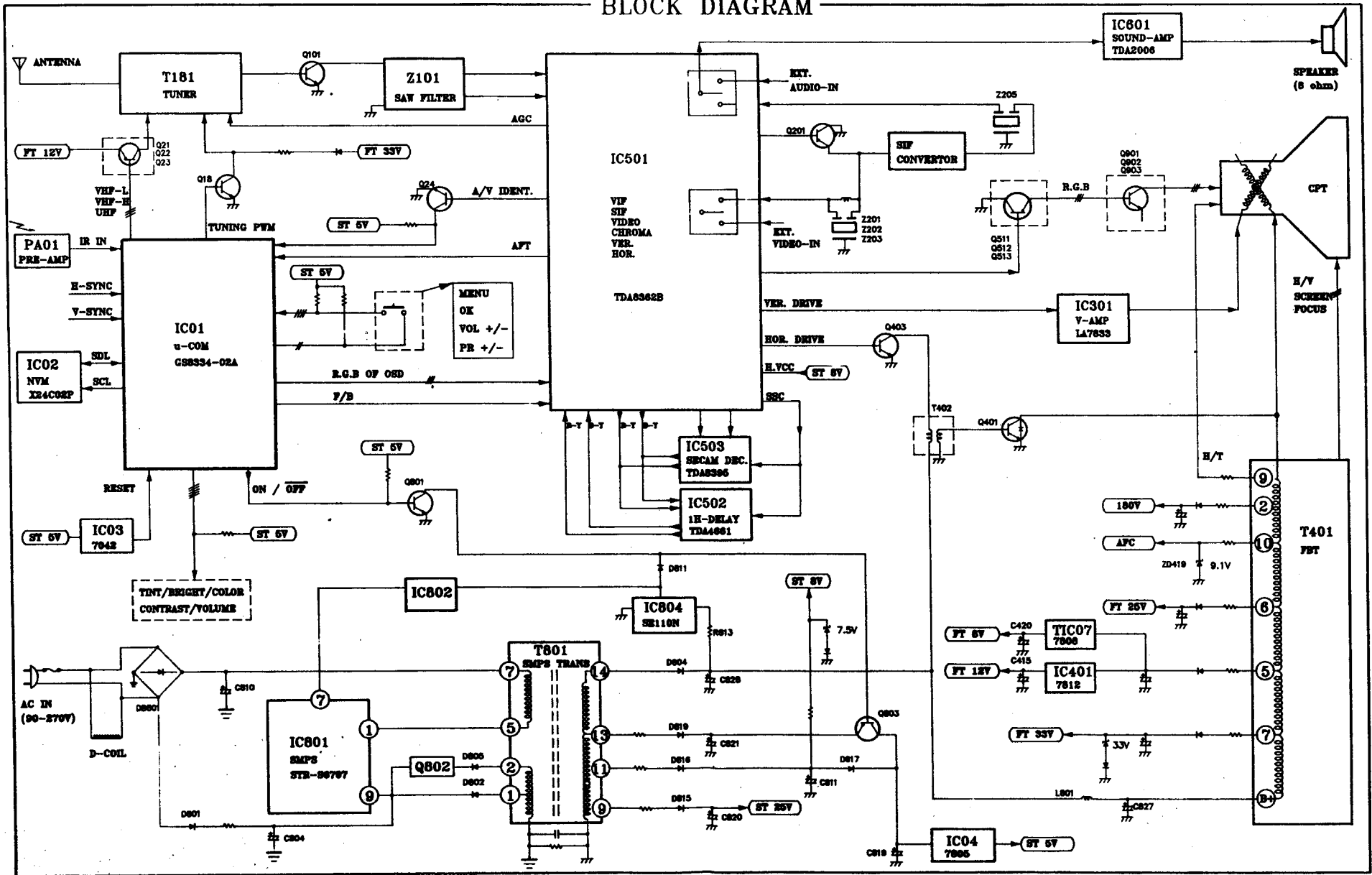
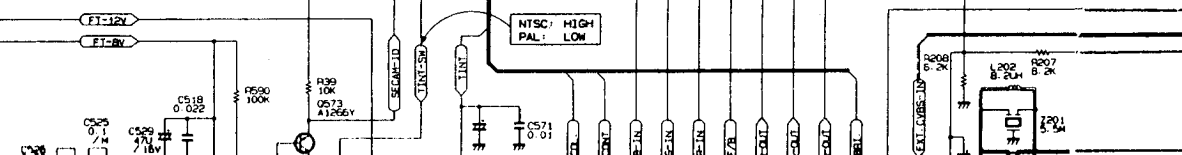
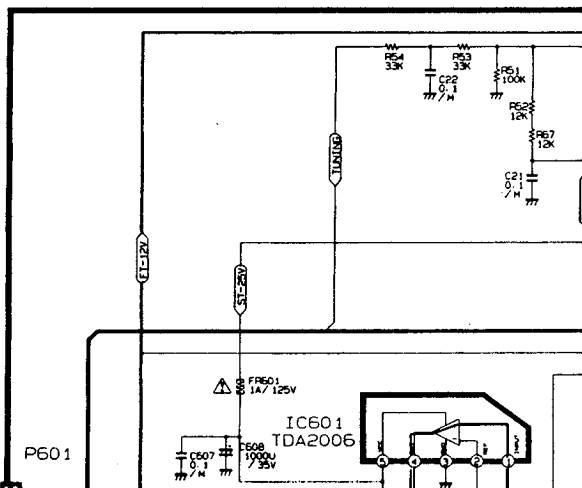
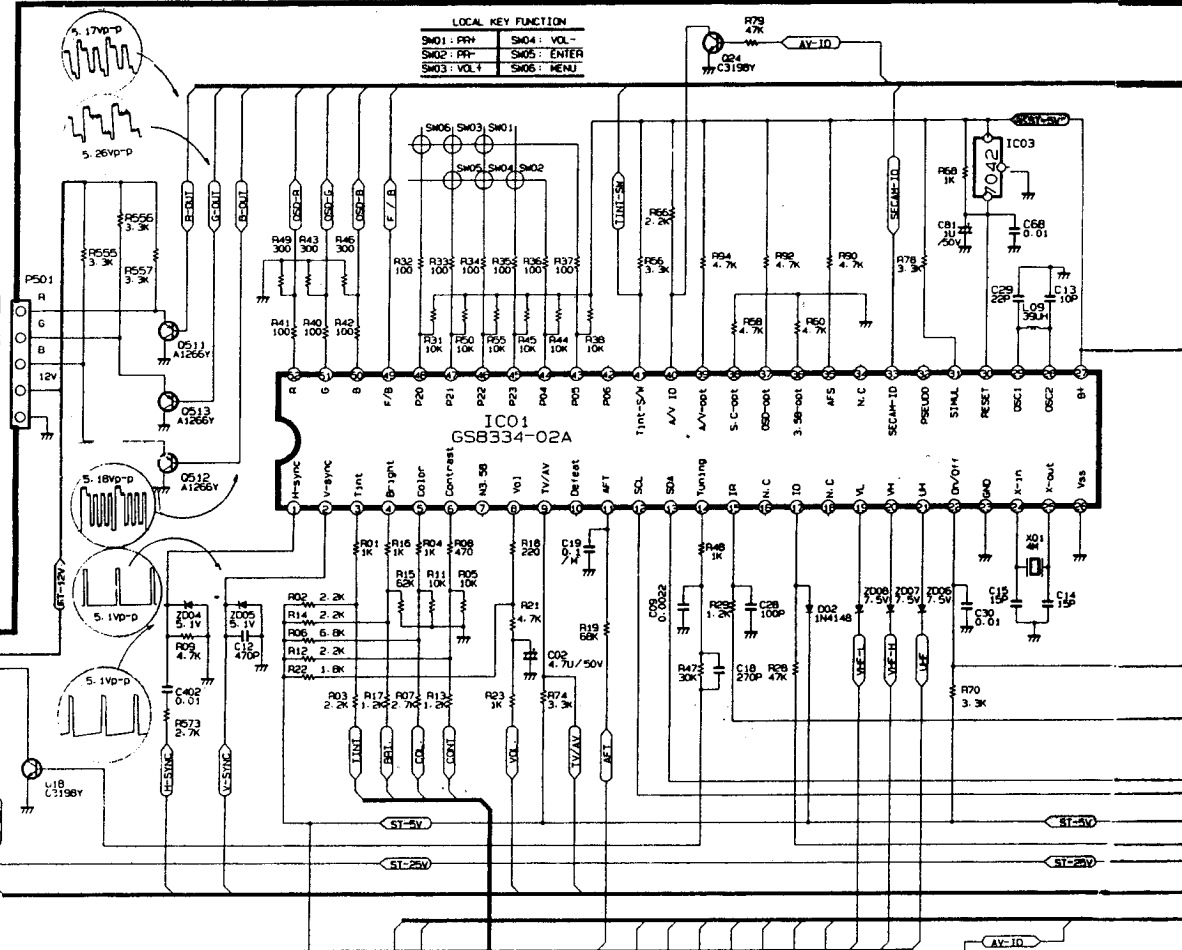
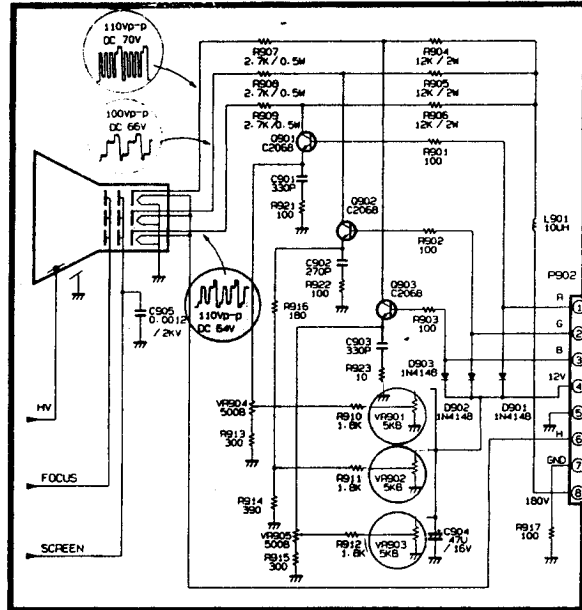


# BLOCK DIAGRAM

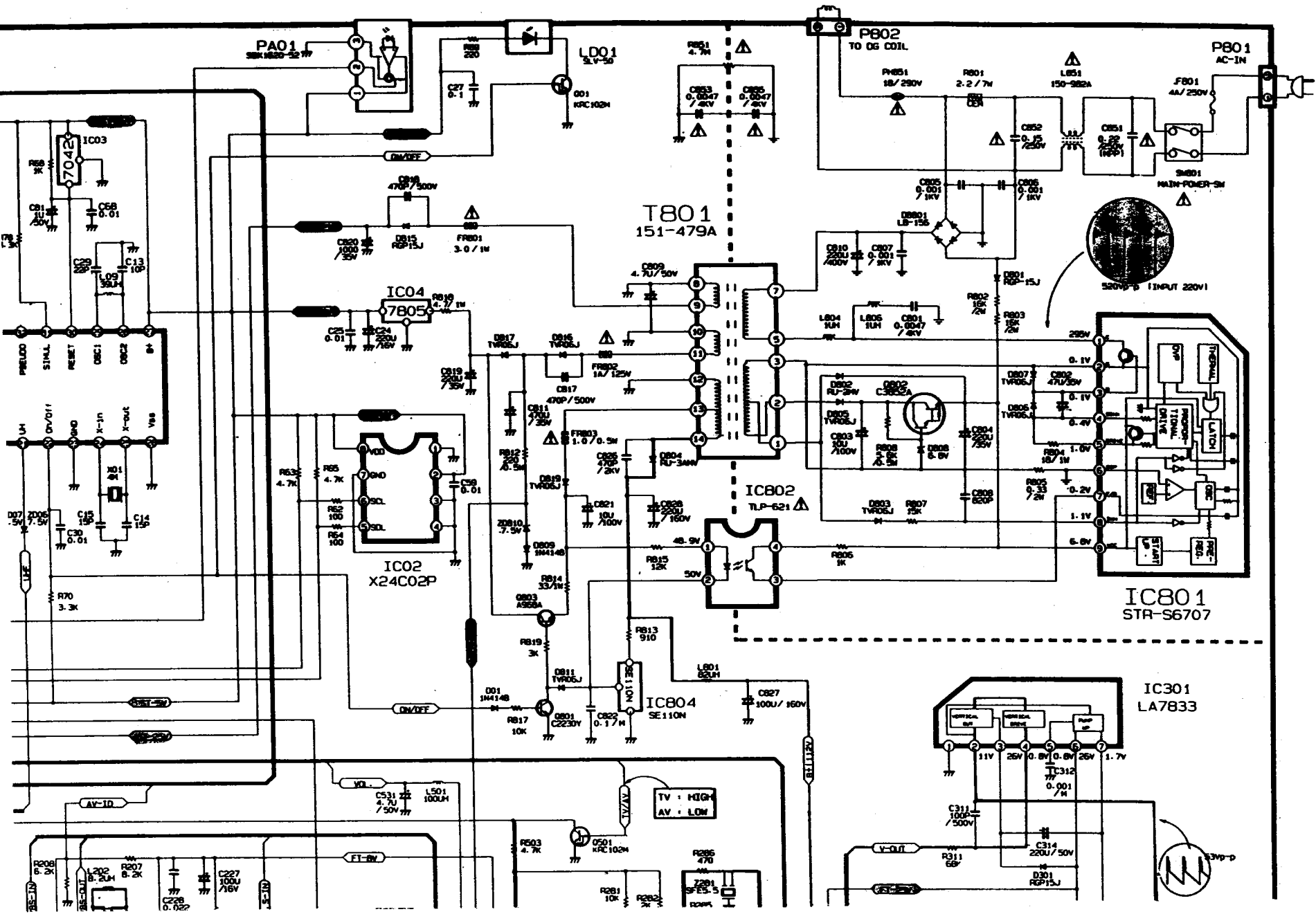


# SCHEMATIC DIAGRAM

# Service Sheet of MC-34A chassis







PA01  
SEK1622-22

LDO1  
5V-50

T801  
151-479A

P802  
TO OG COIL

P801  
AC-IN

IC03  
7042

IC04  
7805

IC02  
X24C02P

IC802  
TLP-621

IC801  
STR-S6707

IC804  
SE110M

IC301  
LA7833

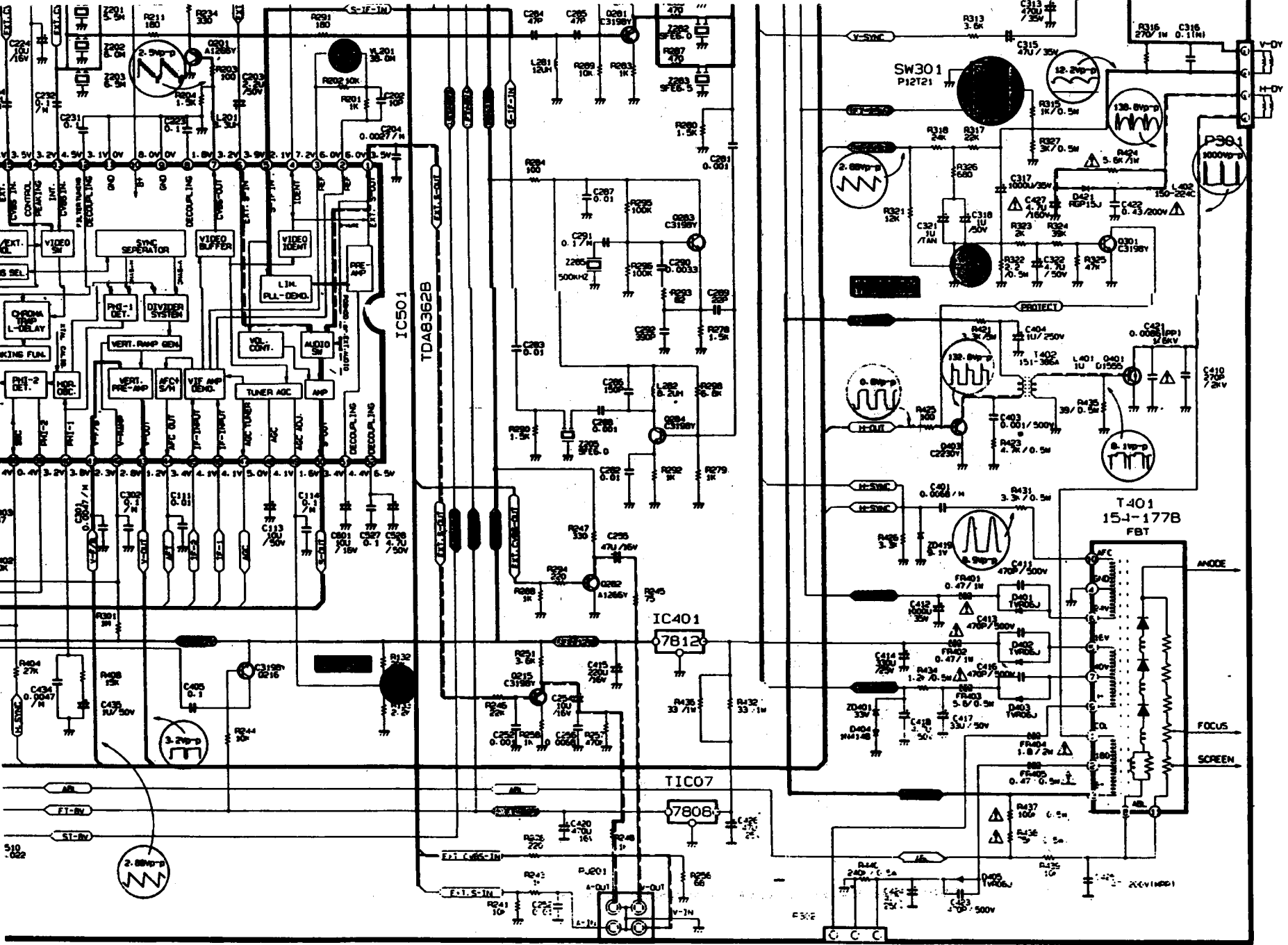


250V 50Hz INPUT 220V1

TV - HIGH  
AV - LOW



3.3V-D



# EXPLODED VIEW

