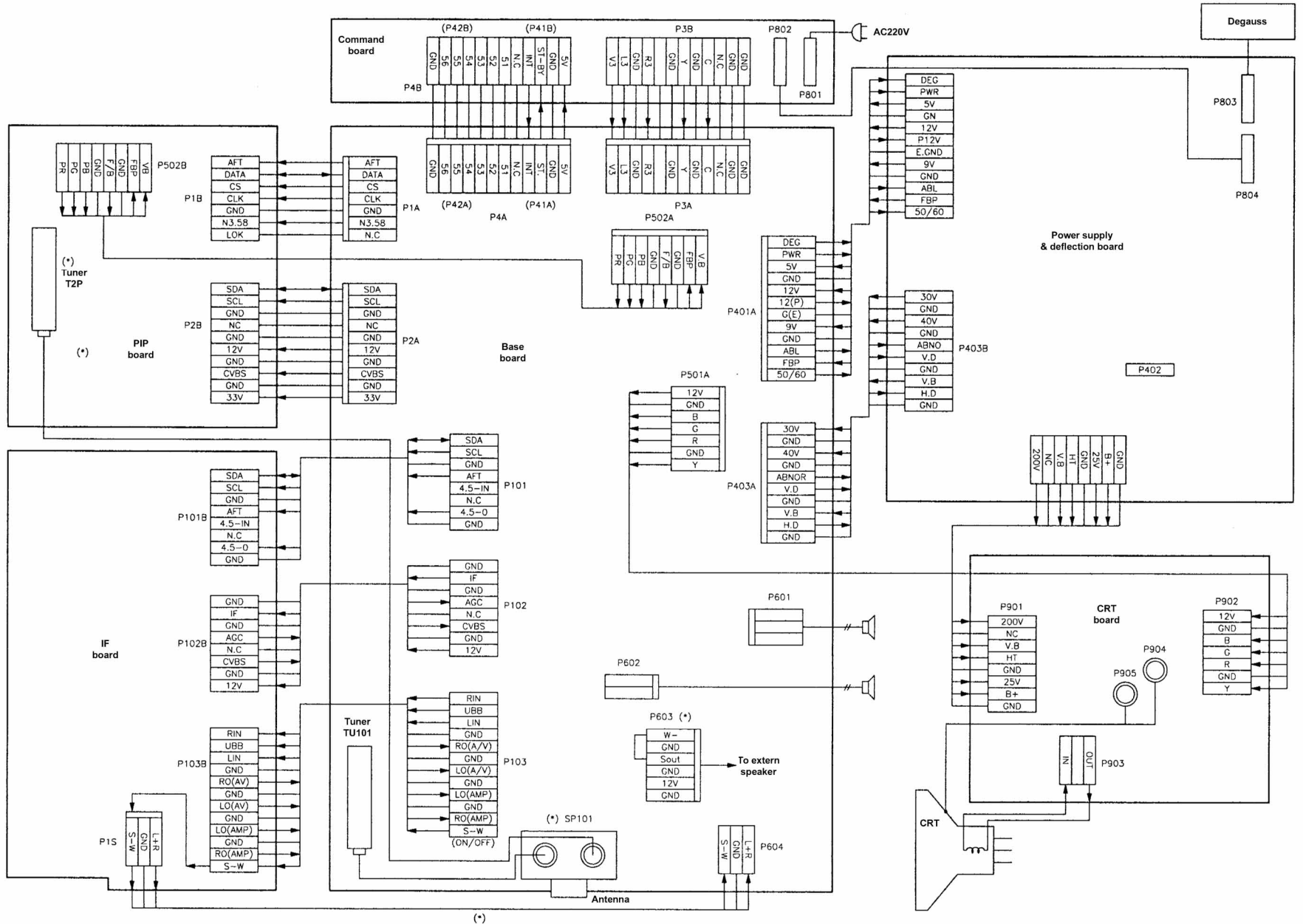
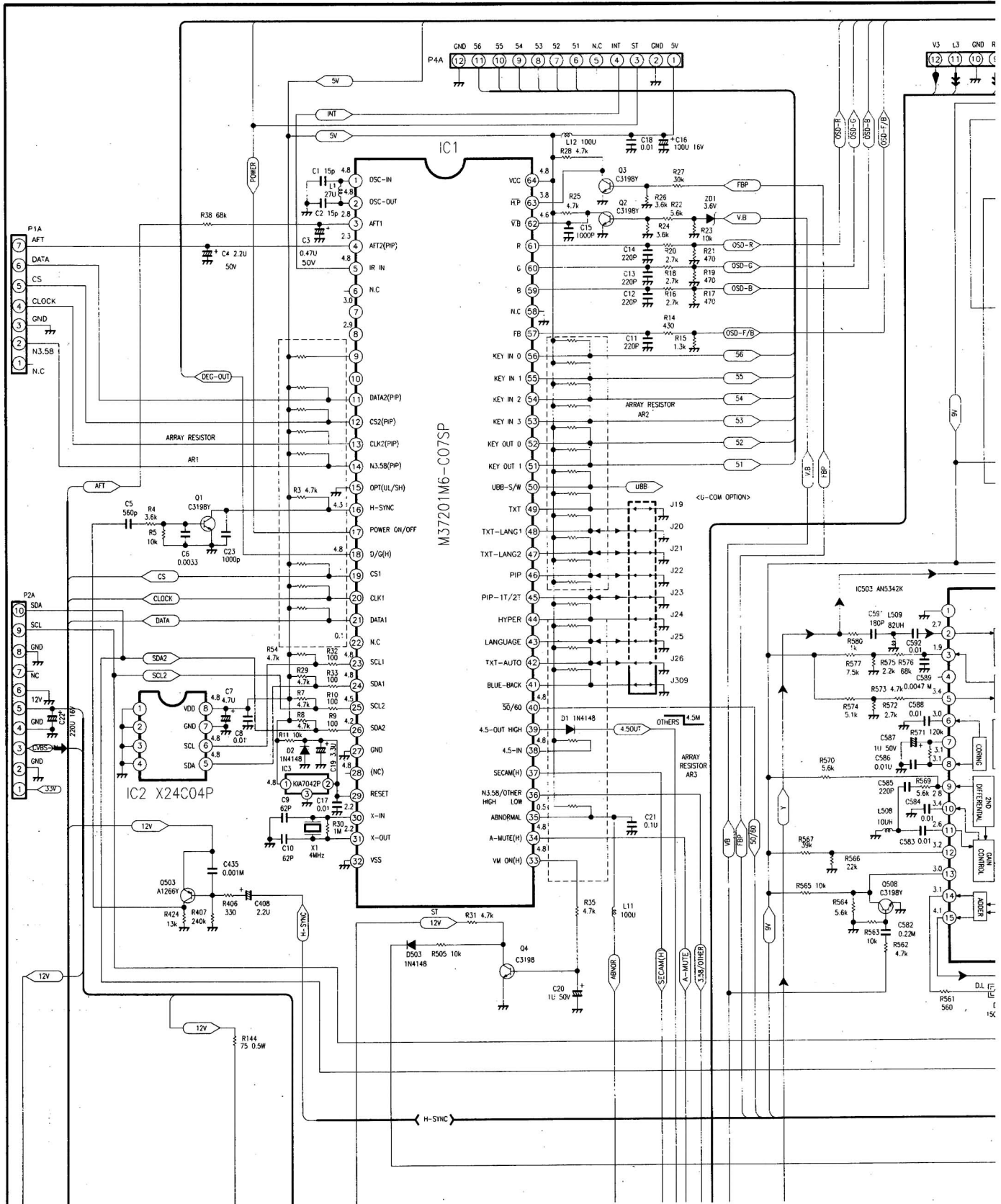
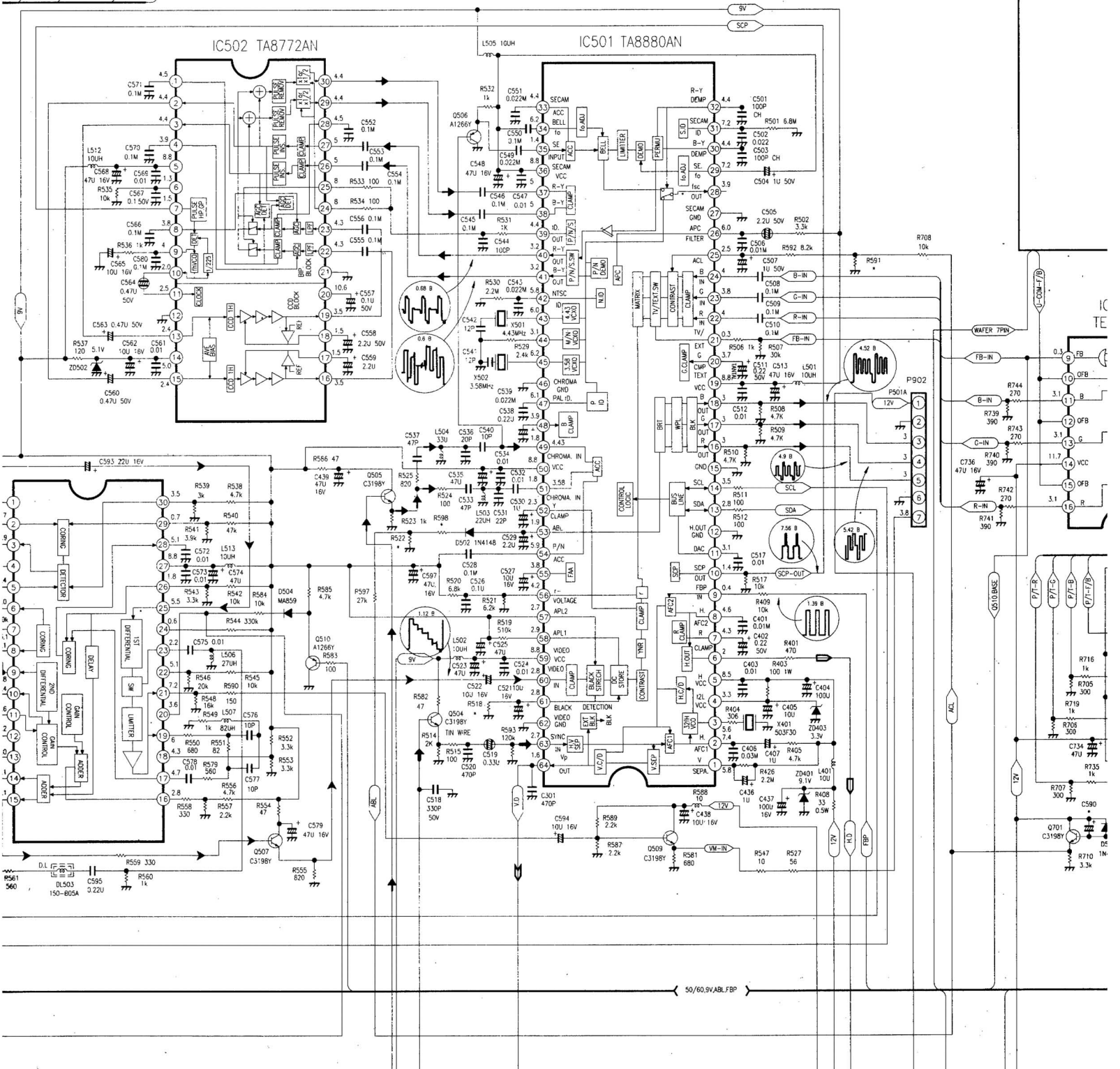


Gold Star (LG) MC-51A chassis

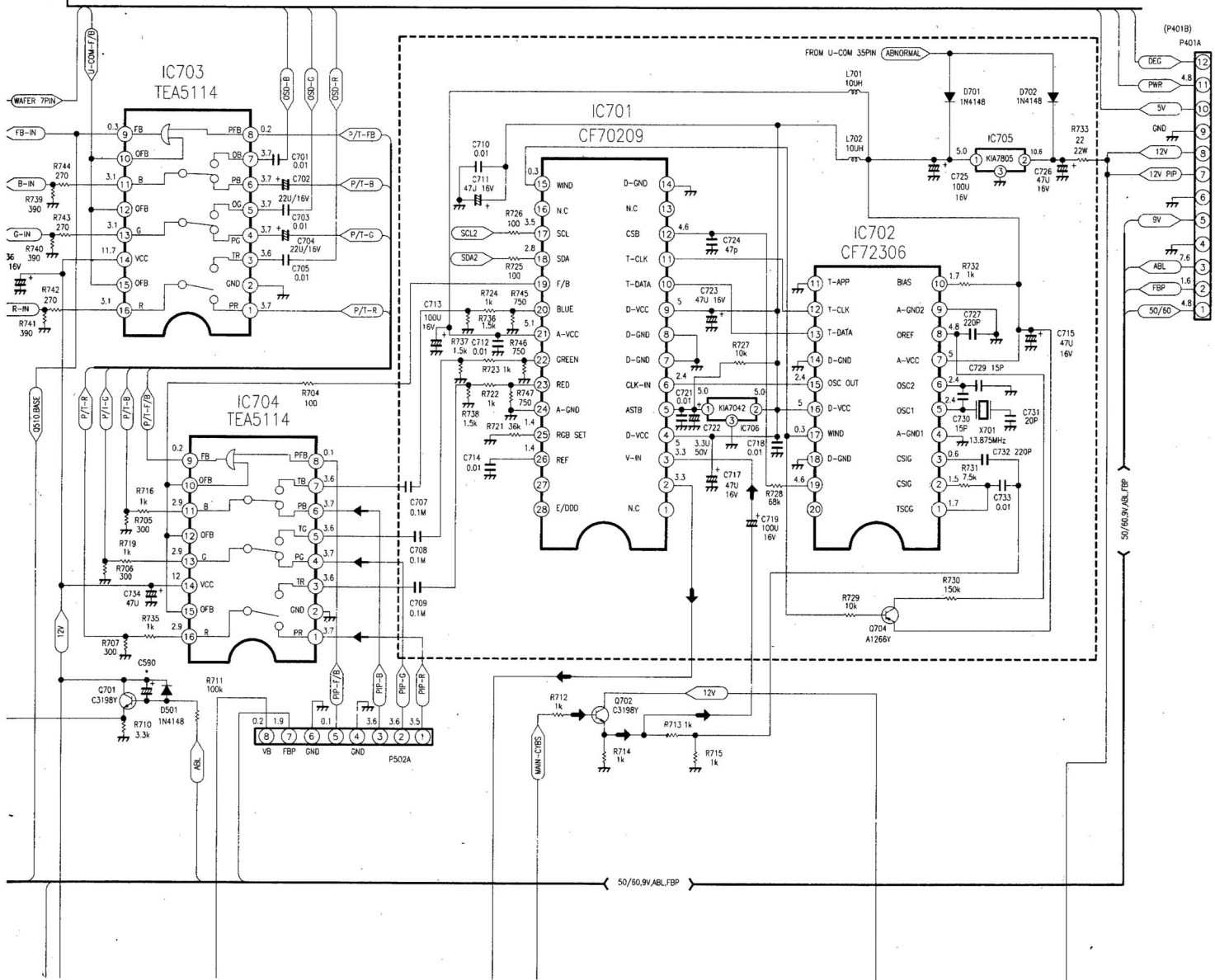


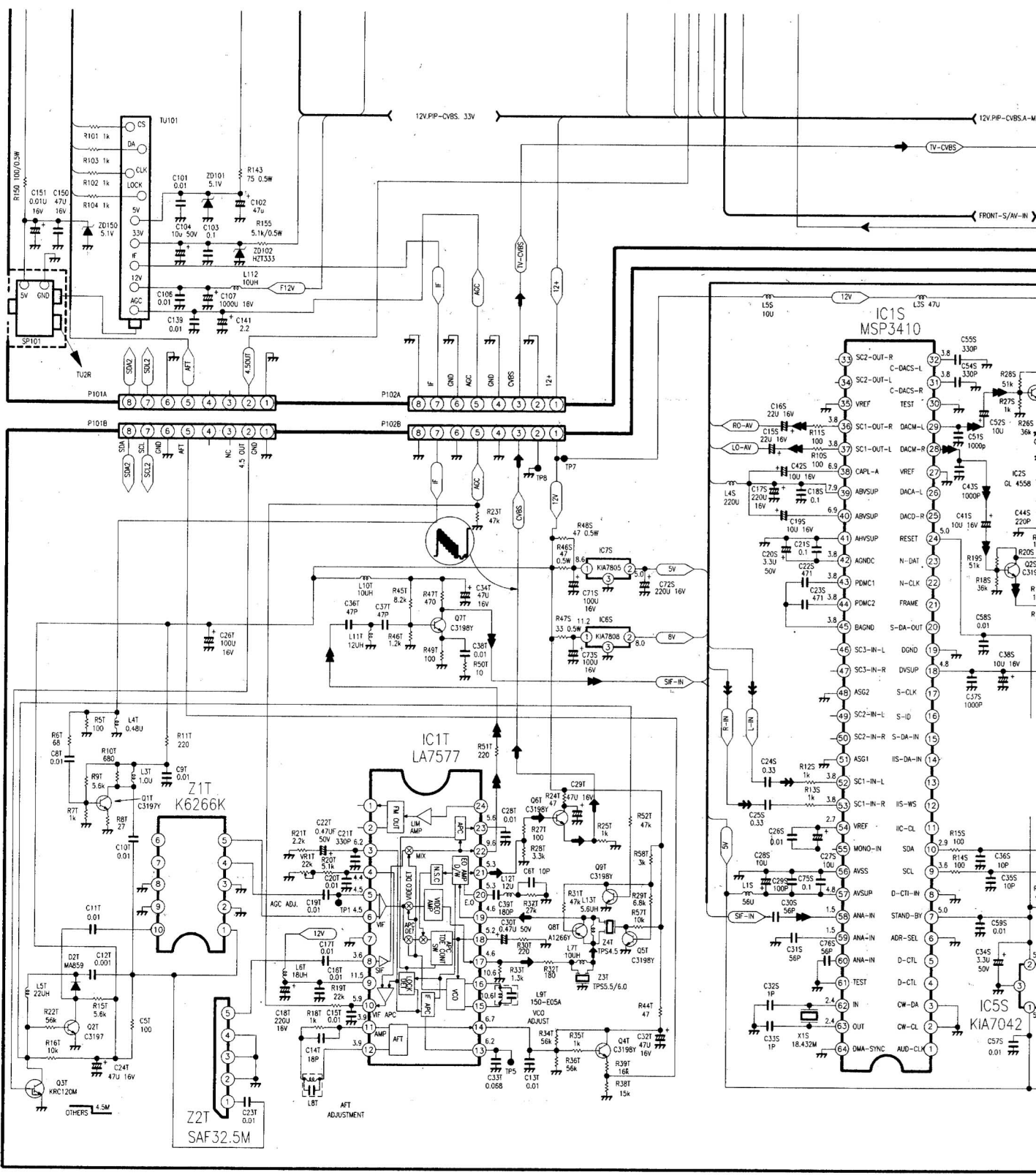


3 L3 GND R3 S3 GND Y GND C N.C GND GND P3A
 2 (1) (10) (9) (8) (7) (6) (5) (4) (3) (2) (1)



50/60VABL.FBP





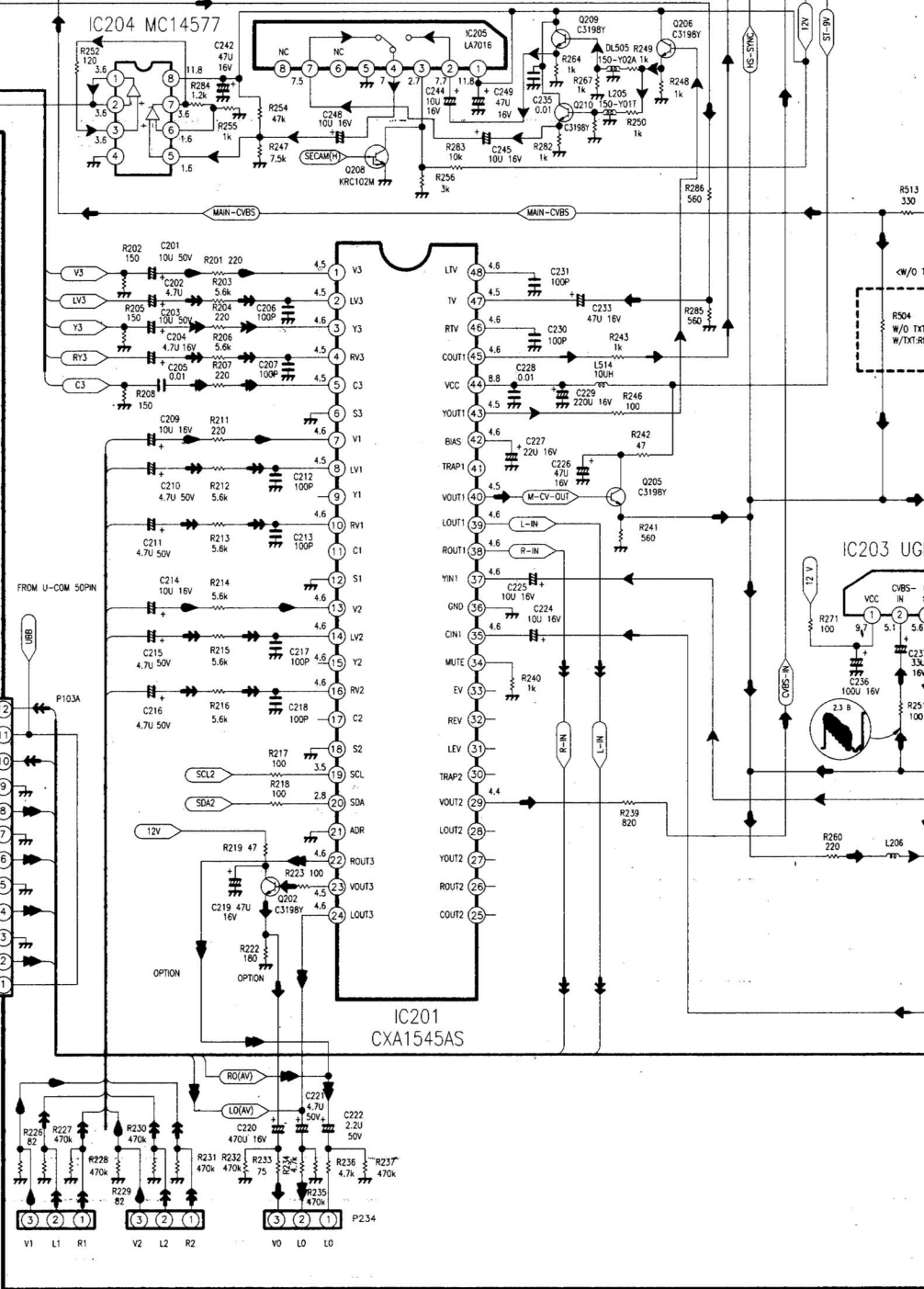
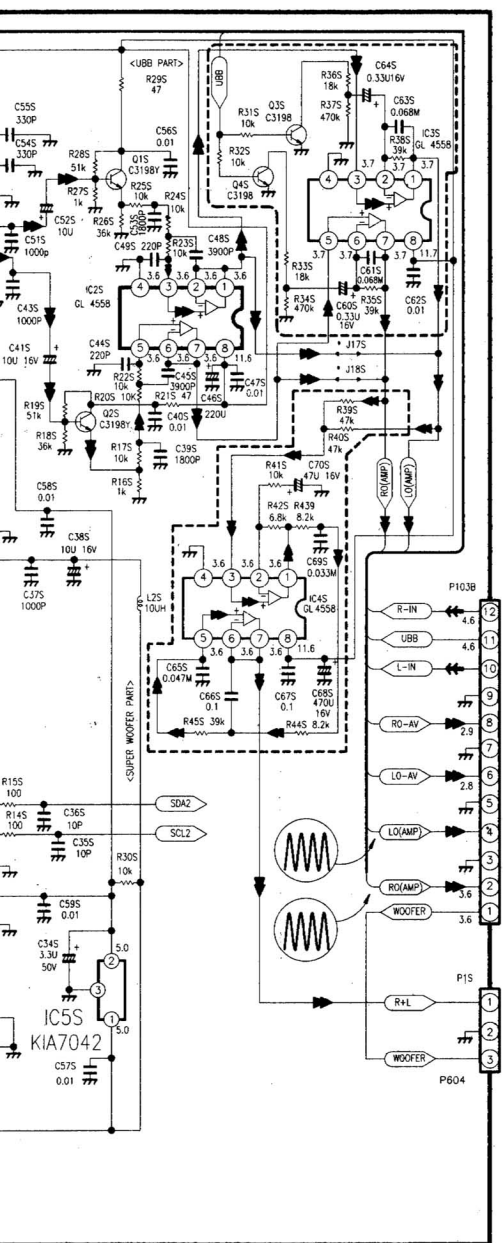
12V PIP-CVBS-A-MUTE-V.B.ABNORMAL-3.58/OTHER

CHROMA

FRONT-S/AV-IN

Y

IC204 MC14577



IC203 UGL

CVBS-C

VCC IN

CVBS-IN

12V

2.3 B

CVBS-OUT

CVBS-OUT

CVBS-OUT

CVBS-OUT

CVBS-OUT

CVBS-OUT

CVBS-OUT

CVBS-OUT

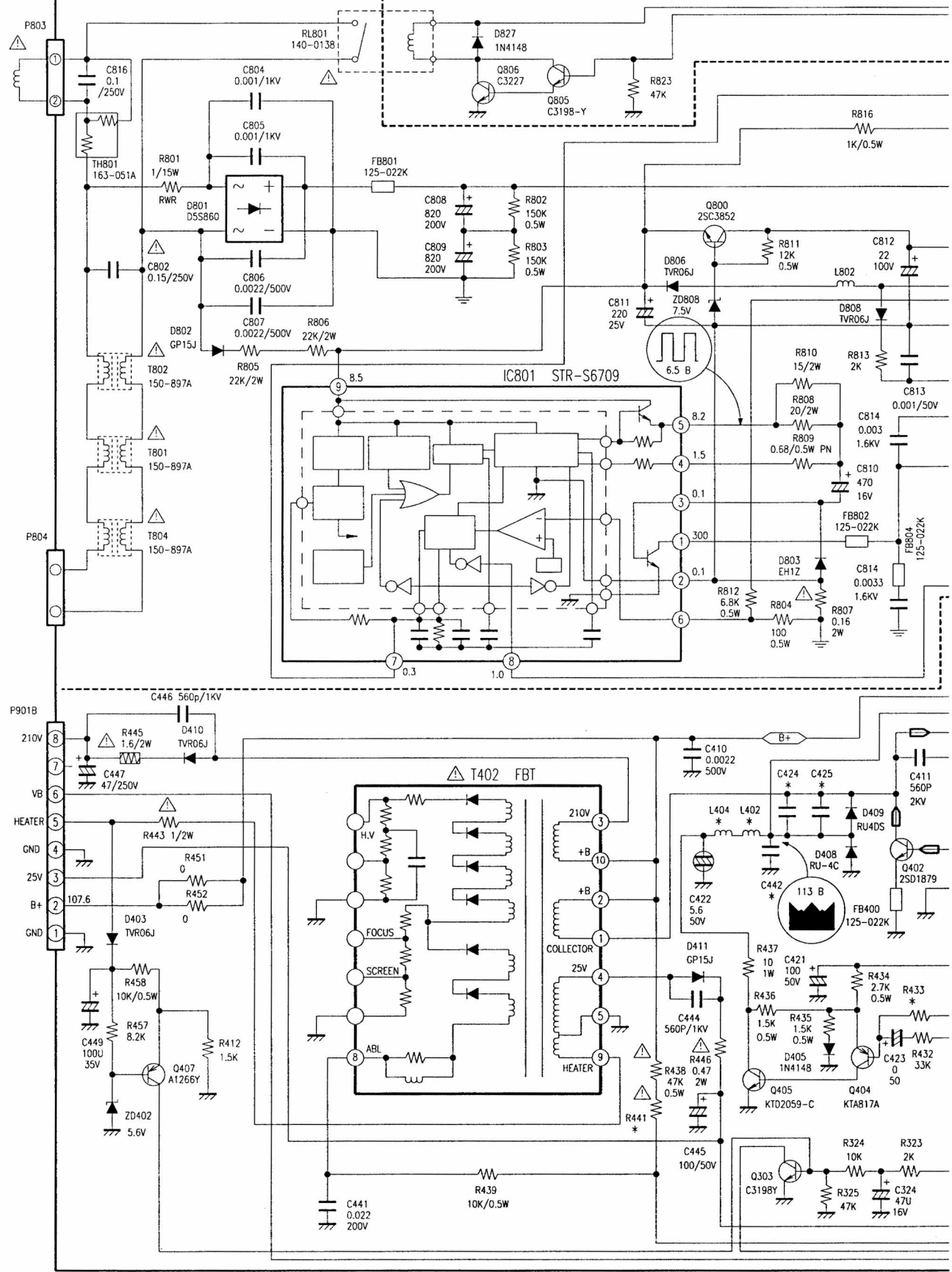
CVBS-OUT

CVBS-OUT

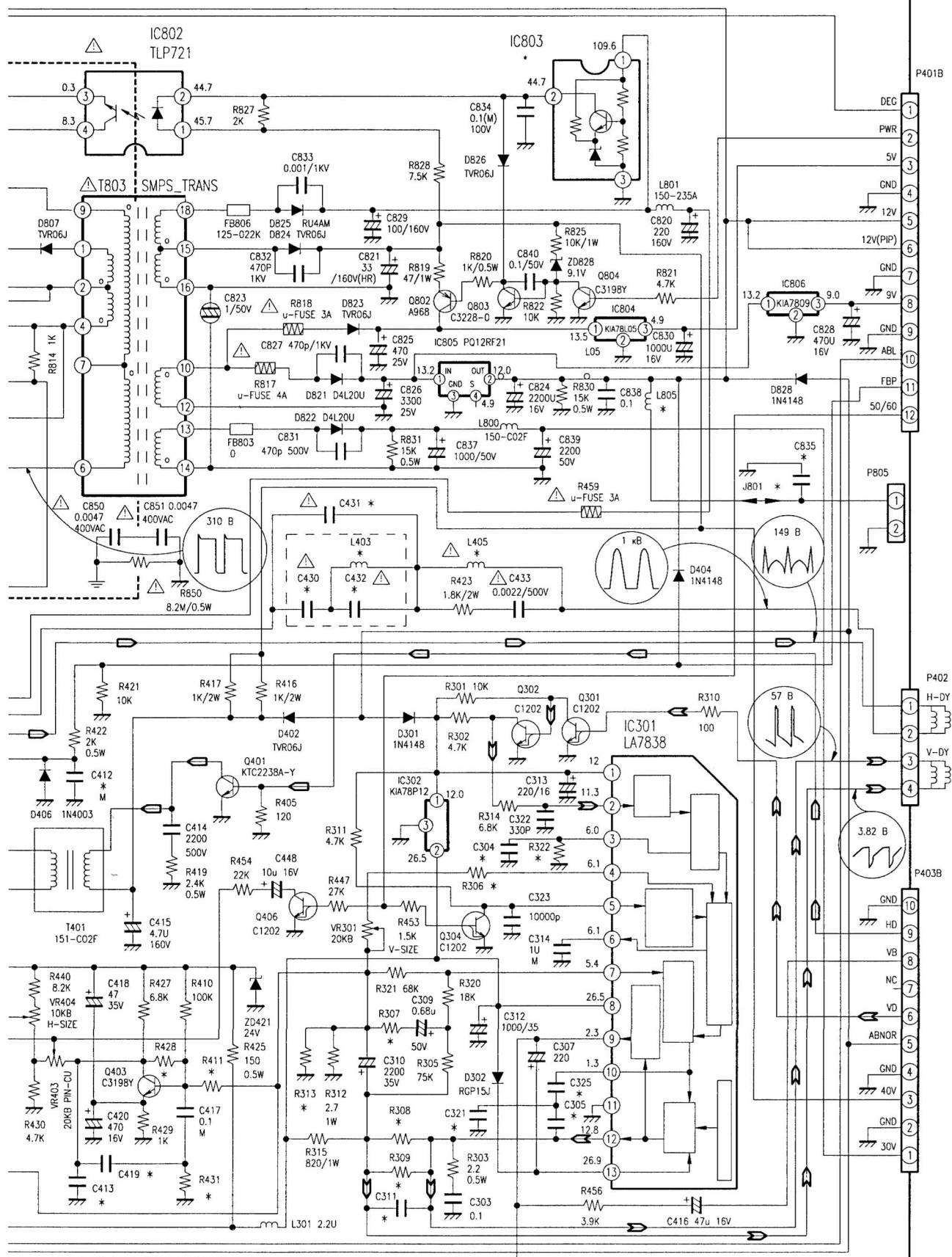
CVBS-OUT

CVBS-OUT

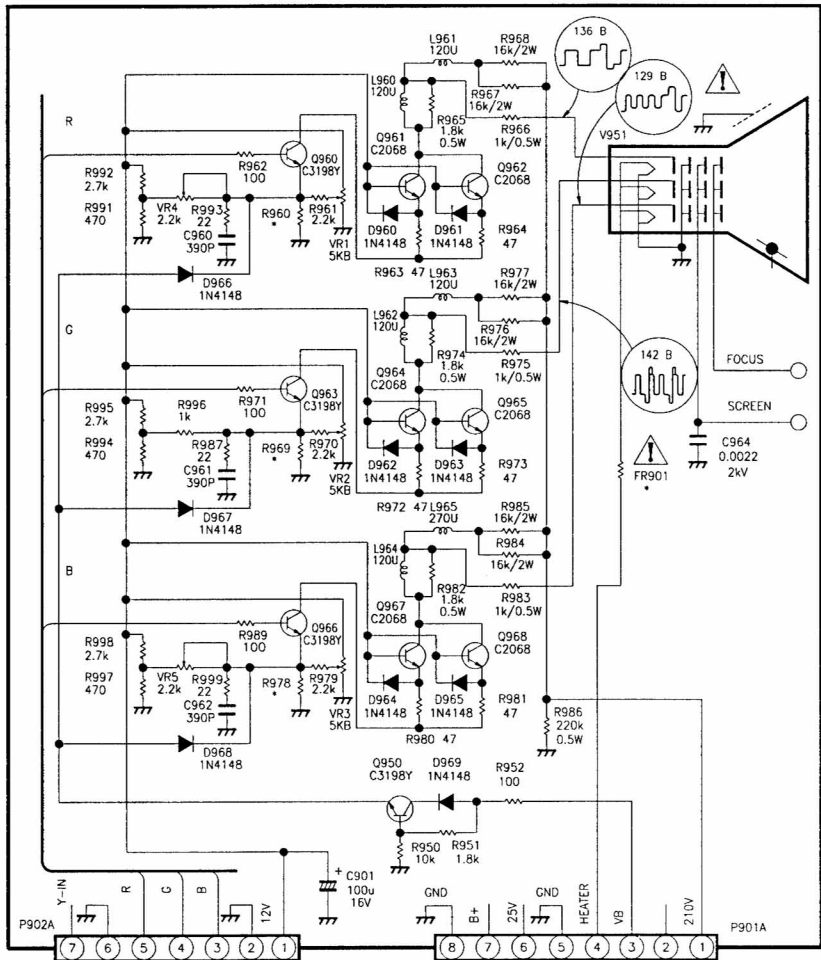
CVBS-OUT

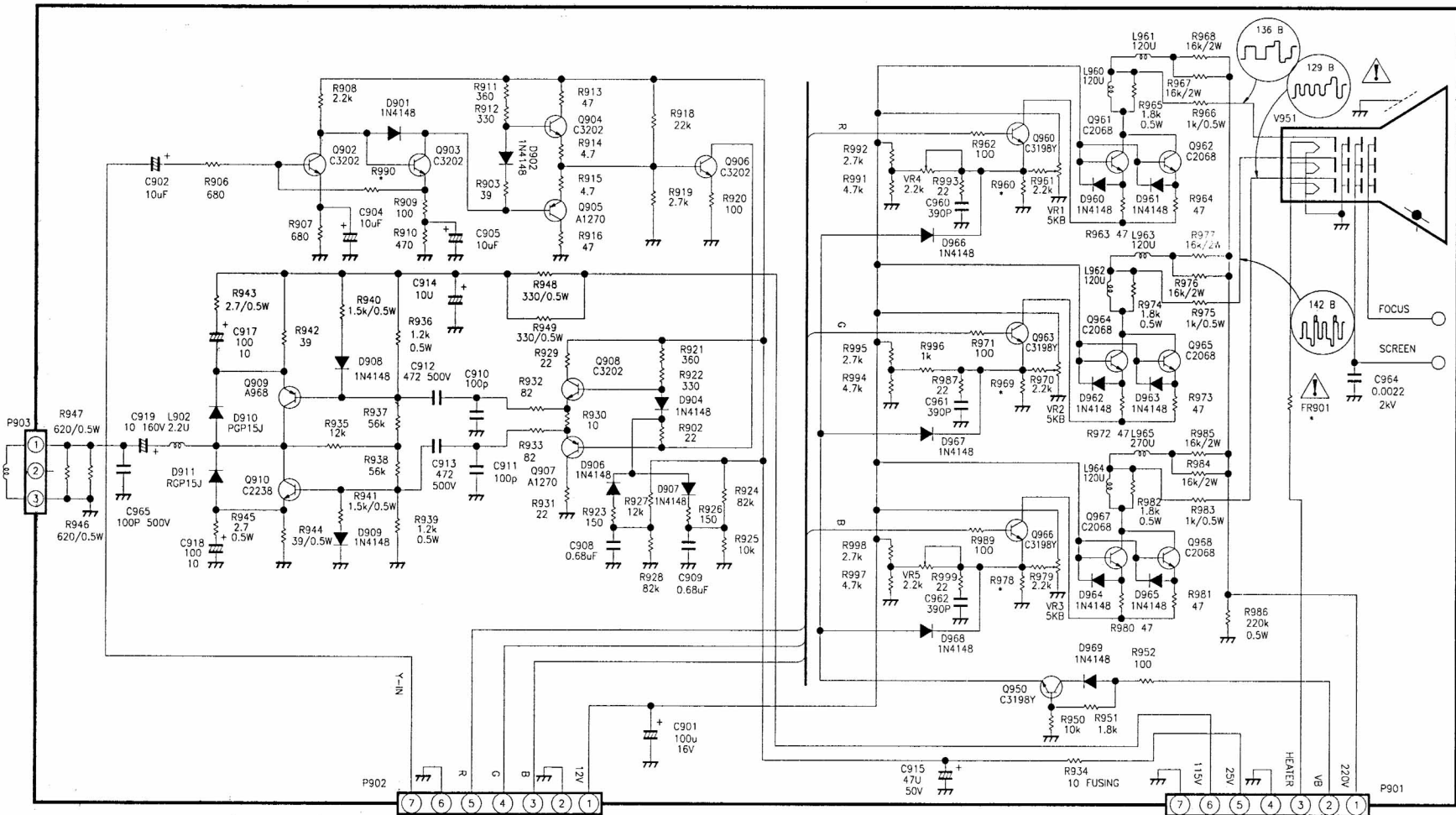


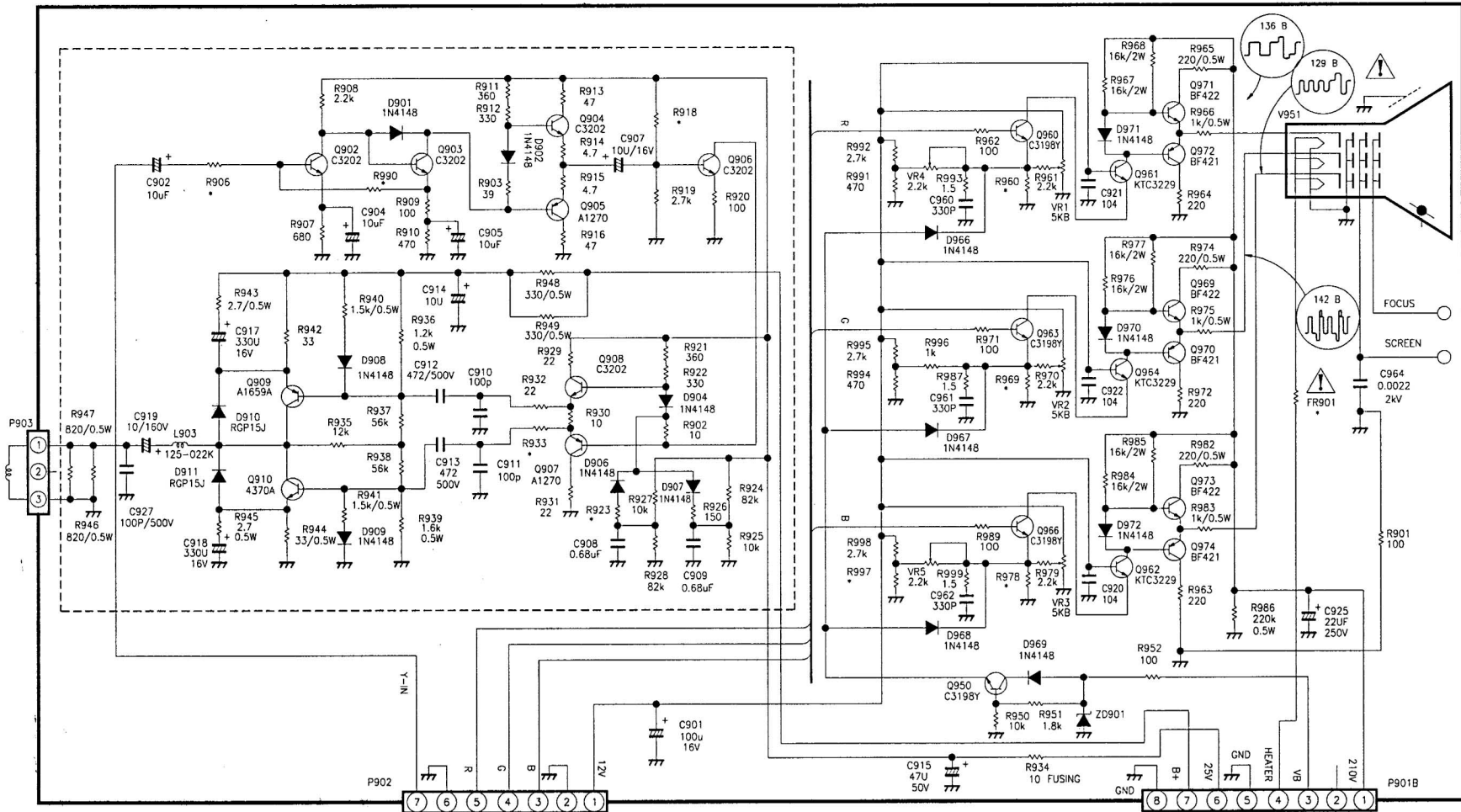
Power supply & deflection board(1)

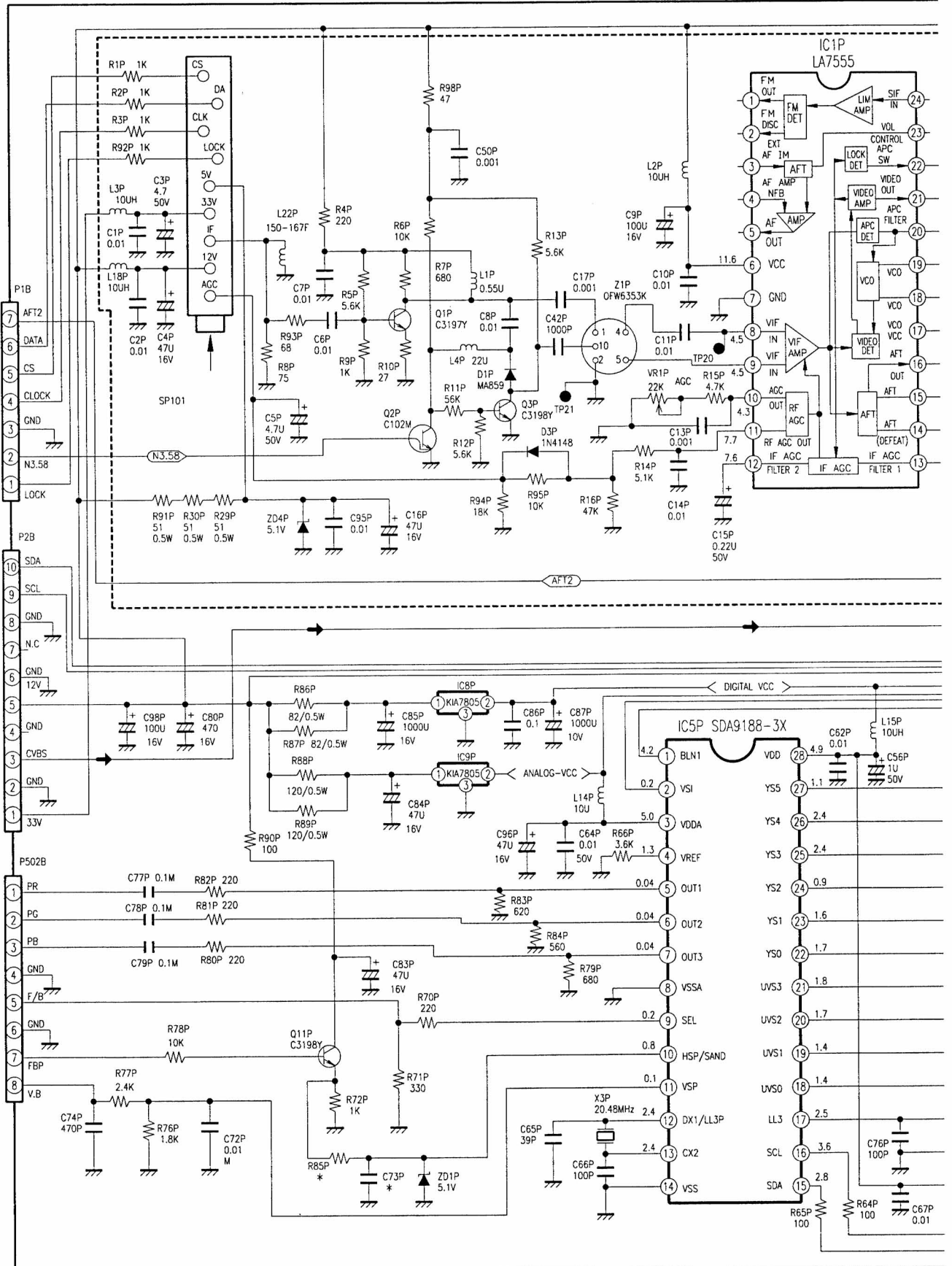


Power supply & deflection board(2)

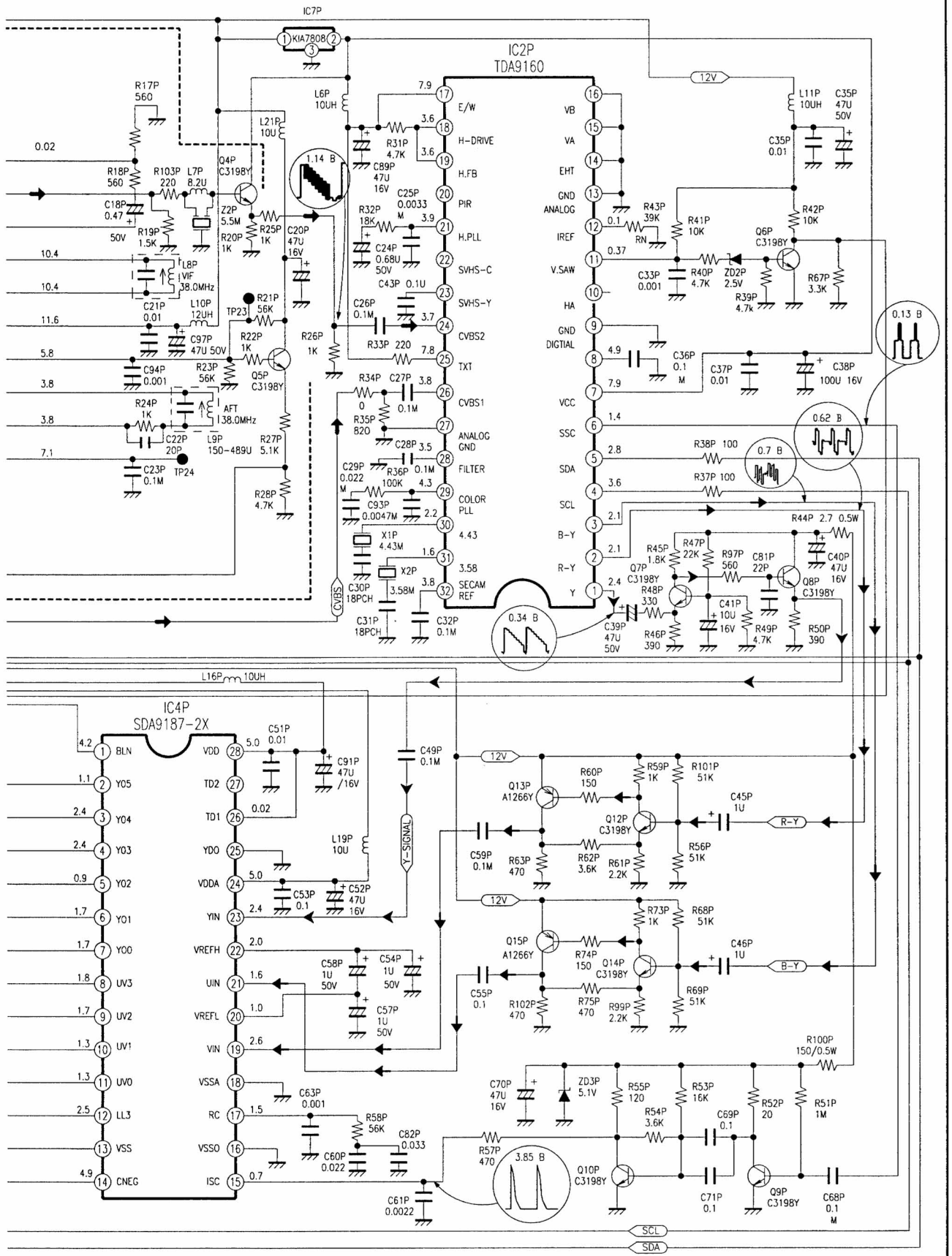




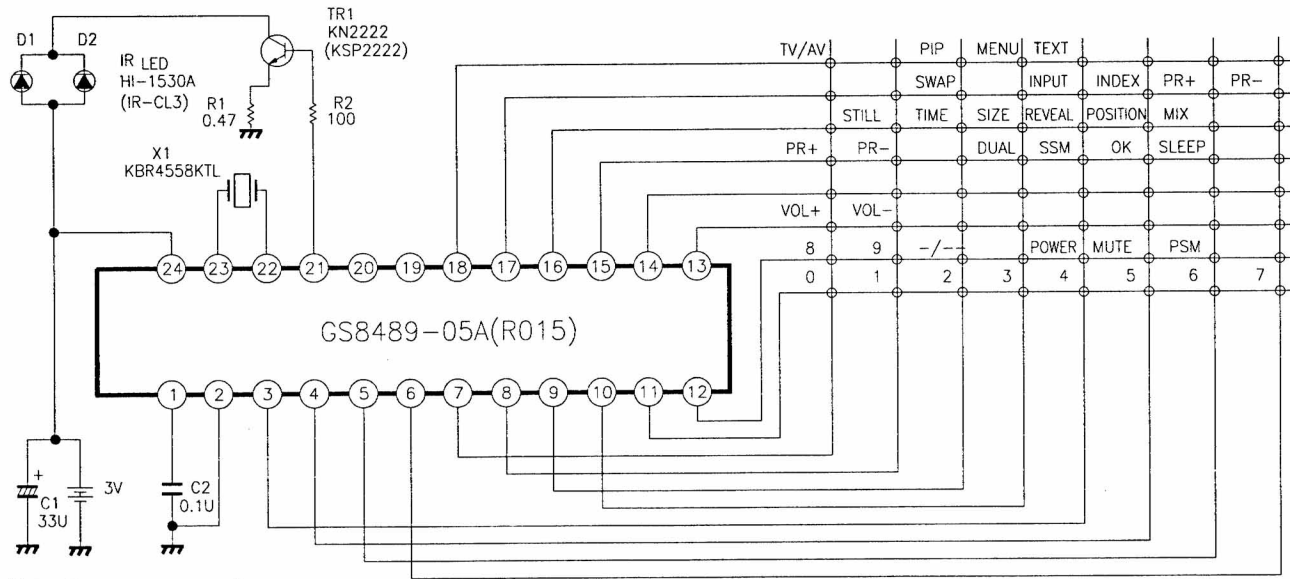




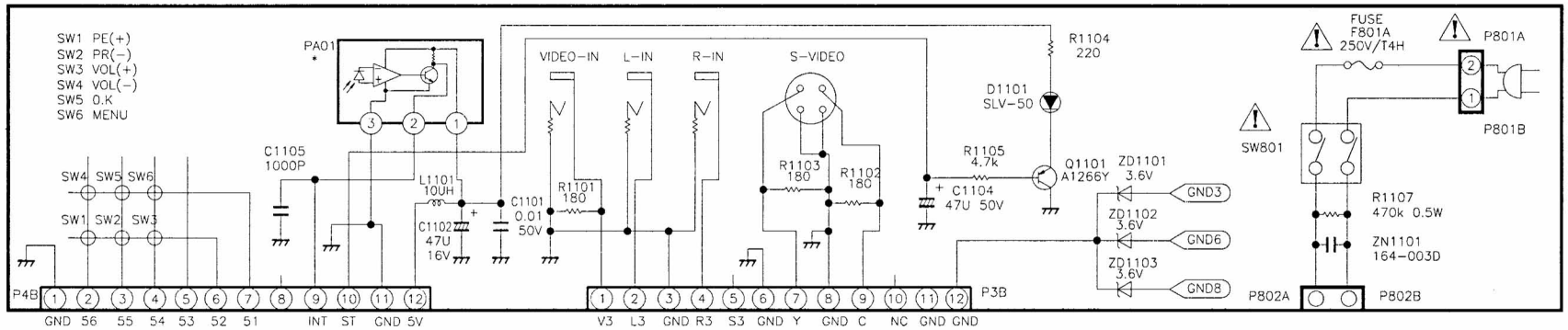
PIP module (1)



PIP module (2)



IR Command



Command module