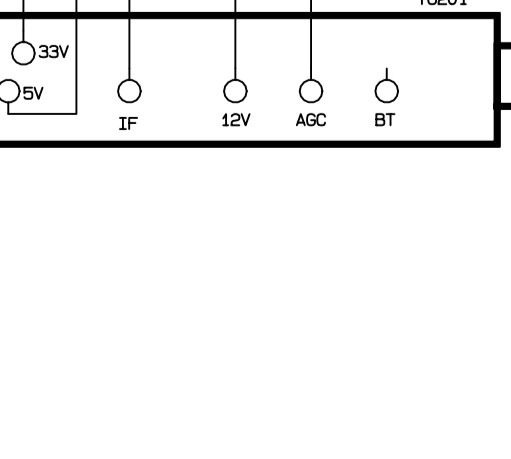
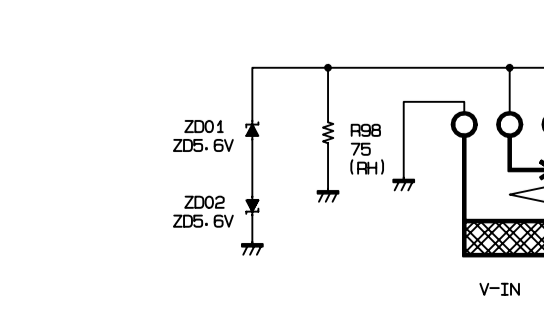
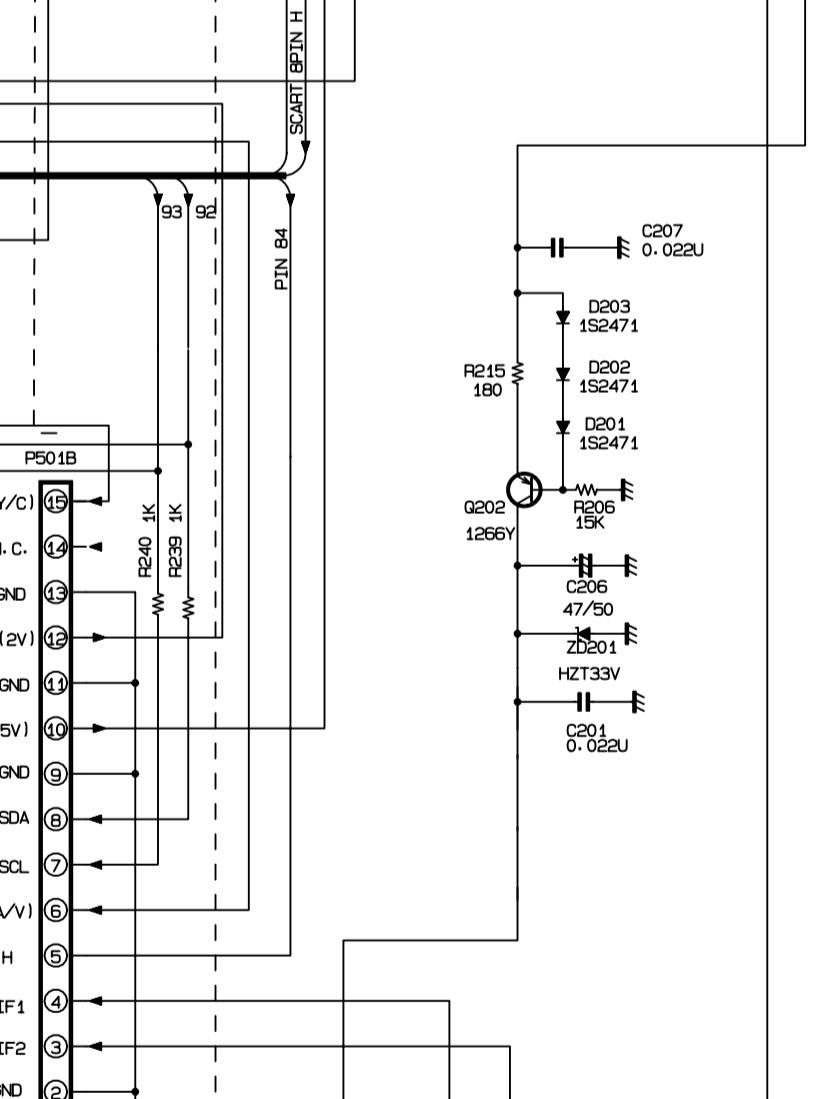
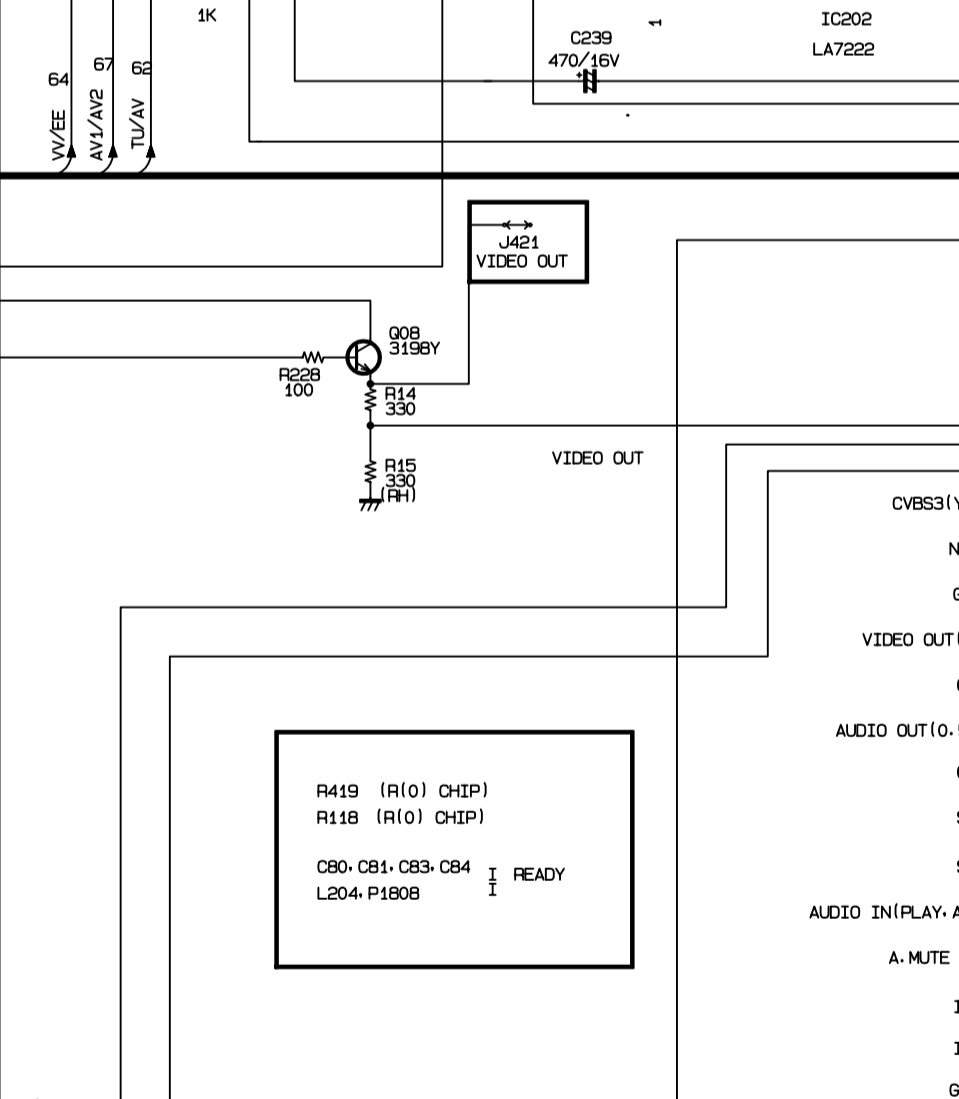
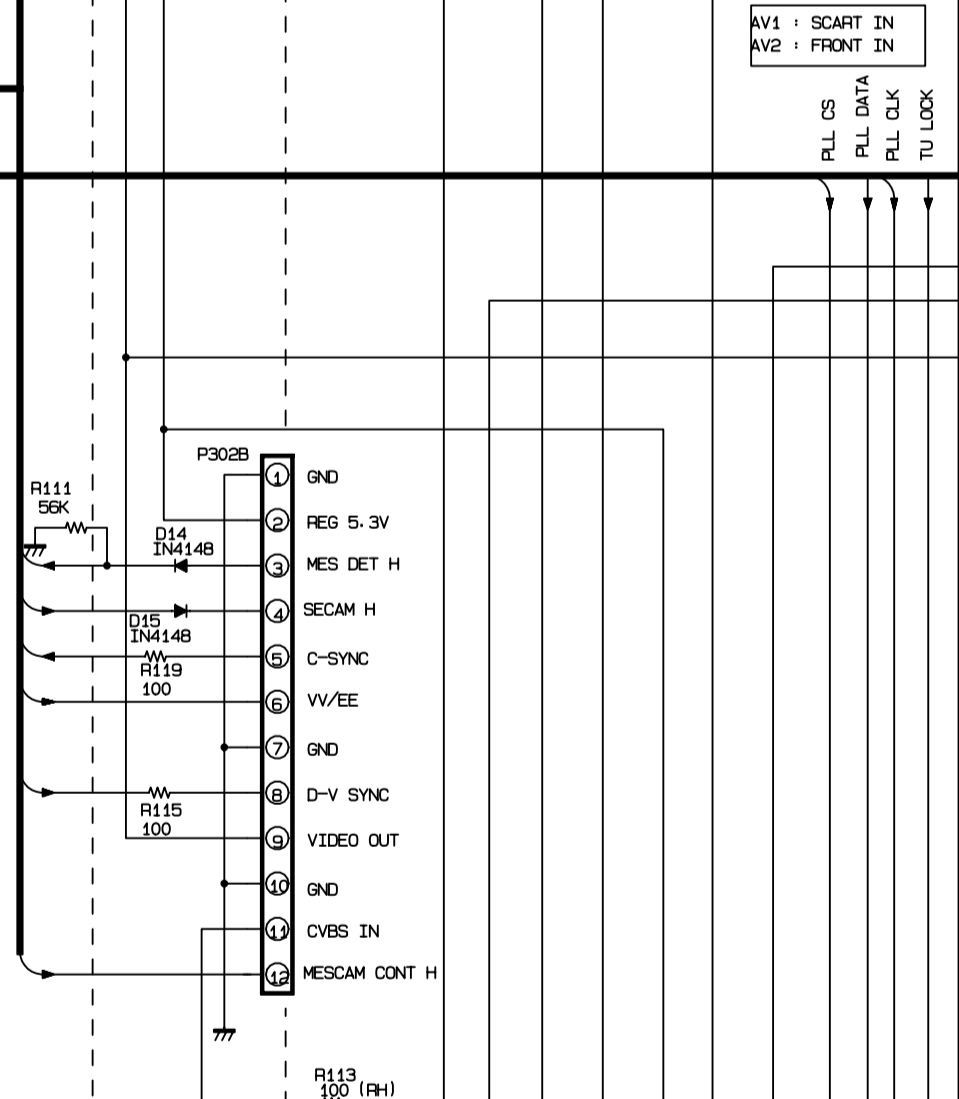
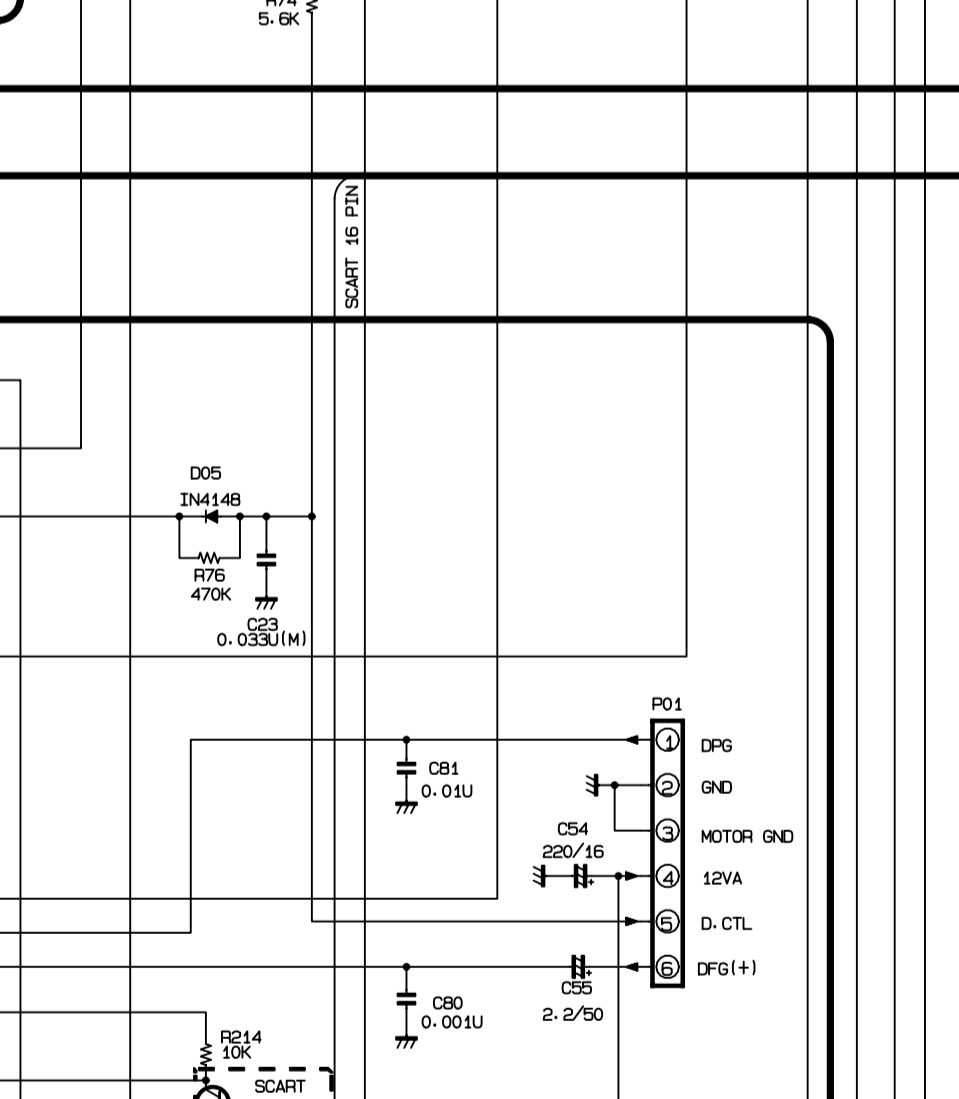
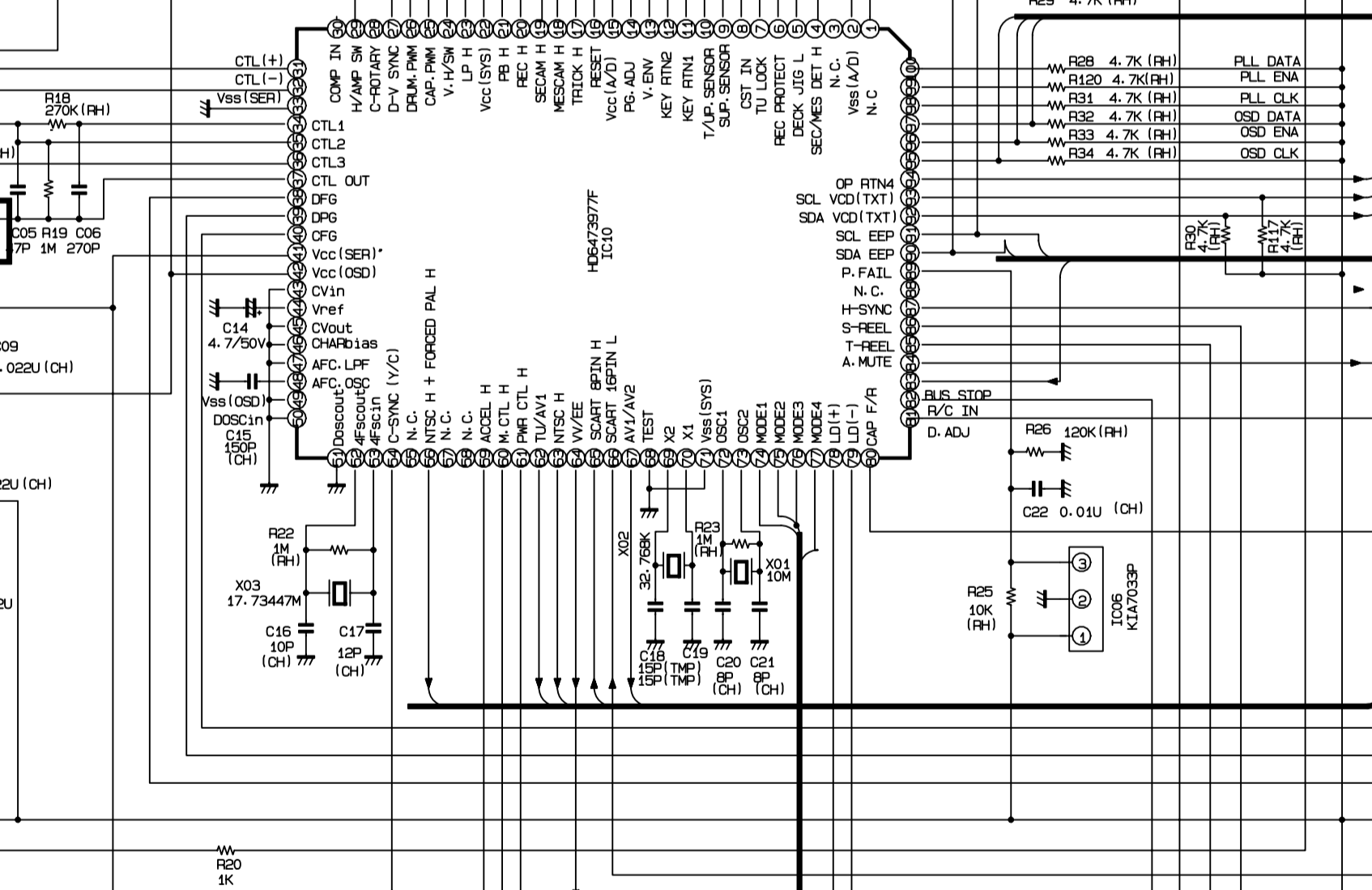
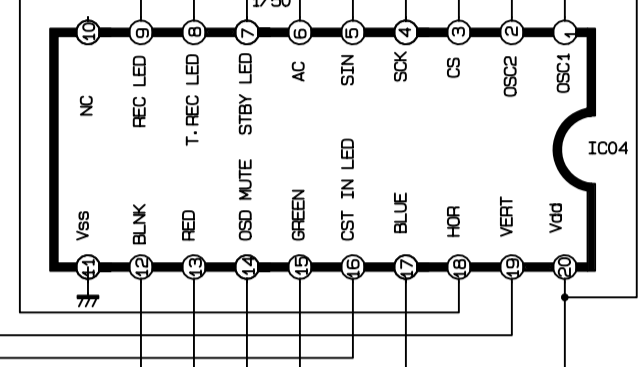


OPTION

CIR NO	OPTION	ACTIVE
D06	4HD	D
D07	HYPER	D
D08	ENG-ONLY	D
D09	SECAM PB	D
D10	MESS-UP	D
D11	SCART	D



MV-64A MAIN2 SCHEMATIC DIAGRAM

NOTICE
 Since this is a basic schematic diagram, the value of components and some partial connection are subject to change for improvement.

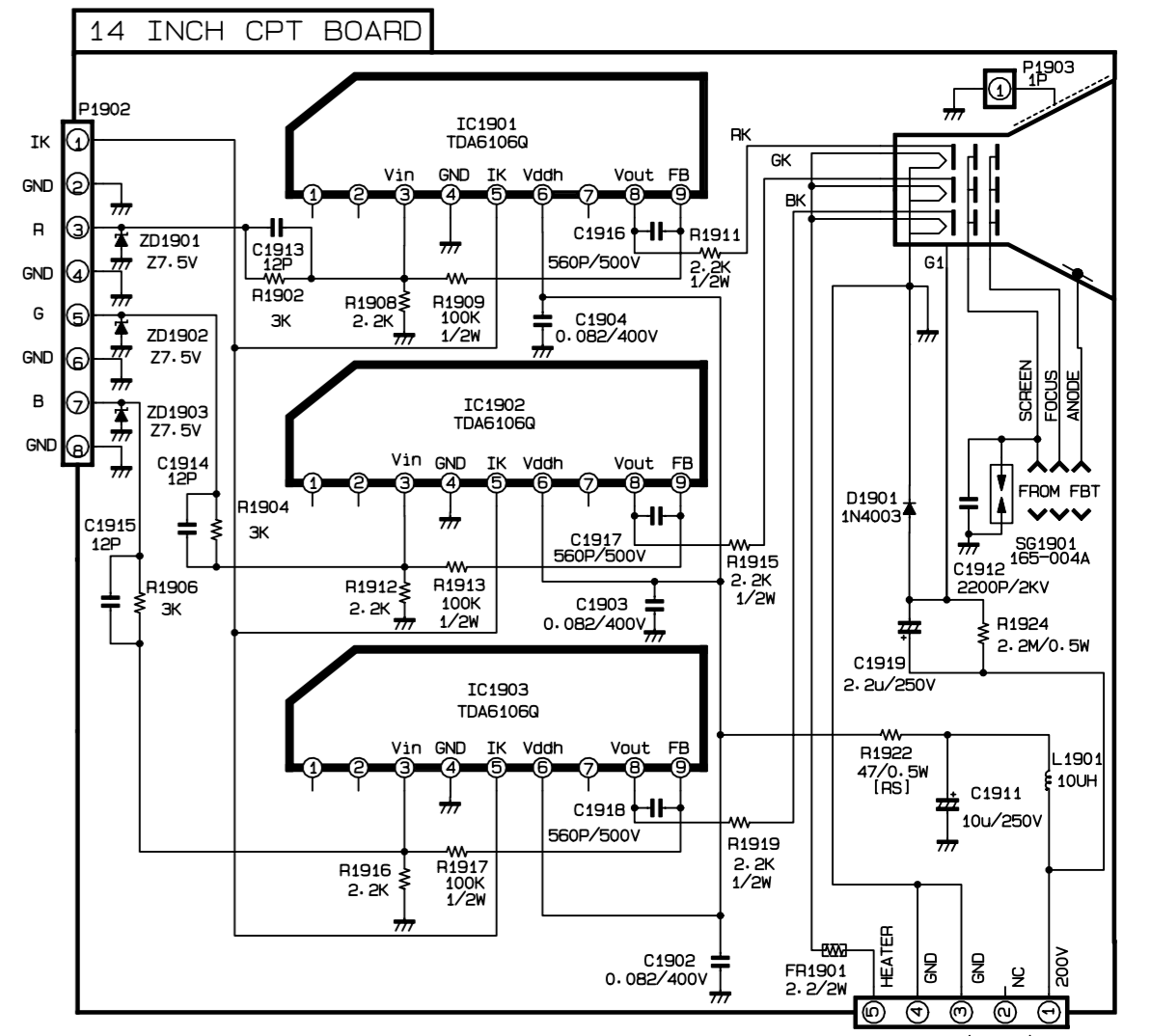
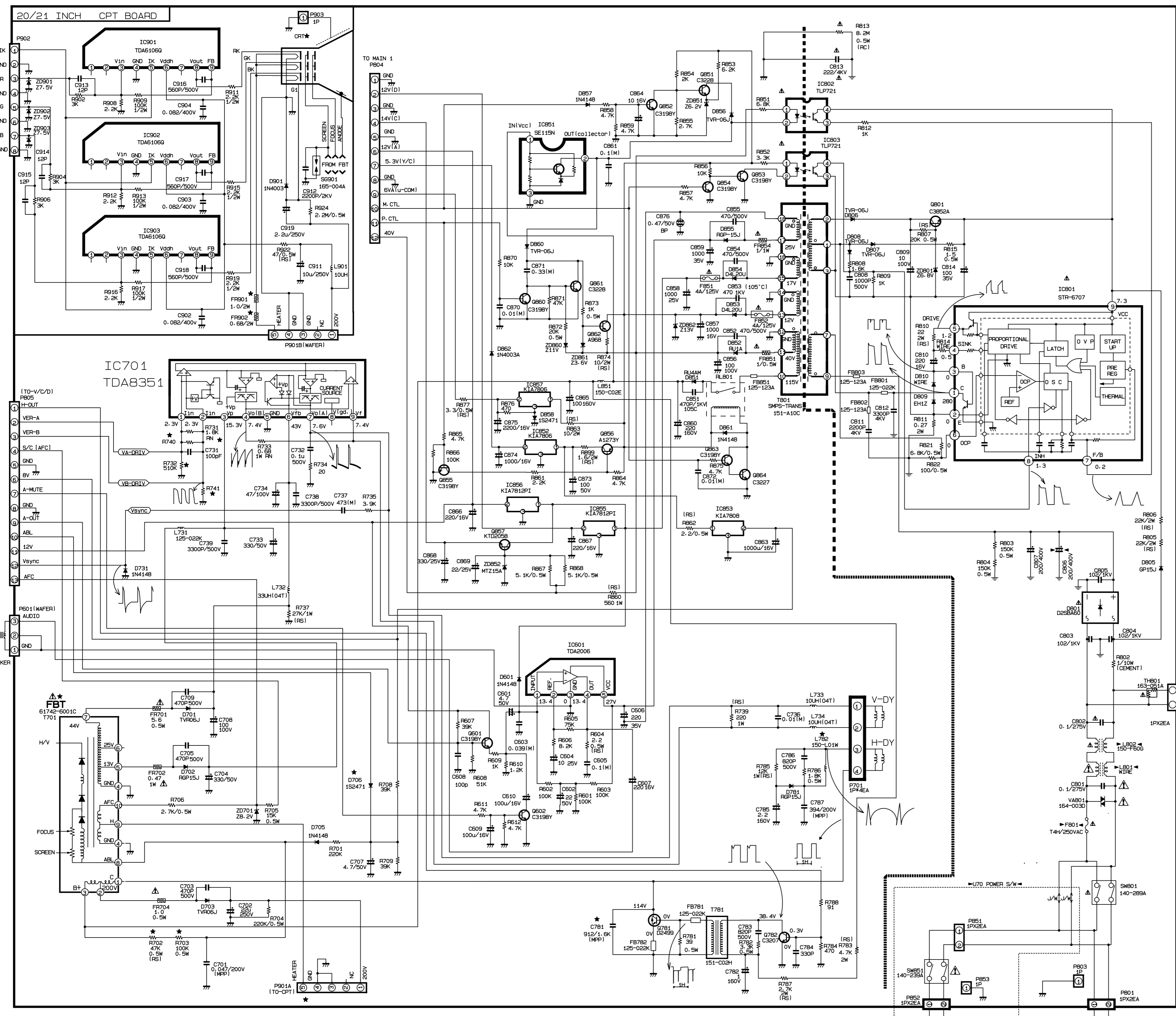
The components marked Δ conform to VDE or IEC guidelines and are essential for safe operation of the set, while those marked \triangle are required for correct operation. Use specified parts only when replacing.

VALUE OF RESISTOR, CAPACITOR AND INDUCTOR

1. Resistances are shown in ohm, K = 1,000 M = 1,000,000 .
2. Unless otherwise noted in schematic, all capacitor values less than 1 are expressed in mfd and the values more than 1 in pF
3. Unless otherwise noted in schematic, all coil values more than 1 are expressed in uH and the values less than 1 in H.

OBSERVATION OF VOLTAGES AND WAVEFORMS

1. Voltages read with VTVM from point shown to chassis ground, line voltages 220 Volts, colour bar signal
2. Voltages reading may vary $\pm 20\%$.
3. The schematic shown is representative only.
4. All waveforms are taken using a wide band oscilloscope and a low capacity probe.
5. Check FINE TUNING, AGC, BRIGHTNESS, CONTRAST and COLOUR controls for best picture, make sure that CONTRAST and COLOUR controls are in mid position and BRIGHTNESS controls is almost in maximum position.
6. Waveforms are taken using a standard colour bar signal.



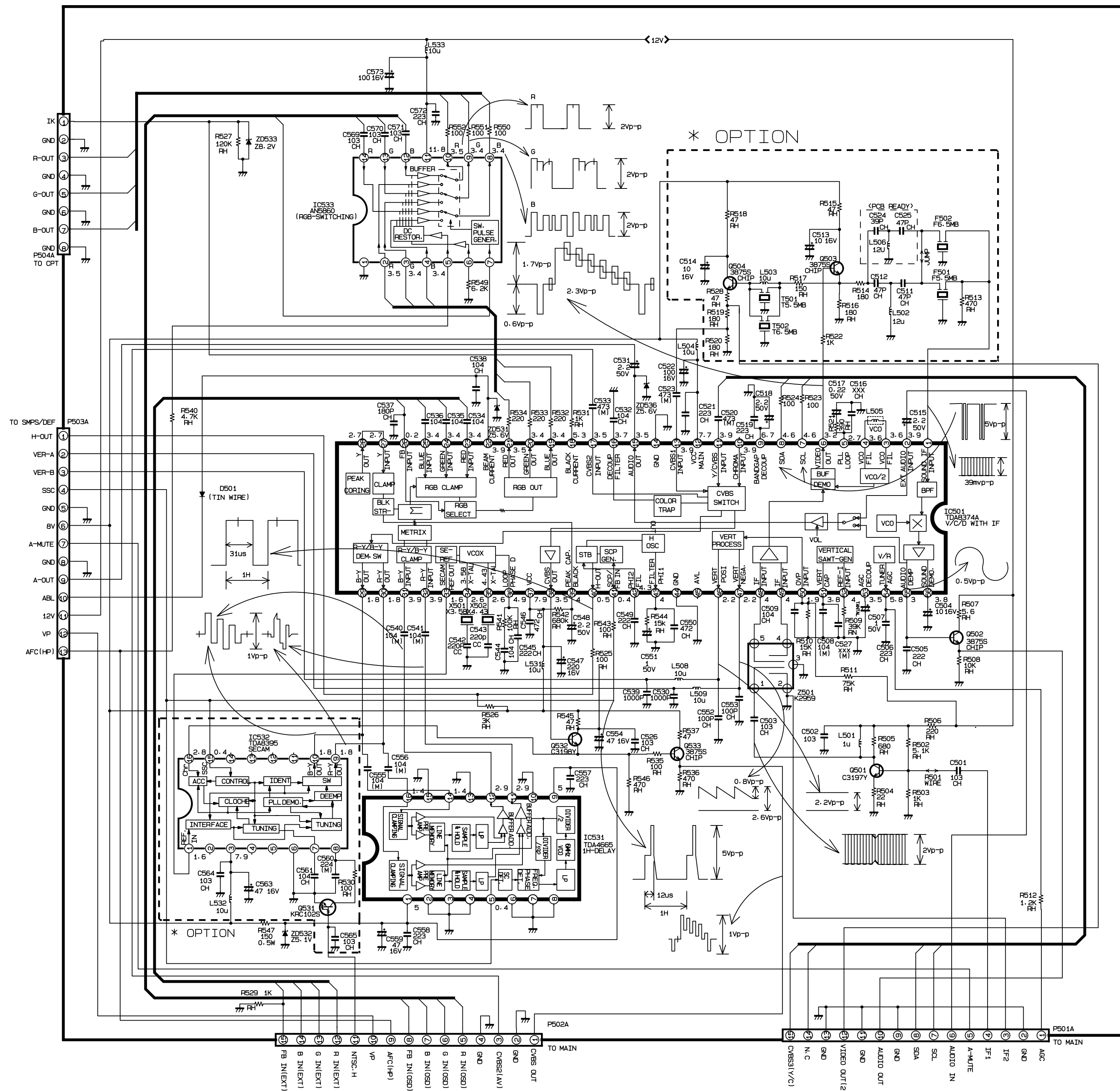
★ TABLE OF INCH CONVERSION

NO	CIRCUIT NO	21"	20"	14"	REMARK
1	R731	1.8K	1.5K	2.7K	RESISTOR-RN 1/6W
2	R732	510K	390K	-	RESISTOR-RD 1/6W
3	R740	-	-	2.7K	RESISTOR-RN 1/6W
4	R741	-	-	820K	RESISTOR-RS 0.5W
5	R702	47K	47K	47K	RESISTOR-RD 0.5W
6	R703	100K	100K	130K	RESISTOR-RD 0.5W
7	FR901	1	0.68	-	RESISTOR-RF 2W
8	FR902	0.68	0.68	2.2	RESISTOR-RF 2W
9	C781	0.0091u	0.0091u	0.0085u	CAPACITOR-MPP 1.6K
10	C787	0.43u	0.39u	0.62u	CAPACITOR-MPP 200V
11	L782	-L01W	-L02C	-L01W	COIL-LINEARITY(150-1)
12	D706	1S2471	1S2471	TIN WIRE	DIODE
13	T701	-6001C	-6001C	-6001E	FBT (61742-)
14	P901A	-A05C	-A05C	-A05B	CONNECTOR-SP(387-)
15		5620VBC001A	5620VBC001A	381-100F	CPT SOCKET
16		-852C	-852C	-852B	CPT EARTH LEAD (170-)
17					CPT BOARD
18					

▶ TABLE OF POWER CONVERSION ◀

NO	CIRCUIT NO	RANGE	REMARK
1	FB01	TIME LAG	FUSE
2	LB02	150-F066	150-F06H LINE FILTER
3	LB01	TIN WIRE	TIN WIRE LINE FILTER
4	CB06	200u/400V	CAPACITOR ELEC
5			
6			
7			
8			

MV-64A VCD SCHEMATIC DIAGRAM



NOTICE
 Since this is a basic schematic diagram, the value of components and some partical connection are subject to change for improvement.

The components marked Δ conform to VDE or IEC guidelines and are essential for safe operation of the set. While those marked Δ are required for correct operation. Use specified parts only when replacing.

VALUE OF RESISTER, CAPACITOR AND INDUCTOR
 1. Resistances are shown in ohm, K = 1,000 M = 1,000,000 .
 2. Unless otherwise noted in schematic, all capacitor values less than 1 are expressed in mfd and the values more than 1 in pF .
 3. Unless otherwise noted in schematic, all coil values more than 1 are expressed in uH, and the values less than 1 in H.

OBSERVATION OF VOLTAGES AND WAVEFORMS
 1. Voltages read with VTVM from point shown to chassis ground, line voltages 220 Volts, colour bar signal
 2. Voltages reading may vary $\pm 20\%$.
 3. The schematic shown is representative only.
 4. All waveforms are taken using a wide band oscilloscope and a low capacity probe.
 5. Check FINE TUNING, AGC, BRIGHTNESS, CONTRAST and COLOUR controls for best picture, make sure that CONTRAST and COLOUR controls are in mid position and BRIGHTNESS controls is almost in maximum position.
 6. Waveforms are taken using a standard colour bar signal.

★ TABLE OF SYSTEM CONVERSION (OPTION)

NO	CIRCUIT NO	SYSTEM		REMARK
		FULL	PAL-I/I	
1	IC532	○	-	IC, TDA8395
2	T501	T 5.5MB	T 6.0MB	FILTER, TRAP
3	T502	T 6.5MB	-	FILTER, TRAP
4	F501	F 5.5MC	F 6.0MC	FILTER, BPF
5	F502	F 6.5MC	-	FILTER, BPF
6	L502	12u	-	INDUCTOR
7	L503	10u	-	INDUCTOR
8	L532	10u	-	INDUCTOR
9	C560	224	-	CAPACITOR, MYLAR
10	C561	104	-	CAPACITOR, CHIP
11	C563	47u	-	CAPACITOR, ELEC 16V
12	C564	103	-	CAPACITOR, CHIP
13	C565	103	-	CAPACITOR, CHIP
14	R530	100	-	RESISTOR, CHIP
15	Q531	KRC102S	-	TRANSISTOR, CHIP
16				