

# SCHEMATIC DIAGRAM(PC-53A)

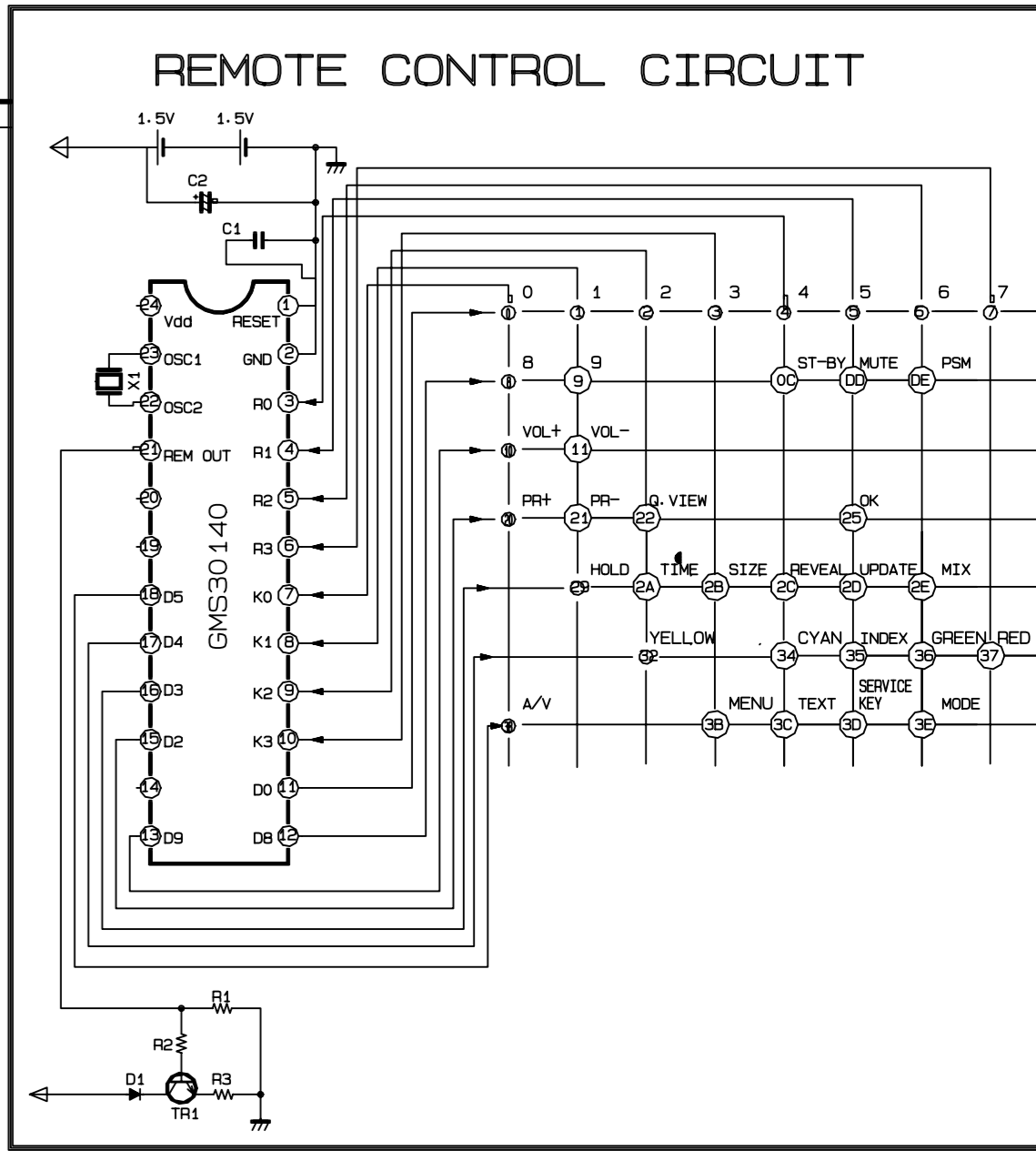
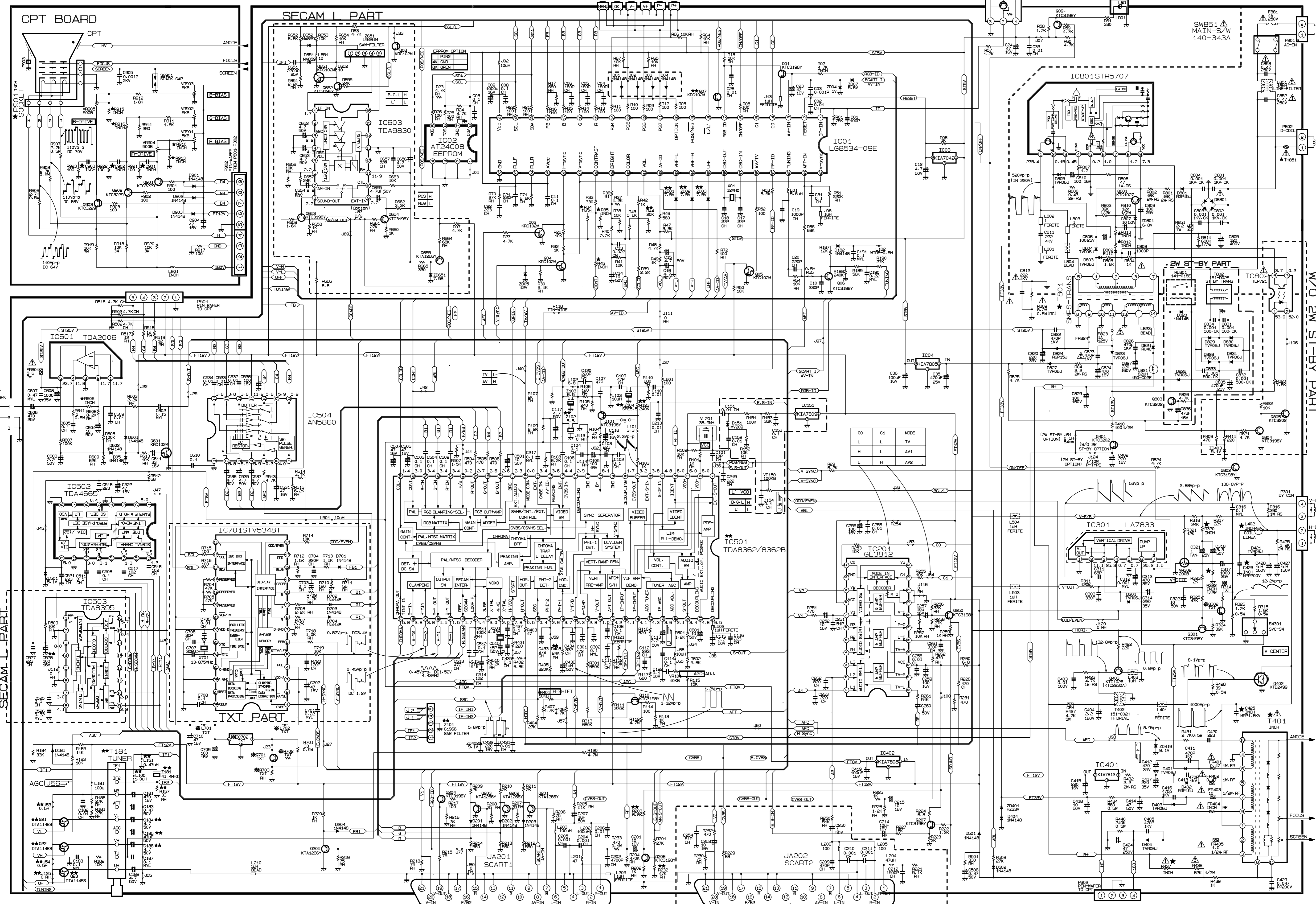


TABLE OF SYSTEM CONVERSION

| CIRCUIT NO. | PAL/SECAM - B/G | PAL/SECAM - B/G/LL | PAL - I   | REMARK    |
|-------------|-----------------|--------------------|-----------|-----------|
| R232        | 47K             | 20K                | 47K       | RD 1/10W  |
| R203        | 6.8K            | 3.9K               | 6.8K      | RD 1/6W   |
| C195        | 4.7uF           | 47uF               | 4.7uF     | CE 50V    |
| R123        | -               | 240K               | -         | RD 1/6W   |
| R44         | 20K             | 10K                | 20K       | RD 1/6W   |
| R408        | 24K             | 15K                | 24K       | RD 1/6W   |
| L103        | 10uH            | 12uH               | 10uH      | COIL      |
| C528        | 100uF           | 47uF               | 100uF     | CE 16V    |
| Z101        | 166-250B        | 166-250B           | 166-AD1N  | 5W FILTER |
| C508        | 100uF           | 47uF               | 100uF     | CE 16V    |
| Z104        | 166-250B        | 166-250B           | 166-AD1N  | 5W FILTER |
| L181        | 113-238K        | 113-238K           | 113-238L  | TUNER     |
| L100        | 150-C01F        | 150-C01C           | 150-C016  | CHKE COIL |
| Z104        | 166-250B        | 166-250B           | 166-AD1N  | 5W FILTER |
| Z102        | 166-C02C        | 166-C02C           | 166-C02B  | FILTER    |
| TN WIRE     | J63-64-71       | J38-33-34          | J53-54-57 |           |
| TD 01       | 5               | 5                  | 5         |           |
| TD 02       | 5               | 5                  | 5         |           |
| TD 03       | 5               | 5                  | 5         |           |
| TD 04       | 5               | 5                  | 5         |           |
| TD 05       | 5               | 5                  | 5         |           |
| TD 06       | 5               | 5                  | 5         |           |
| TD 07       | 5               | 5                  | 5         |           |
| TD 08       | 5               | 5                  | 5         |           |
| TD 09       | 5               | 5                  | 5         |           |
| TD 10       | 5               | 5                  | 5         |           |
| TD 11       | 5               | 5                  | 5         |           |
| TD 12       | 5               | 5                  | 5         |           |
| TD 13       | 5               | 5                  | 5         |           |
| TD 14       | 5               | 5                  | 5         |           |
| TD 15       | 5               | 5                  | 5         |           |
| TD 16       | 5               | 5                  | 5         |           |
| TD 17       | 5               | 5                  | 5         |           |
| TD 18       | 5               | 5                  | 5         |           |
| TD 19       | 5               | 5                  | 5         |           |
| TD 20       | 5               | 5                  | 5         |           |
| TD 21       | 5               | 5                  | 5         |           |
| TD 22       | 5               | 5                  | 5         |           |
| TD 23       | 5               | 5                  | 5         |           |
| TD 24       | 5               | 5                  | 5         |           |
| TD 25       | 5               | 5                  | 5         |           |
| TD 26       | 5               | 5                  | 5         |           |
| TD 27       | 5               | 5                  | 5         |           |
| TD 28       | 5               | 5                  | 5         |           |
| TD 29       | 5               | 5                  | 5         |           |
| TD 30       | 5               | 5                  | 5         |           |
| TD 31       | 5               | 5                  | 5         |           |
| TD 32       | 5               | 5                  | 5         |           |
| TD 33       | 5               | 5                  | 5         |           |
| TD 34       | 5               | 5                  | 5         |           |
| TD 35       | 5               | 5                  | 5         |           |
| TD 36       | 5               | 5                  | 5         |           |
| TD 37       | 5               | 5                  | 5         |           |
| TD 38       | 5               | 5                  | 5         |           |
| TD 39       | 5               | 5                  | 5         |           |
| TD 40       | 5               | 5                  | 5         |           |
| TD 41       | 5               | 5                  | 5         |           |
| TD 42       | 5               | 5                  | 5         |           |
| TD 43       | 5               | 5                  | 5         |           |
| TD 44       | 5               | 5                  | 5         |           |
| TD 45       | 5               | 5                  | 5         |           |
| TD 46       | 5               | 5                  | 5         |           |
| TD 47       | 5               | 5                  | 5         |           |
| TD 48       | 5               | 5                  | 5         |           |
| TD 49       | 5               | 5                  | 5         |           |
| TD 50       | 5               | 5                  | 5         |           |
| TD 51       | 5               | 5                  | 5         |           |
| TD 52       | 5               | 5                  | 5         |           |
| TD 53       | 5               | 5                  | 5         |           |
| TD 54       | 5               | 5                  | 5         |           |
| TD 55       | 5               | 5                  | 5         |           |
| TD 56       | 5               | 5                  | 5         |           |
| TD 57       | 5               | 5                  | 5         |           |
| TD 58       | 5               | 5                  | 5         |           |
| TD 59       | 5               | 5                  | 5         |           |
| TD 60       | 5               | 5                  | 5         |           |
| TD 61       | 5               | 5                  | 5         |           |
| TD 62       | 5               | 5                  | 5         |           |
| TD 63       | 5               | 5                  | 5         |           |
| TD 64       | 5               | 5                  | 5         |           |
| TD 65       | 5               | 5                  | 5         |           |
| TD 66       | 5               | 5                  | 5         |           |
| TD 67       | 5               | 5                  | 5         |           |
| TD 68       | 5               | 5                  | 5         |           |
| TD 69       | 5               | 5                  | 5         |           |
| TD 70       | 5               | 5                  | 5         |           |
| TD 71       | 5               | 5                  | 5         |           |
| TD 72       | 5               | 5                  | 5         |           |
| TD 73       | 5               | 5                  | 5         |           |
| TD 74       | 5               | 5                  | 5         |           |
| TD 75       | 5               | 5                  | 5         |           |
| TD 76       | 5               | 5                  | 5         |           |
| TD 77       | 5               | 5                  | 5         |           |
| TD 78       | 5               | 5                  | 5         |           |
| TD 79       | 5               | 5                  | 5         |           |
| TD 80       | 5               | 5                  | 5         |           |
| TD 81       | 5               | 5                  | 5         |           |
| TD 82       | 5               | 5                  | 5         |           |
| TD 83       | 5               | 5                  | 5         |           |
| TD 84       | 5               | 5                  | 5         |           |
| TD 85       | 5               | 5                  | 5         |           |
| TD 86       | 5               | 5                  | 5         |           |
| TD 87       | 5               | 5                  | 5         |           |
| TD 88       | 5               | 5                  | 5         |           |
| TD 89       | 5               | 5                  | 5         |           |
| TD 90       | 5               | 5                  | 5         |           |
| TD 91       | 5               | 5                  | 5         |           |
| TD 92       | 5               | 5                  | 5         |           |
| TD 93       | 5               | 5                  | 5         |           |
| TD 94       | 5               | 5                  | 5         |           |
| TD 95       | 5               | 5                  | 5         |           |
| TD 96       | 5               | 5                  | 5         |           |
| TD 97       | 5               | 5                  | 5         |           |
| TD 98       | 5               | 5                  | 5         |           |
| TD 99       | 5               | 5                  | 5         |           |
| TD 100      | 5               | 5                  | 5         |           |

u - COM OPTION

| SCART   | B/G | SYSTEM | I   | REMARK           |
|---------|-----|--------|-----|------------------|
| 2-SCART | -   | D01    | D02 | D01-08-03 IN4148 |
| 1-SCART | D03 | D01    | D02 | D04-ACMS D50     |
|         |     | D03    | D03 |                  |

### NOTICE

Since this is Basis Schematic Diagram the value of components and some partial connection are subject to be changed for improvement without notice.

The components marked conform to VDE on IEC guide-lines and are essential for safe operation of the TV receiver.

While those marked are required for correct operation.

Use specified parts only when replacing.

TABLE OF TXT CONVERSION

| CIRCUIT | WITH TXT MODEL | WITHOUT TXT MODEL | REMARK |
|---------|----------------|-------------------|--------|
| IC702   | KIA 7805 PI    | KIA 78L05 BP      |        |
| L701    | 10uH COIL      | TIN WIRE          |        |
| L702    | 10uH COIL      |                   |        |
| R702    | RD 75 1/6W     |                   |        |
| R703    | RD 1.5K 1/10W  |                   |        |
| R714    | RD 10K 1/10W   |                   |        |
| C120    | KN 180F        |                   |        |
| G701    | KTC 3198-Y     |                   |        |
| G302    | KTC 3198-Y     |                   |        |

TABLE OF INCH CONVERSION

| CIRCUIT | INCH     | INCH     | REMARK       |
|---------|----------|----------|--------------|
| L432    | 150-103B | 150-101Z | COIL         |
| L301    | TIN WIRE | 150-C02B | COIL         |
| T801    | 151-805J | 151-806J | TRANS        |
| T401    | 154-308A | 154-309A | FBT          |
| C423    | 0.5uF    | 0.39uF   | MPP 200V     |
| C425    | 0.006uF  | 0.01uF   | MPP 1600V    |
| P901    | 381-100F | 381-220E | SOCKET       |
| C301    | 270      | 270      | CN 50V       |
| C302    | 270      | 270      | CN 50V       |
| C303    | 270      | 270      | CN 50V       |
| R320    | 560      | 560      | RD 1/6W      |
| R34     | 2.7K     | 1.5K     | 1.5K RD 1/6W |
| R35     | 1.2K     | 27K      | RD 1/6W      |
| R322    | 2.2      | 2.2      | 1.5 RD 1/2W  |
| R812    | 15       | 15       | 1.4 RD 1/2W  |
| FR404   | 3.9      | 0.68     | 1.4 FR 2W    |
| R427    | 75K      | 100K     | RD 1/2W      |
| R813    | TIN WIRE | TIN WIRE | 9.1 RD 1/2W  |
| R910    | 1.8K     | 1.8K     | RD 1/6W      |
| R913    | 330      | 330      | RD 1/6W      |
| R915    | 300      | 300      | RD 1/6W      |
| R916    | 180      | 150      | RD 1/6W      |
| BB/1    | 82K      | 91K      | RD 1/6W      |
| LL/1    | 62K      | 100K     | RD 1/6W      |
| TH851   | 163-054A | 163-054A | THERMISTOR   |
| R45     | 2.2K     | 2.2K     | 6.2K RD 1/6W |
| R425    | 1.2K 2W  | 5.6K 1W  | RD 1/6W      |

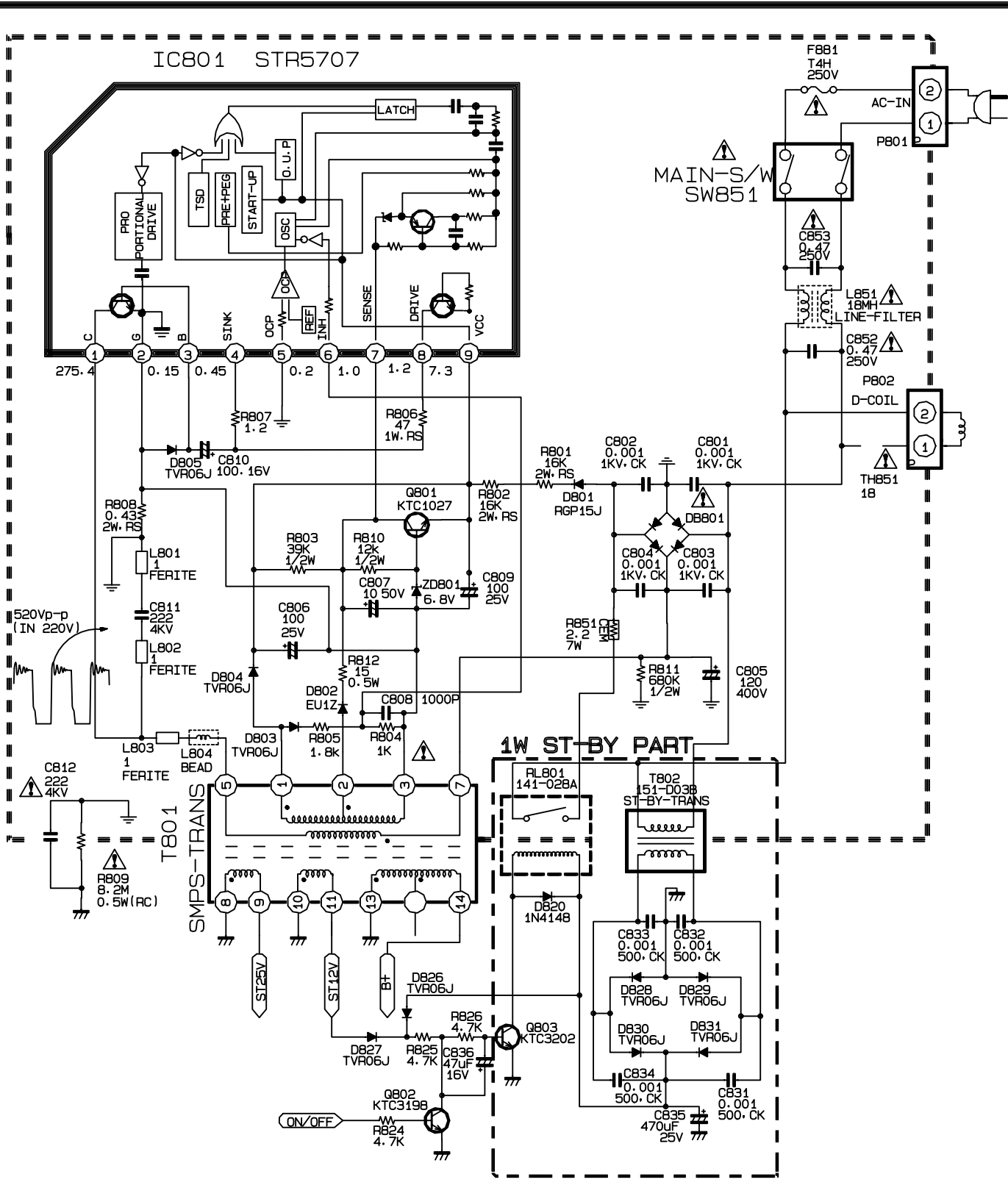
### Value of resistor, capacitor and inductor

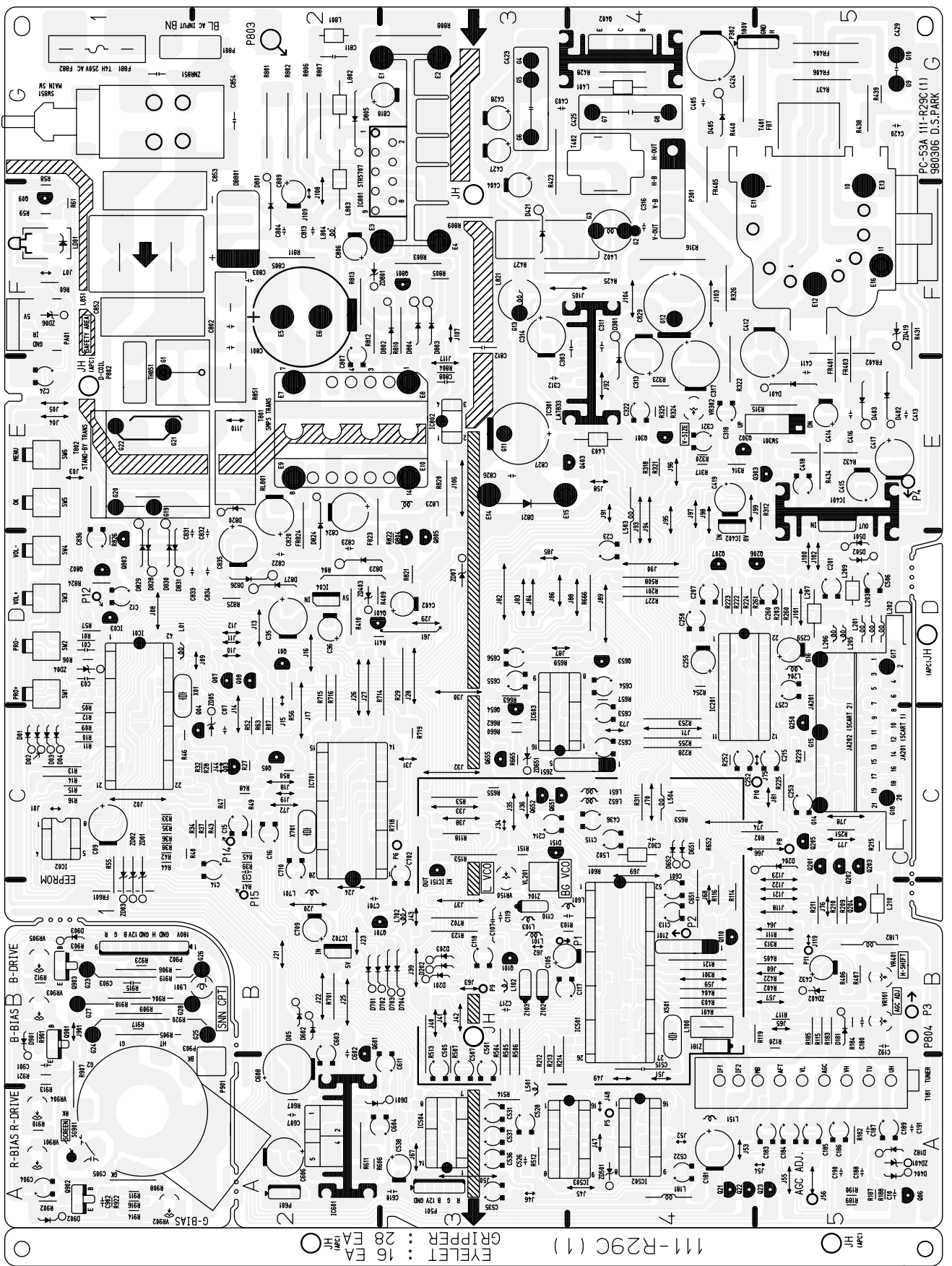
- Resistances are shown in ohms. K=1,000. M=1,000,000.
- Unless otherwise noted in schematic, all capacitor values less than 1 are expressed in mfd and the values more than 1 in pf.
- Unless otherwise noted in schematic, all inductor values more than 1 are expressed in uH and the values less than 1 in Henry(H).

### Observation of voltages and waveforms

- Voltages read with VTVM from point to chassis ground. line voltage is 230V/20X volts. signal pattern is colour-bar.
- The schematic shown is representative only.
- All waveforms are taken using a wide band oscilloscope and a low capacity probe.
- Check FINE TUNING-ASC. CONTRAST. BRIGHTNESS and COLOUR controls for best picture. make sure that COLOUR and BRIGHTNESS are in mid-point and CONTRAST is in 75%.
- Waveforms are taken using a standard colour signal.

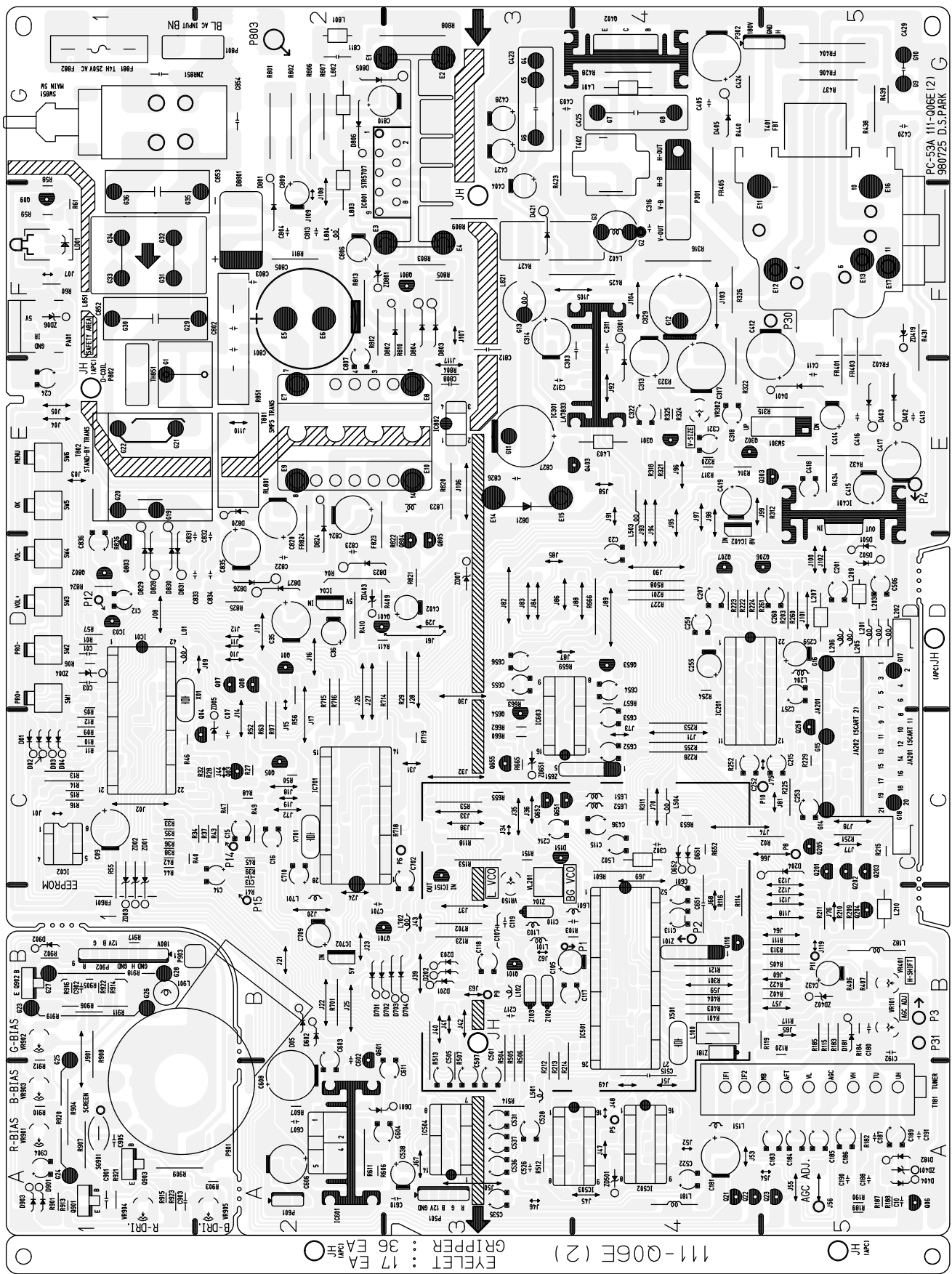
# <FIG 1> STR-S5707 CIRCUIT DIAGRAM





PC-53A 111-R29C (1)  
980306 U.S.P.A.R.K.

111-R29C (1)  
EYELET : 16 EA  
GRIPPER : 28 EA  
L (mm) H (mm)



111-006E (2) EYELET ... 36 GRIPPER ... 17 EA  
 111-006E (2) EYELET ... 36 GRIPPER ... 17 EA  
 111-006E (2) EYELET ... 36 GRIPPER ... 17 EA

PC-55A 111-006E (2)  
 9801725 D.S.PARK

