

# ADJUSTMENT INSTRUCTIONS

## □ Safety Precautions

1. It is safe to adjust after using insulating transformer between the power supply line and chassis input to prevent the risk of electric shock and protect the instrument.
2. Never disconnect leads while the TV receiver is on.
3. Don't short any portion of circuits while power is on.
4. The adjustment must be done by the correct appliances. But this is changeable in view of productivity.
5. Unless otherwise noted, set the line voltage to 230Vac  $\pm 10\%$ , 50Hz.

## □ Test Equipment required

1. RF signal generator (with pattern generator)
2. DC Power Supply
3. Multimeter (volt meter)
4. Oscilloscope
5. Color analyzer

Main Board(Component side view)

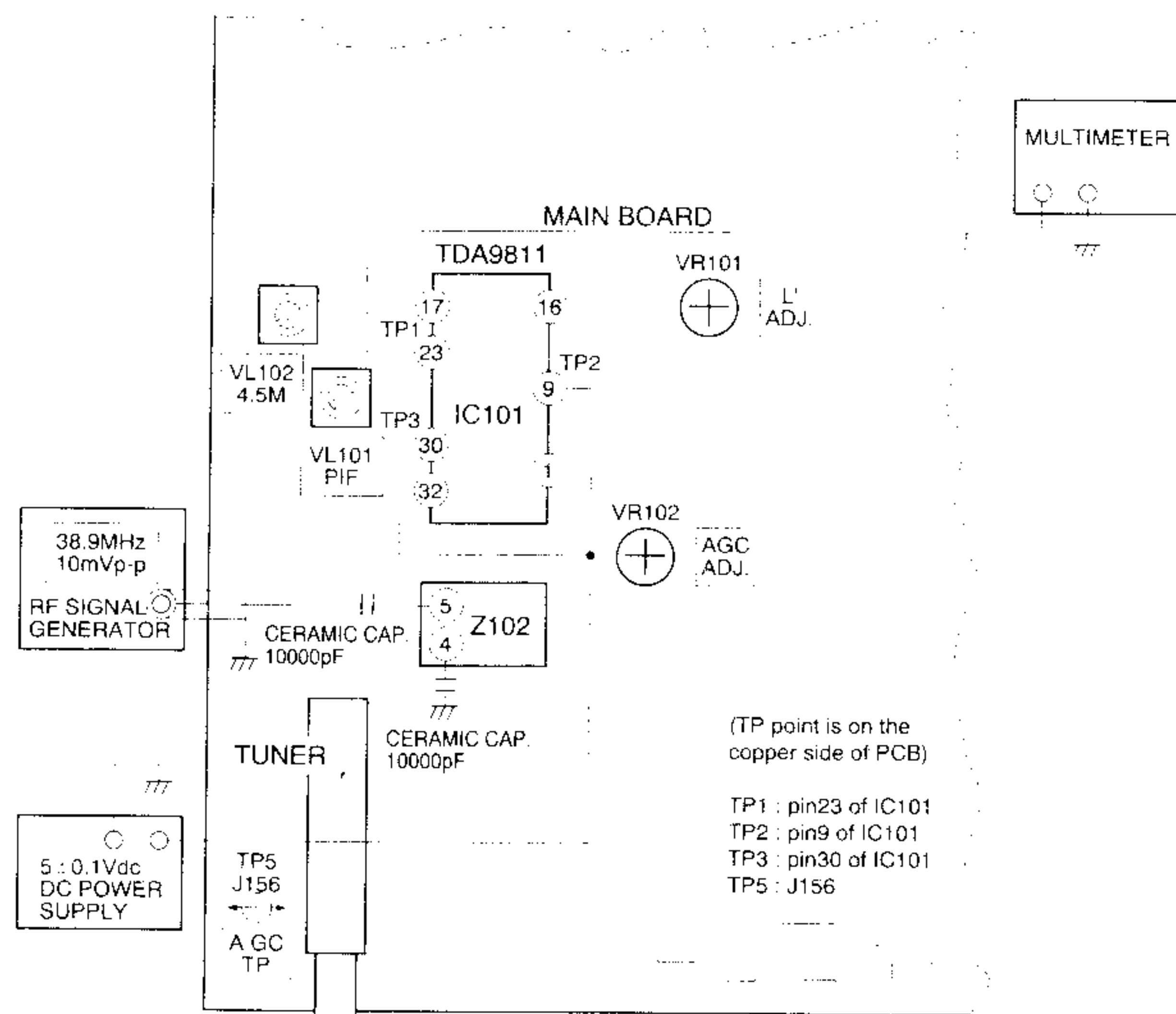


Fig. 1: Connection Diagram of Equipment for PIF Adjustment

## ● PIF (Picture Intermediate Frequency) Adjustment

**Test Point : TP1**

**Adjust : VL101**

- 1) Connect the measuring equipment to the Main Board as shown in Fig.1.
- 2) Set RF frequency and output level of RF SIGNAL GENERATOR as shown Table 1.
- 3) Turn on DC power supply.
- 4) Adjust VL101 so that the DC voltage may be indicated  $2.6 \pm 0.1Vdc$ .

Frequency	Modulation	Output level
38.9MHz	OFF	10mVp-p

(Table 1)

## ● SECAM L' Adjustment

**NOTE :** This adjustment should be performed after PIF adjustment.

**Test Point : TP1**

**Adjust : VR101**

- 1) Tune the TV set to receive a SECAM-L' signal.
- 2) Adjust VR101 so that the DC voltage may be indicated  $2.6 \pm 0.1Vdc$ .

## ● SECAM L/L' sound Adjustment

**Test Point : C638(Refer to the Fig.2)**

**Adjust : VL102**

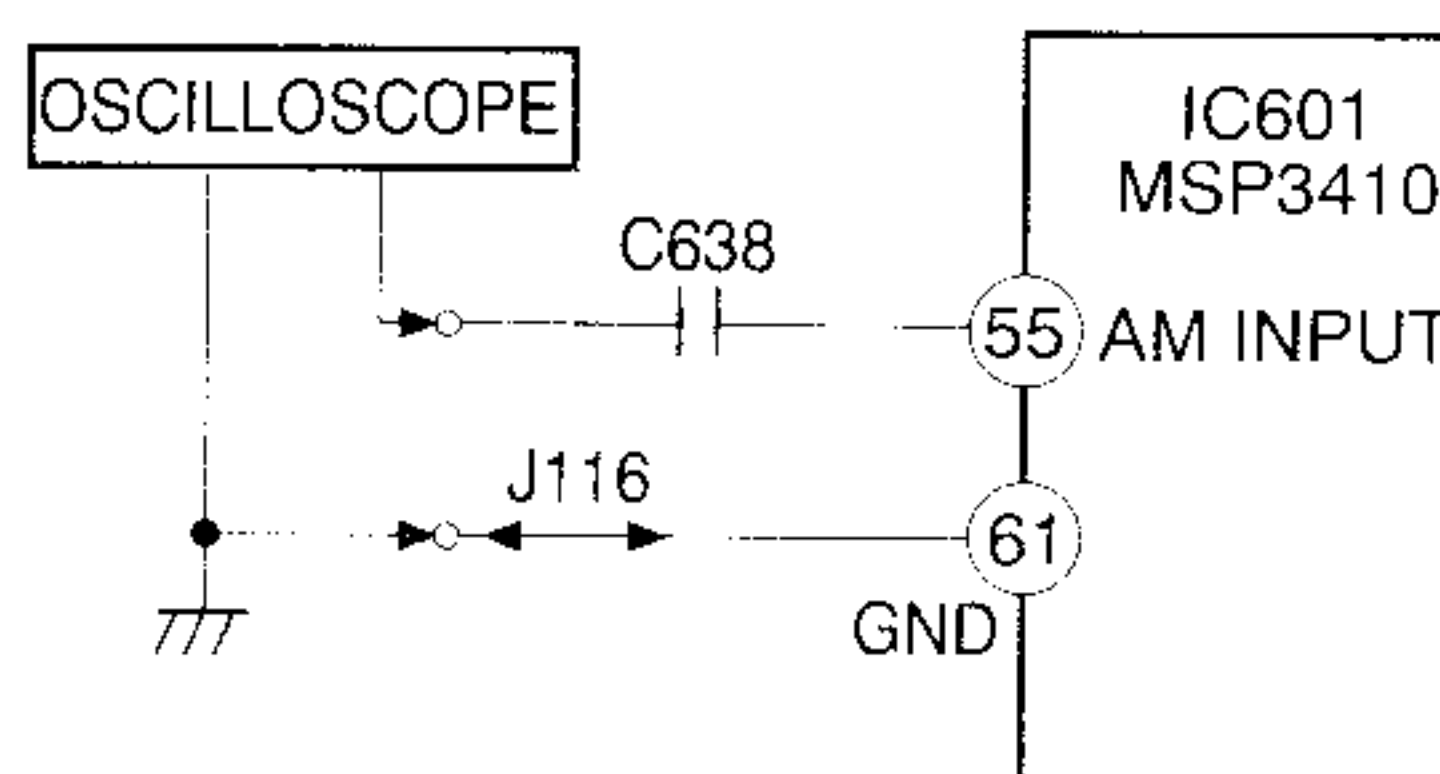
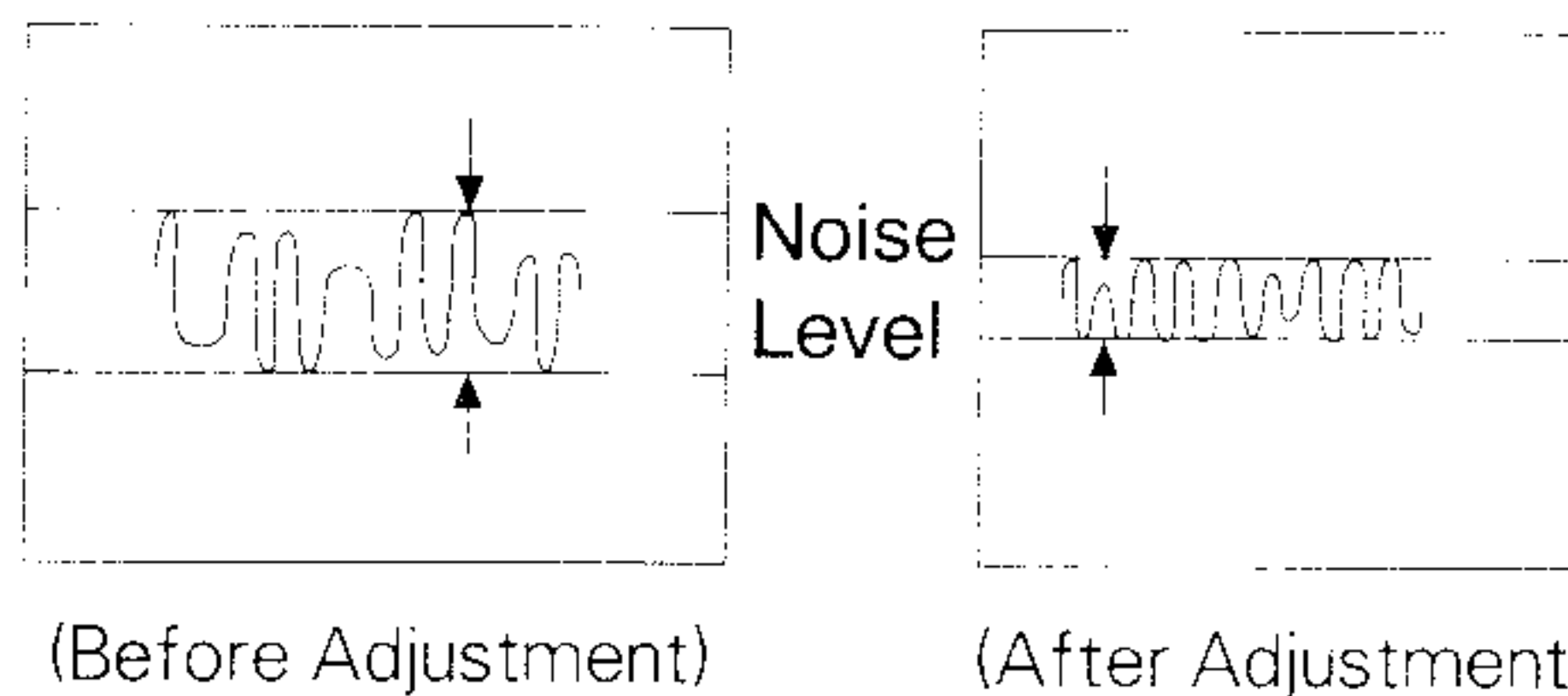


Fig. 2



**PC 58 A / CF 28 C 28 L**

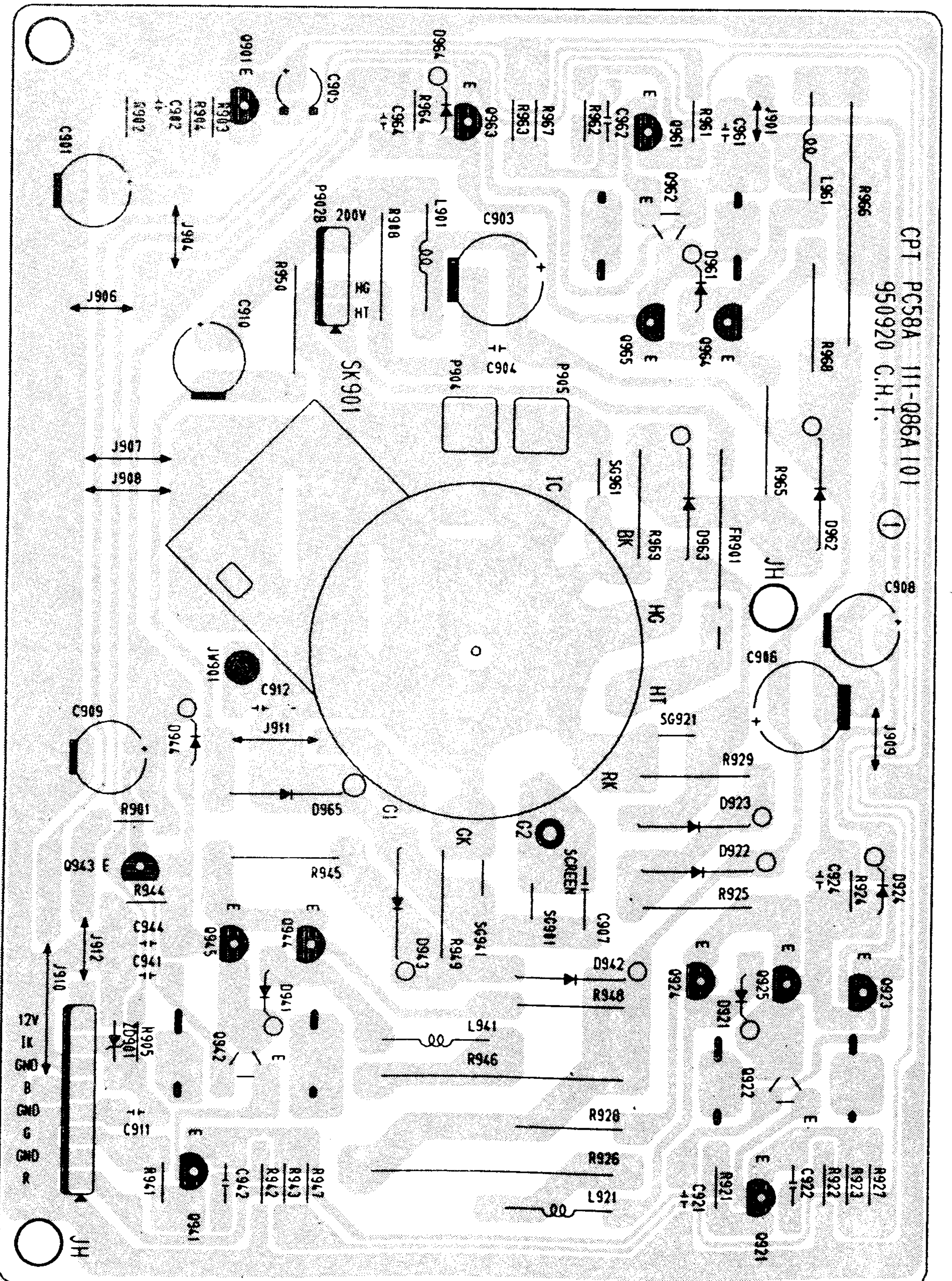
**PC 58 A / CB 14 E 20/X**

**PC 58 A / CF 29 C 46 T**

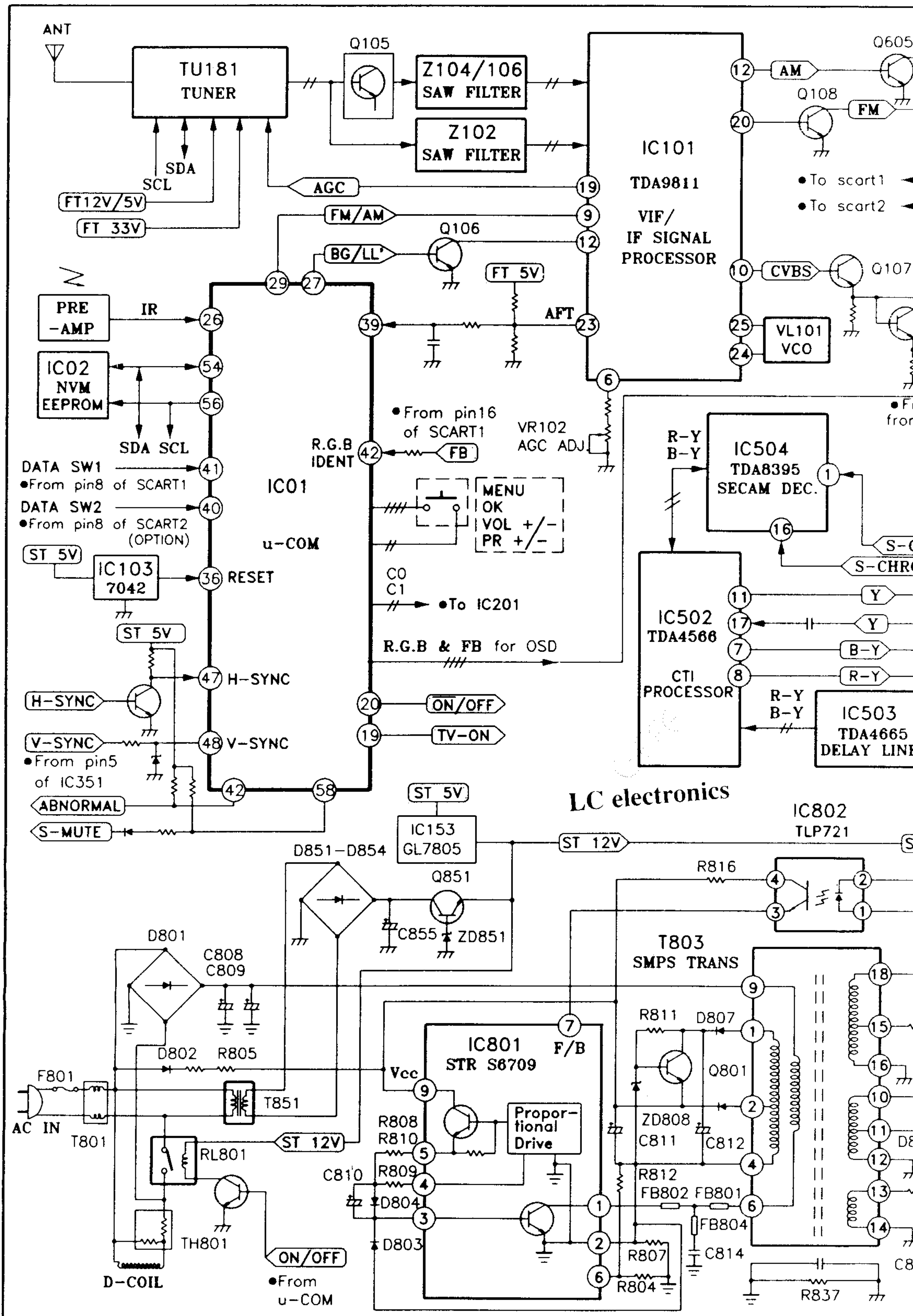
**PC 58 A / CF 25 / CF 28 C**

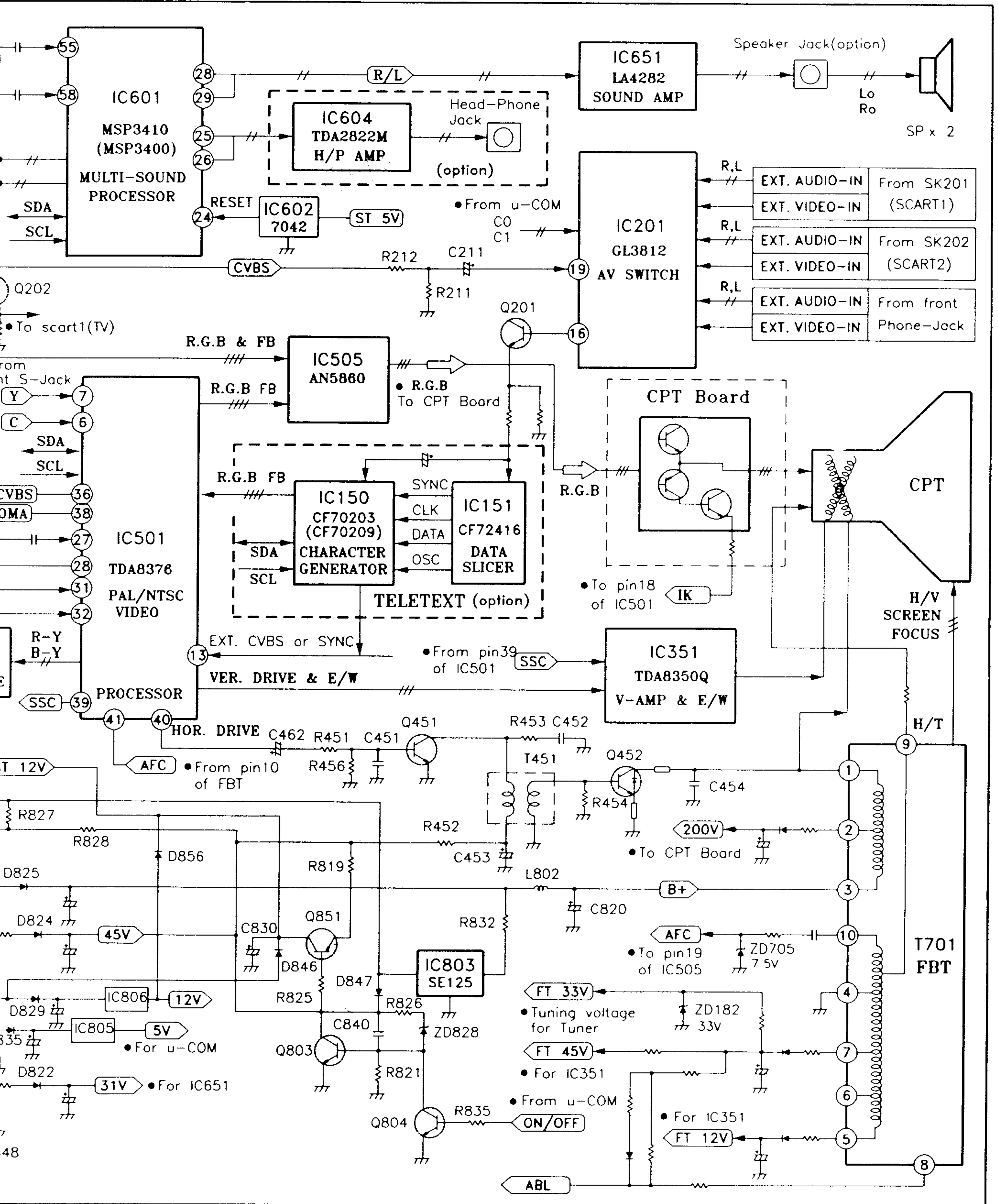
CPT PC58A 111-086A 101  
950920 C.H.T.

①

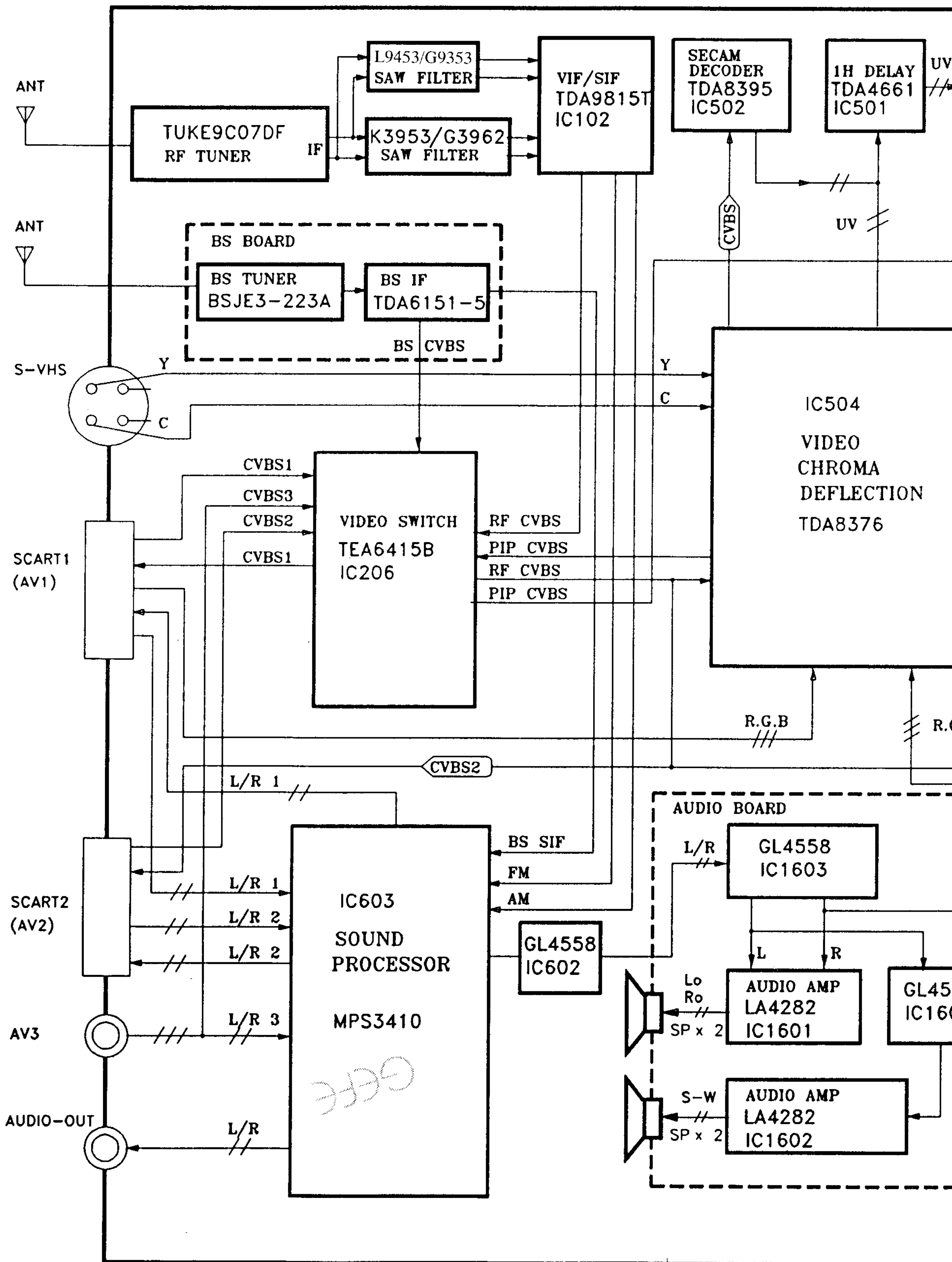


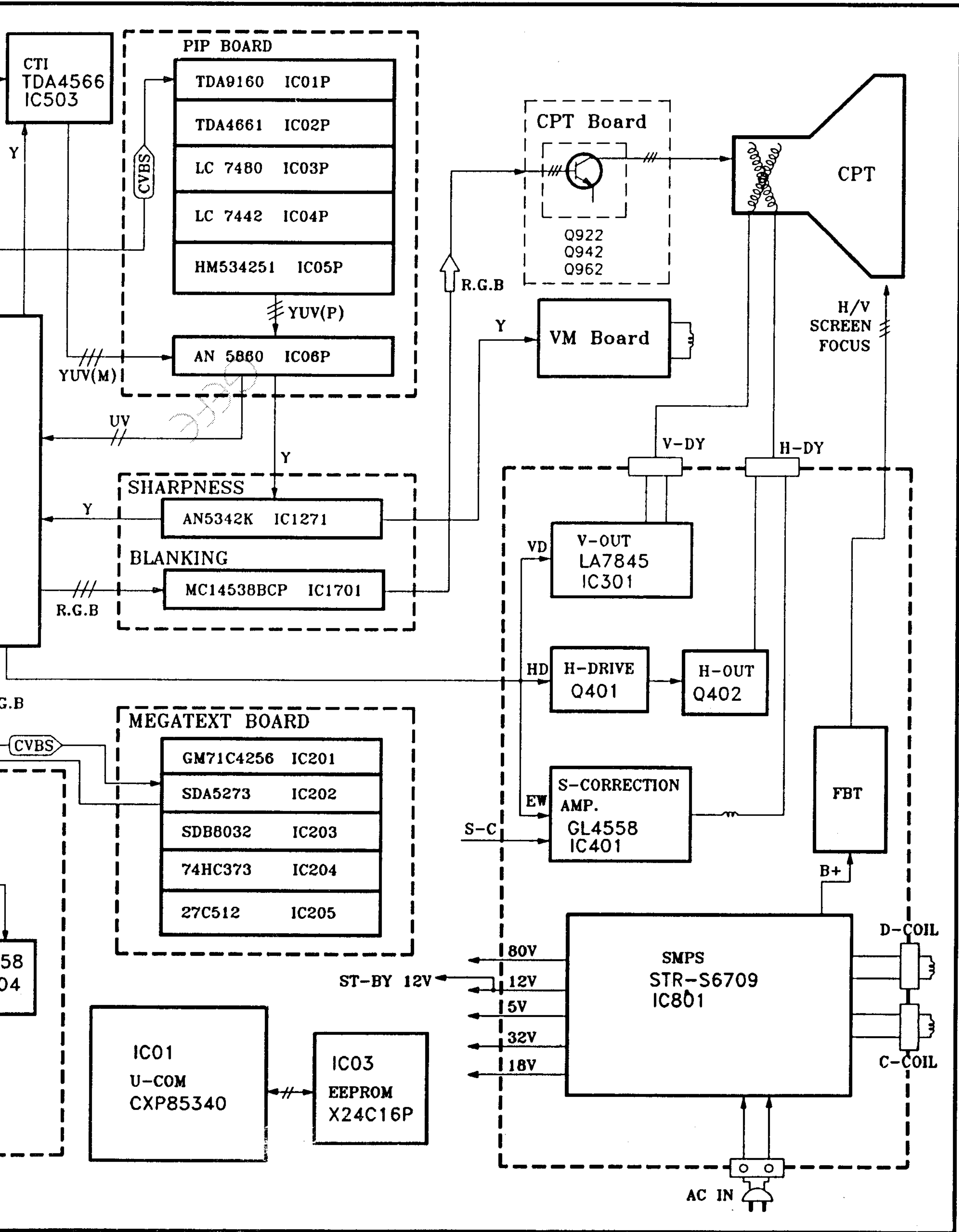
PC-58A BLOCK DIAGRAM



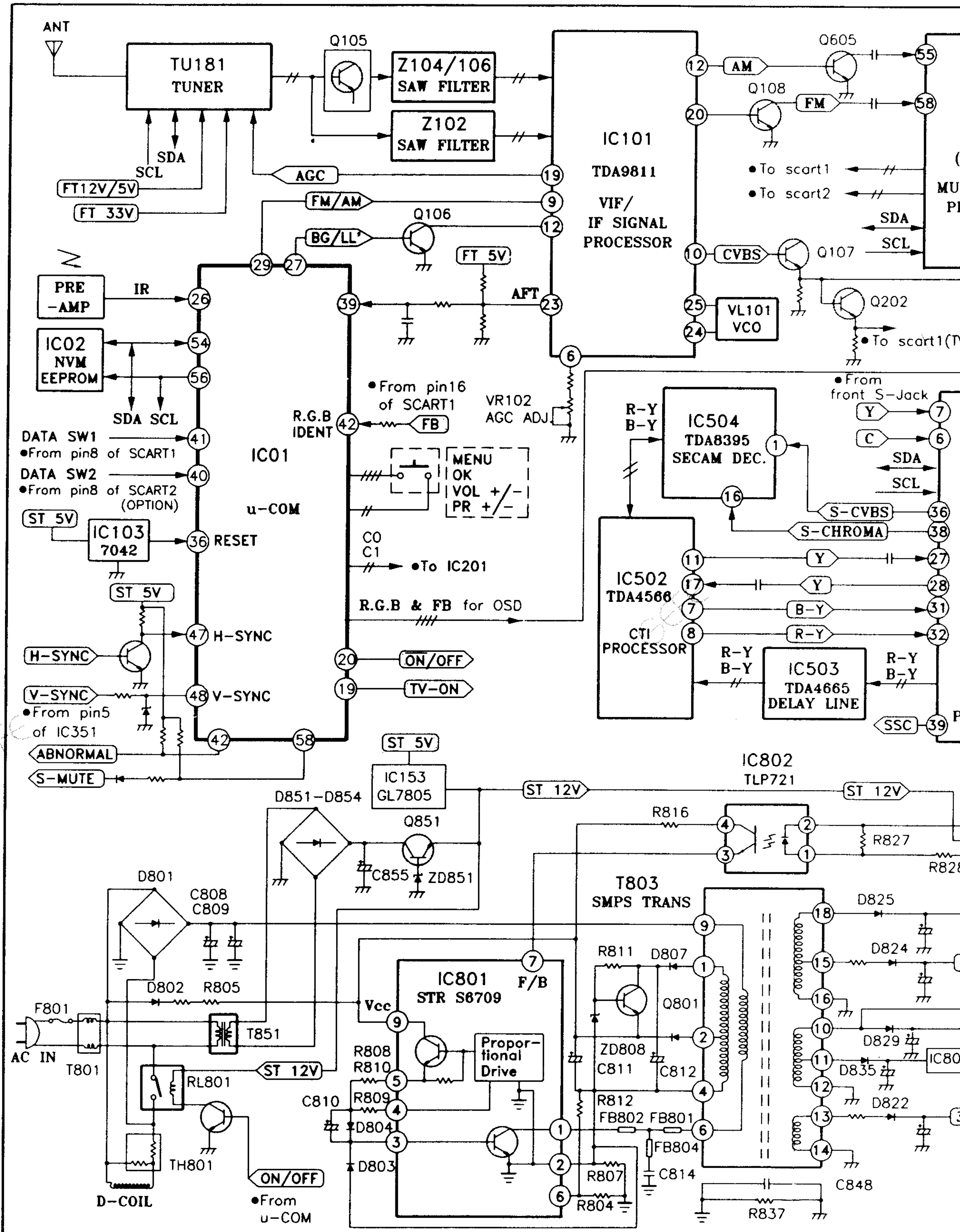


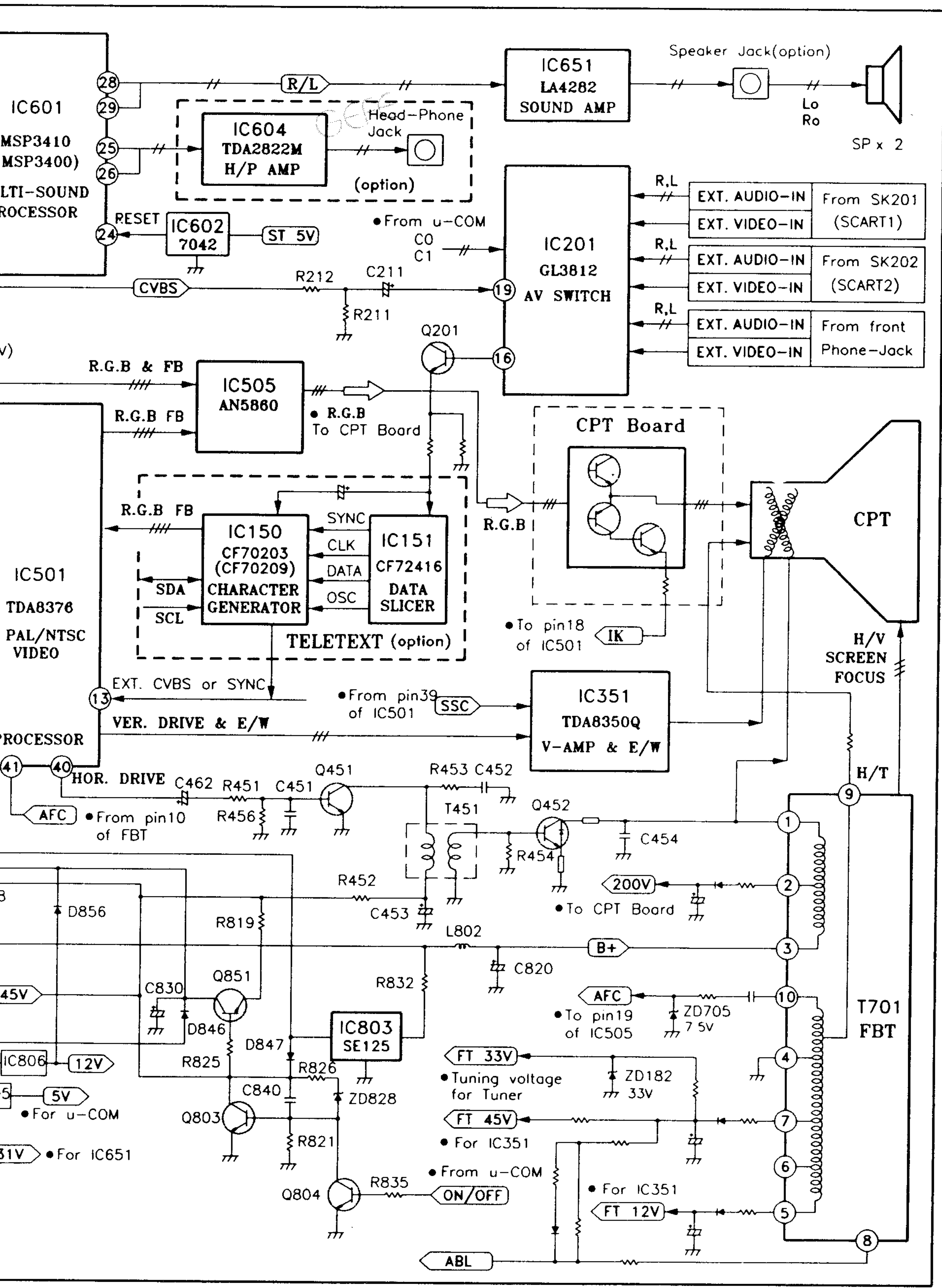
# Block Diagram





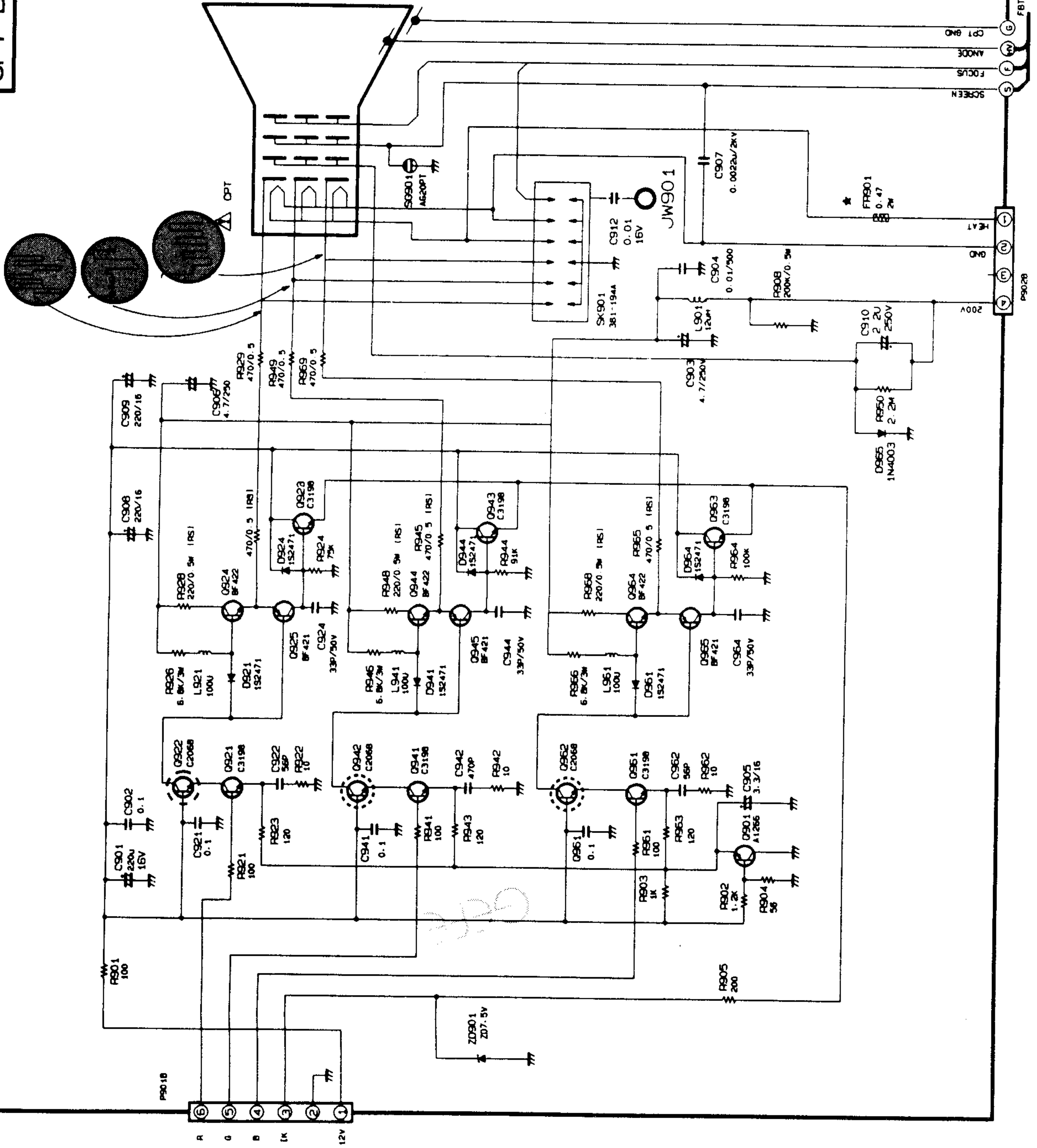
# PC-58A BLOCK DIAGRAM



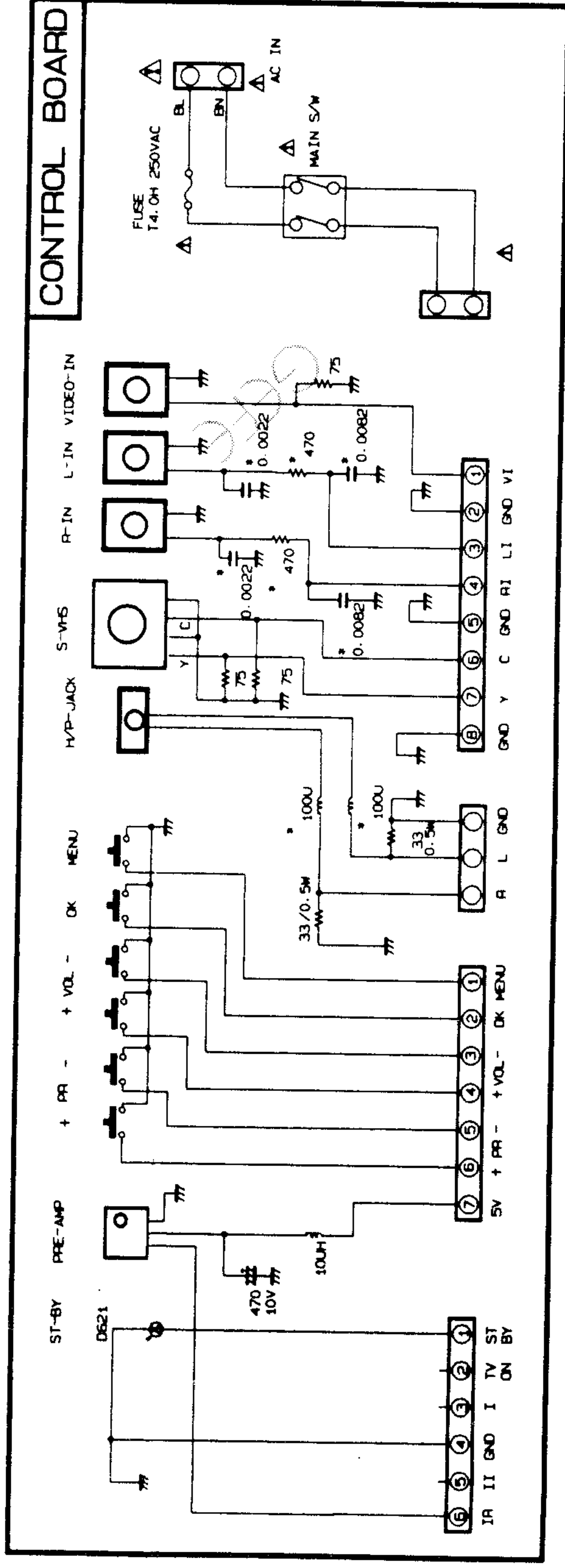




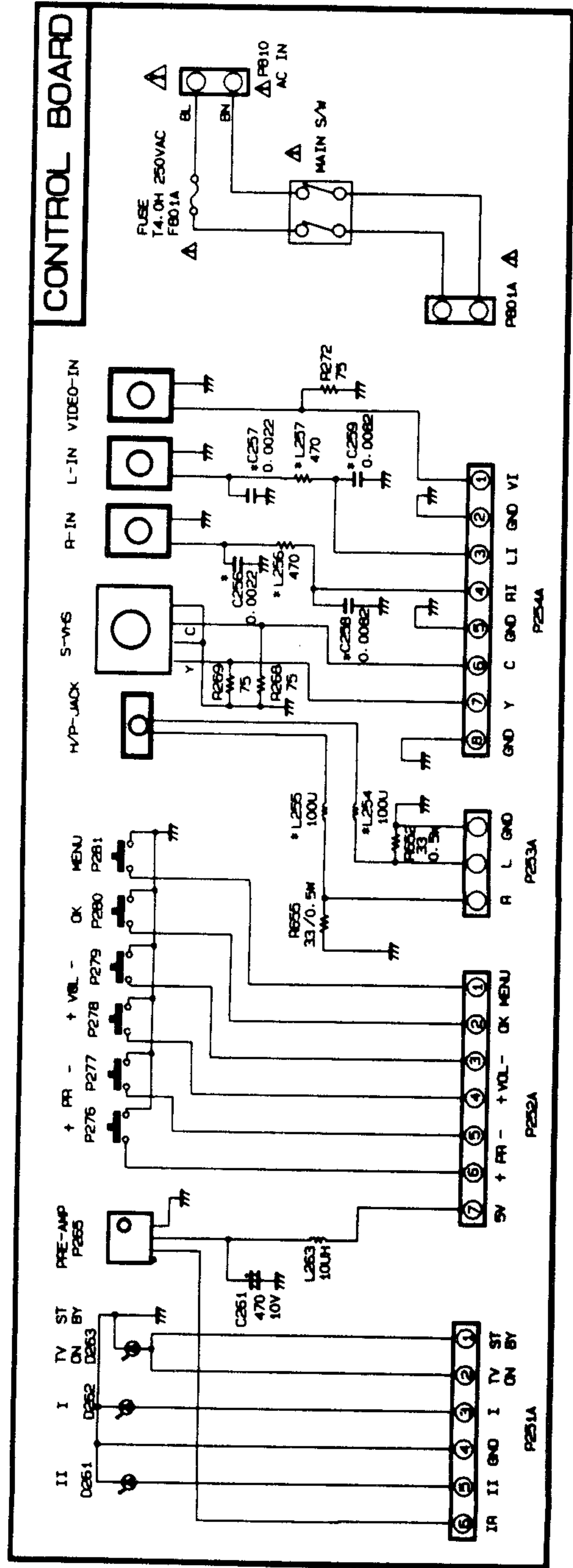
# CPT BOARD



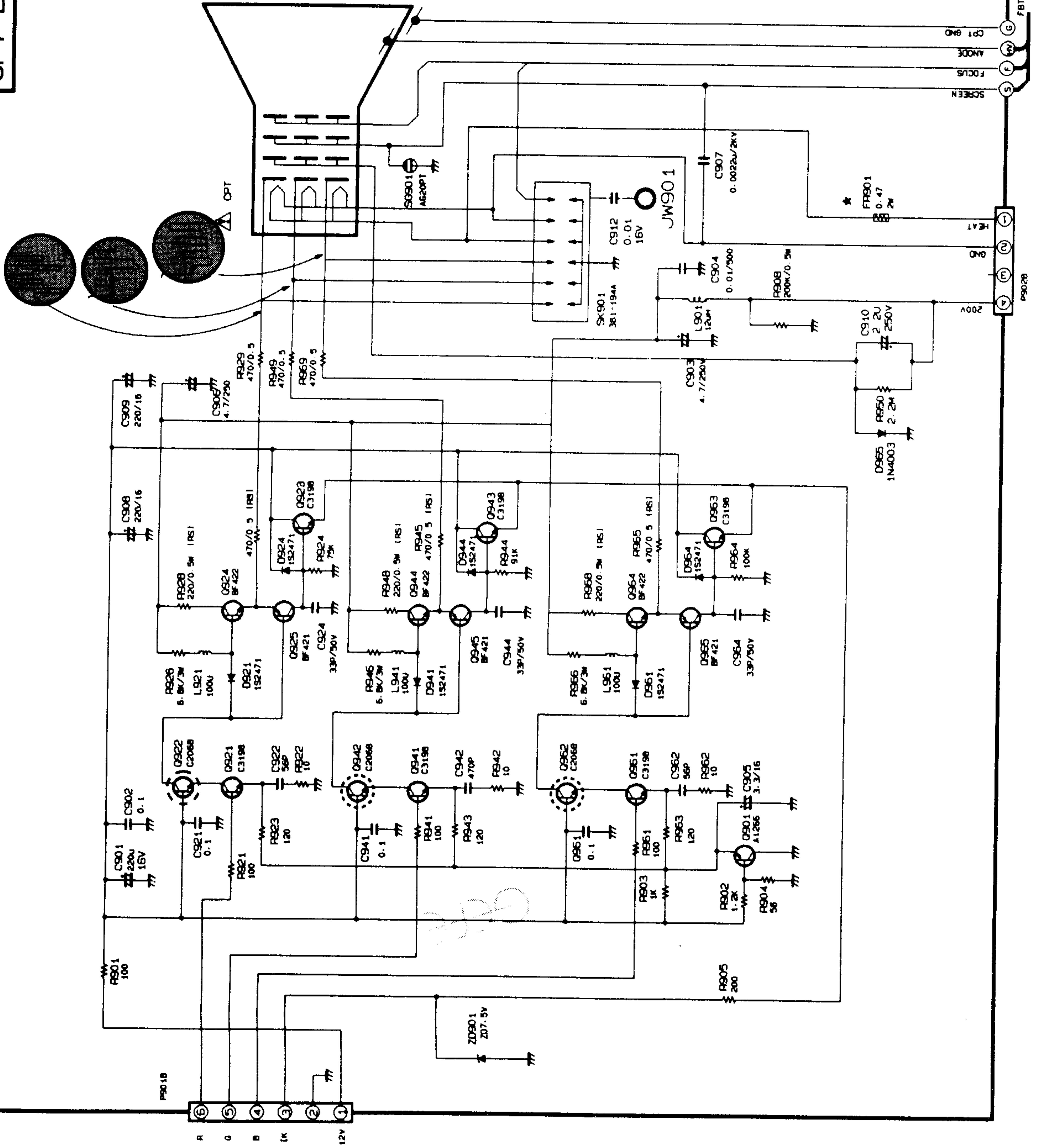
< FOR A50 SERIES >



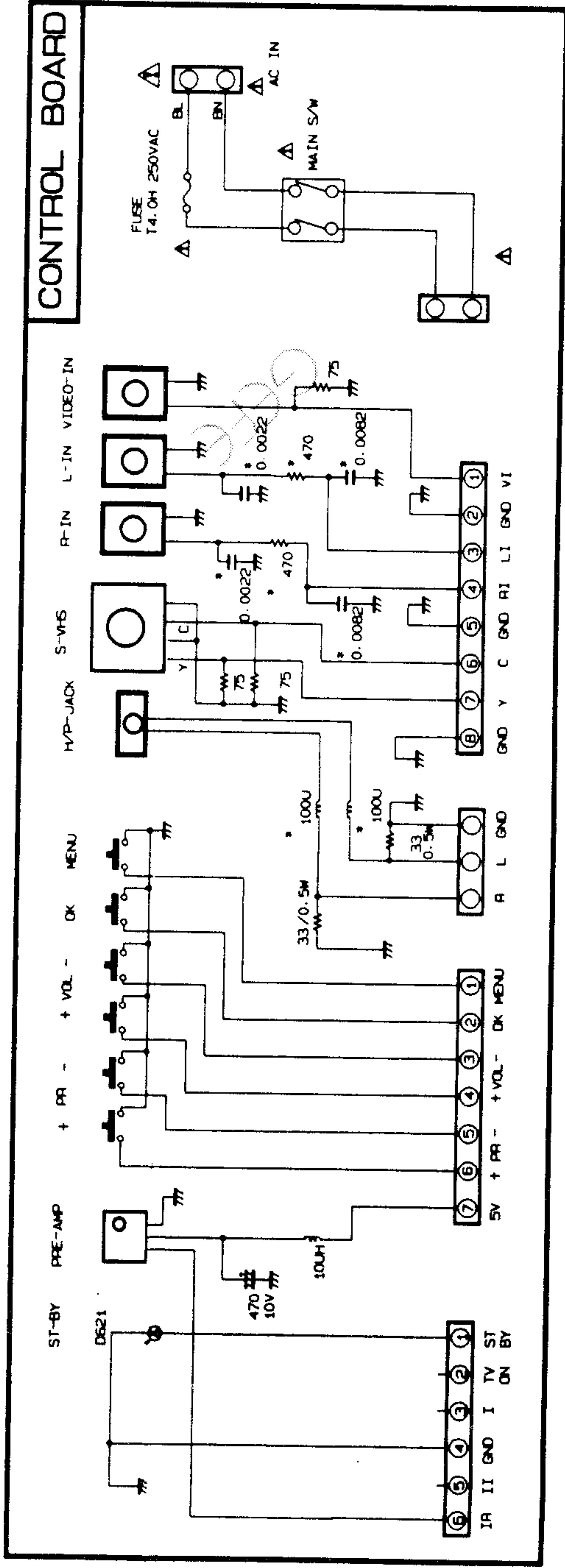
< FOR C28/A28 SERIES >



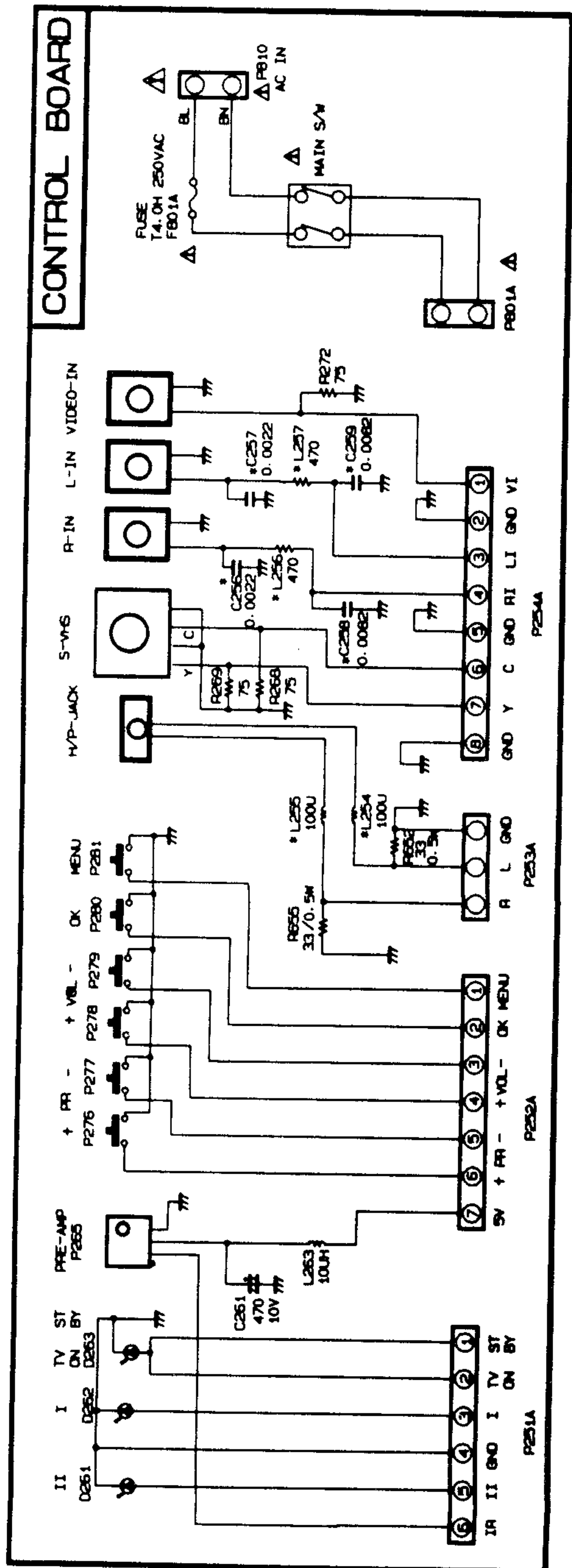
# CPT BOARD

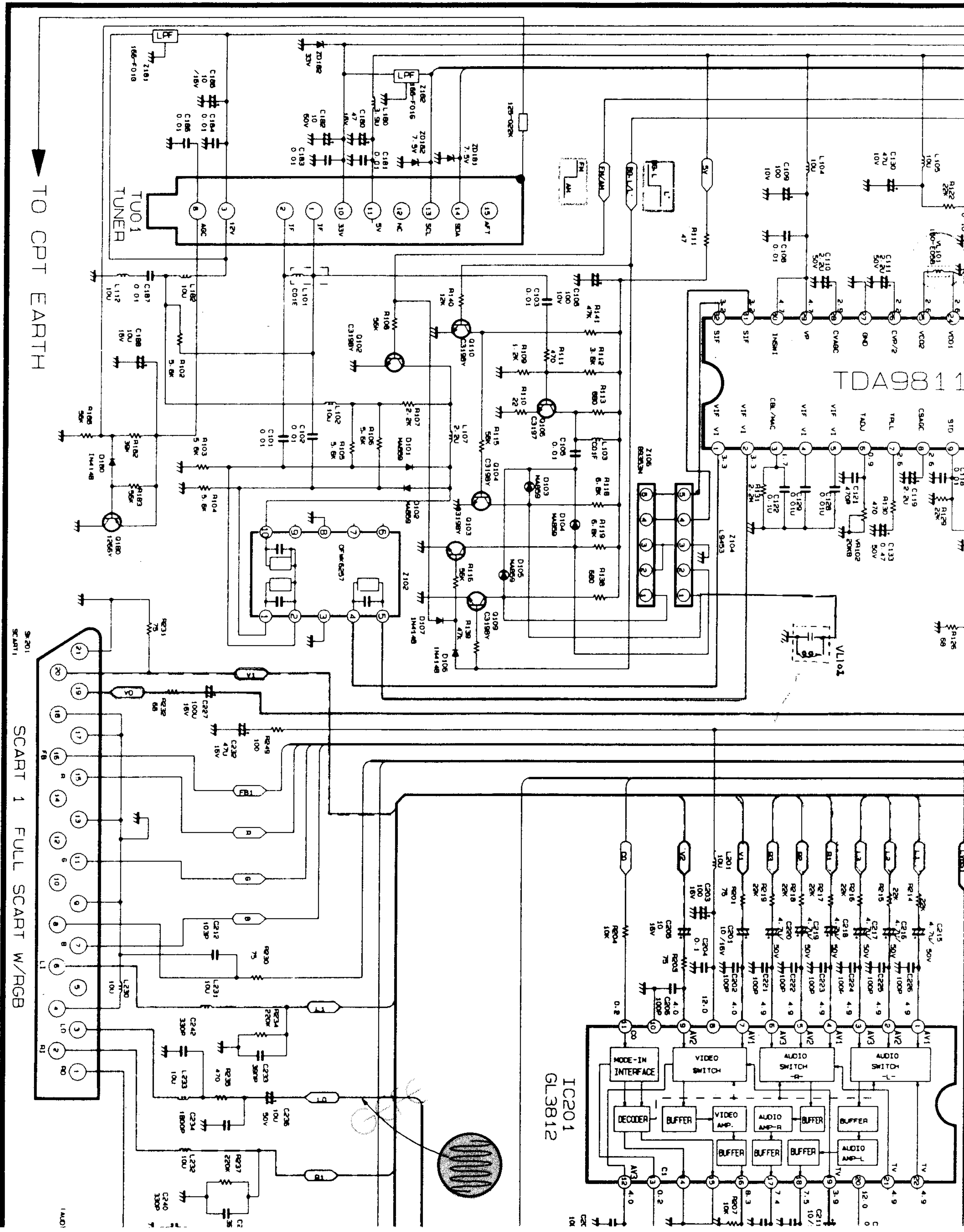


< FOR A50 SERIES >



< FOR C28/A28 SERIES >



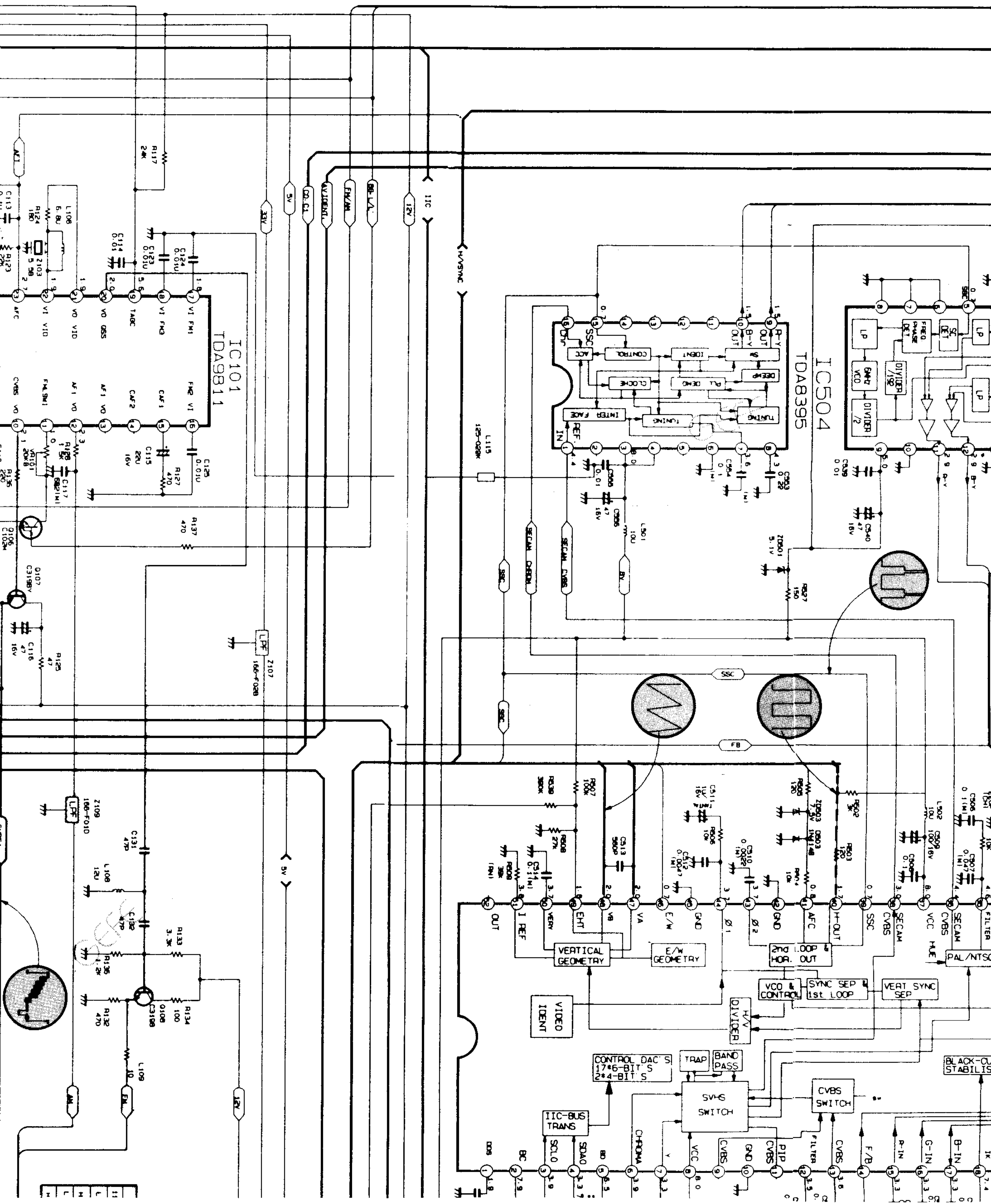


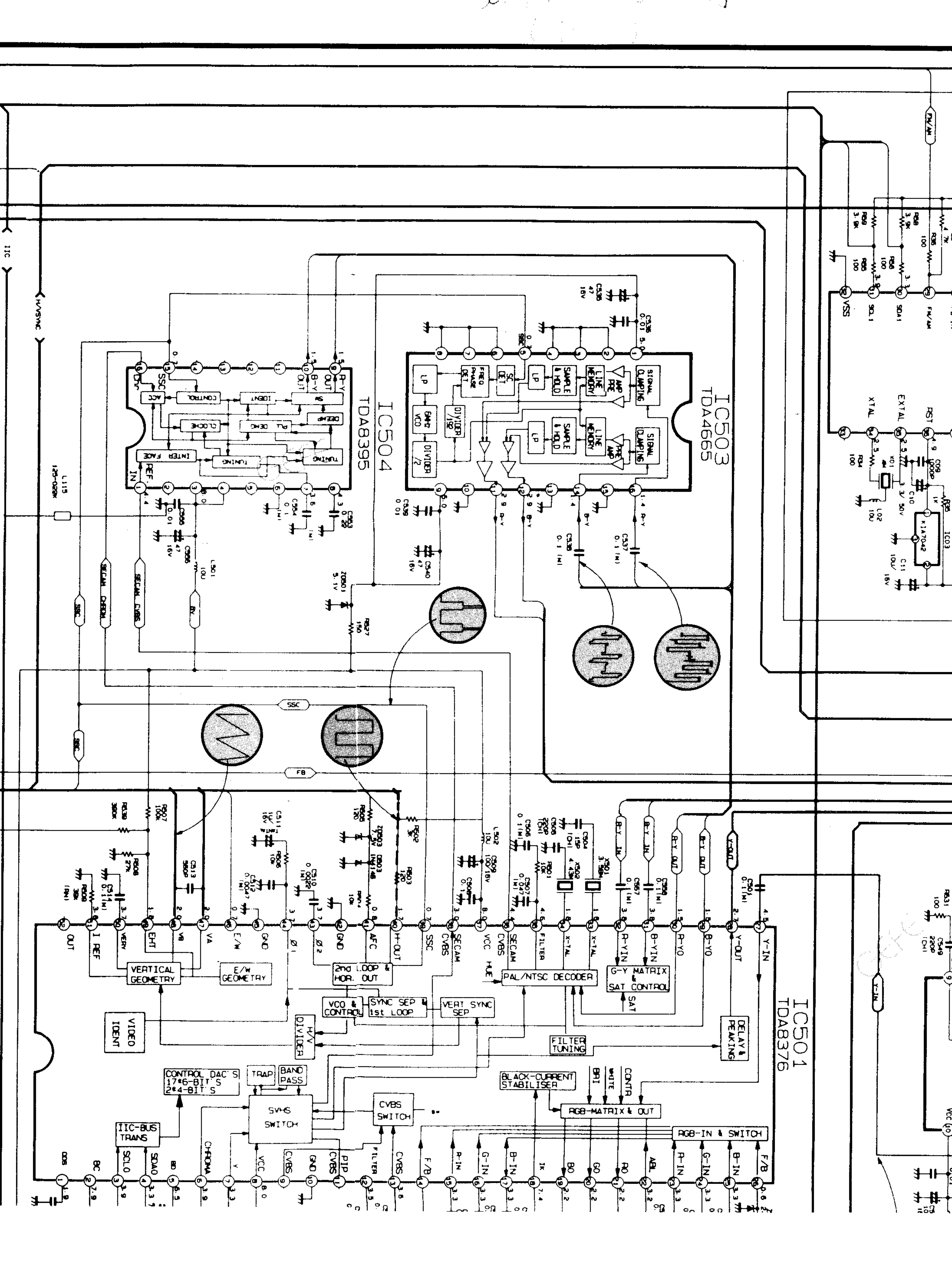
SCART 1 FULL SCART W/RGB

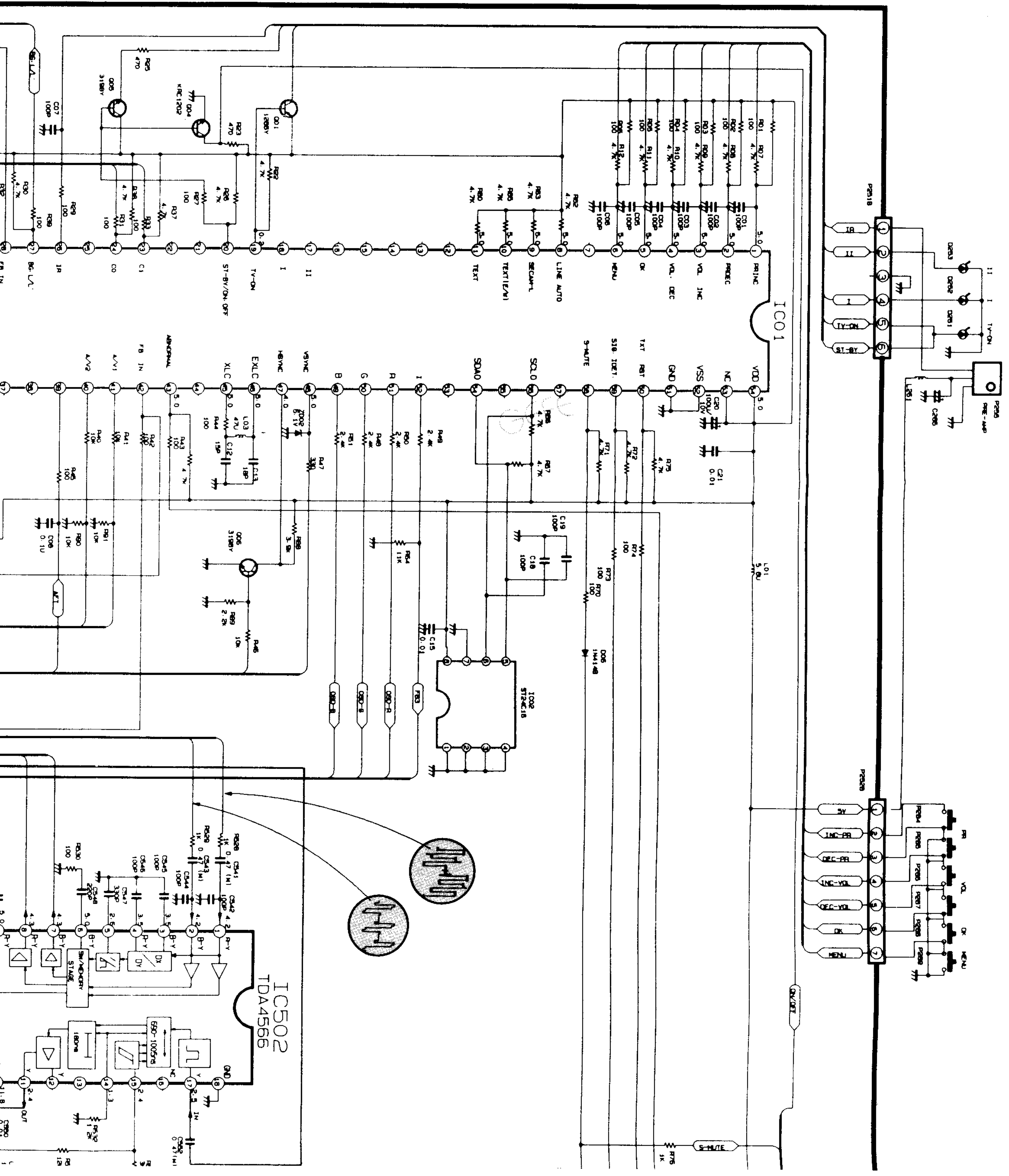
TO OPT EARTH

5K201 SCART 1

(A.O.)

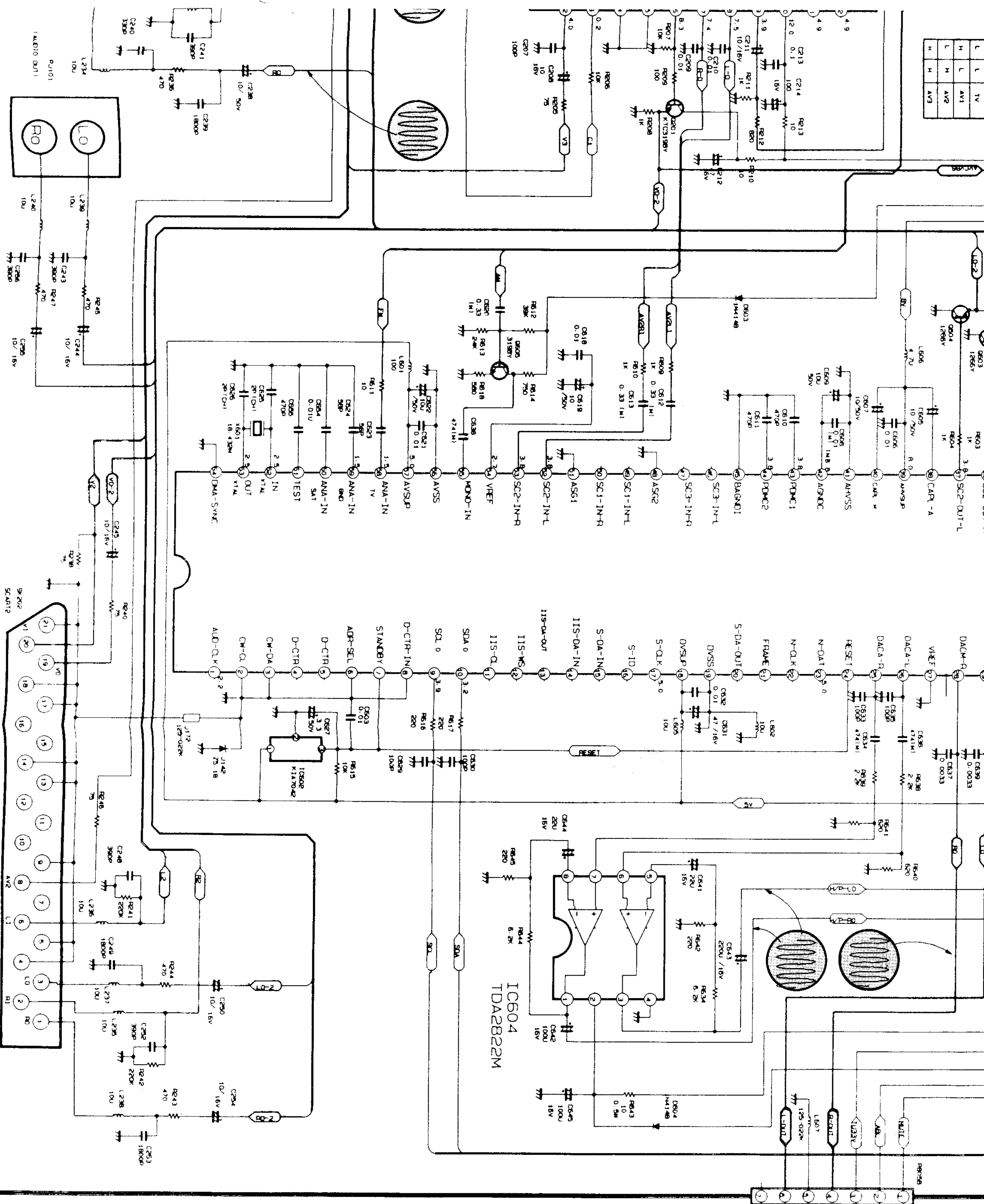








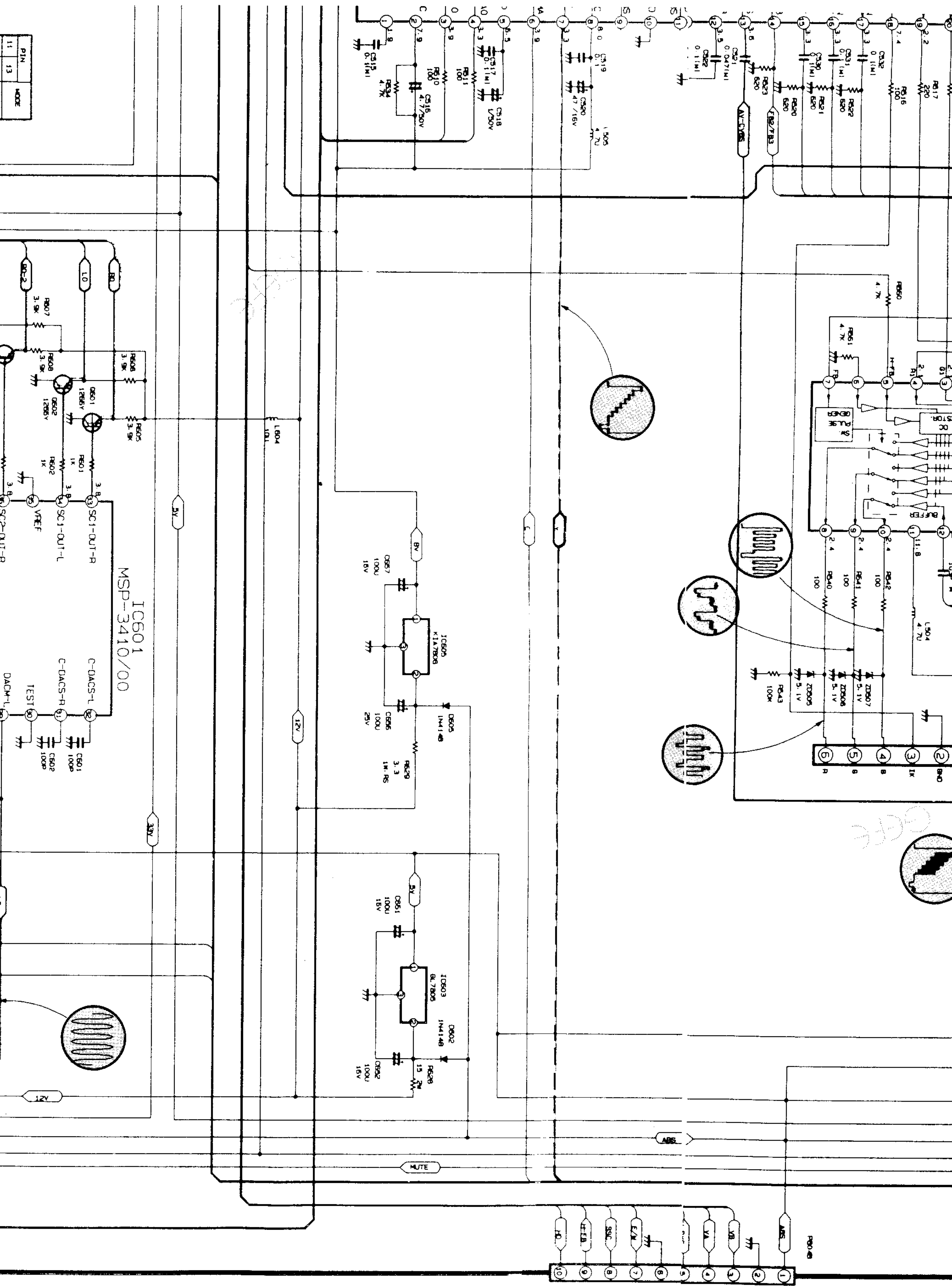
L	L	TV
H	L	AV1
L	M	AV2
H	H	AV3



SCART 2 (HALF)

IC604  
TDA2822M

PIN	MODE
11	
13	



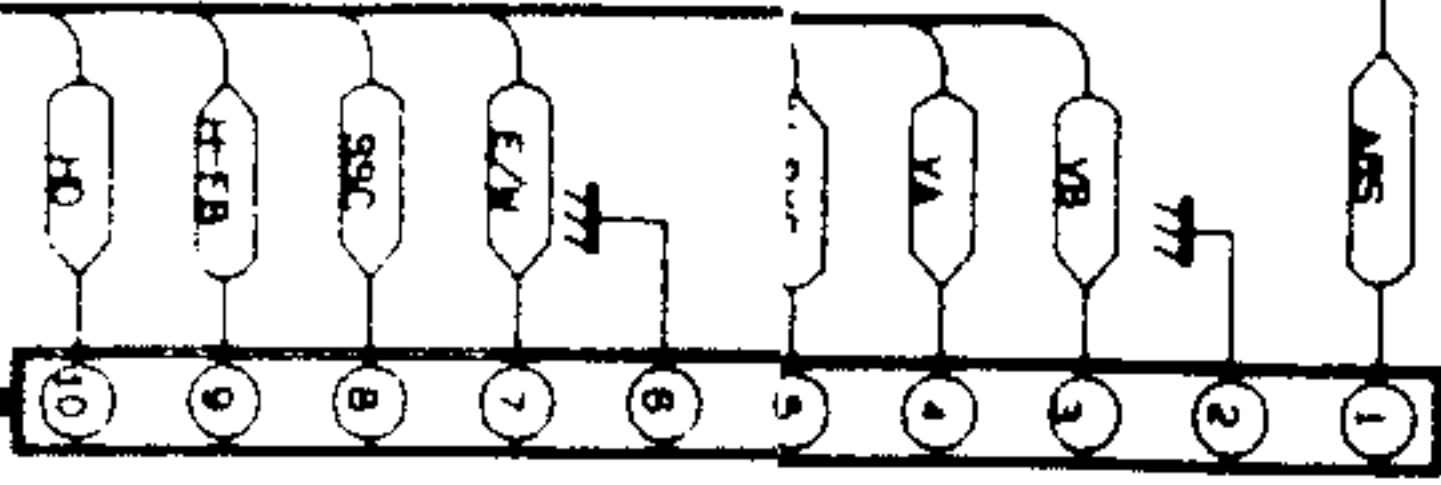
IC601  
MSP-3410/00

5V

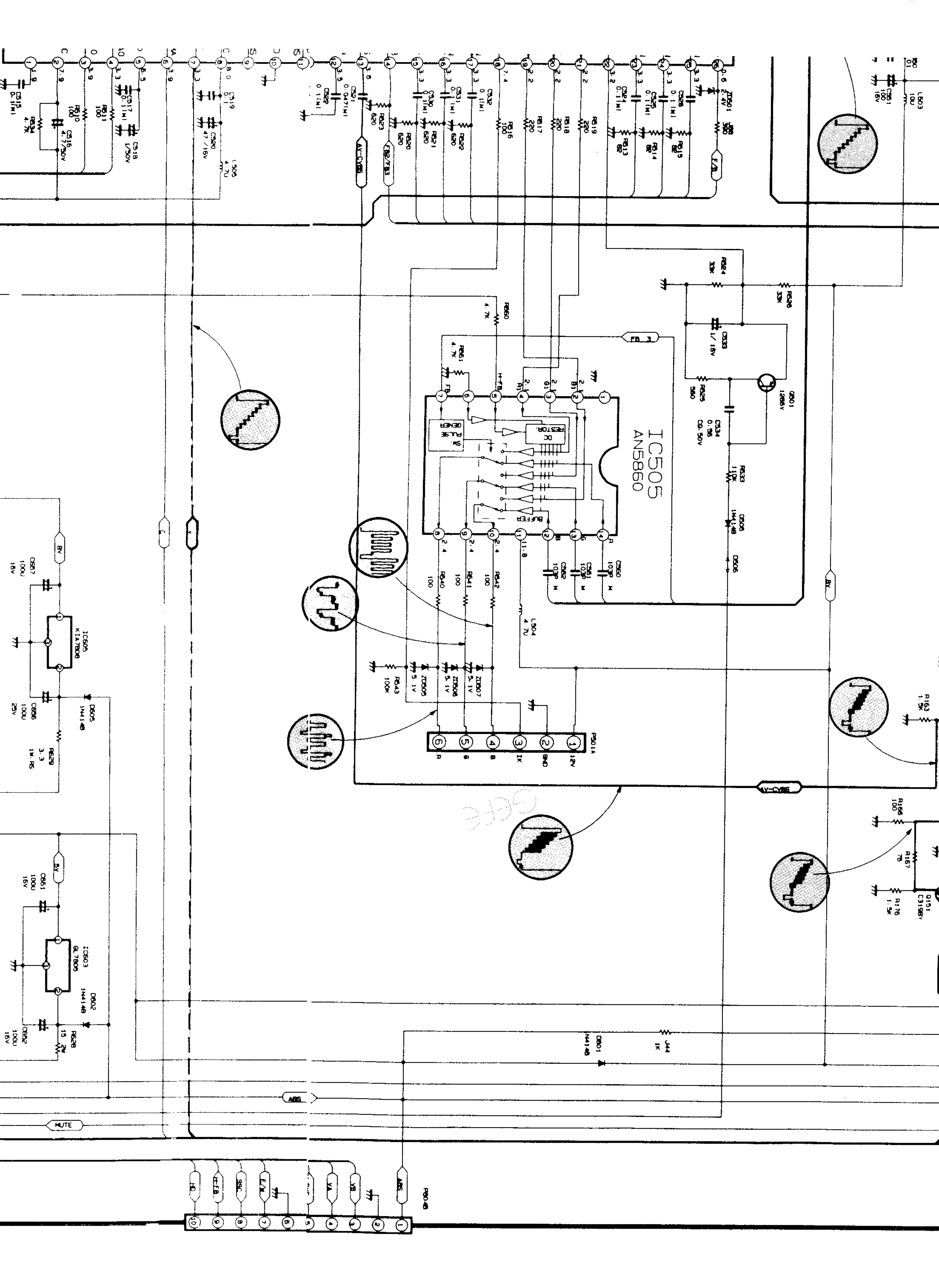
33V

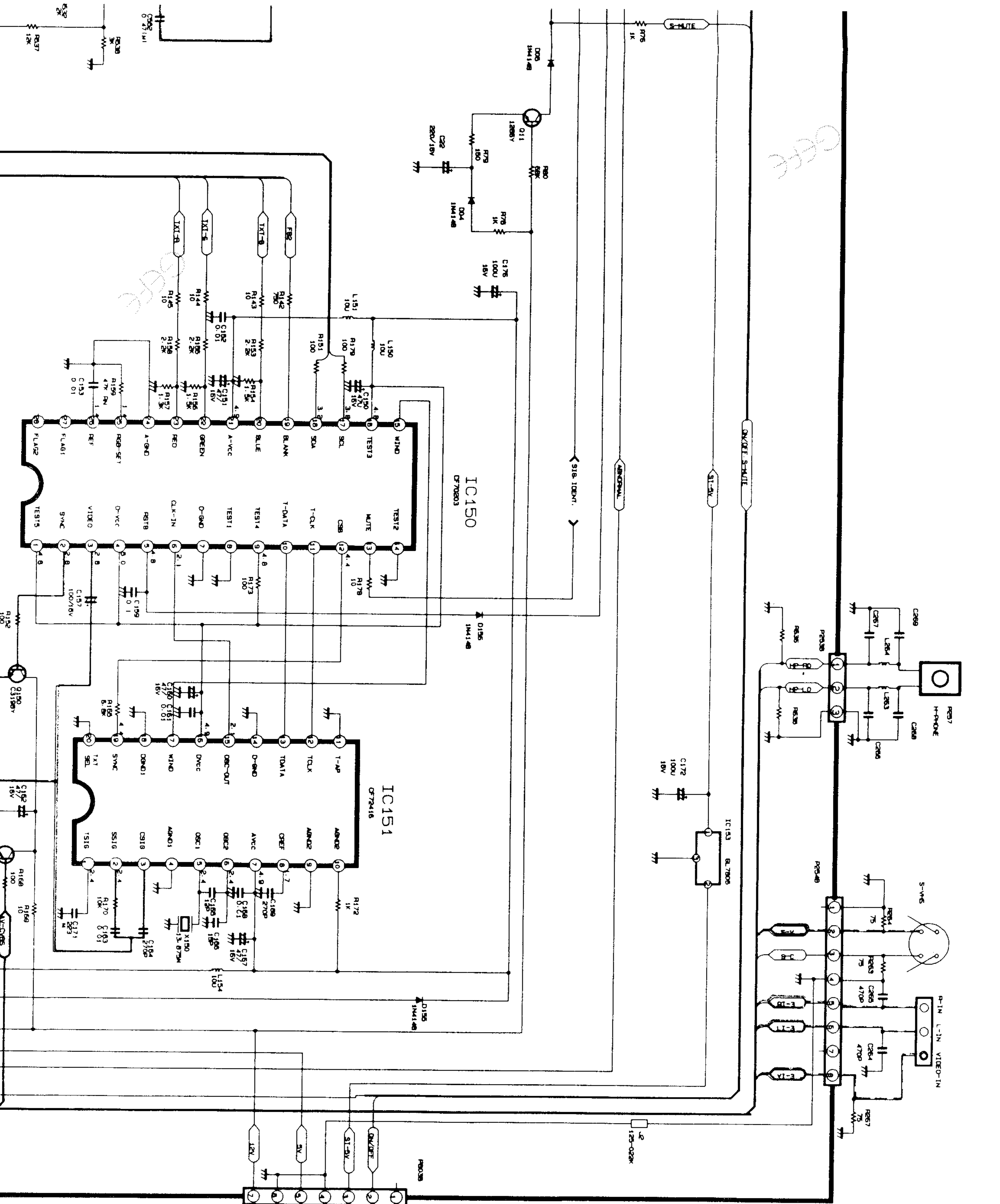
12V

MUTE

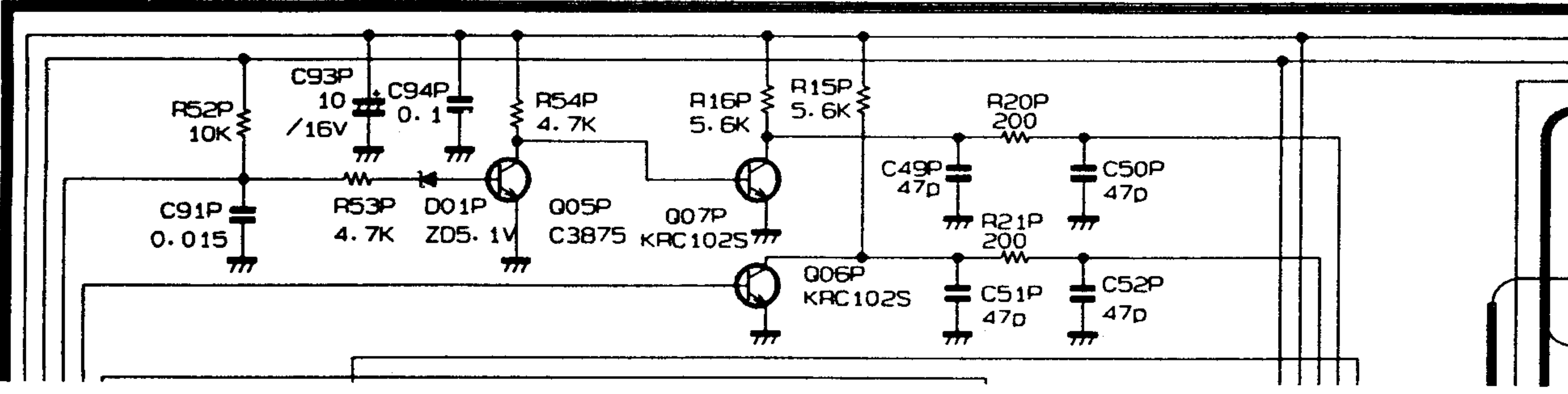
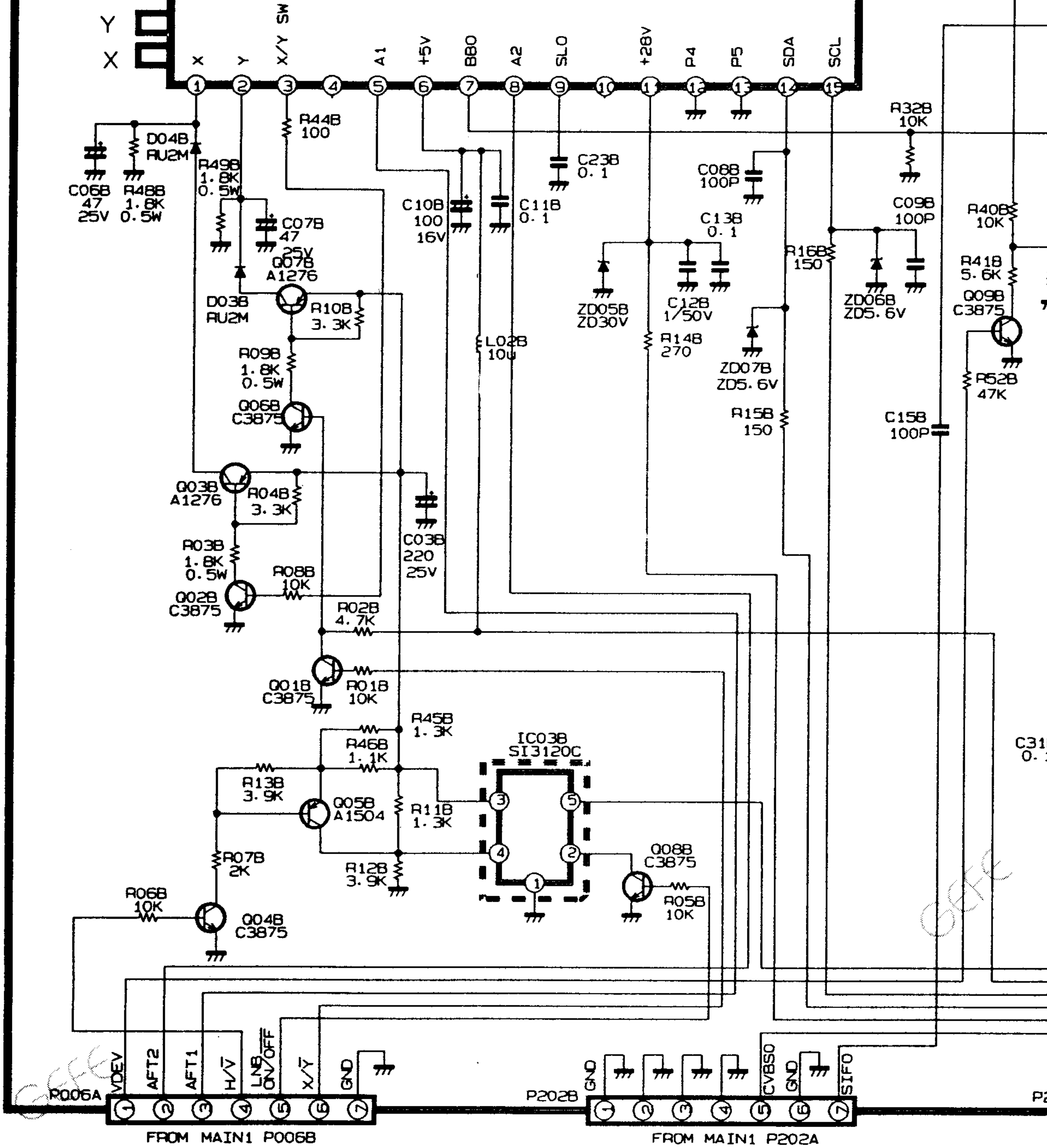


3300

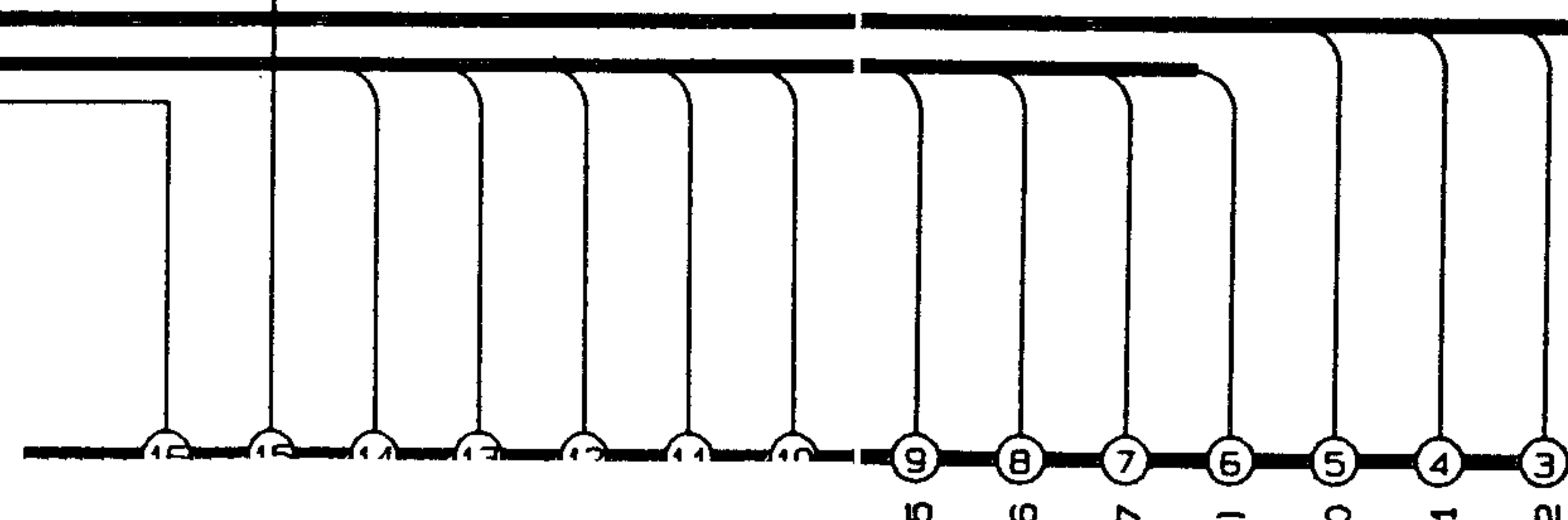
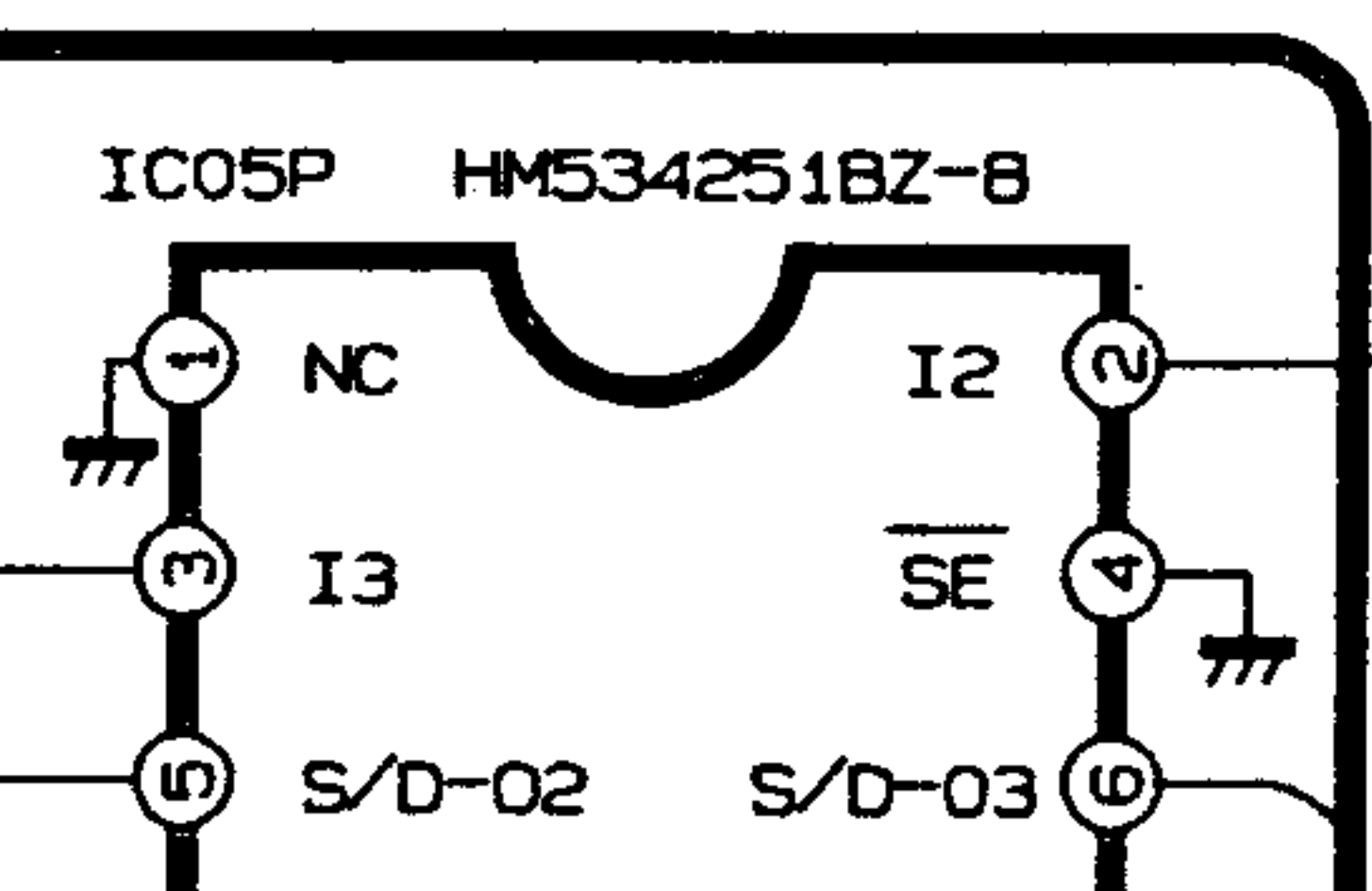
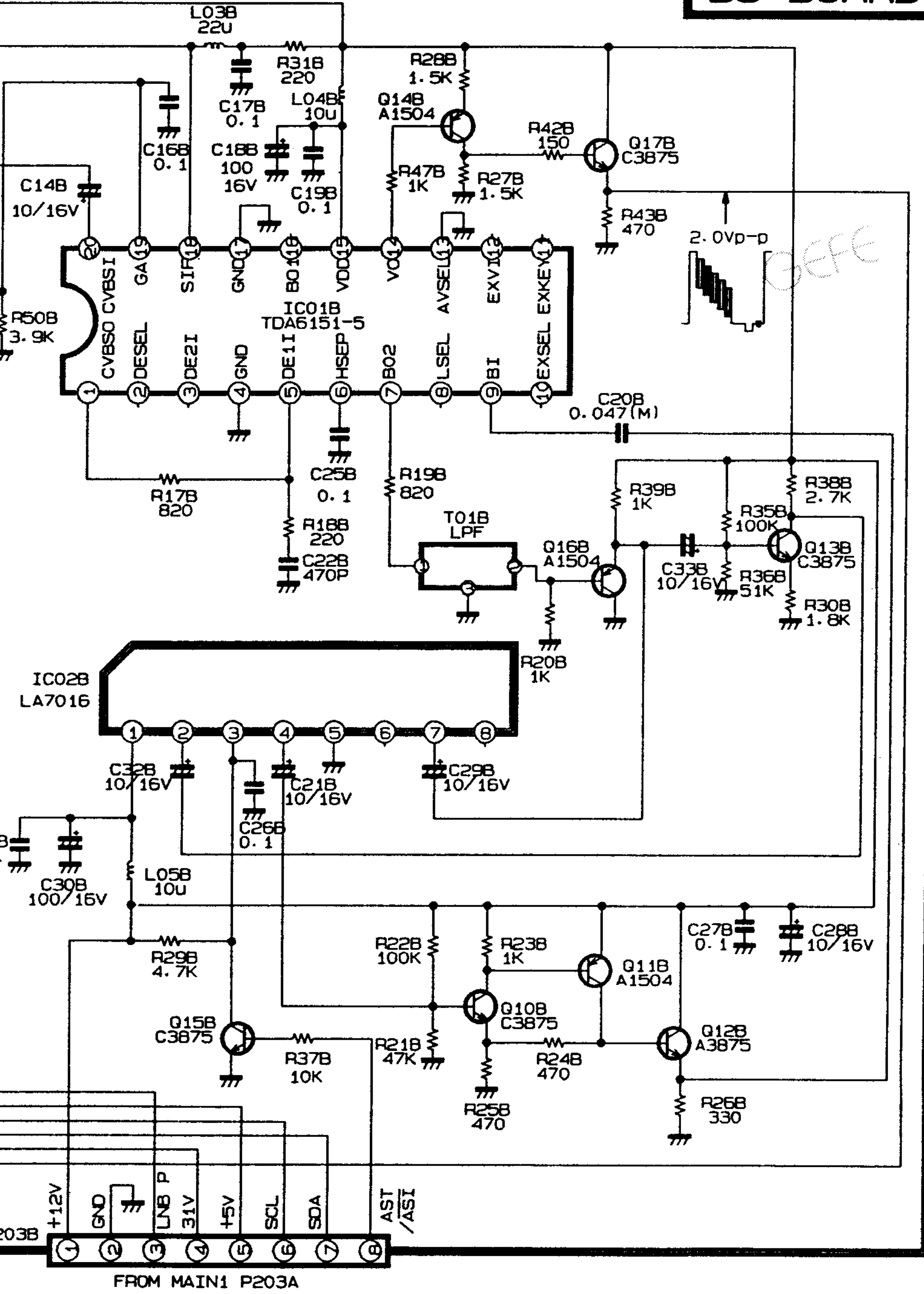




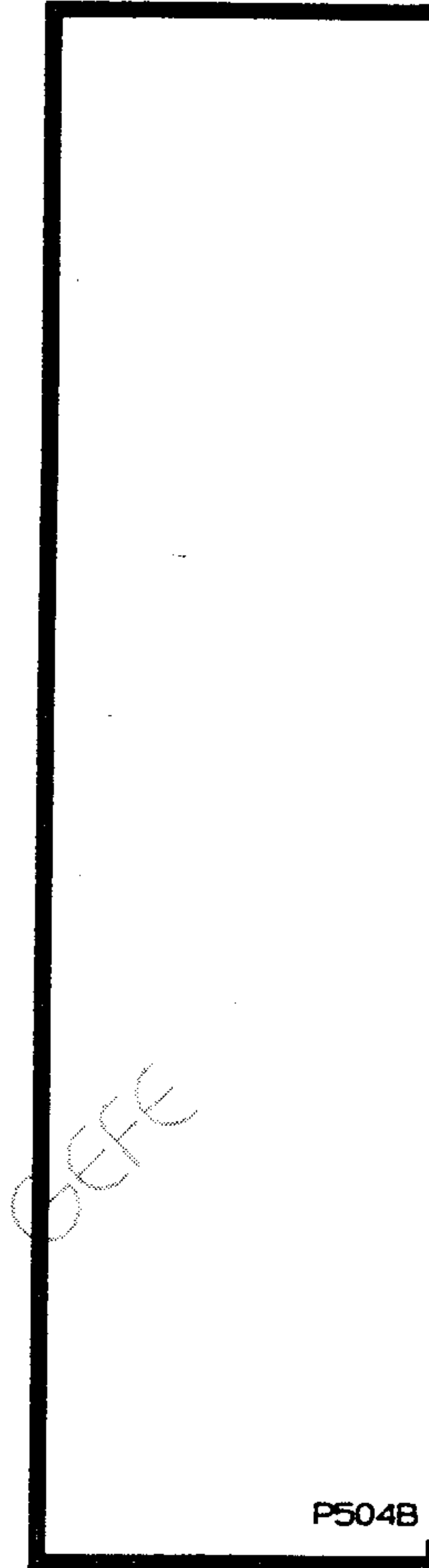
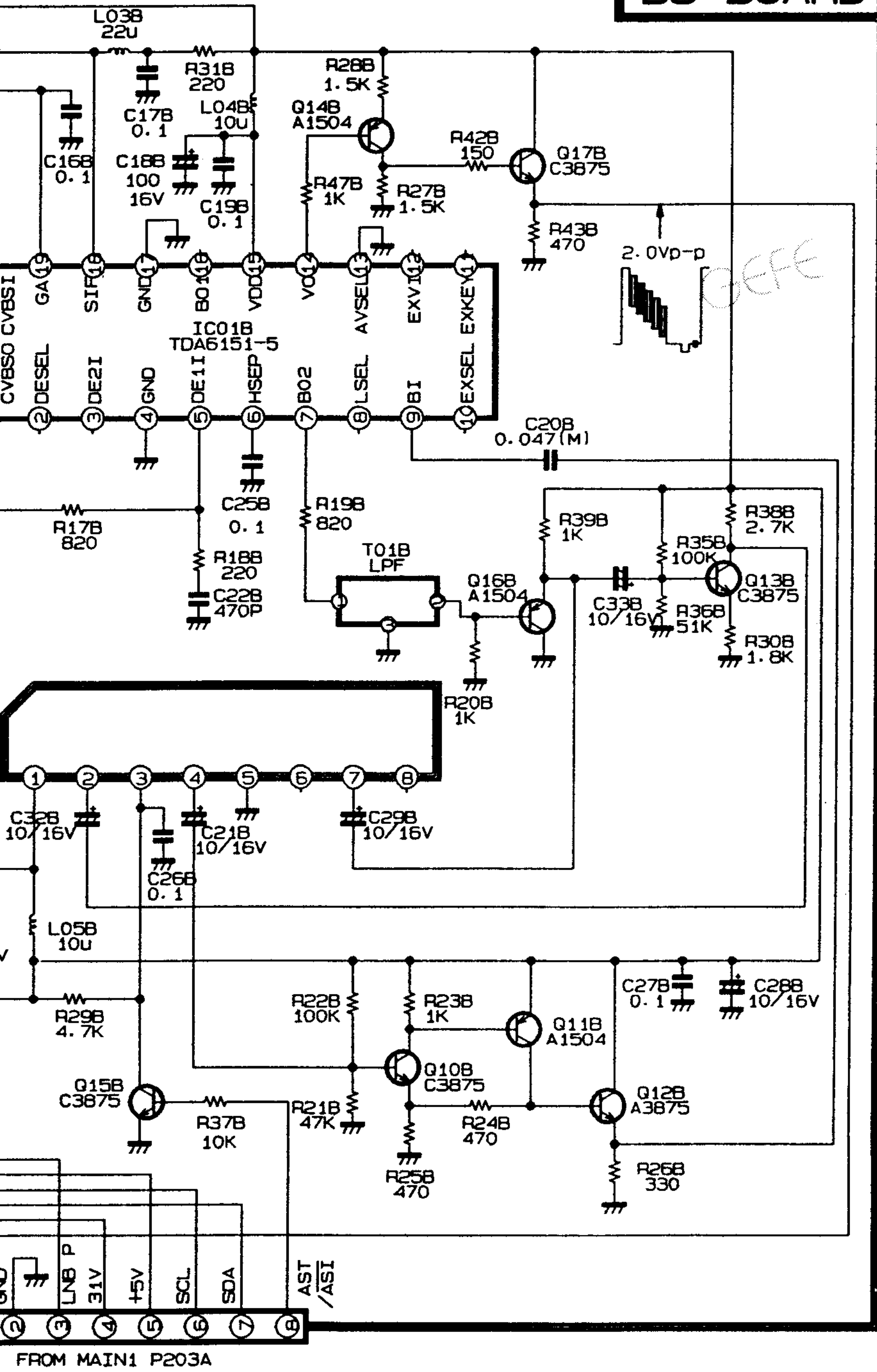
TU01B  
113-248A



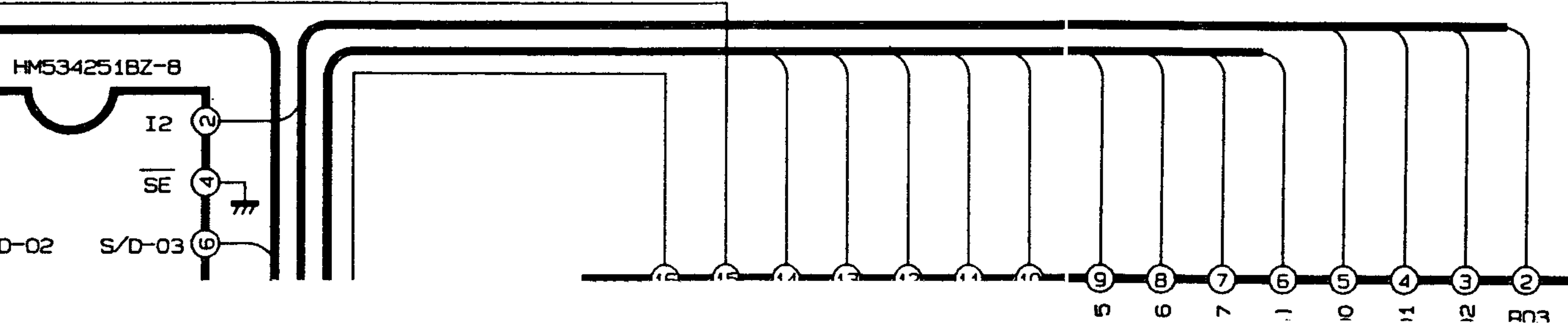
# BS BOARD



# BS BOARD



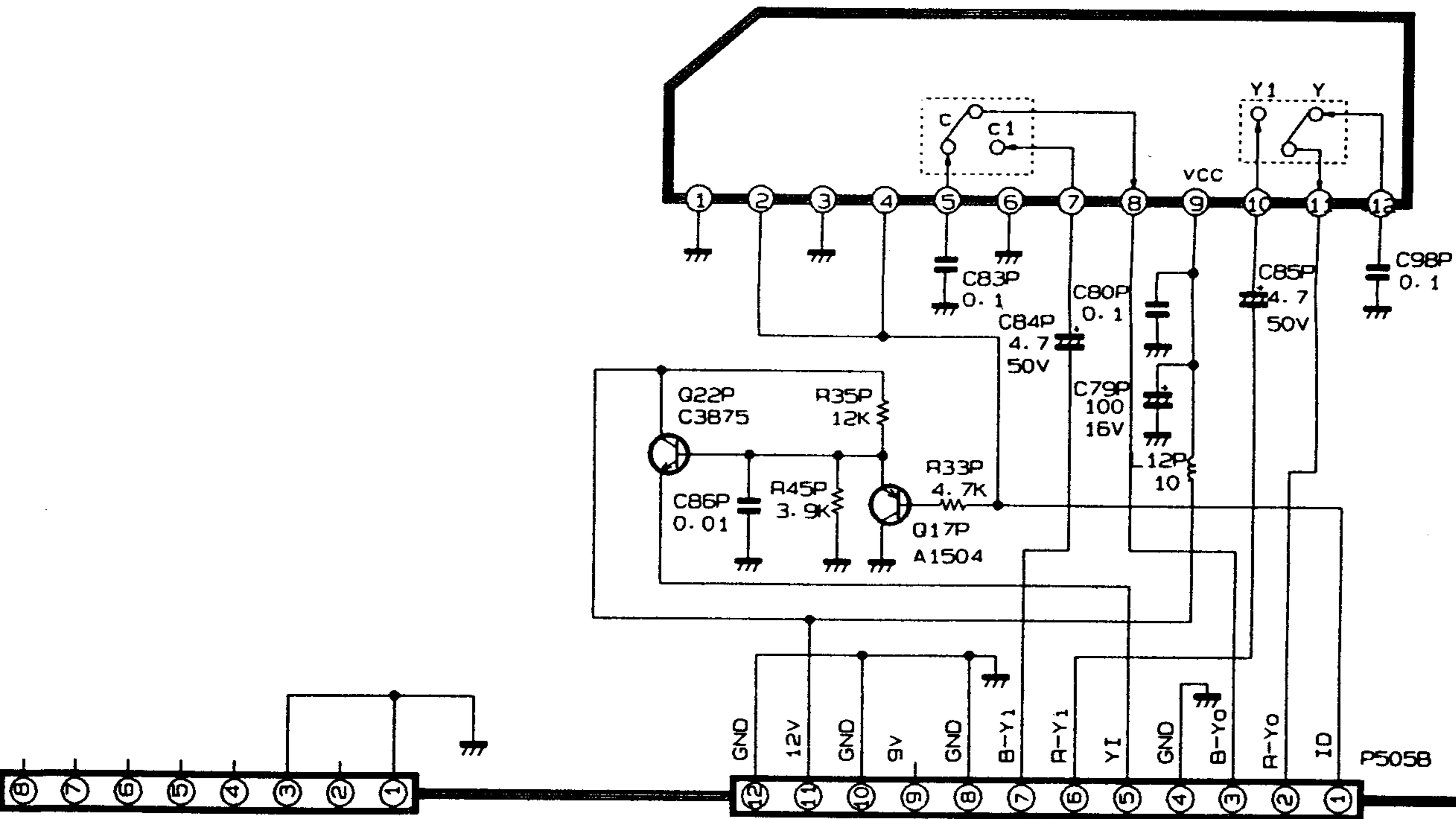
P504B



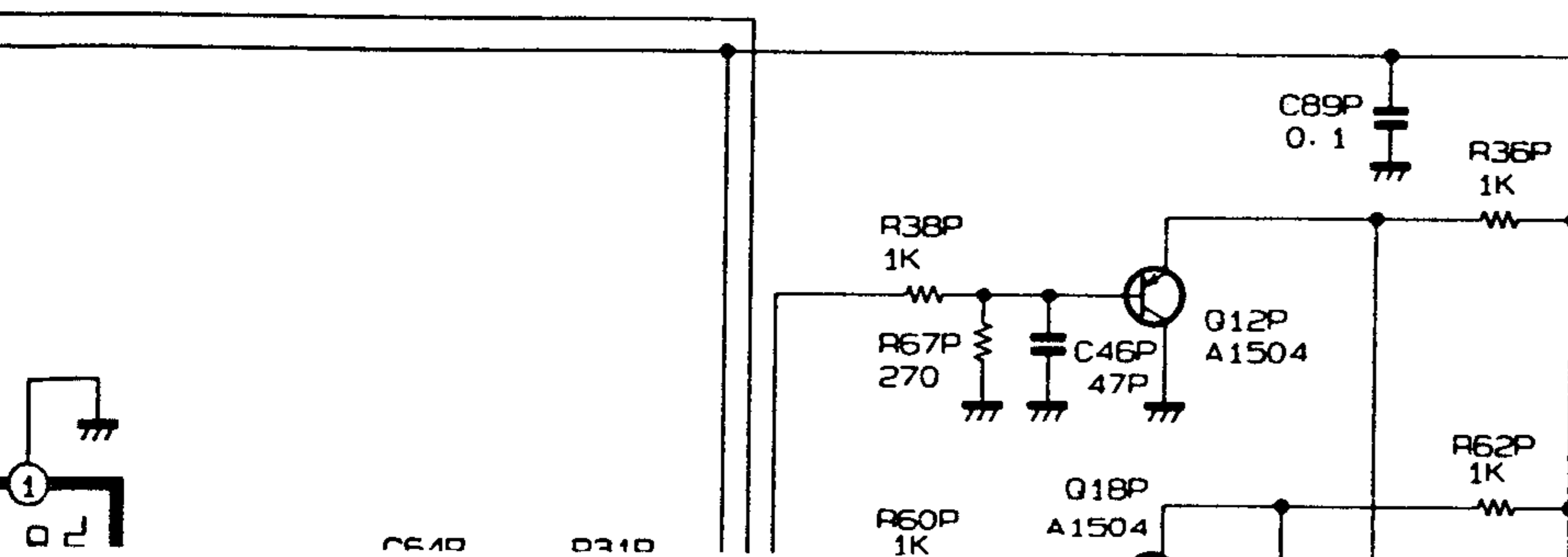
GEFE

### W/O PIP BOARD

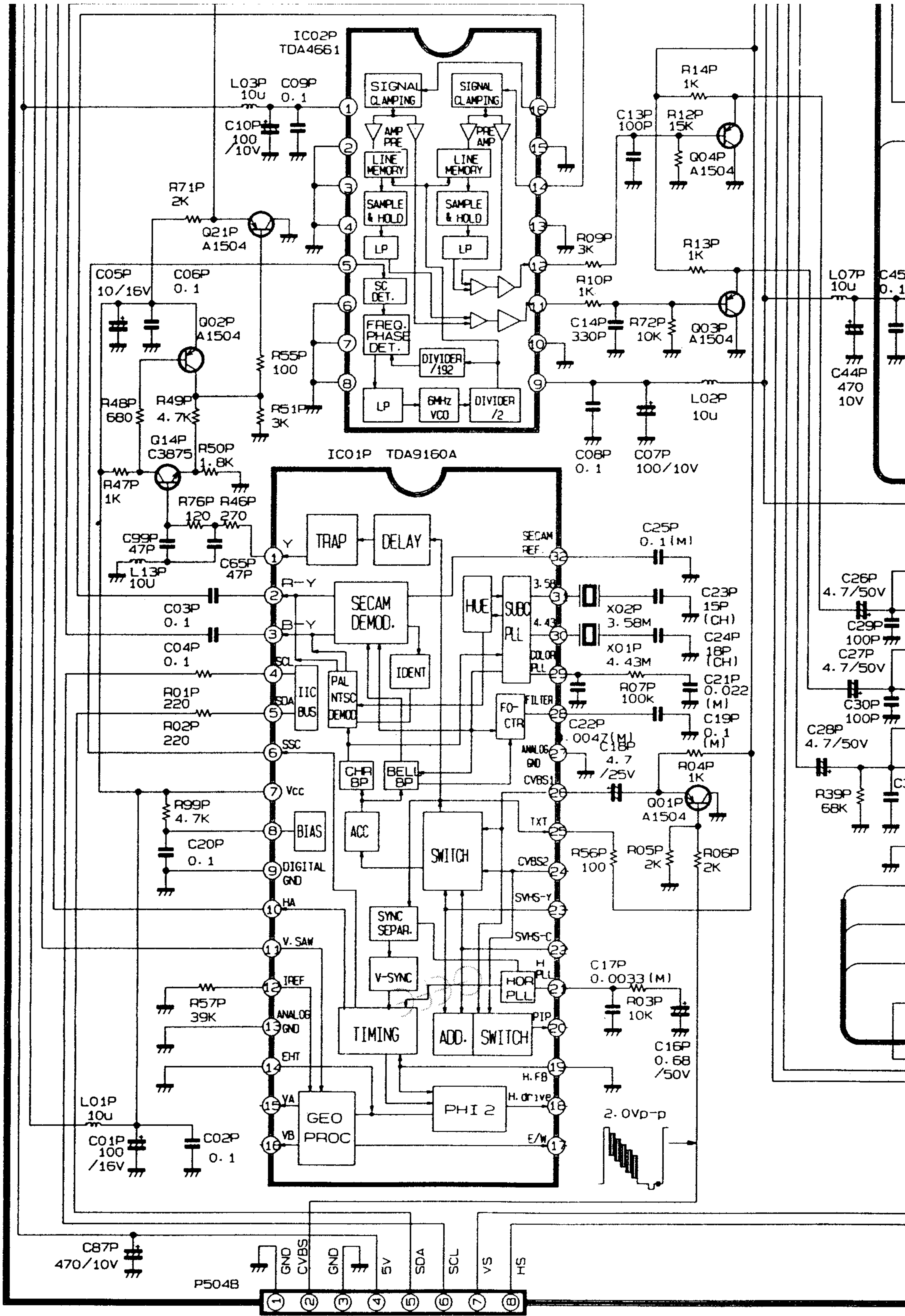
IC08P  
LA7222



### PIP BOARD



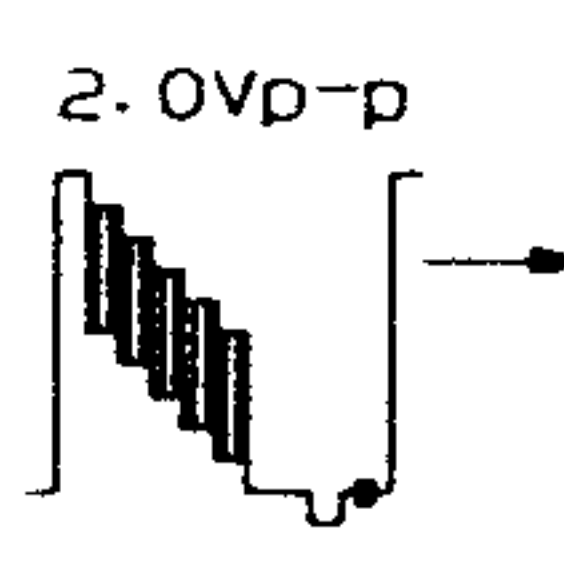




IC02P  
TDA4661

IC01P  
TDA9160A

FROM MAIN1 P504A



P504B

C87P  
470/10V

L07P  
10u

C45P  
0.1

C44P  
470  
10V

C26P  
4.7/50V

C29P  
100P

C27P  
4.7/50V

C30P  
100P

C28P  
4.7/50V

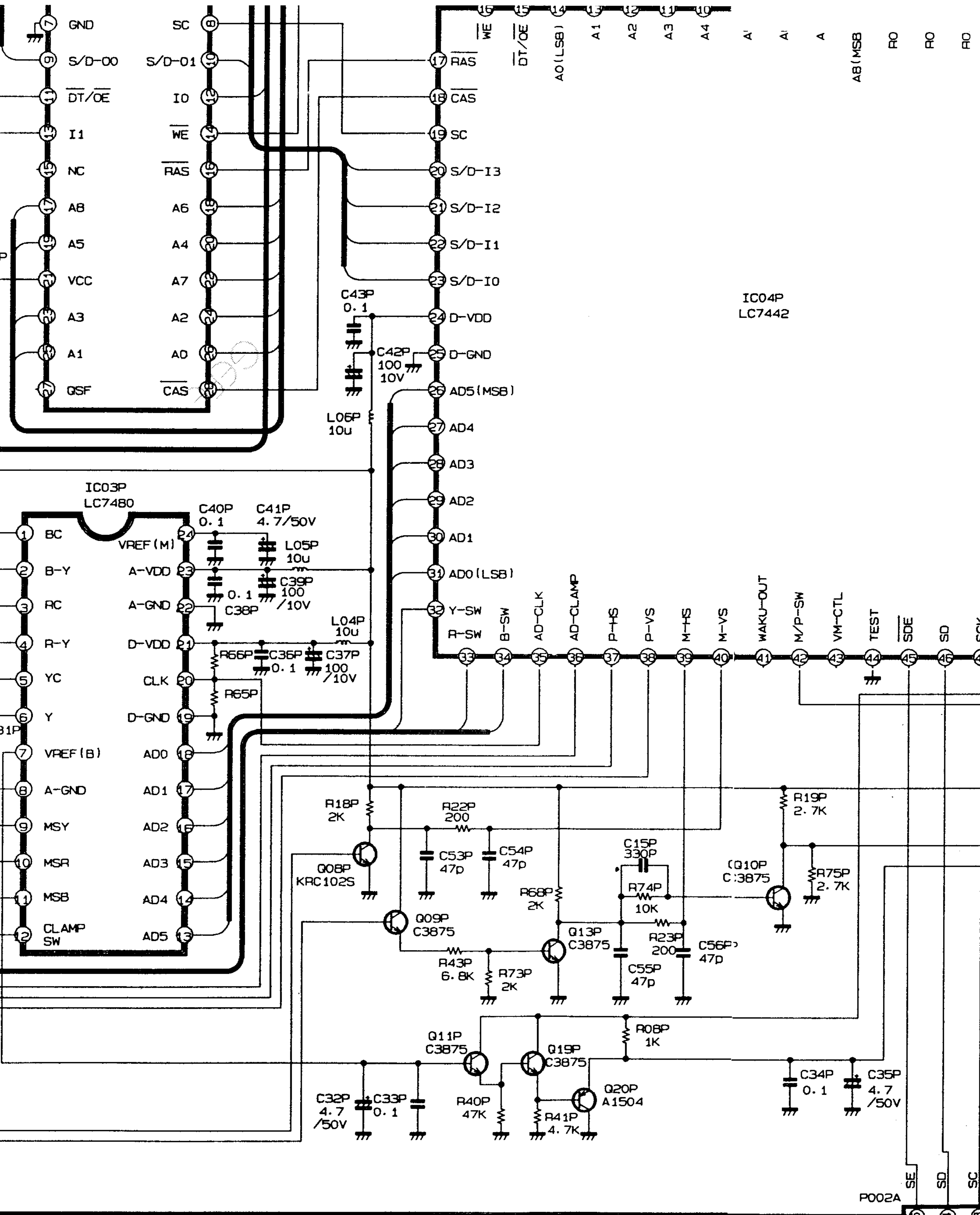
R39P  
68K

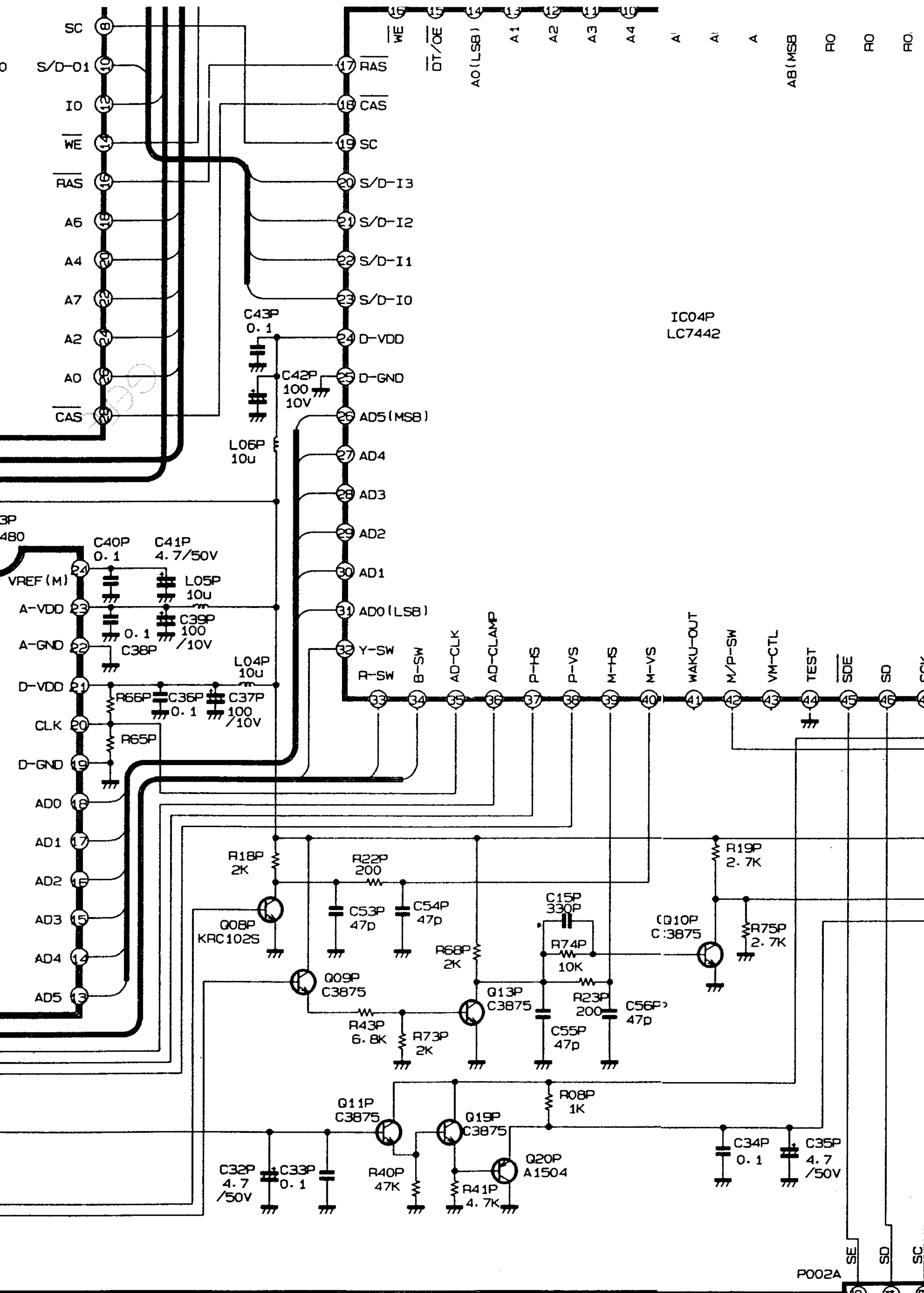
C31P  
100P

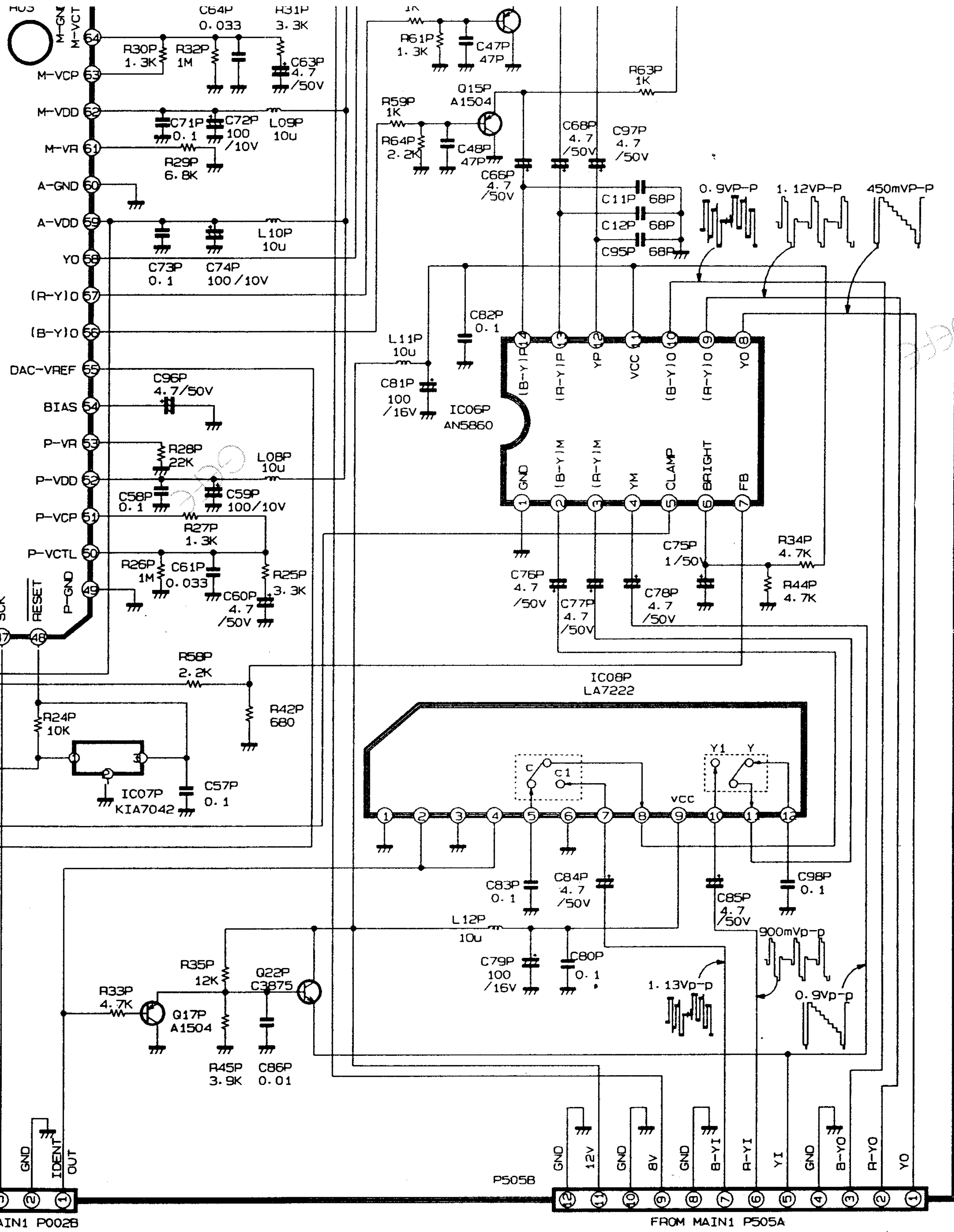
C32P  
100P

C33P  
100P

C34P  
100P

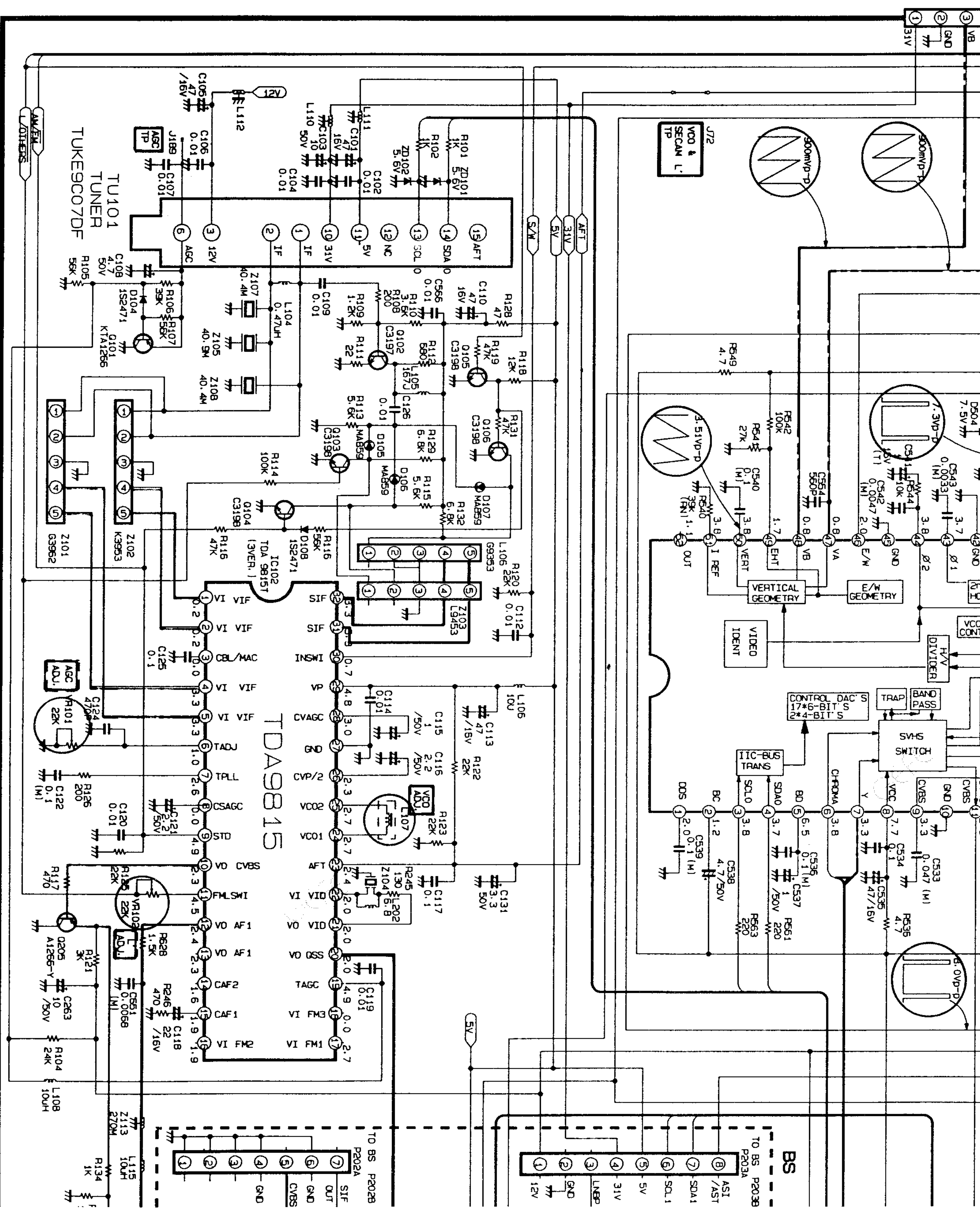


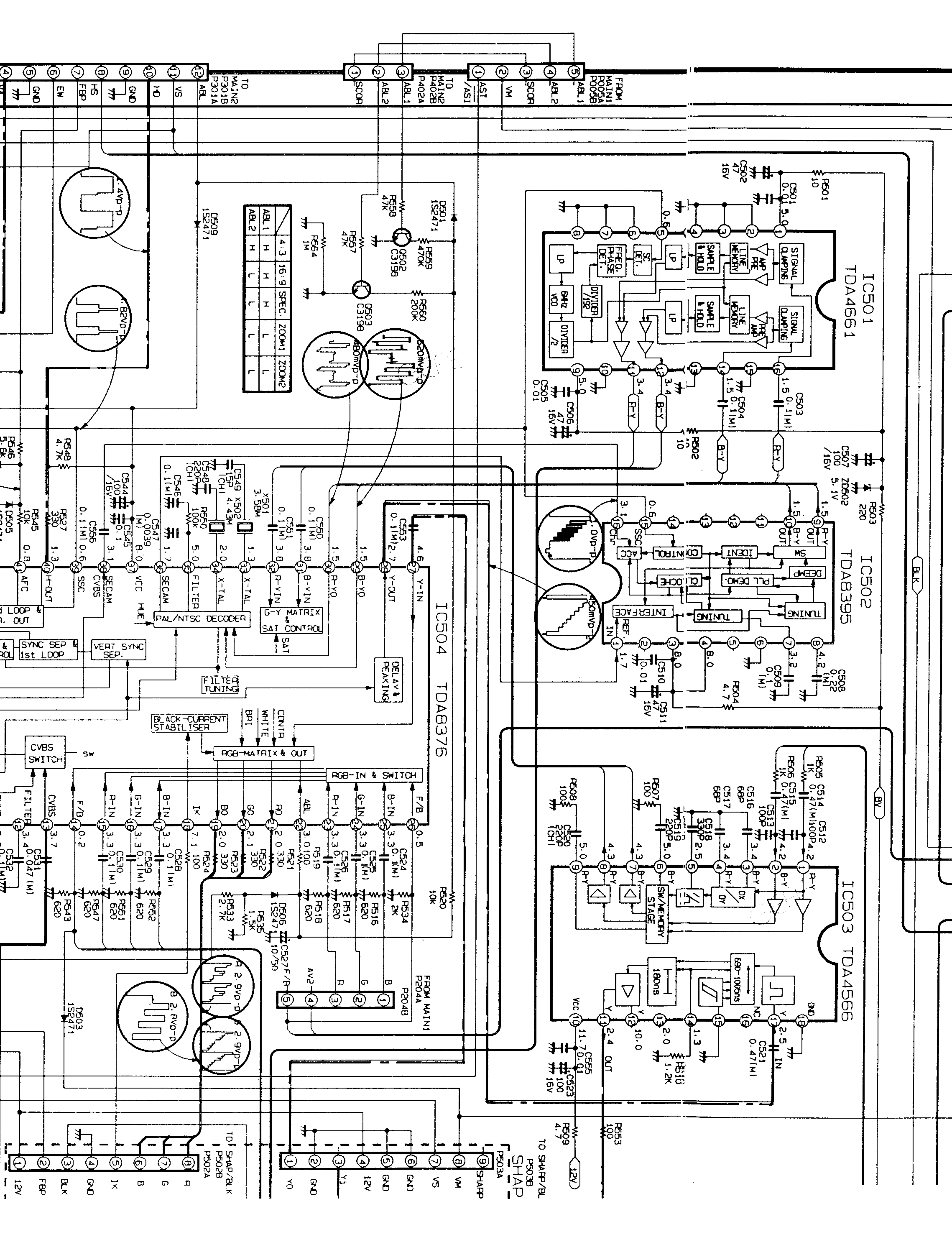


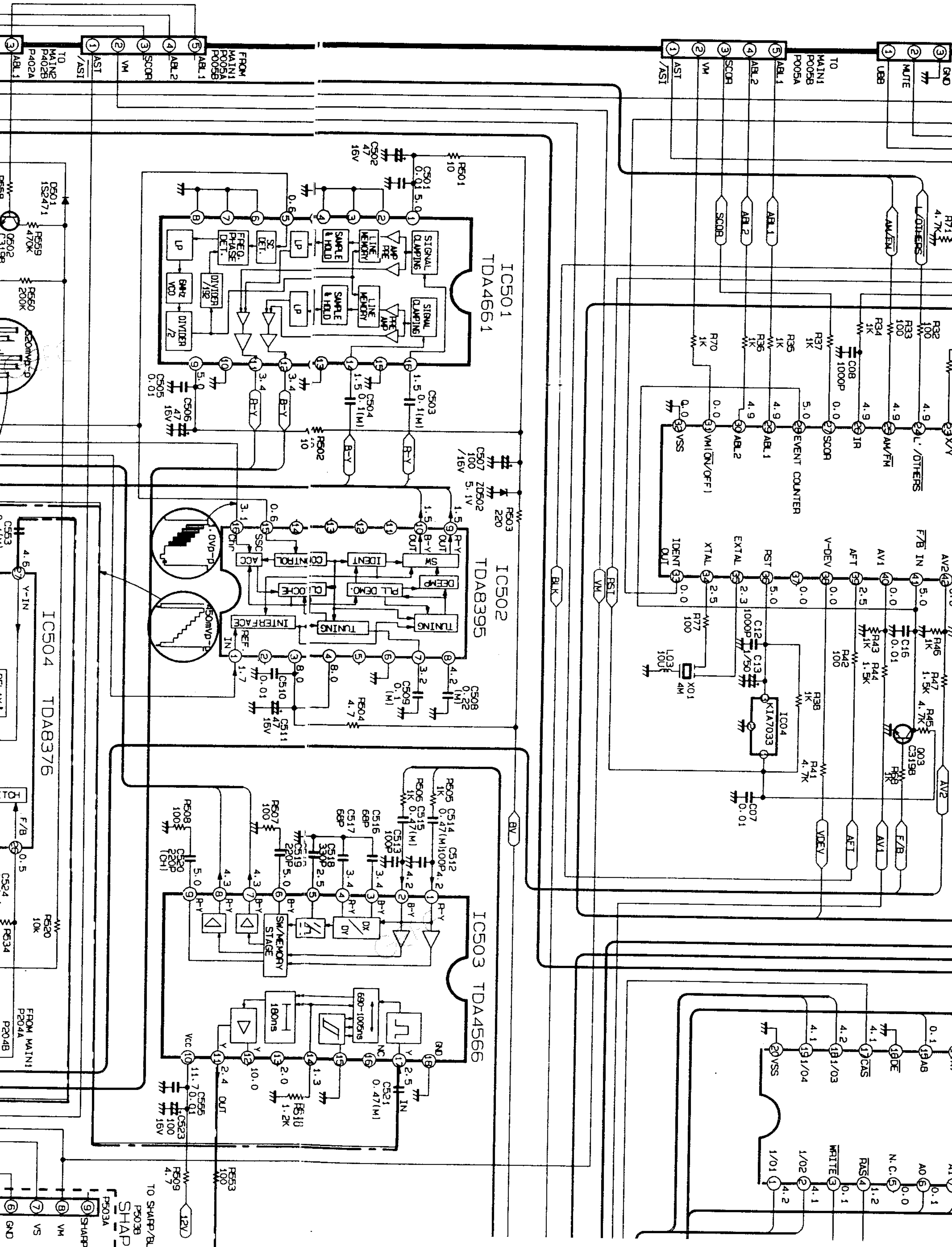


AIN1 P002B

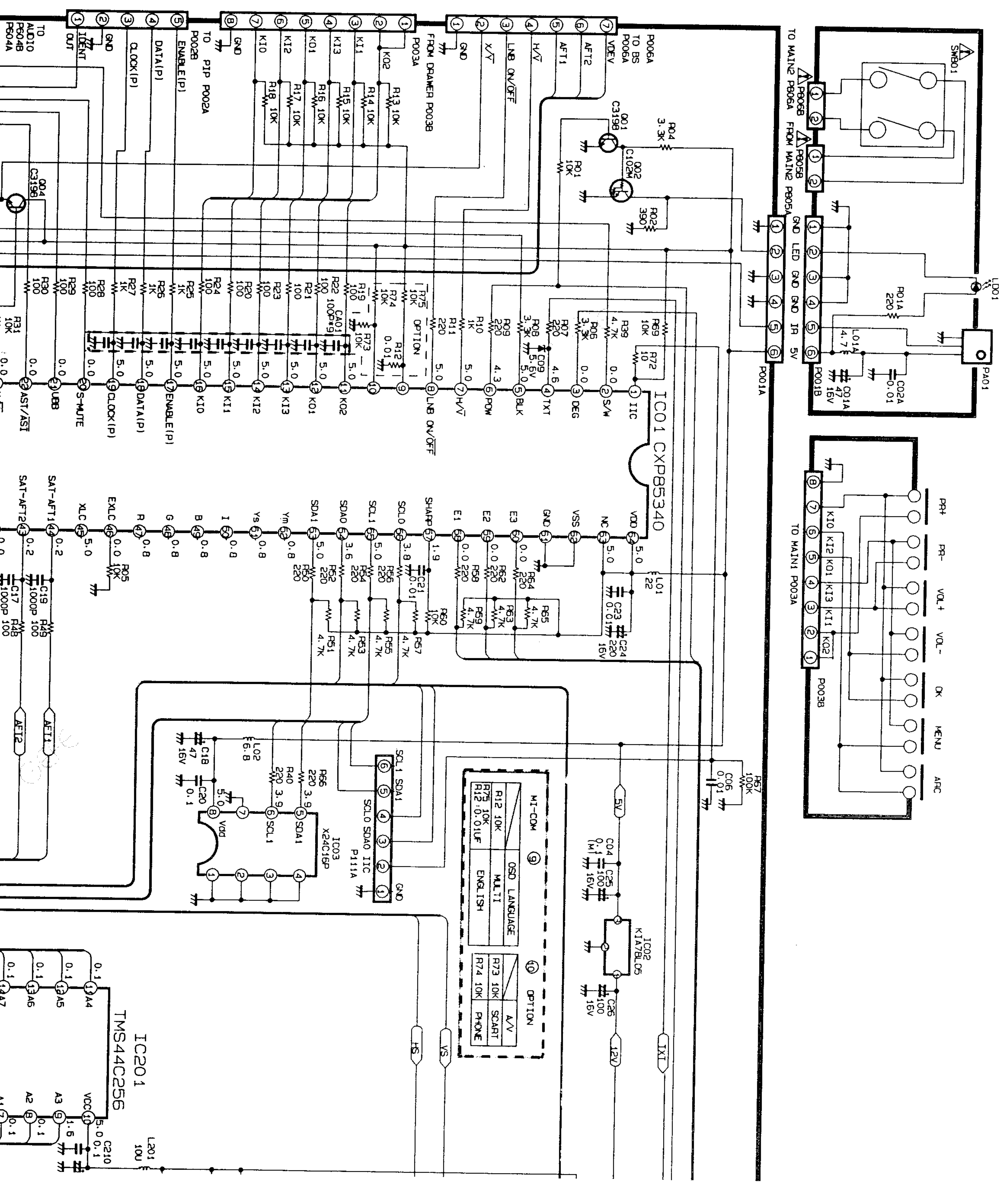
FROM MAIN1 P505A



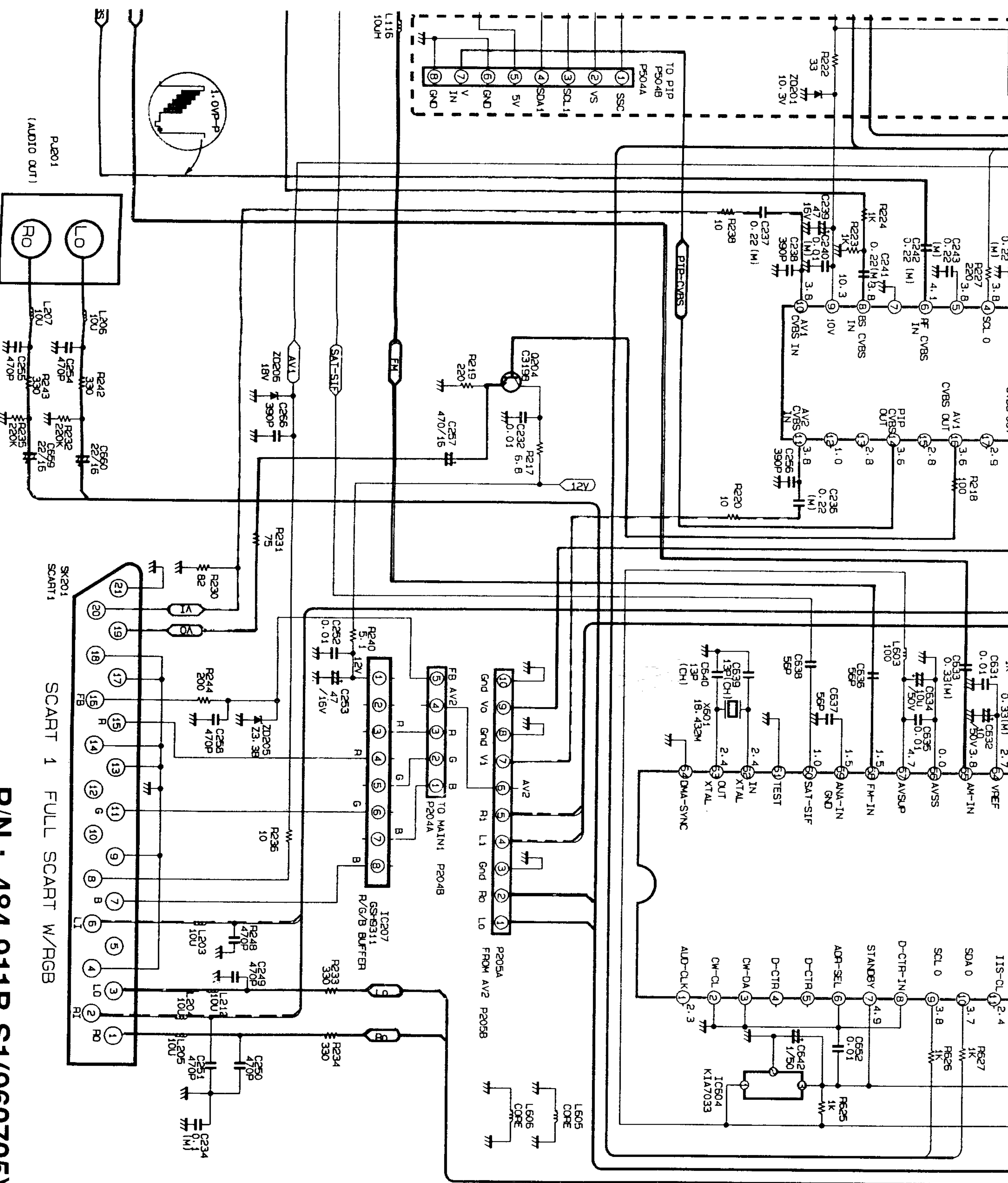




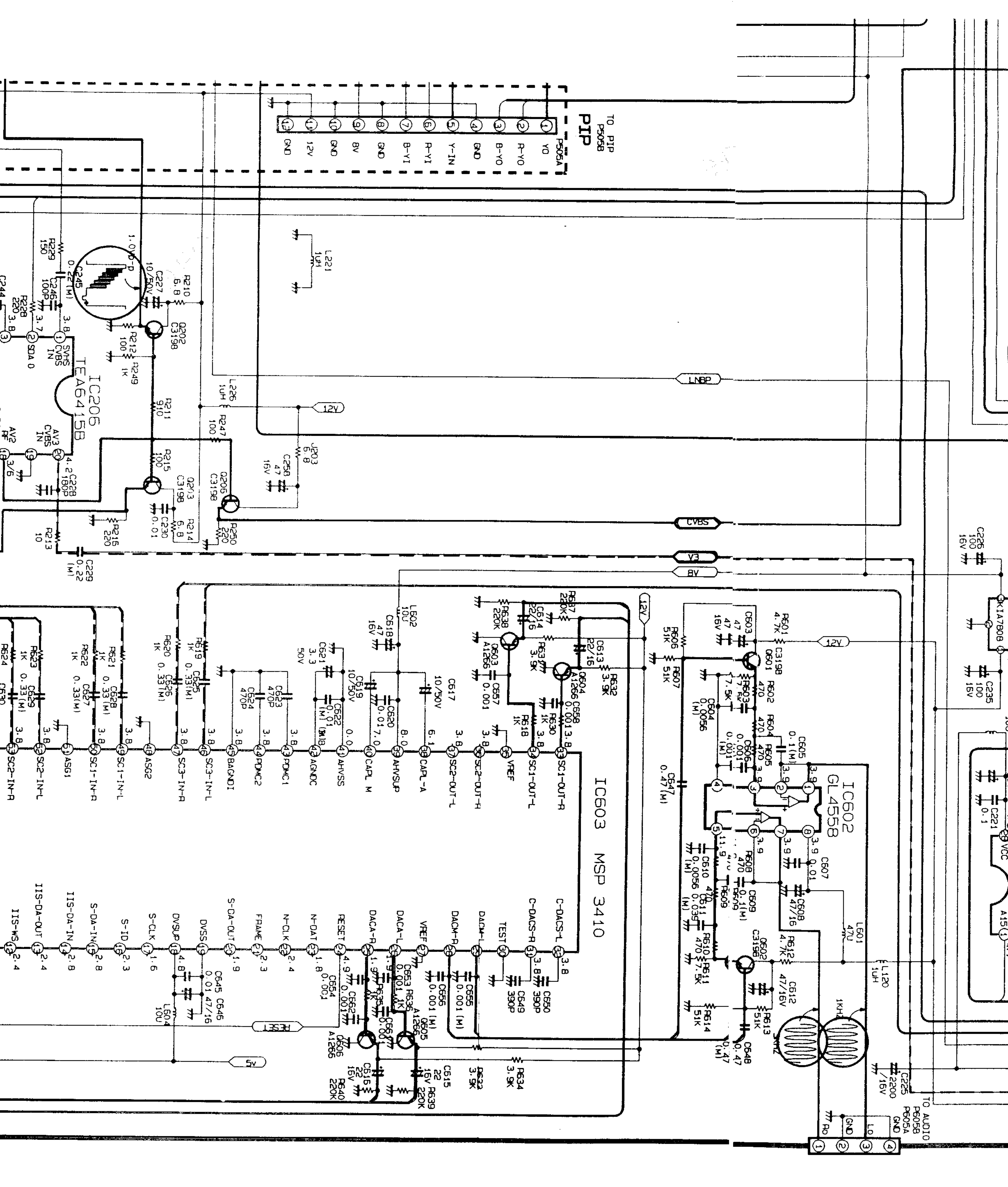
VERTICAL

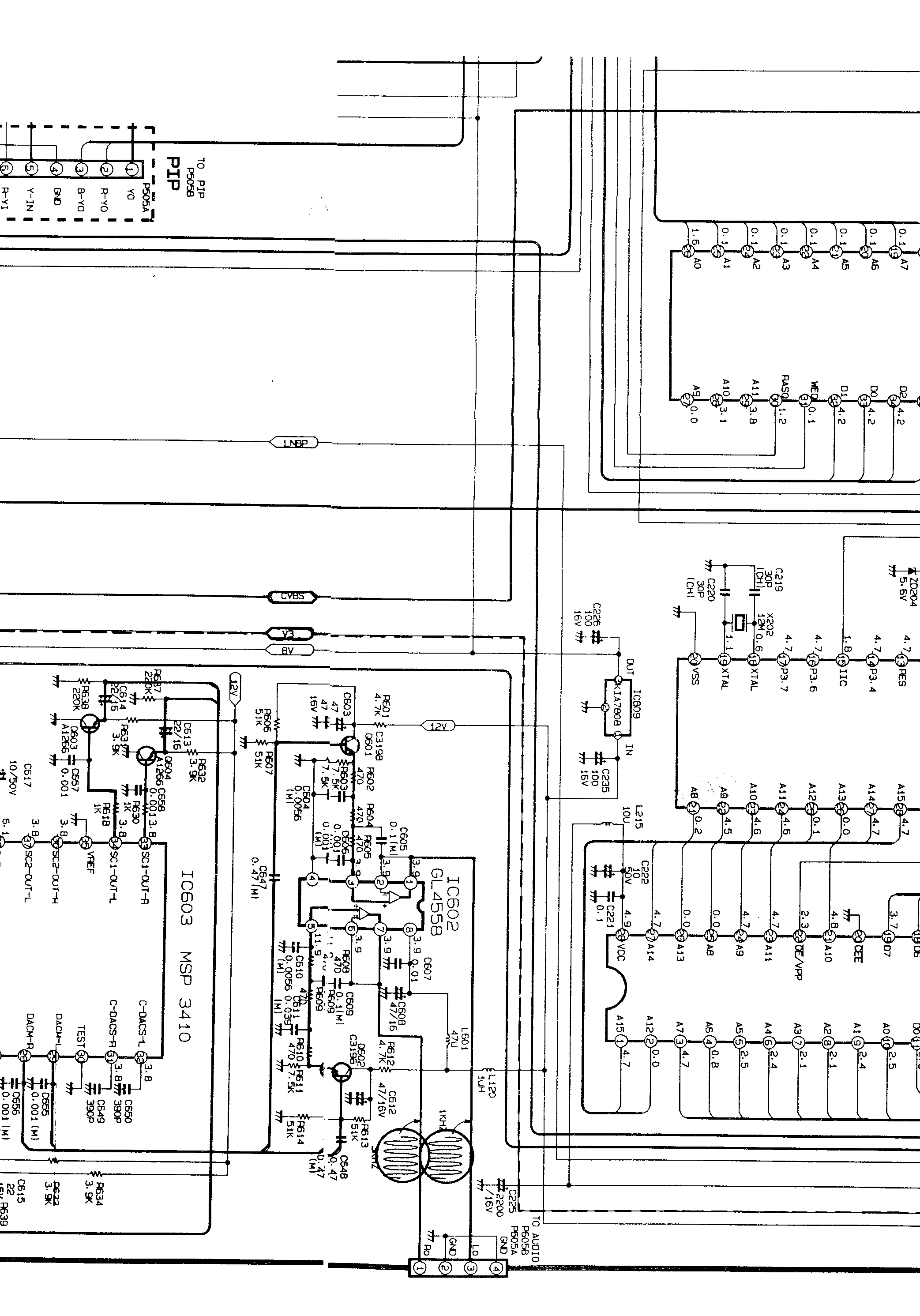






P/N : 484-911B-S1(960705)





TO PIP  
P5058

PIP

P505A  
① Y0  
② R-Y0  
③ B-Y0  
④ GND  
⑤ Y-IN  
⑥ R-Y1

IC603 MSP 3410

IC602  
GL4558

TO AUDIO  
P605B  
P605A  
GND

① L0  
② GND  
③ R0  
④

