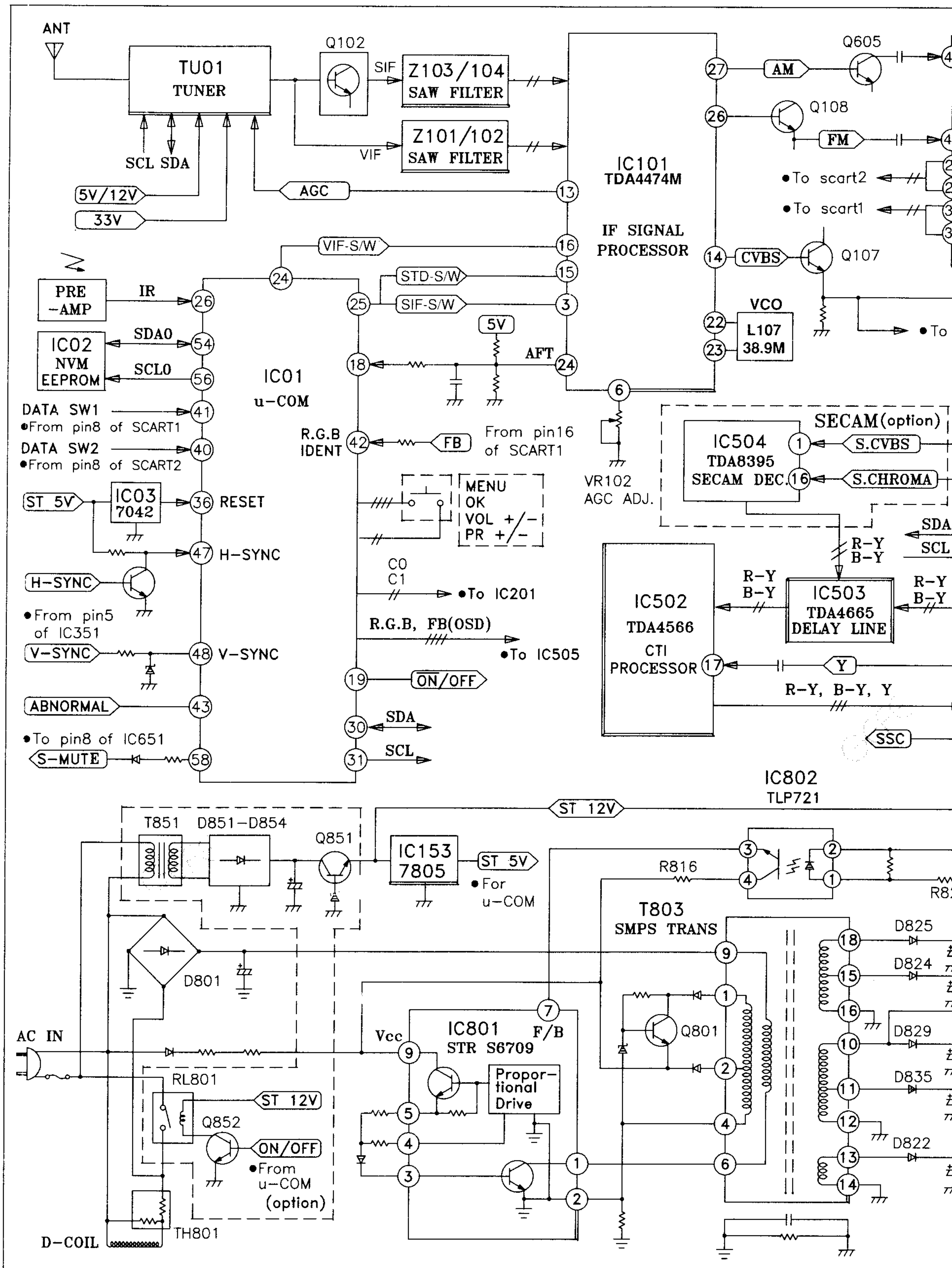
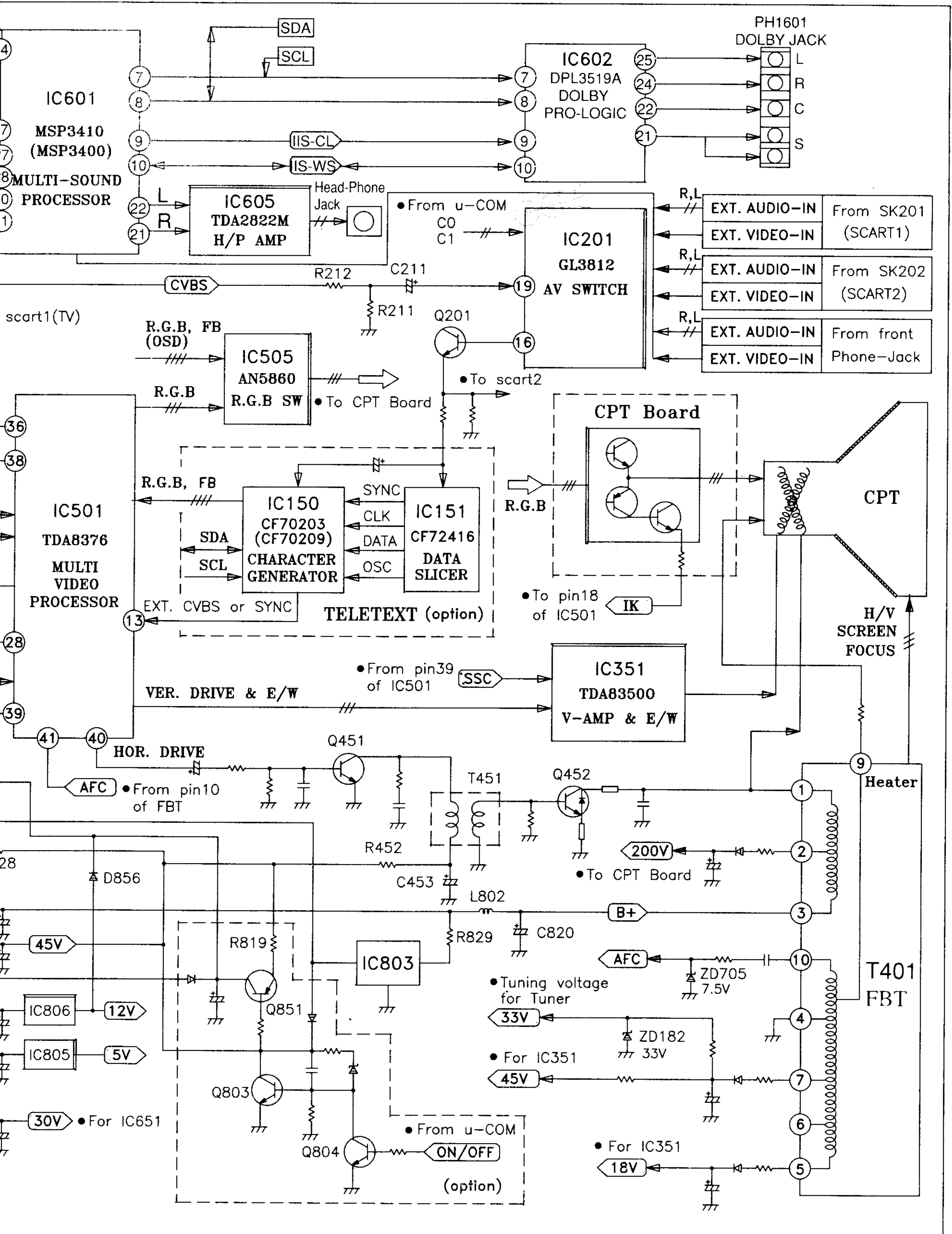


BLOCK

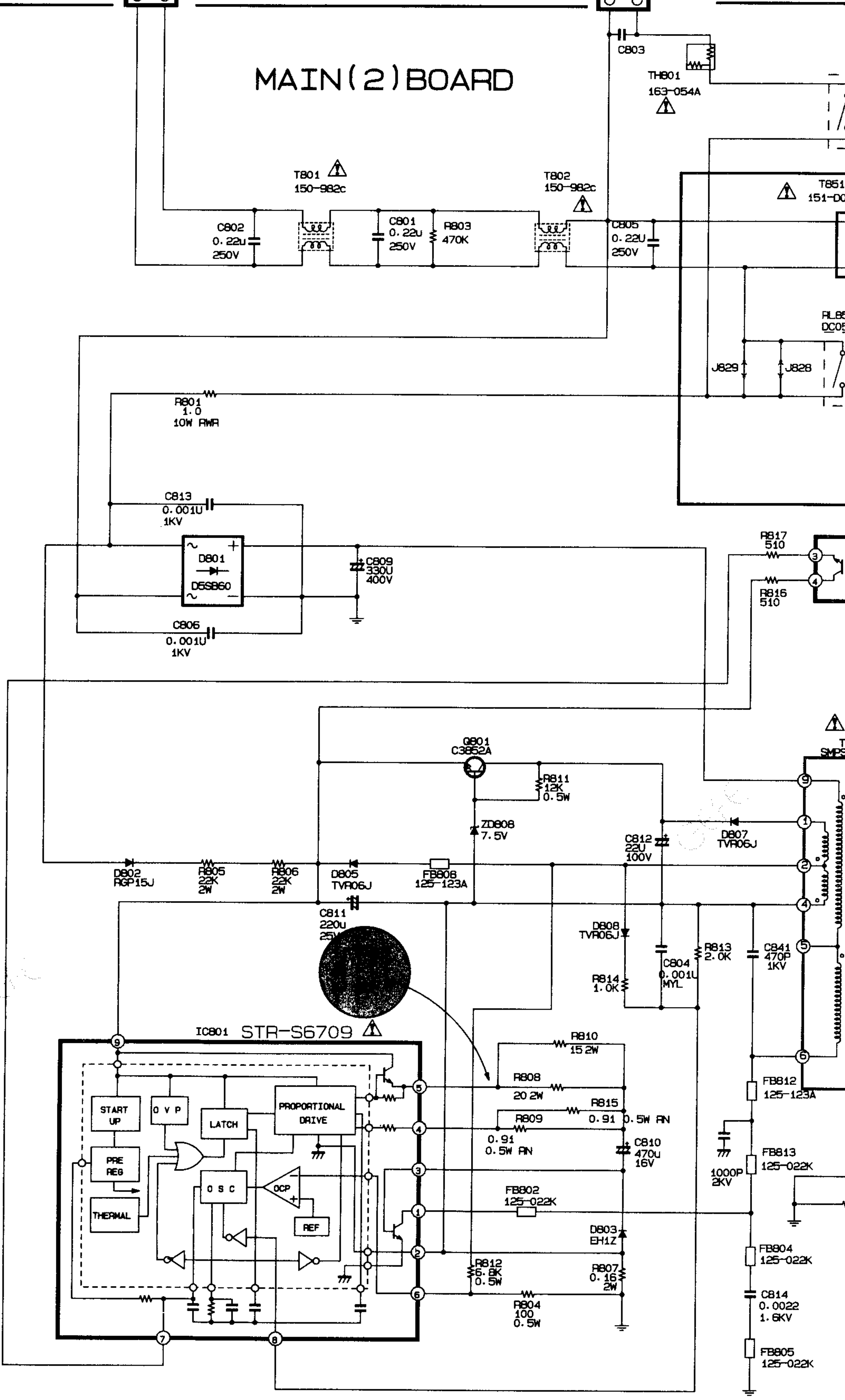
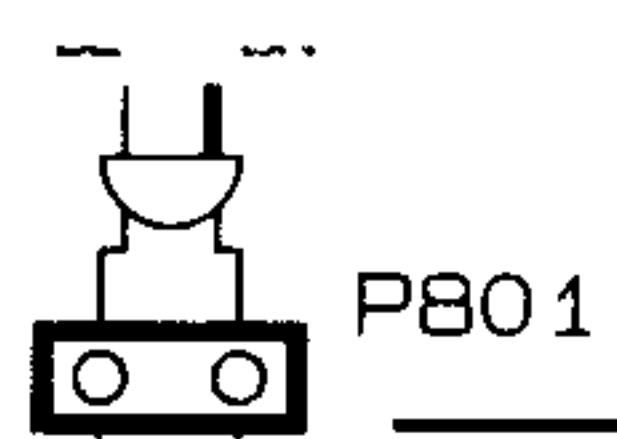


DIAGRAM

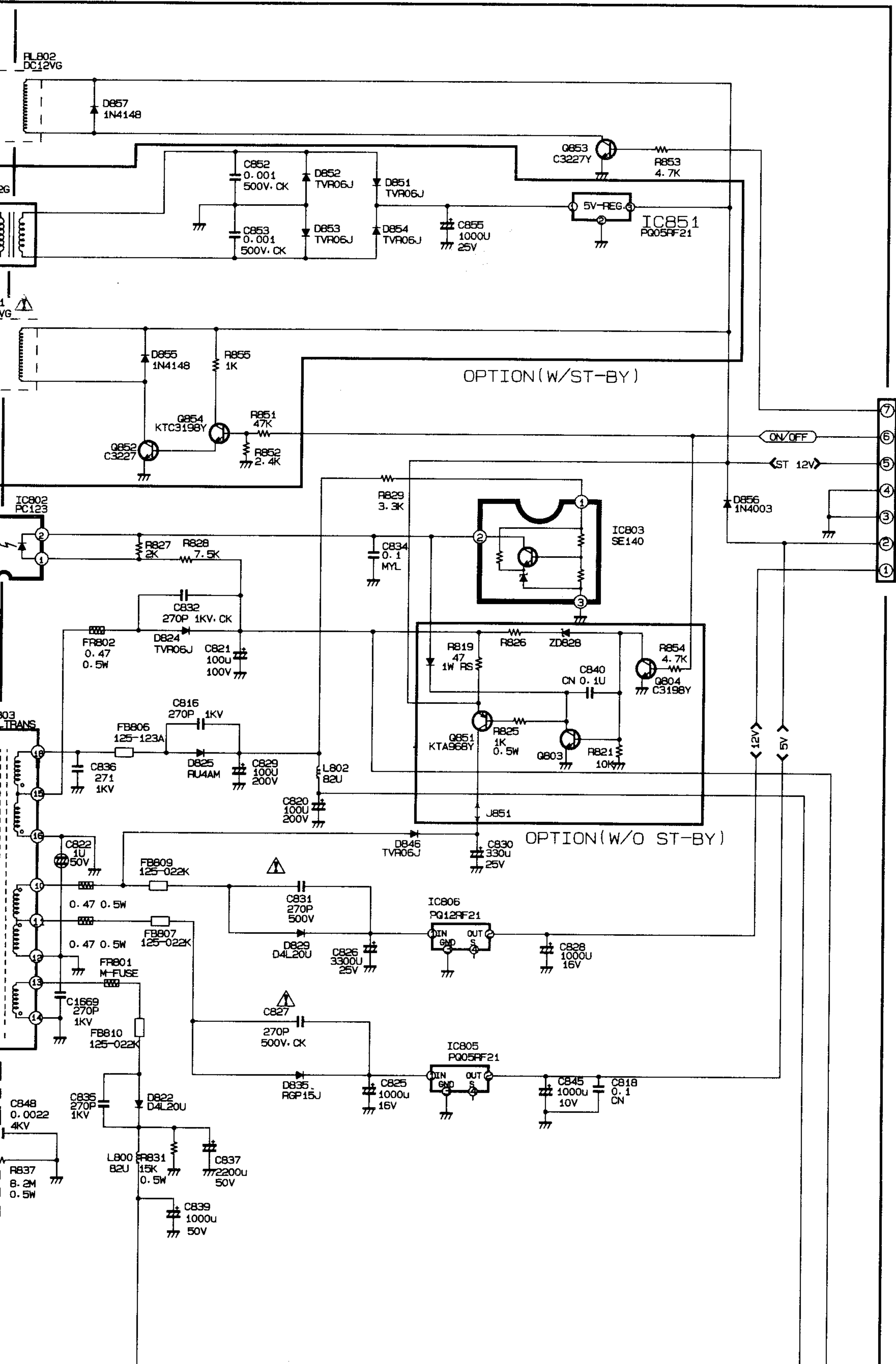


PRIMARY

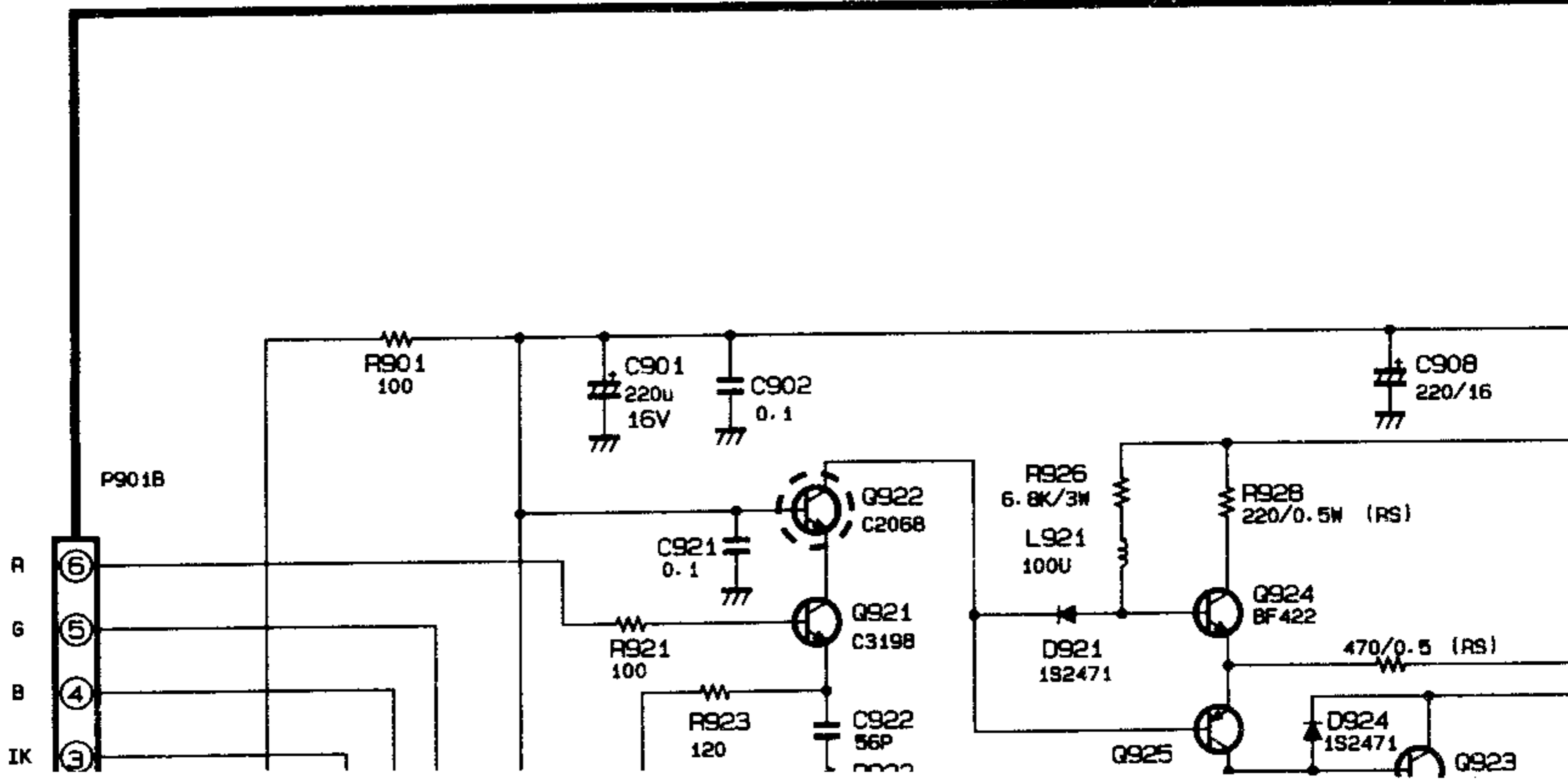
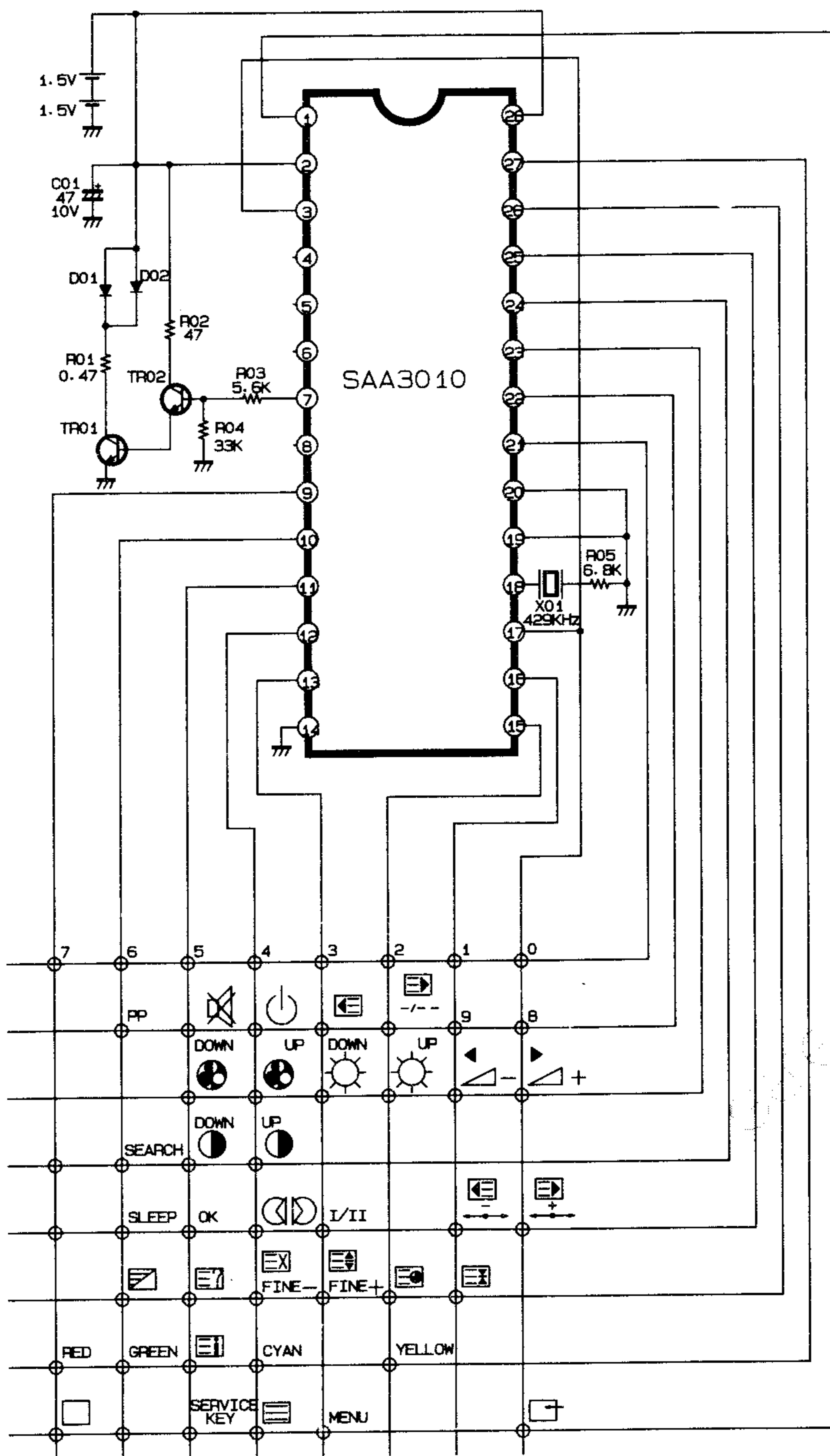
MAIN(2) BOARD

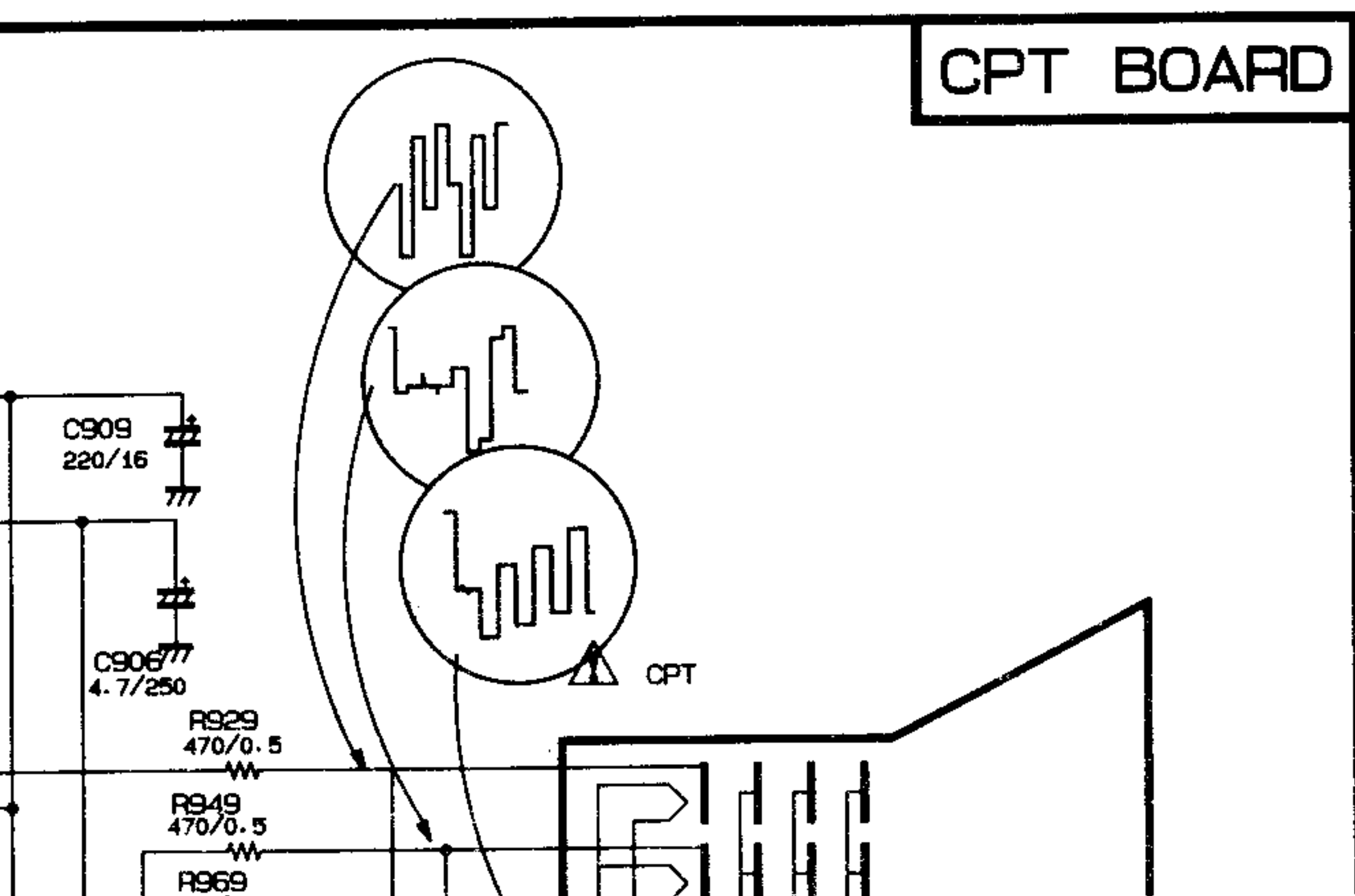
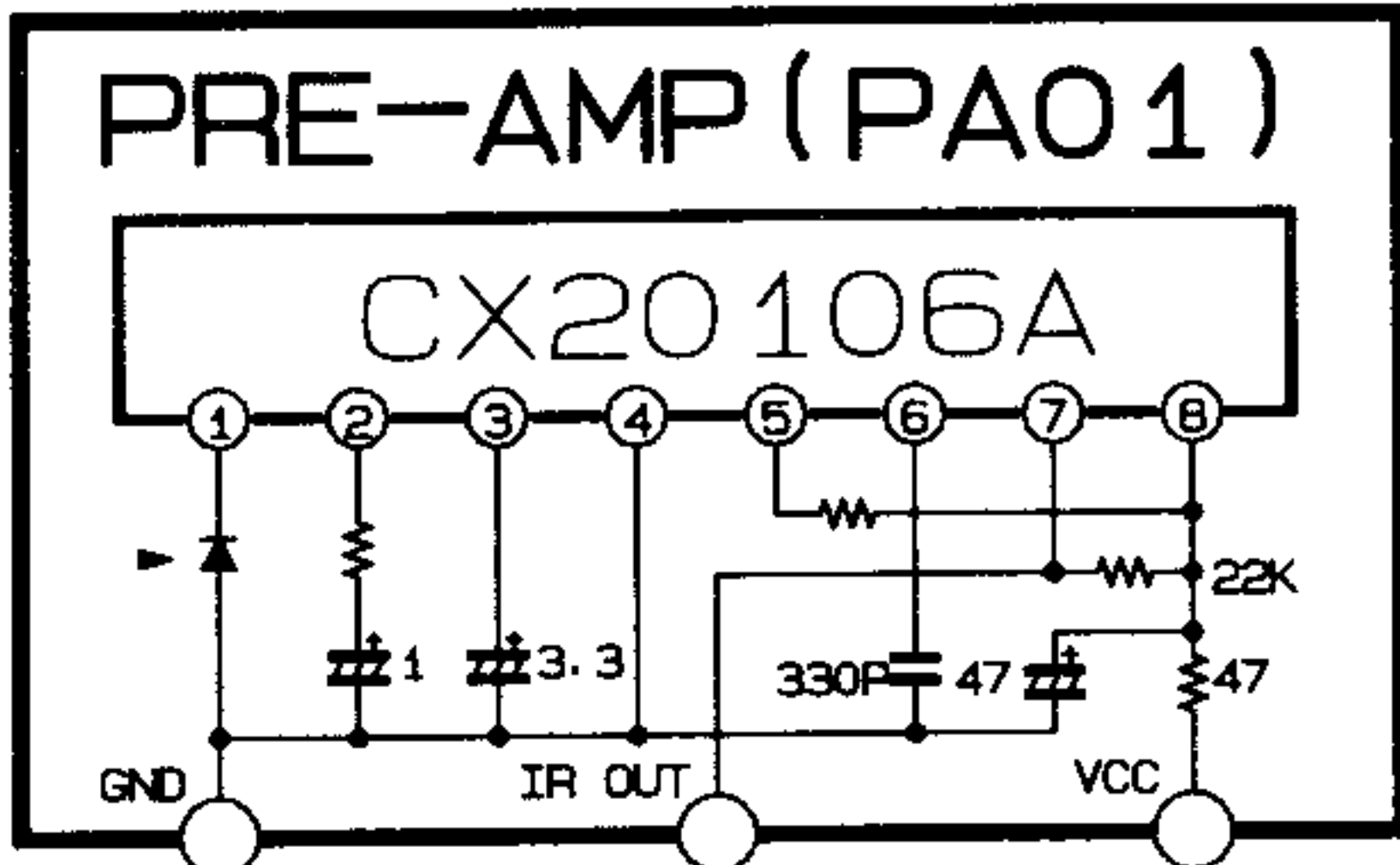


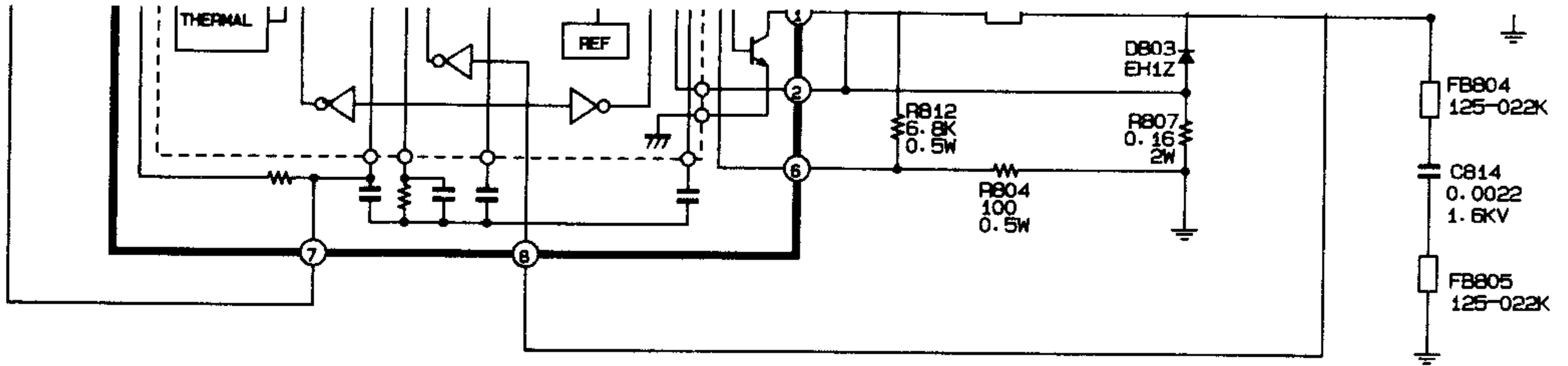
SECONDARY



REMOTE CONTROL BOARD

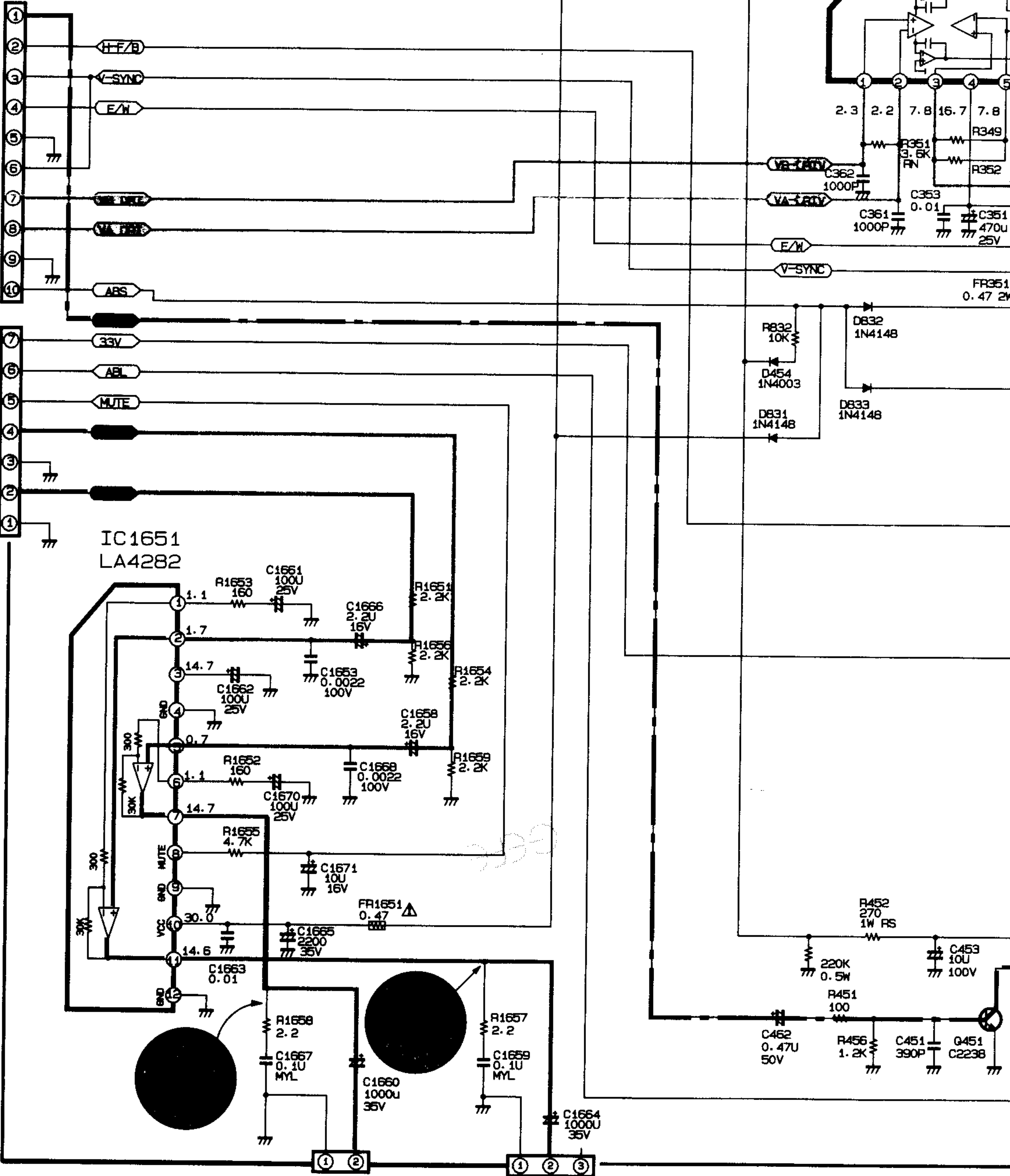






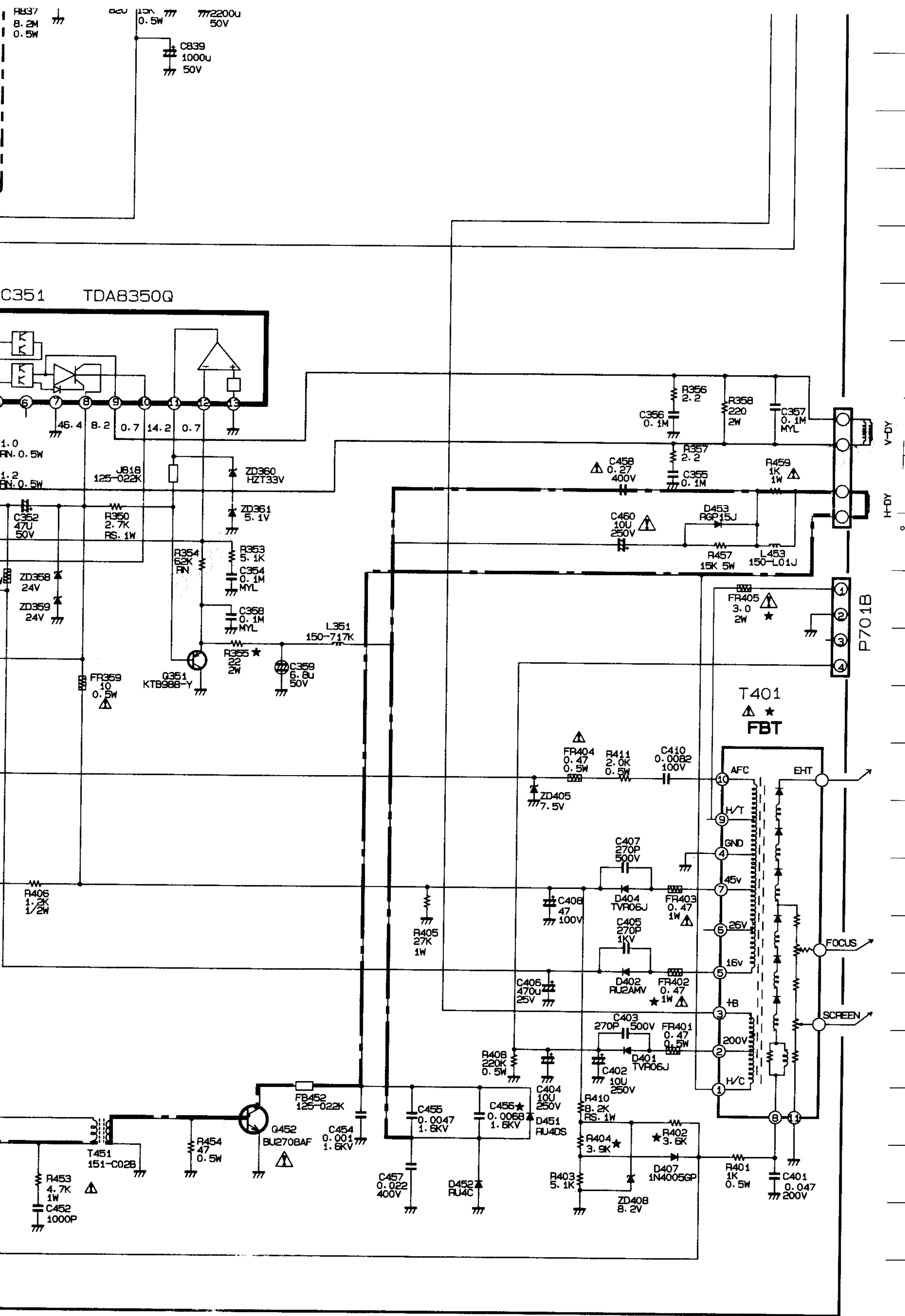
P804A

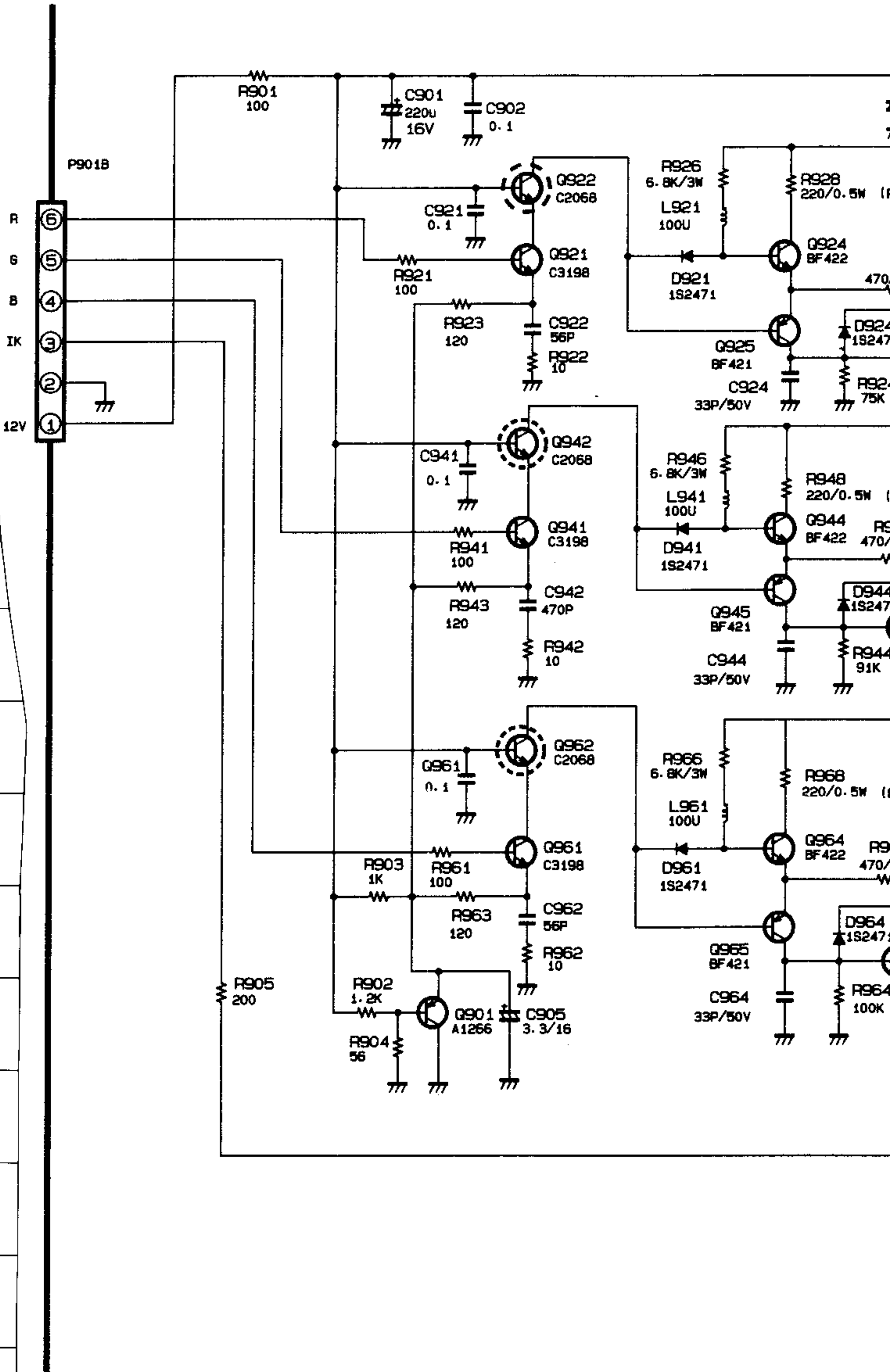
P805A



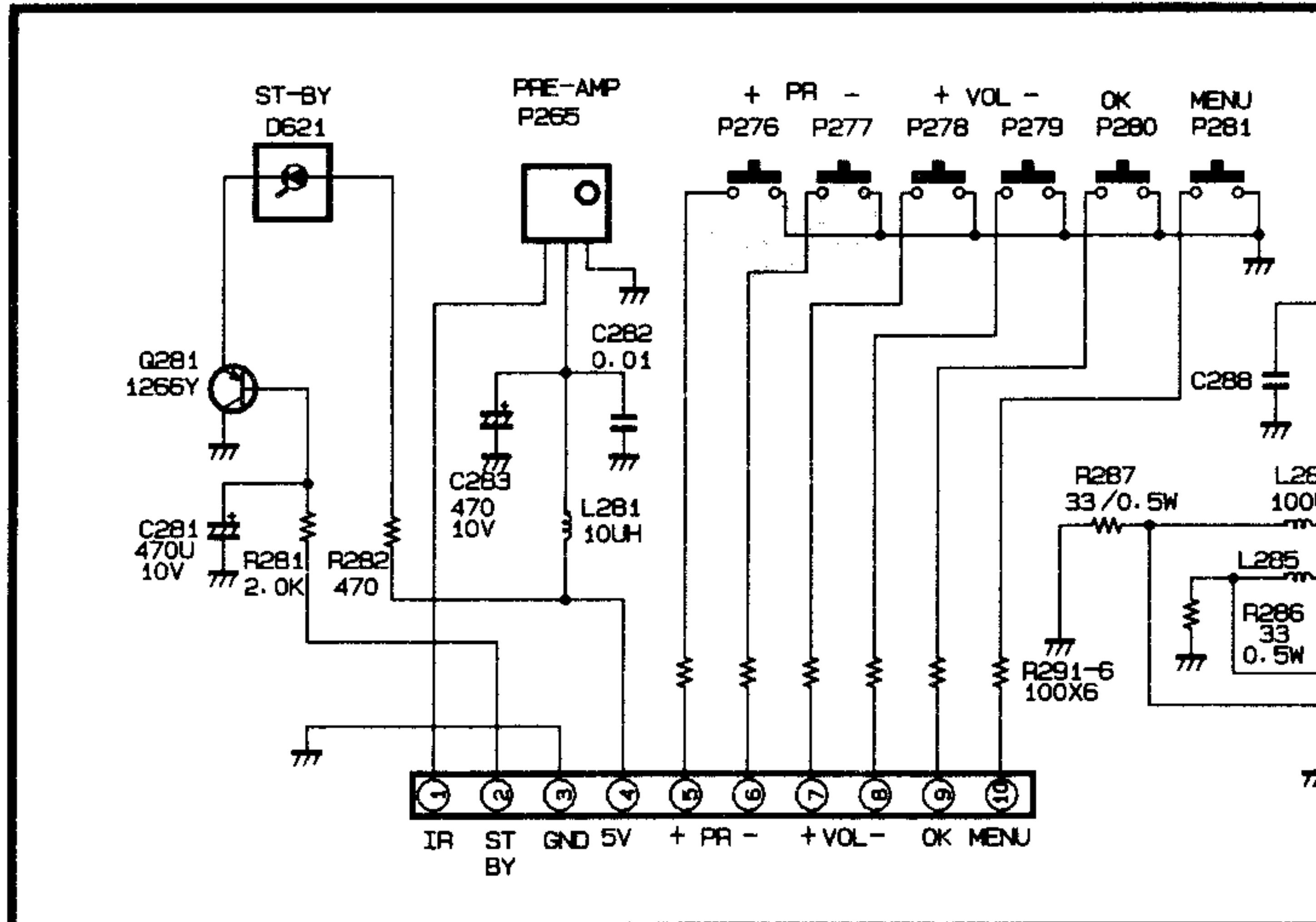
< L-OUT > P1651

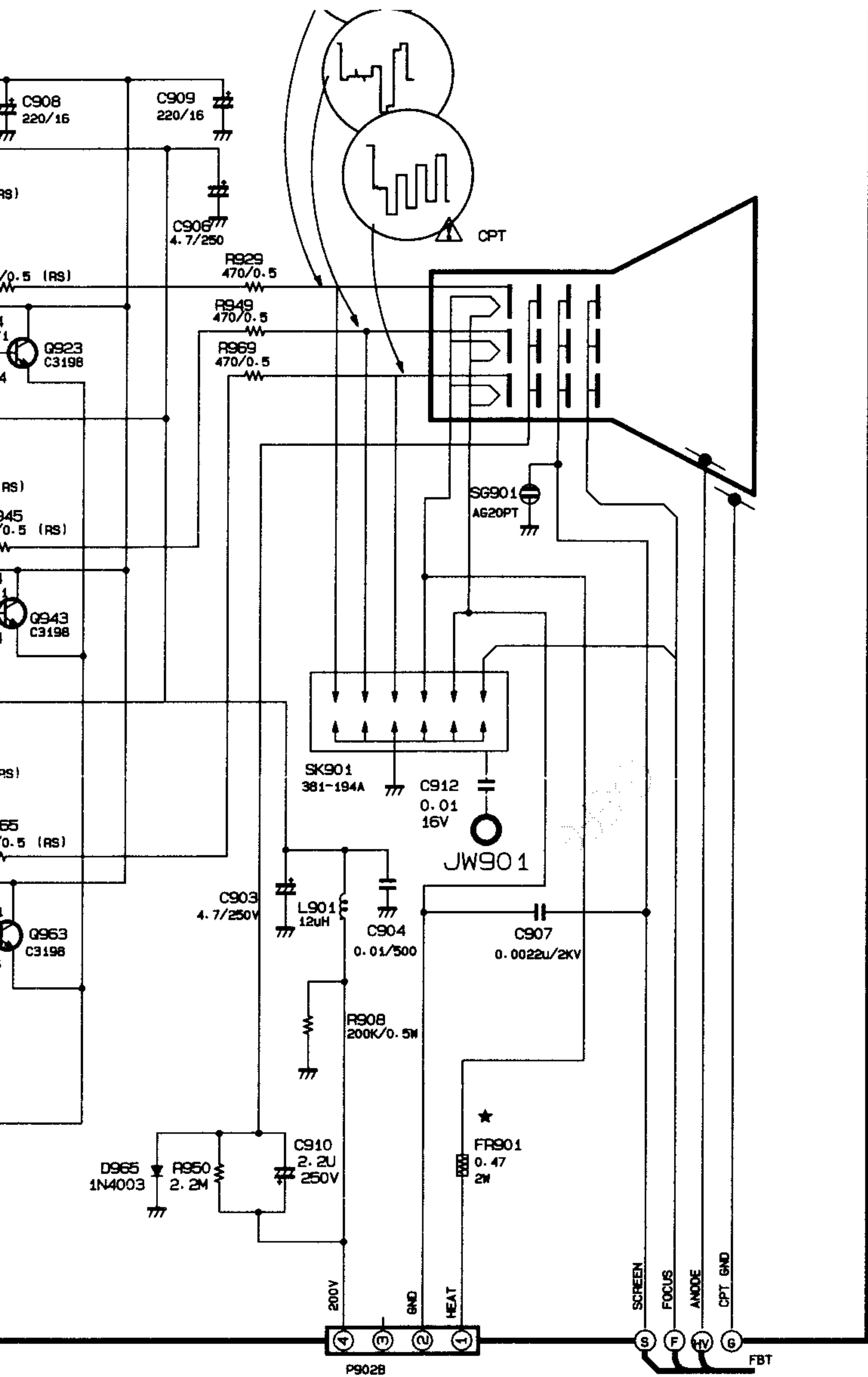
P1652 < R-OUT >



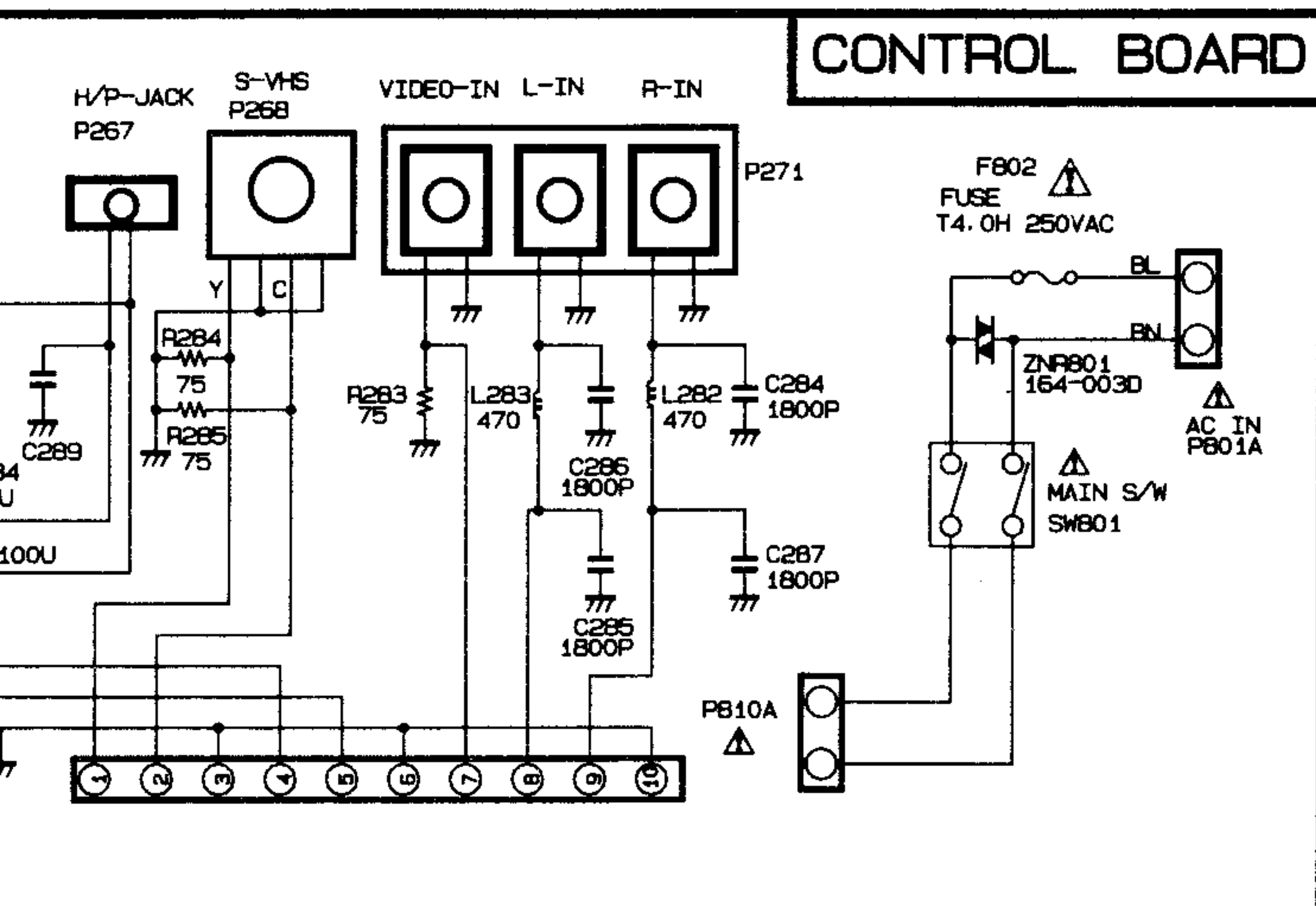


< FOR A60

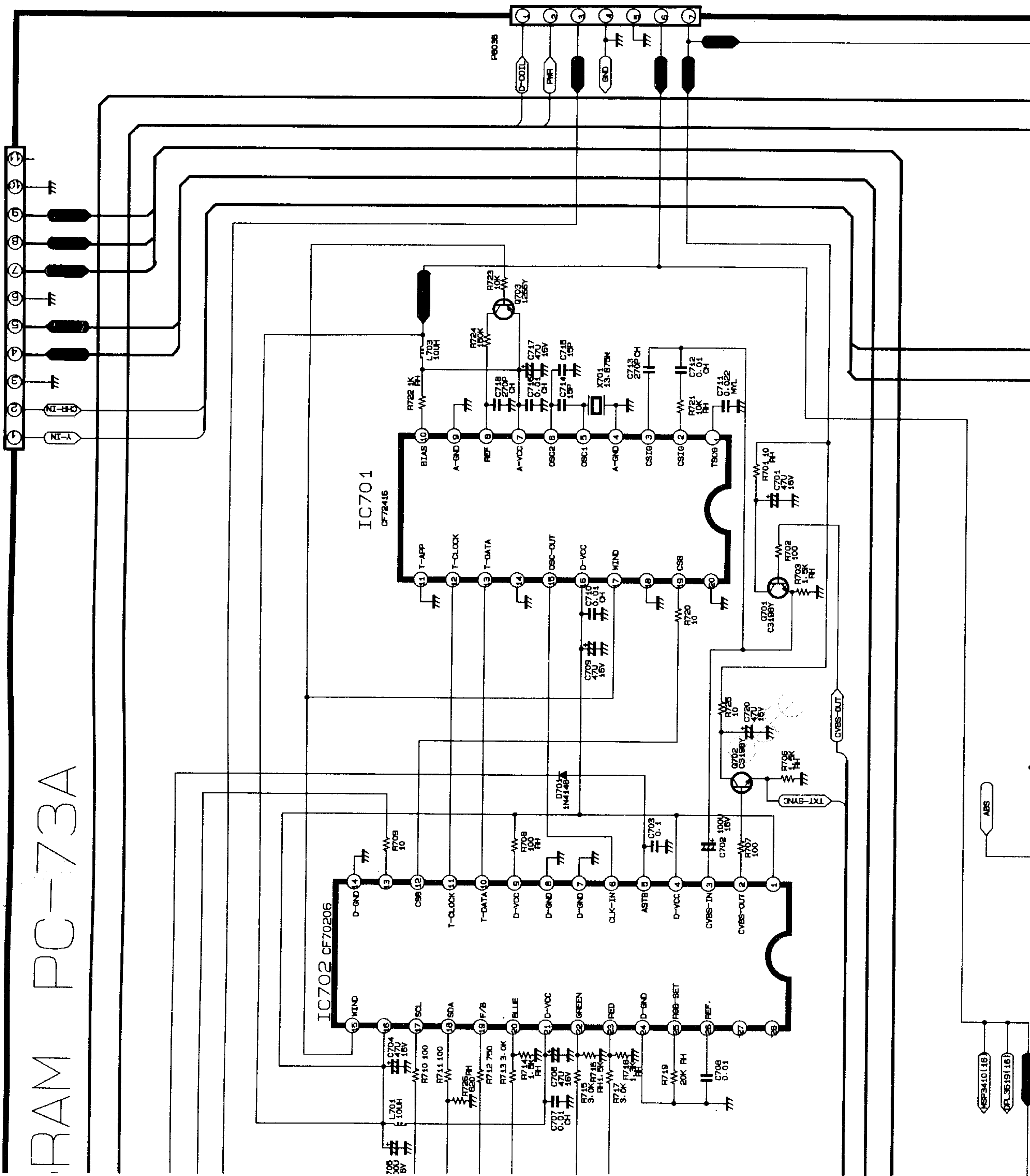


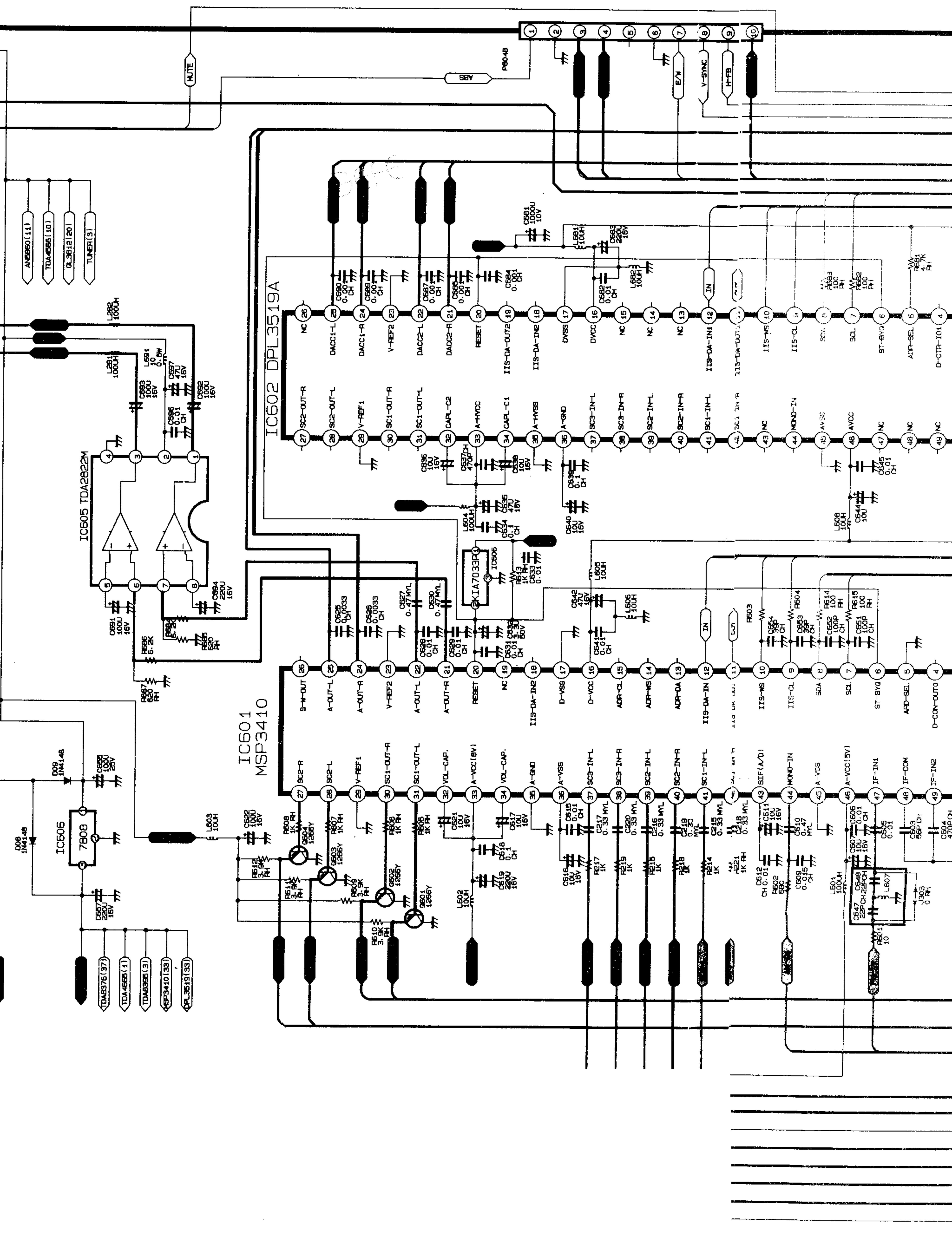


SERIES >

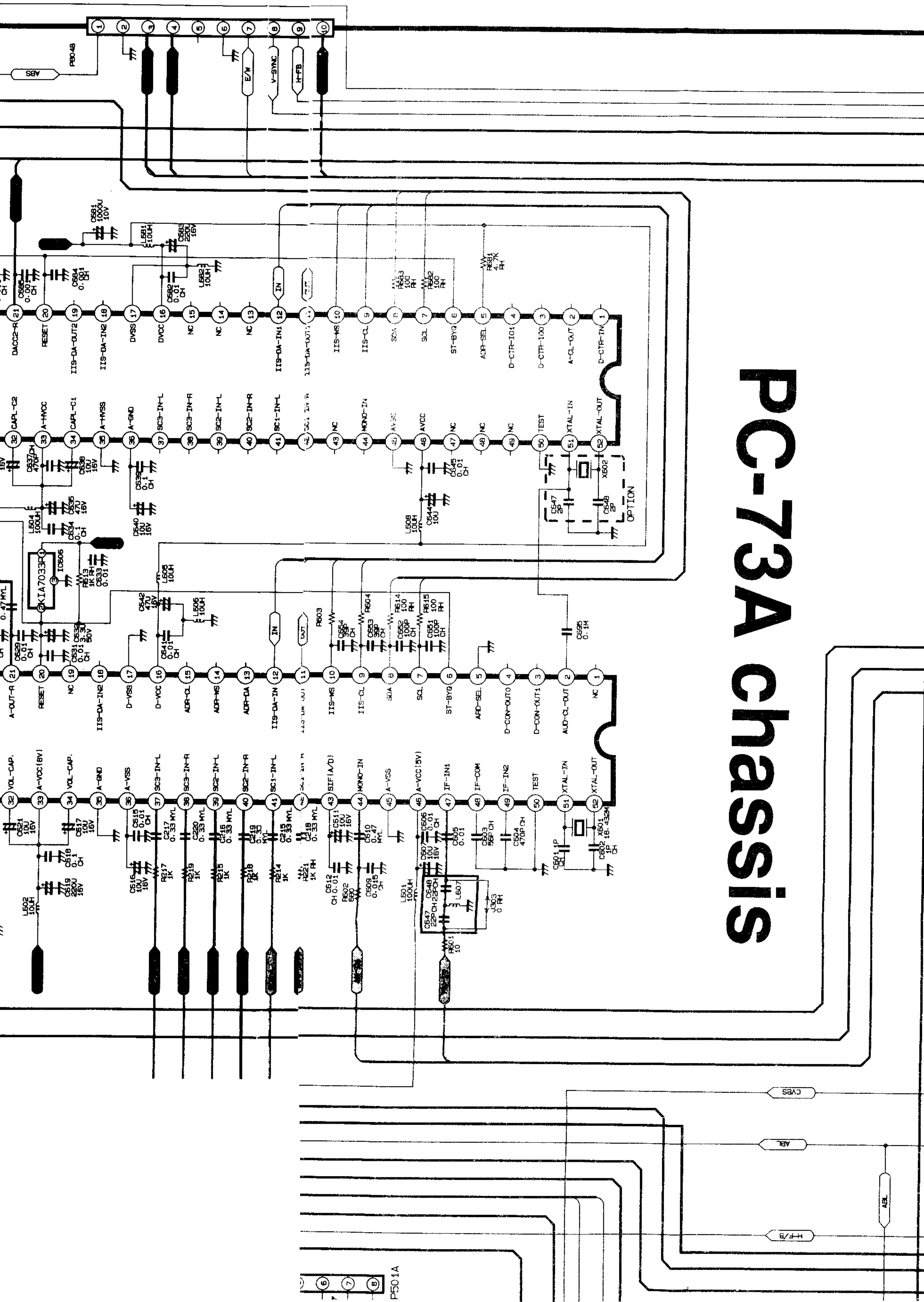


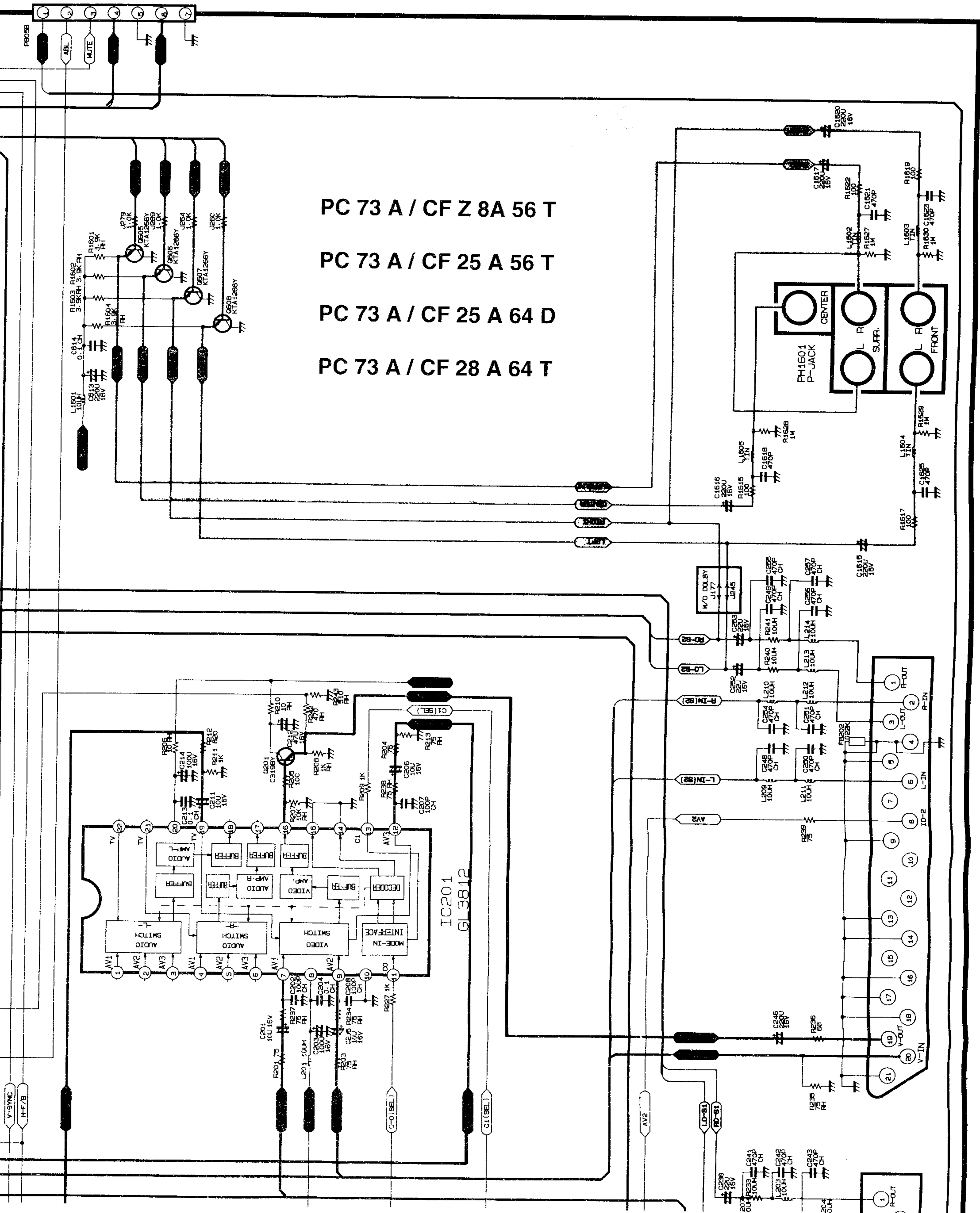
RAM PC-73A





PC-73A chassis





PC 73 A / CF Z 8A 56 T

PC 73 A / CF 25 A 56 T

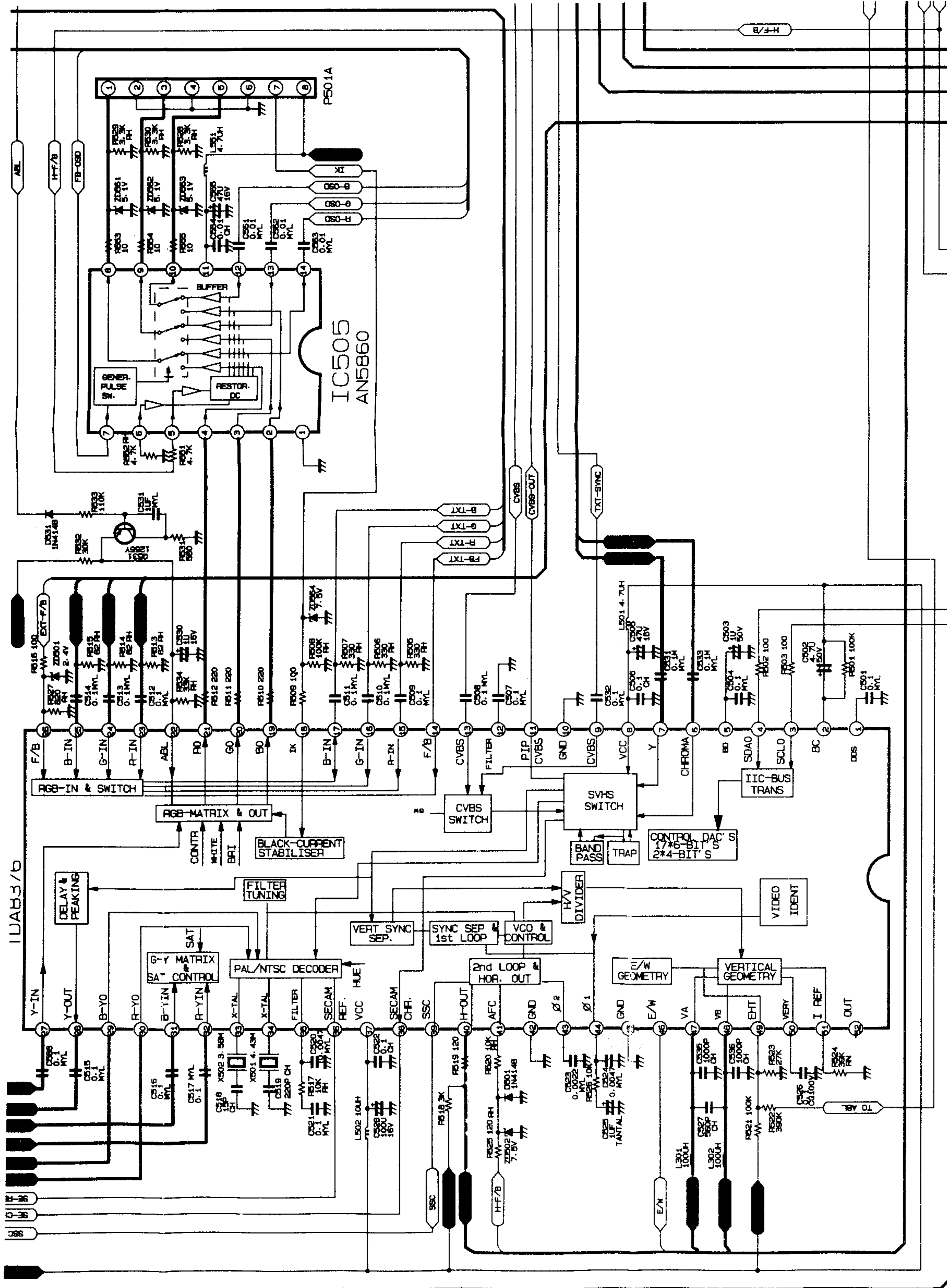
PC 73 A / CF 25 A 64 D

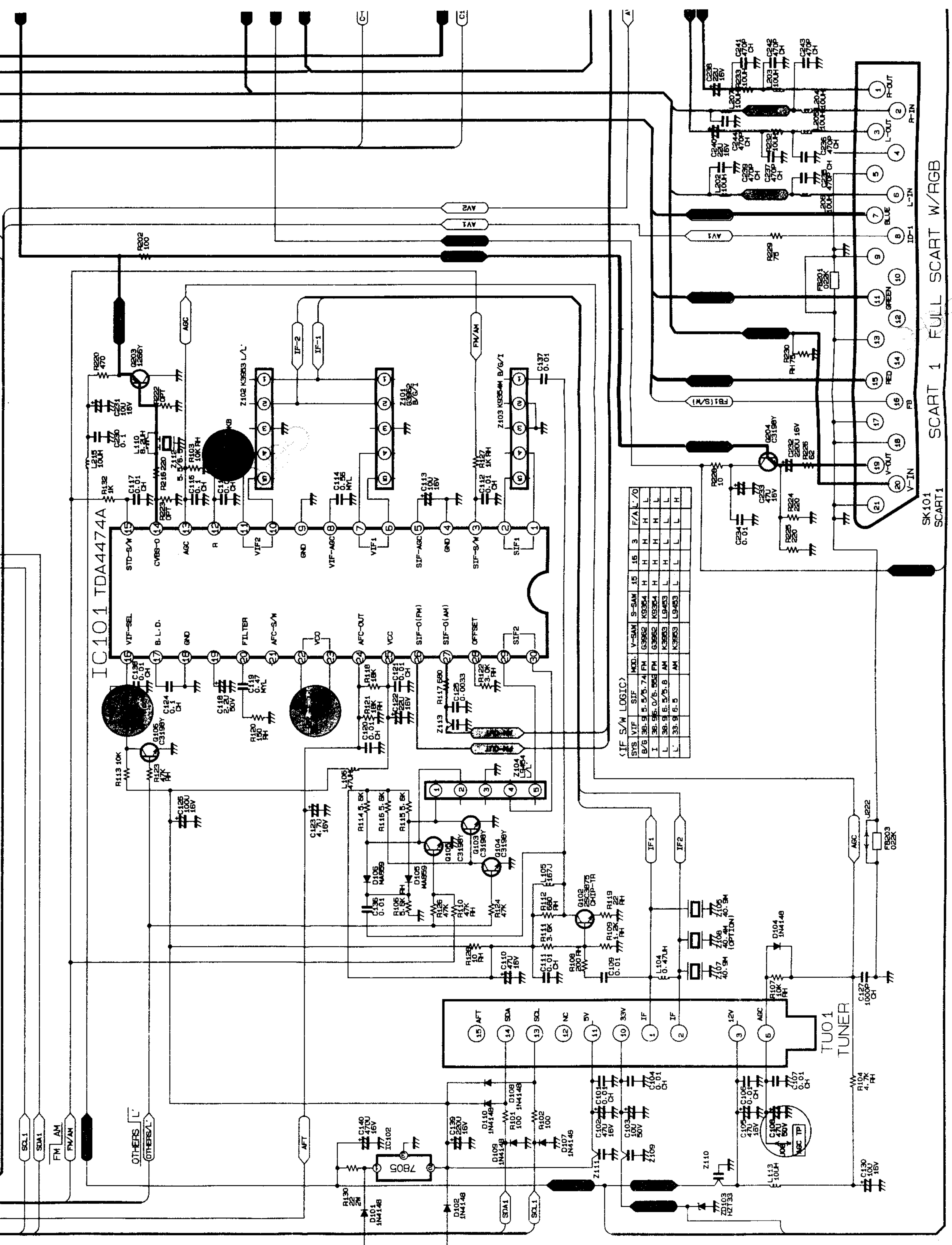
PC 73 A / CF 28 A 64 T

IC201
GL3812

V-SYNC
H-F/B

IC202
IC203
IC204
IC205
IC206
IC207
IC208
IC209
IC210
IC211
IC212
IC213
IC214
IC215
IC216
IC217
IC218
IC219
IC220
IC221
IC222
IC223
IC224
IC225
IC226
IC227
IC228
IC229
IC230
IC231
IC232
IC233
IC234
IC235
IC236
IC237
IC238
IC239
IC240
IC241
IC242
IC243
IC244
IC245
IC246



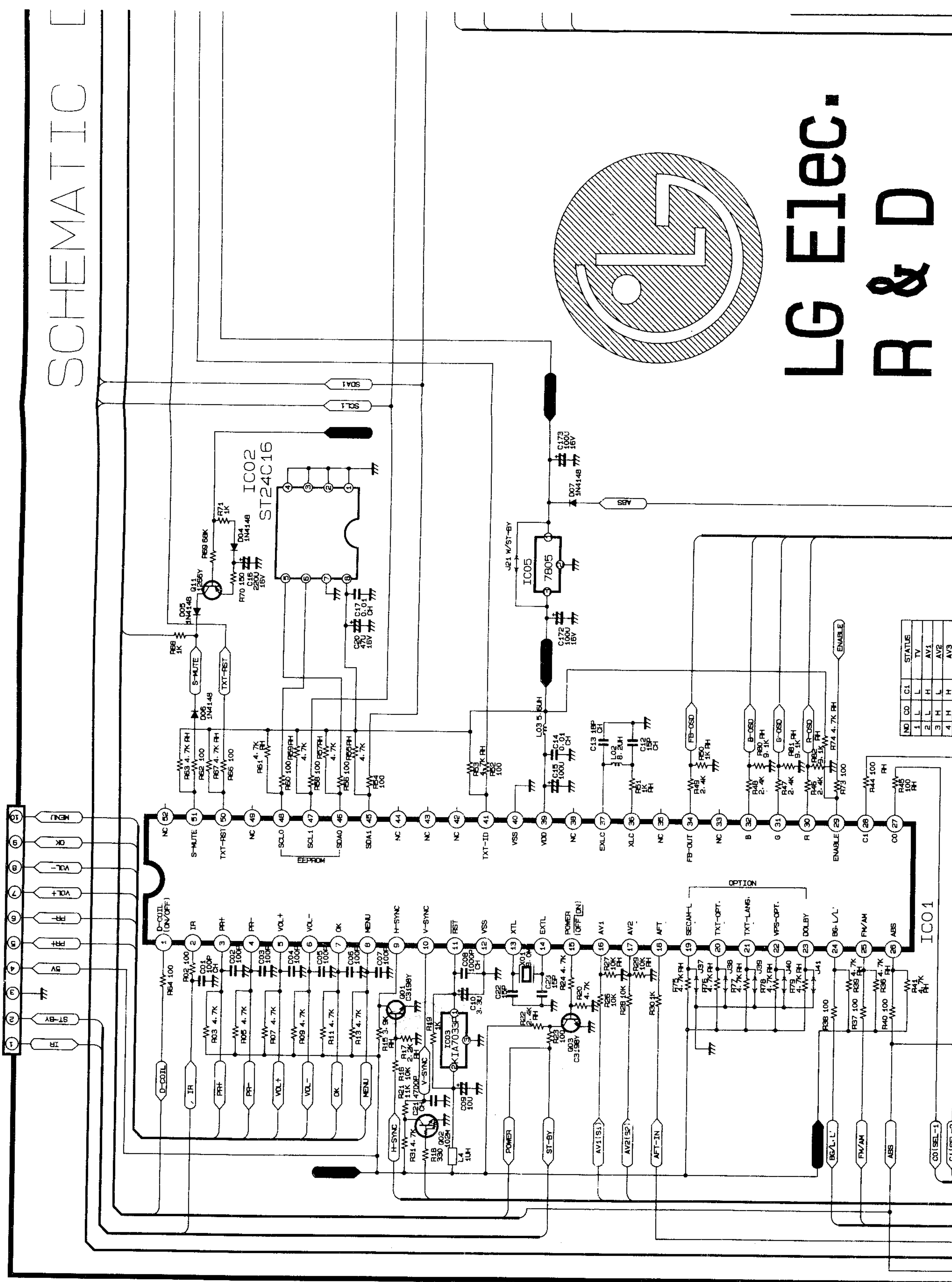


<VIF S/W LOGIC>

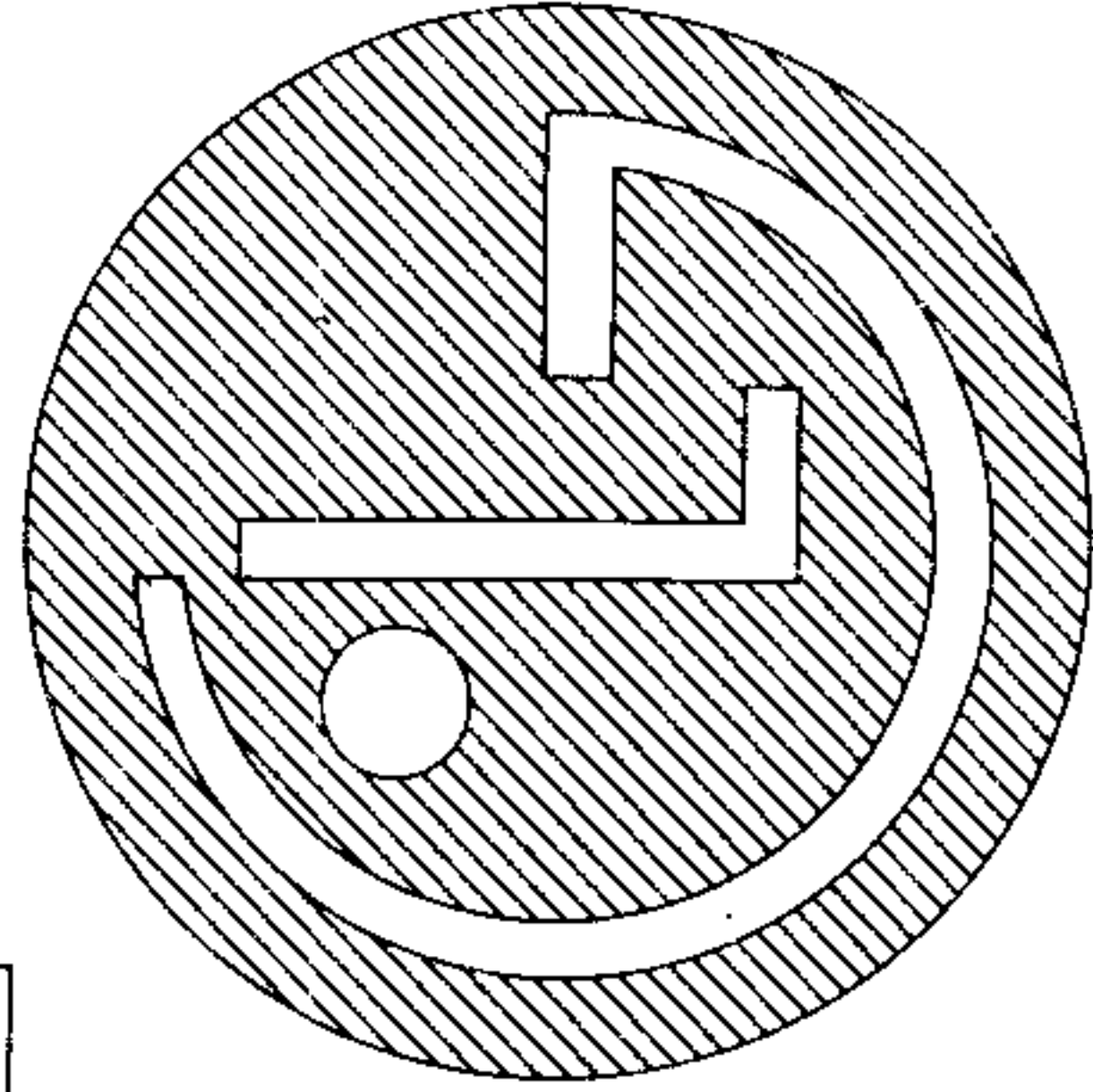
SYS	VIF	SIF	MOD.	V-SAM	S-SAM	15	16	3	F/A/L/O
B/6	38.9	5.5/5.74	FM	G3962	K9304	H	H	H	H
I	38.9	0/6.583	FM	G3962	K9304	H	H	H	H
L	38.9	5.5/5.8	AM	K3903	L9403	L	L	L	L
L'	33.9	5.5	AM	K3903	L9403	L	L	L	L

SCART 1 FULL SCART W/RGB
SK101 SCART1

SCHEMATIC

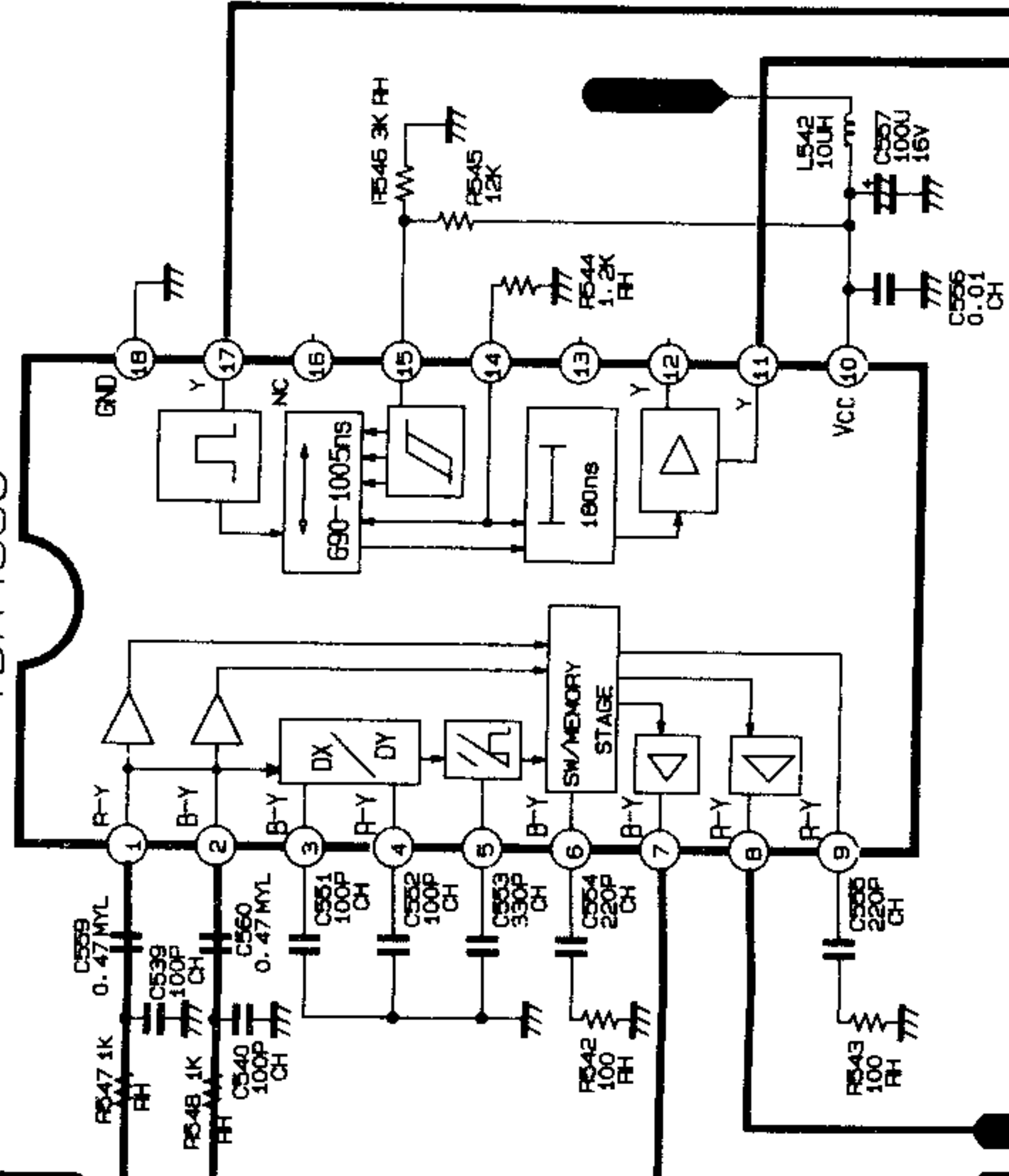


NO	CO	CI	STATUS
1	L	L	TV
2	L	H	AV1
3	H	L	AV2
4	H	H	AV3

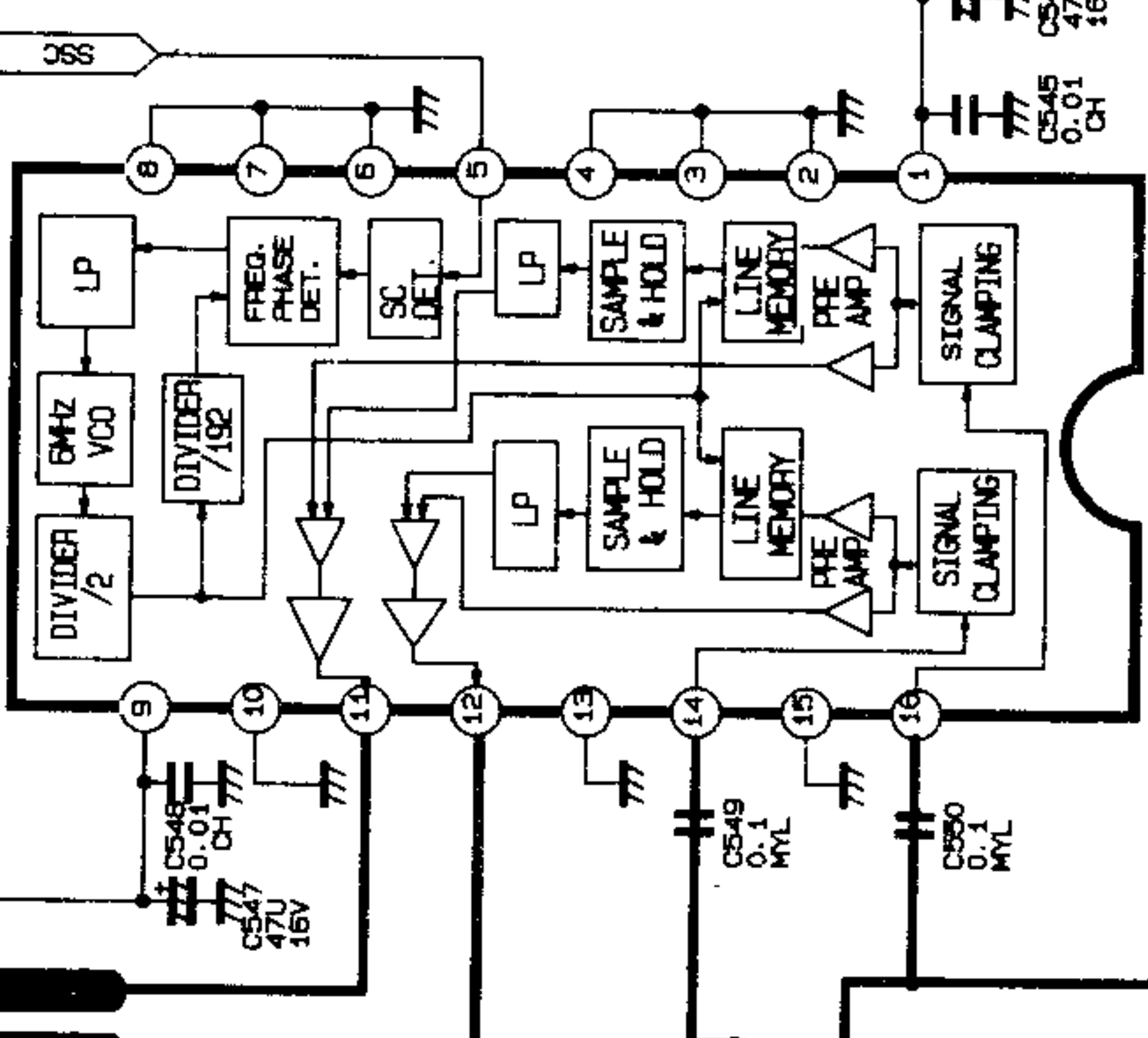


LG ELEC. R & D

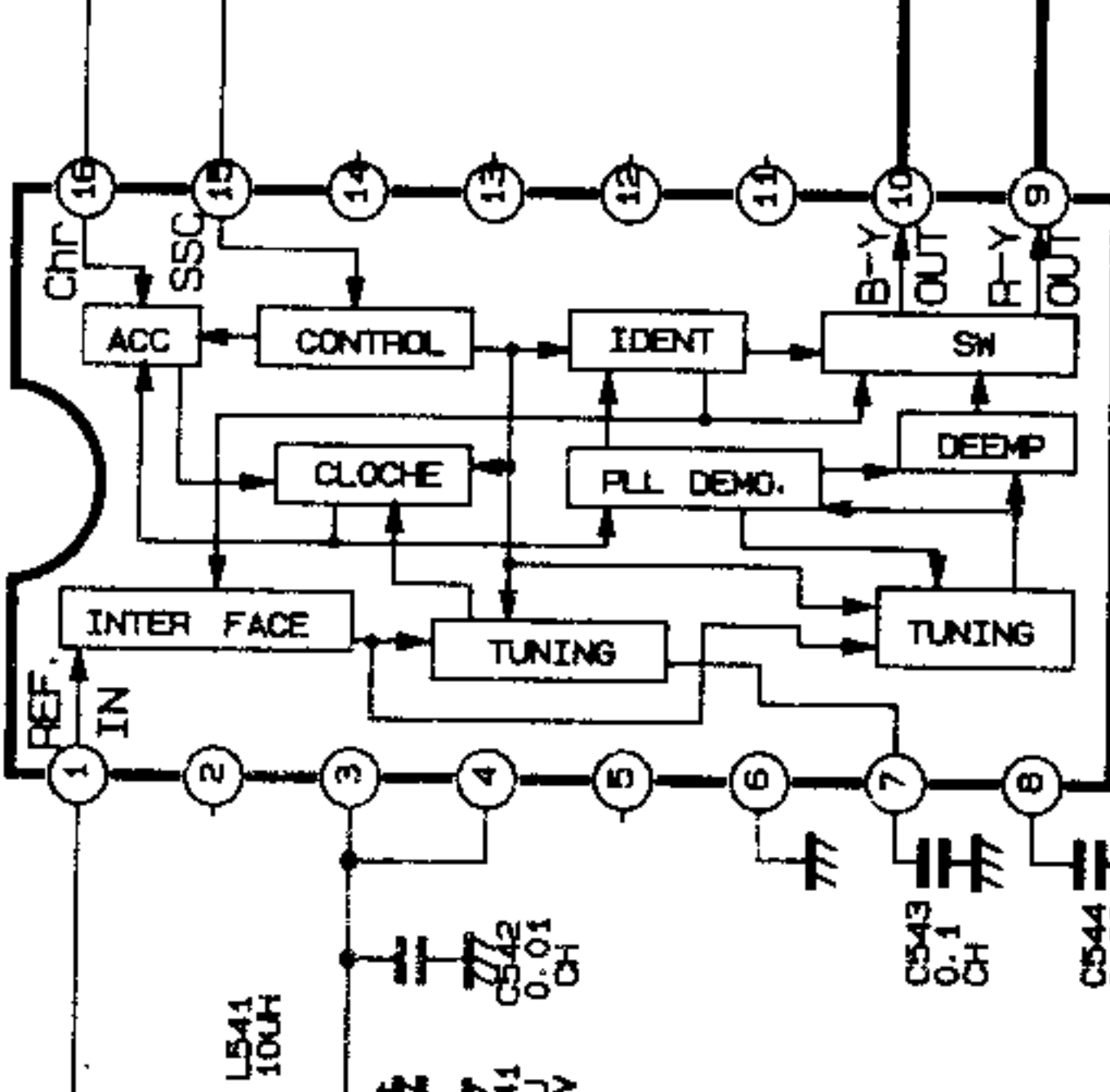
IC502
TDA4566



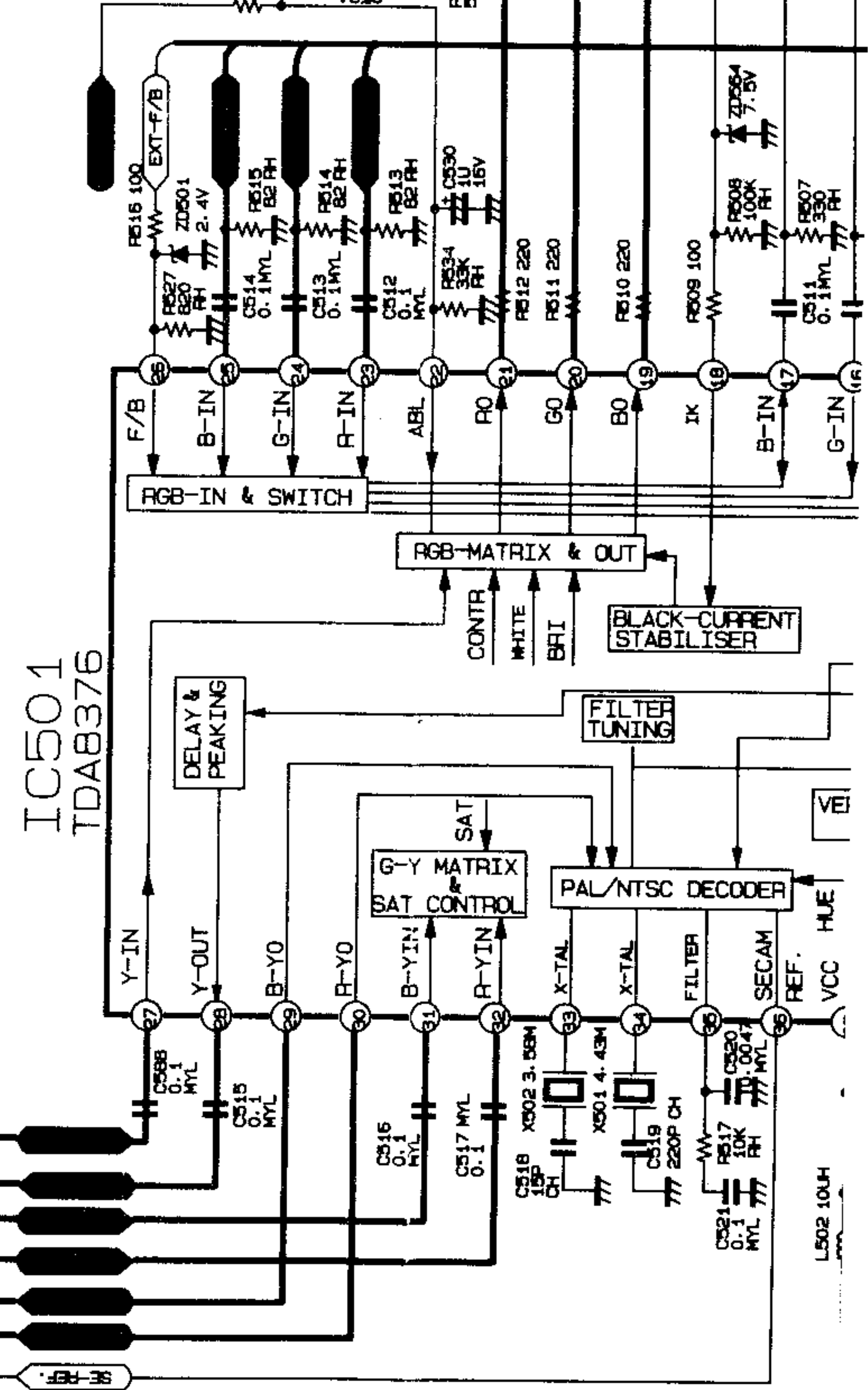
TDA4665
IC503



TDA8395
IC504



IC501
TDA8376



IC505
AN5860

