



**LG**

North/Latin America  
Europe/Africa  
Asia/Oceania

<http://aic.lgservice.com>  
<http://eic.lgservice.com>  
<http://biz.lgservice.com>

# PLASMA TV

## EXPLODED VIEW and SCHEMATICS

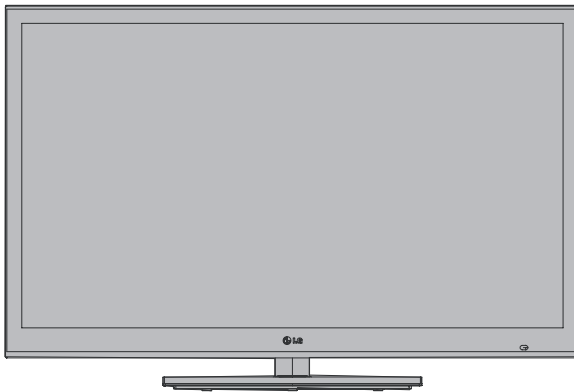
CHASSIS : PU12A

**MODEL : 50PZ950**

**50PZ950-UA**

### CAUTION

BEFORE SERVICING THE CHASSIS,  
READ THE SAFETY PRECAUTIONS IN THIS MANUAL.



P/NO : MFL67006101(1101-REV00)

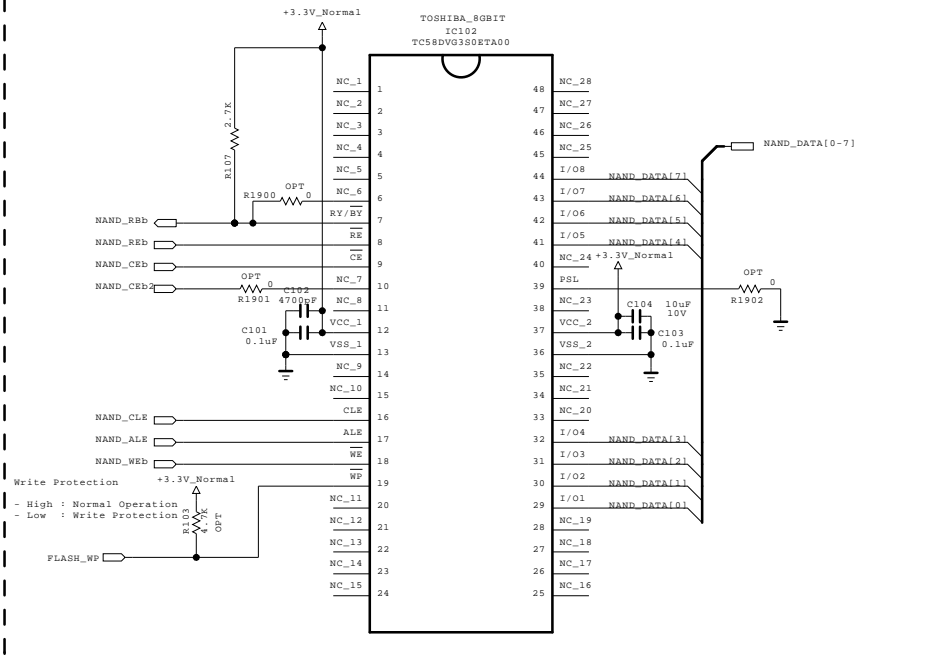
Printed in Korea



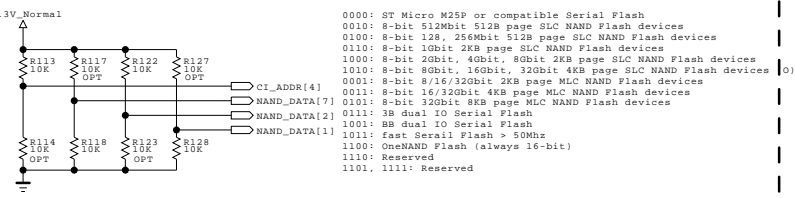
## 50PZ950 EXPLODED VIEW PARTS LIST

ITEM	PART No	DESCRIPTION
120	EAB62028901	10W 80HM 80DB 120HZ 150X35X22 Emsonic Corp.
<b>200</b>	<b>EAJ61527904</b>	<b>PDP50R30000.ASLGB Full HD 50INCH 1920X1080 16/9 LG Electronics Inc.</b>
<b>200</b>	<b>EAJ61527931</b>	<b>PDP50R30000.ASLGM Full HD 50INCH 1920X1080 16/9 LG Electronics Inc.</b>
<b>201</b>	<b>EBR71727801</b>	<b>Control (Logic) board</b>
<b>202</b>	<b>EBR69839101</b>	<b>Y-Drive (Upper)</b>
<b>203</b>	<b>EBR69839201</b>	<b>Y-Drive (Lower)</b>
<b>204</b>	<b>EBR71728101</b>	<b>X-Board (Left)</b>
<b>205</b>	<b>EBR71728401</b>	<b>X-Board (Center)</b>
<b>206</b>	<b>EBR71728501</b>	<b>X-Board (Right)</b>
<b>207</b>	<b>EBR69839001</b>	<b>Y-SUS Board</b>
<b>208</b>	<b>EBR71727901</b>	<b>Z-SUS Board</b>
<b>209</b>	<b>EBR71728001</b>	<b>Z-SUB Board</b>
240	MJH62356101	50PW2 Assy. Support Module Vertical LGERS Phantom
300	ABJ73228804	Cabinet Front Frame
301	AJJ73198902	50PZ7/9 Assy. Support Filter Top
302	AJJ73199102	50PZ7/9 Assy. Support Filter Left Side
303	AJJ73199002	50PZ7/9 Assy. Support Filter Right Side
304	AJJ73199202	50PZ7/9 Assy. Support Filter Bottom
305	MDJ62784309	Cutting Glass Filter 50PZ90 LG CH L
400	ACQ83112108	50PZ950-UA Back Cover Assy.
501	MJH62195202	1.2 Guide EGI 50PW2 Stand Support
<b>520</b>	<b>EBR73295301</b>	<b>Main PU12A 50PZ950-UA KUSLLJR Main Chassis Total</b>
<b>540</b>	<b>EBR72499601</b>	<b>Motion Remote Board Assy.</b>
<b>560</b>	<b>EBR72769401</b>	<b>Power LED Board</b>
570	EBR72650201	Intelligent and IR Sensor board (LED & P/SW)
<b>580</b>	<b>EAY62171101</b>	<b>Power Supply Board (SMPS)</b>
590	EAM62090703	AC Line Filter
601	ABA73488711	Bracket (Side AV)
602	MGJ62764403	Bracket (Main Right Side)
900	AAN73430802	Stand Base Assembly
910	MJH62197302	Stand Supporter
<b>A2</b>	<b>AKB73295502</b>	<b>Remote Control Transmitter</b>
A9	FAB30016616	Screw Assembly FAB30016616 Type D5.0 L14.0 Plain Washer (D:10, T:1.0)
A10	FAB30016424	Screw Assembly FAB30016423 Machine Type D4.0 L26.0
A12	MCK65832102	Additional Cover
A23	AKB732955	Motion Remote Control
LV1	EAD61668713	LVDS Cable

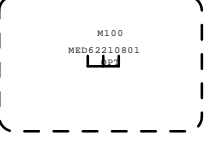
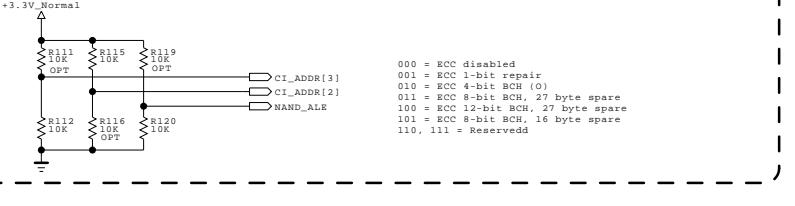
# NAND FLASH MEMORY 8Gbit



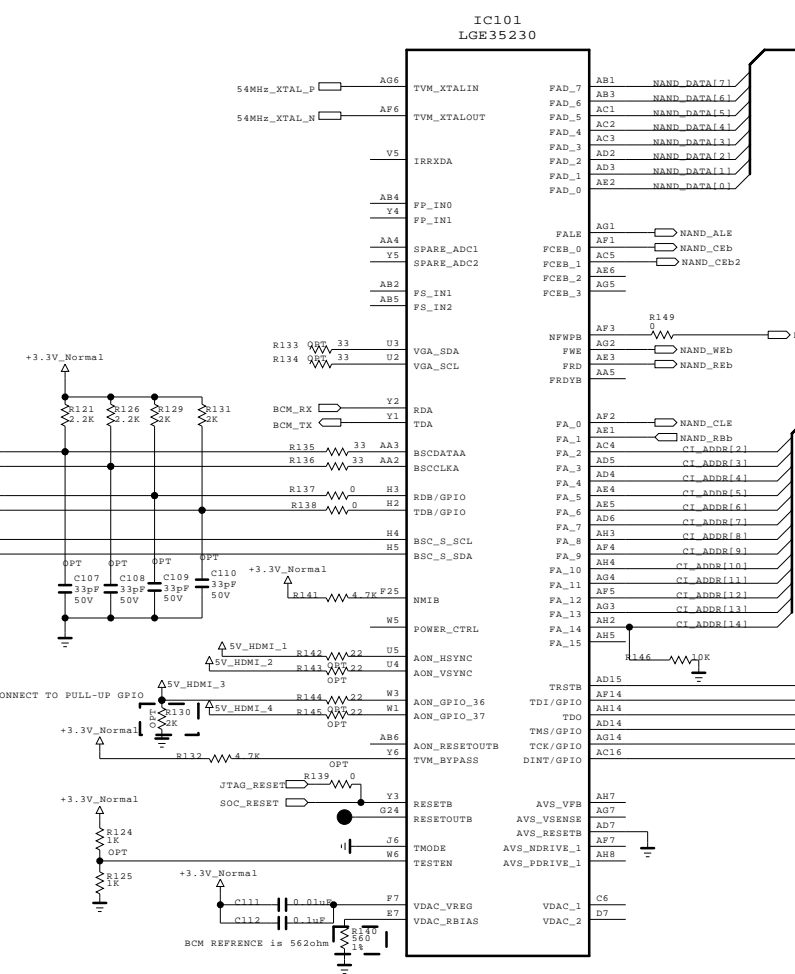
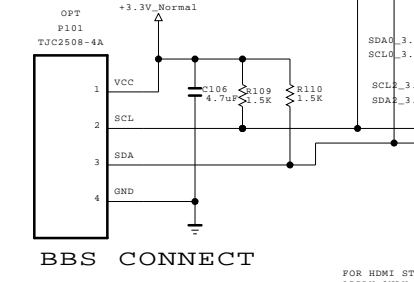
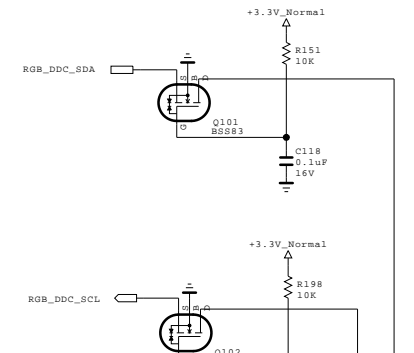
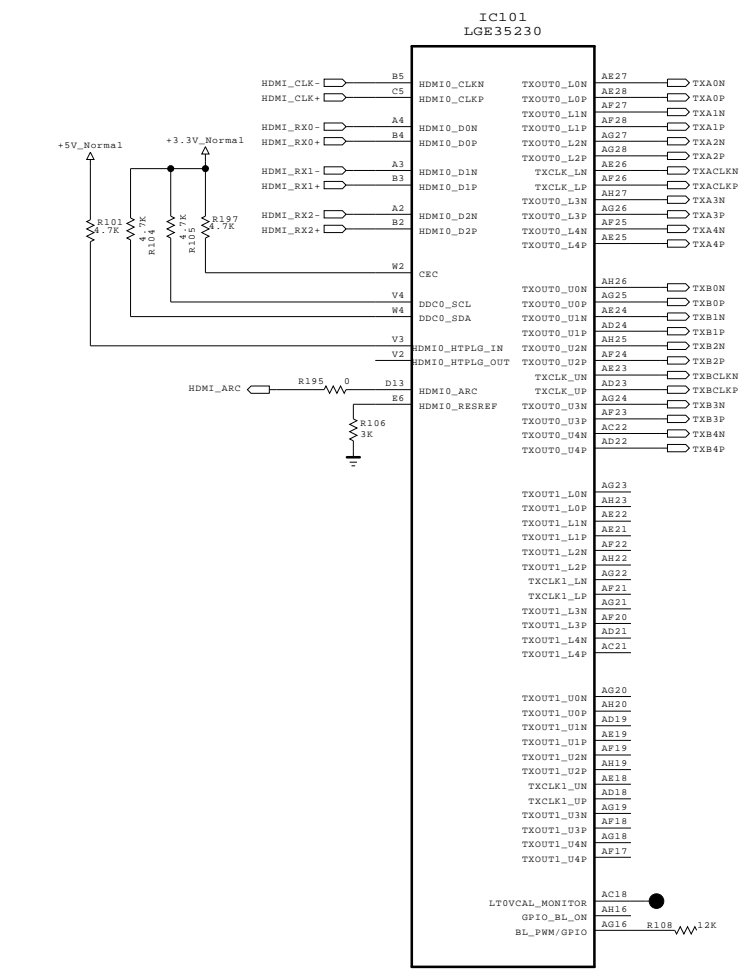
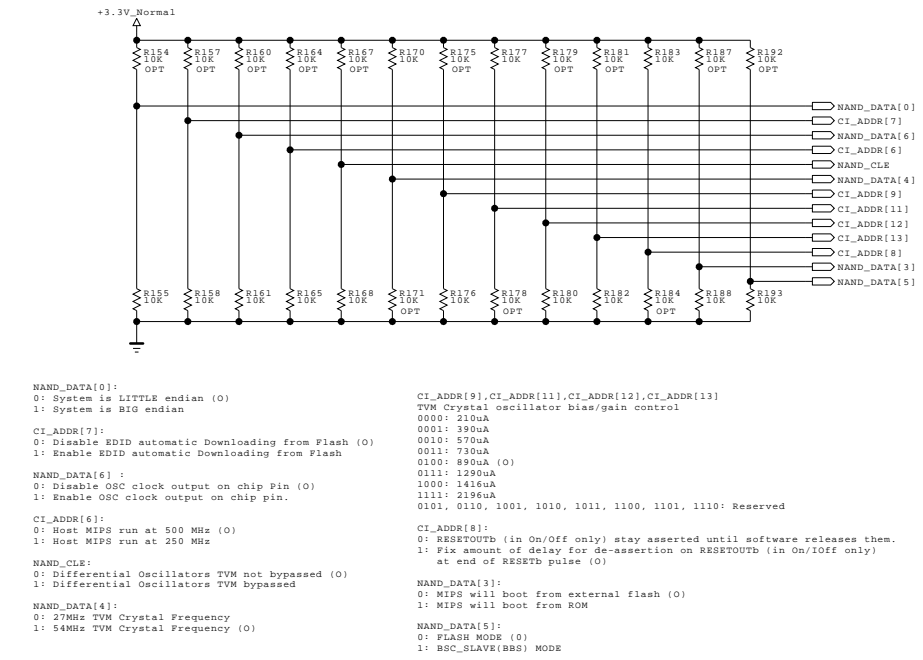
# Boot ROM Device Select - (FA4, FAD7, FAD2, FAD1)



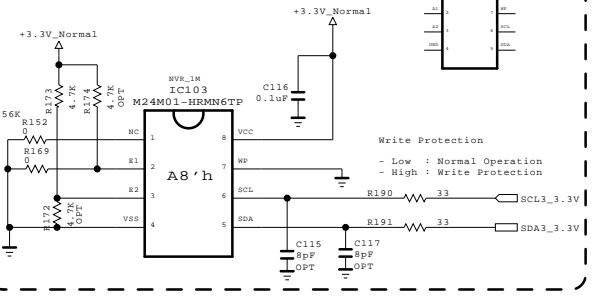
# NAND ECC (FA3, FA2, FA1E)



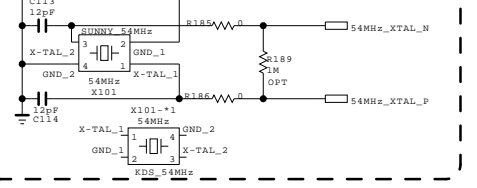
# Strap Setting



# NVRAM



# 54MHz X-TAL



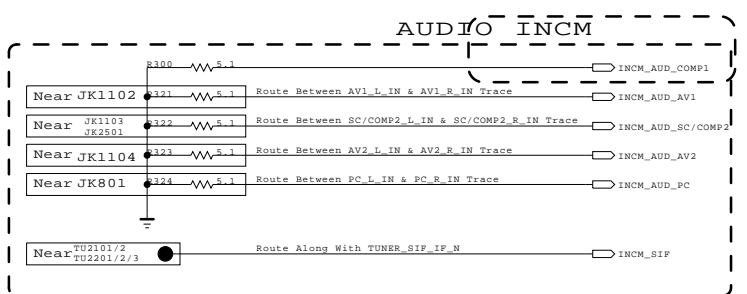
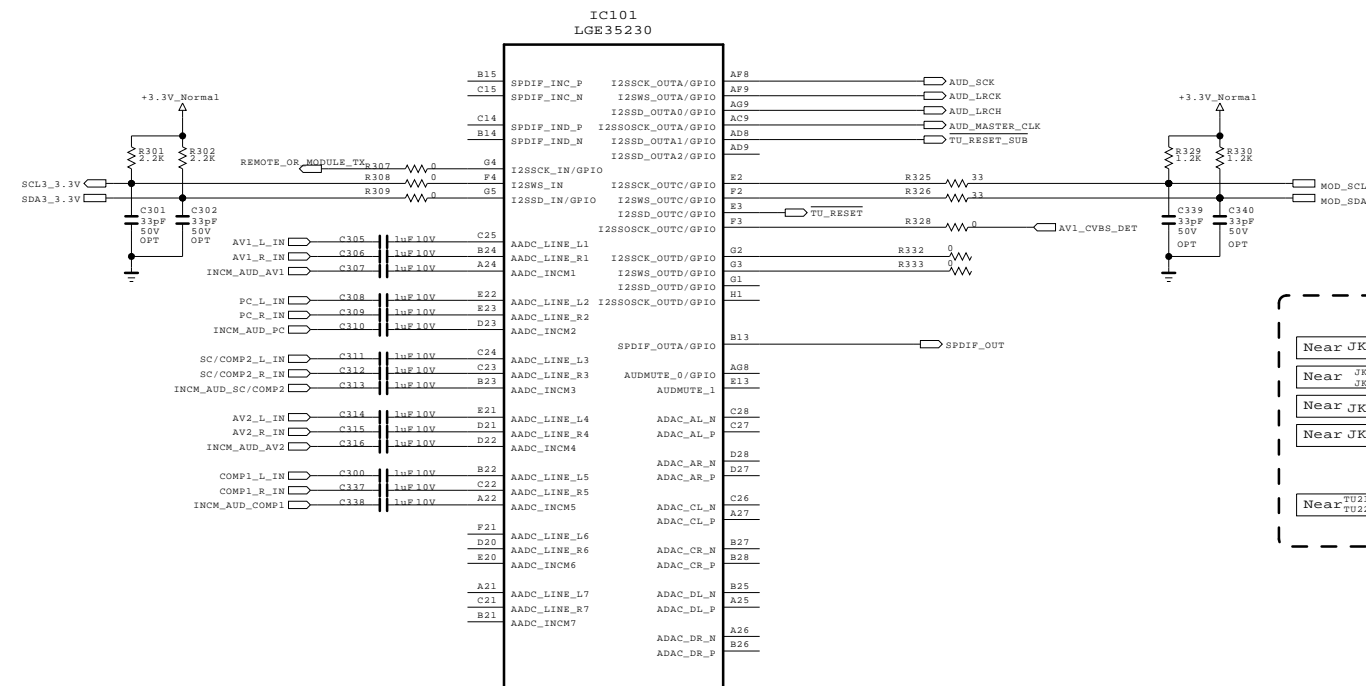
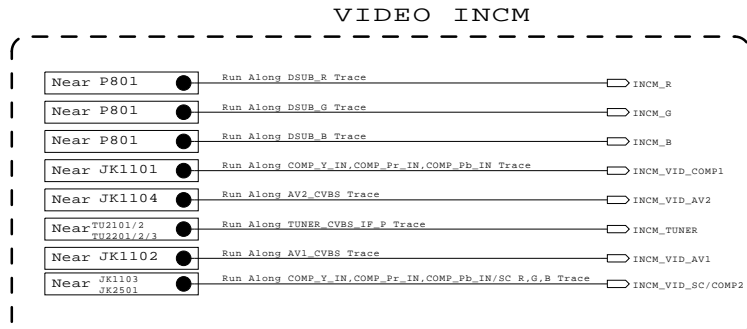
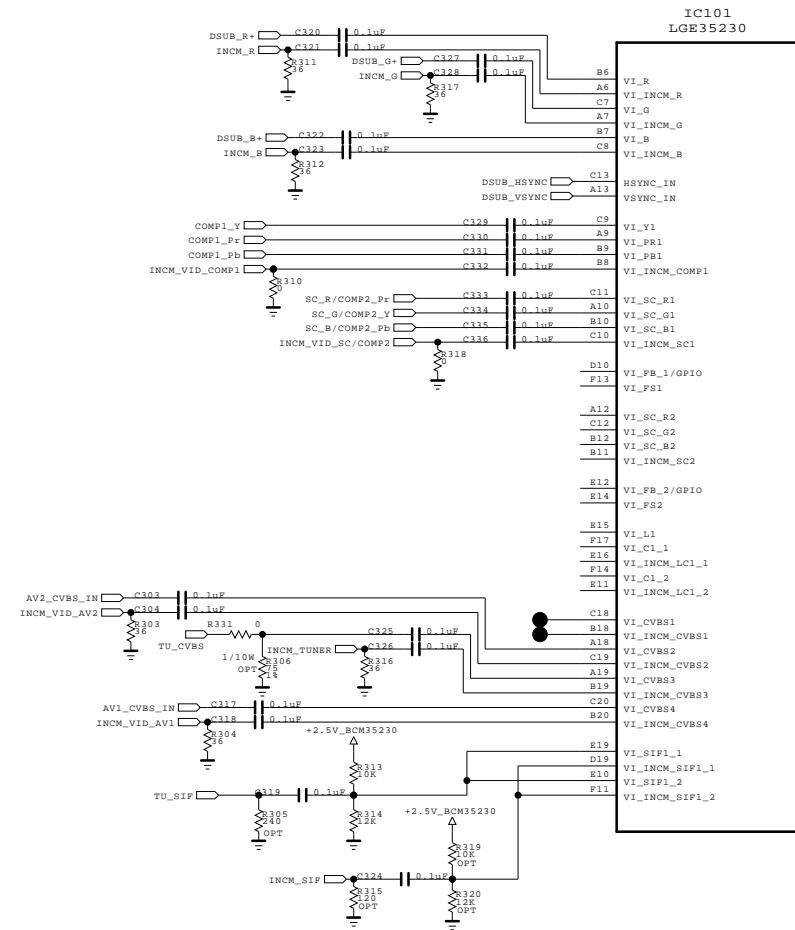
THE SYMBOL MARK OF THIS SCHEMATIC DIAGRAM INCORPORATES SPECIAL FEATURES IMPORTANT FOR PROTECTION FROM X-RADIATION. FILRE AND ELECTRICAL SHOCK HAZARDS, WHEN SERVICING IF IS ESSENTIAL THAT ONLY MANUFACTURES SPECIFIED PARTS BE USED FOR THE CRITICAL COMPONENTS IN THE SYMBOL MARK OF THE SCHEMATIC.

SECRET  
 LGElectronics



MODEL	BCM35230	DATE	
BLOCK	MAIN & NAND FLASH	SHEET	1 / 31





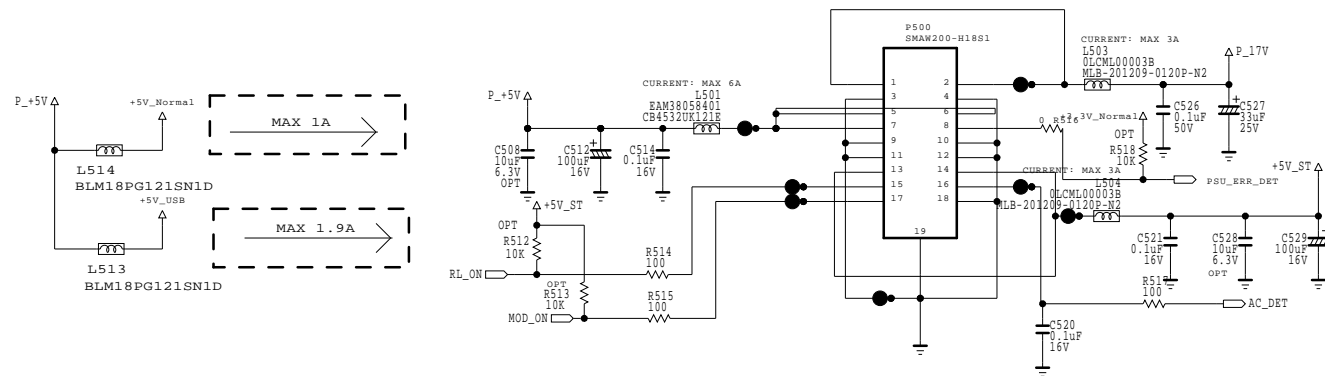
THE SYMBOL MARK OF THIS SCHEMATIC DIAGRAM INCORPORATES SPECIAL FEATURES IMPORTANT FOR PROTECTION FROM X-RADIATION. FILRE AND ELECTRICAL SHOCK HAZARDS, WHEN SERVICING IF IS ESSENTIAL THAT ONLY MANUFACTURES SPECIFIED PARTS BE USED FOR THE CRITICAL COMPONENTS IN THE SYMBOL MARK OF THE SCHEMATIC.

**SECRET**  
LGElectronics

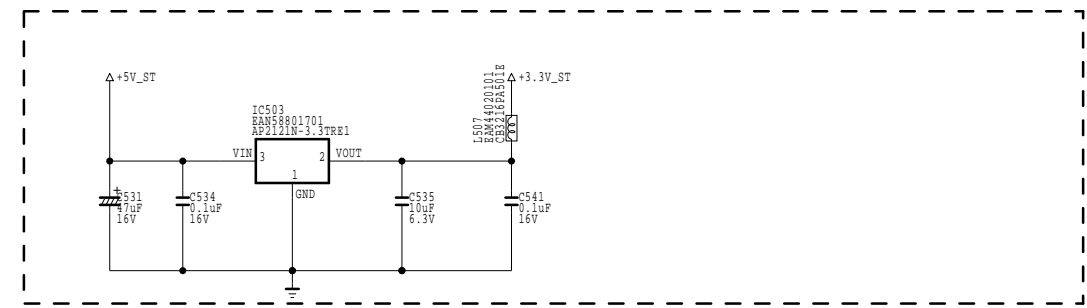


MODEL	BCM35230	DATE	
BLOCK	MAIN AUDIO/VIDEO	SHEET	3 / 31

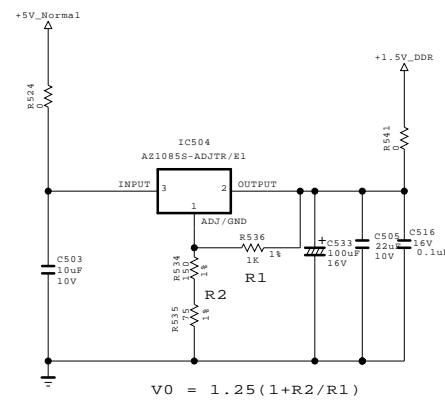




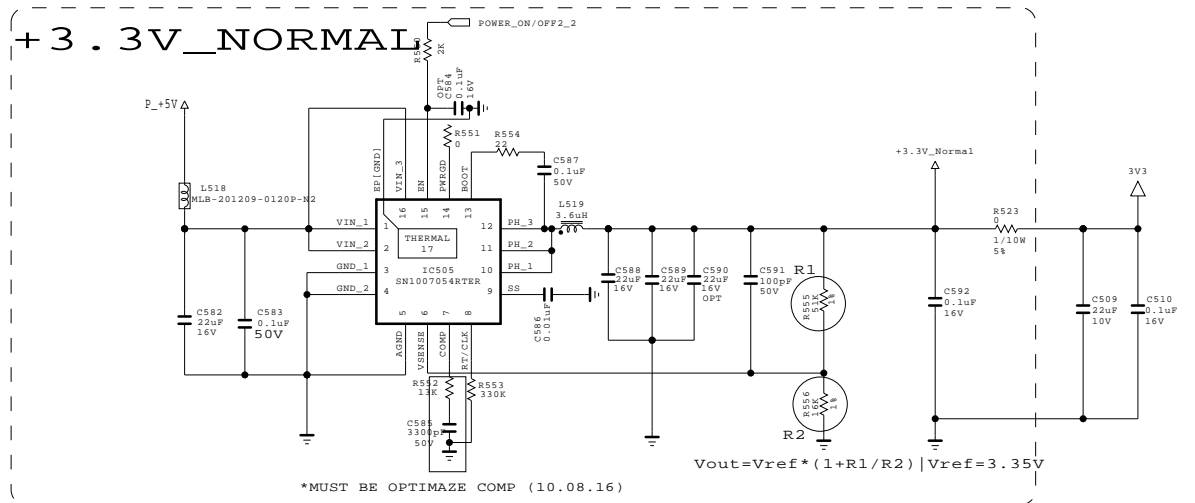
Stand-by (5VST --> +3.3V)



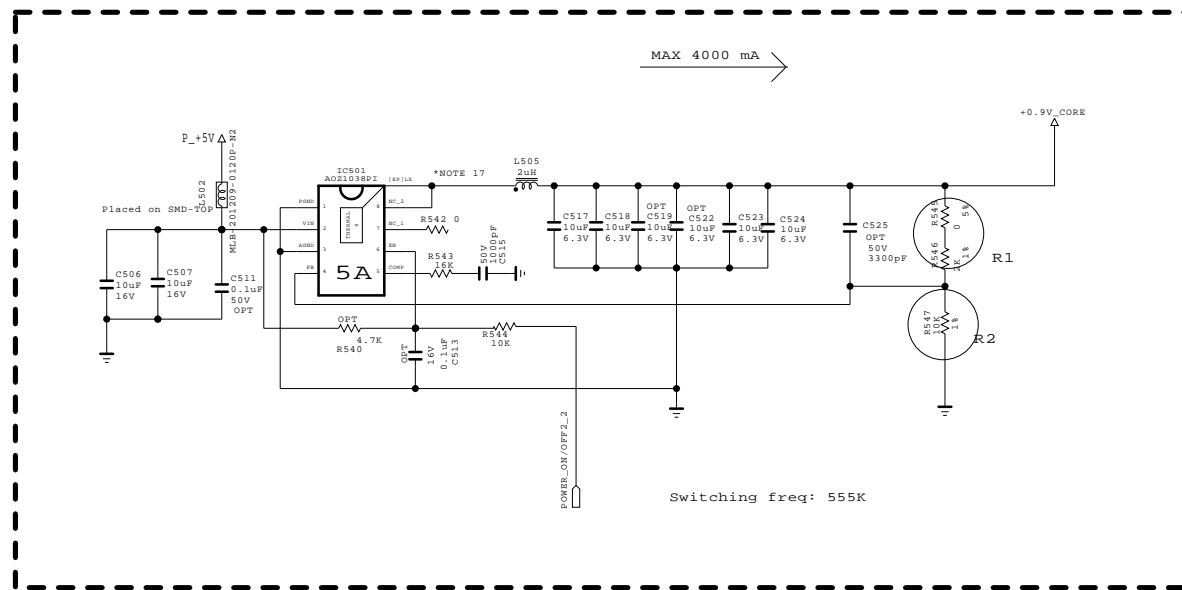
+1.5V\_DDR



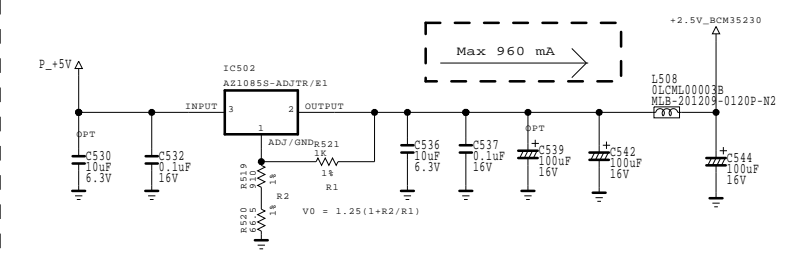
+3.3V\_NORMAL



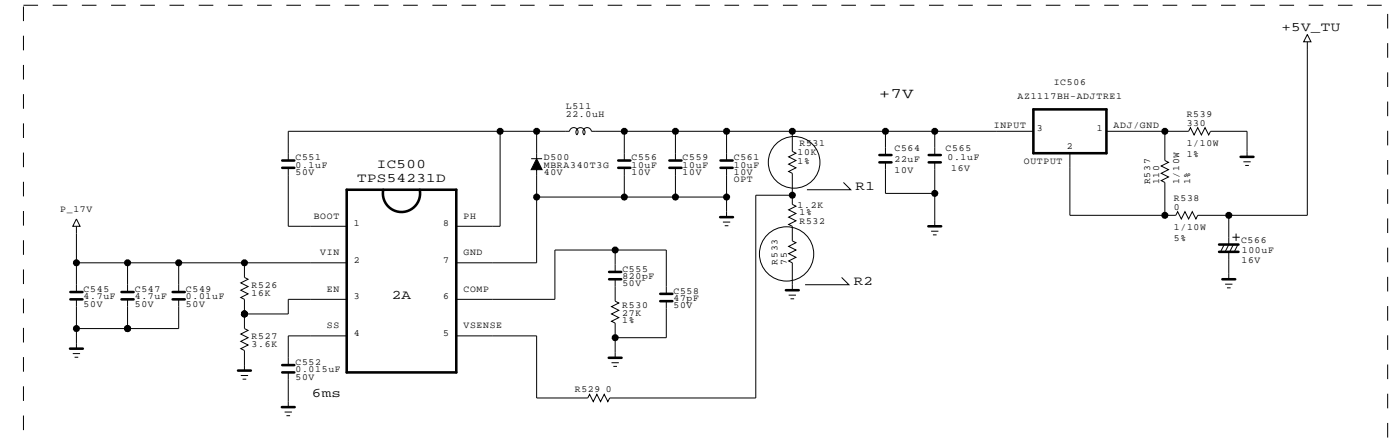
+0.9V\_CORE\_BCM35230 (AOZ1038PI)



+2.5V\_BCM35230



+5V\_TU



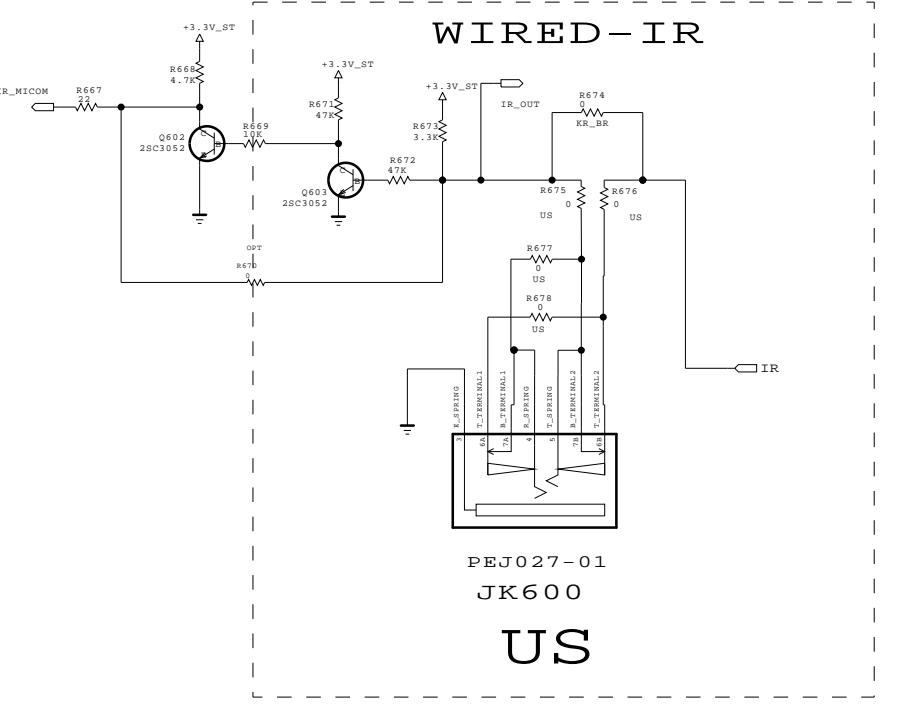
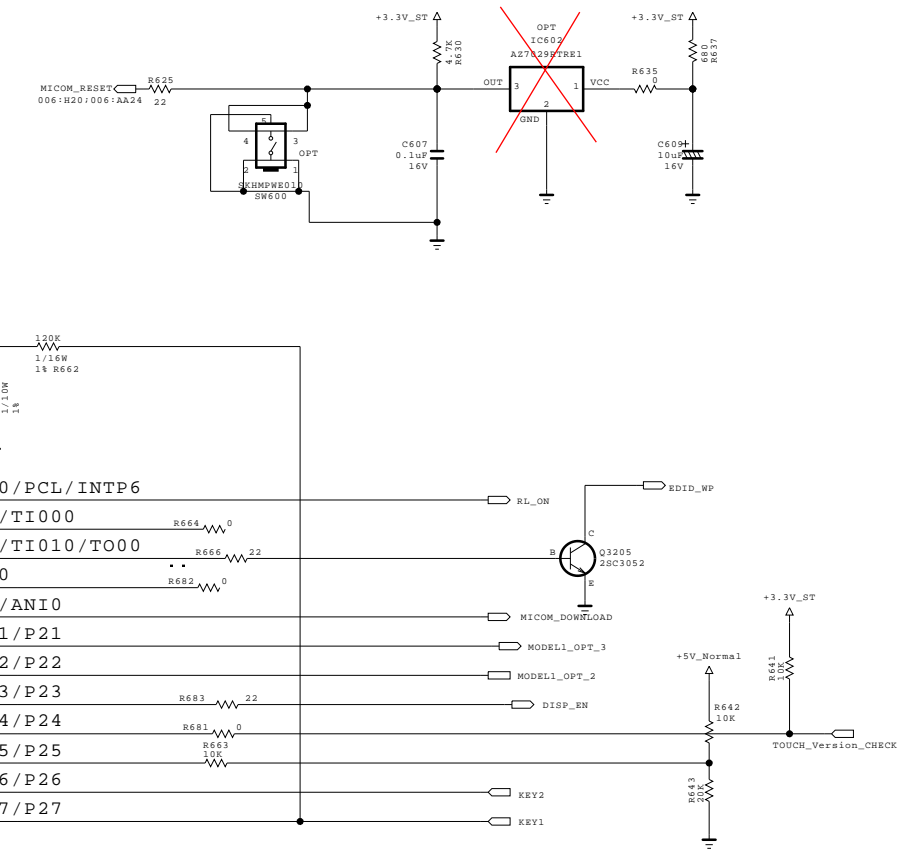
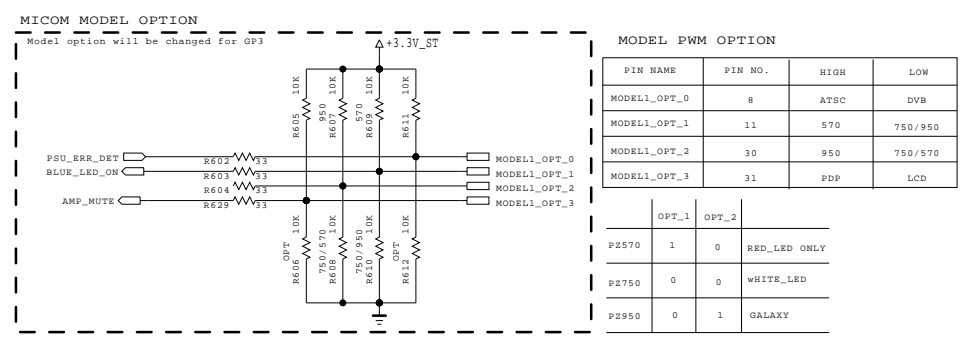
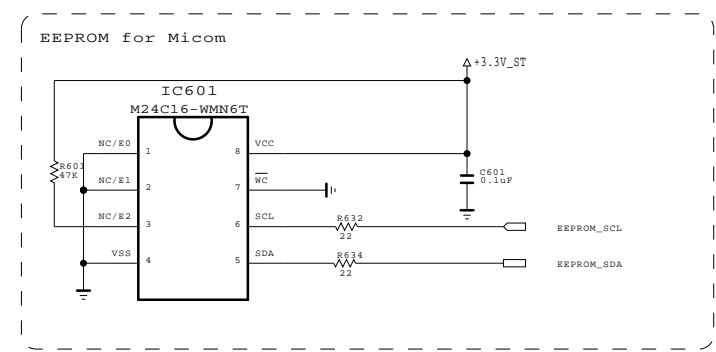
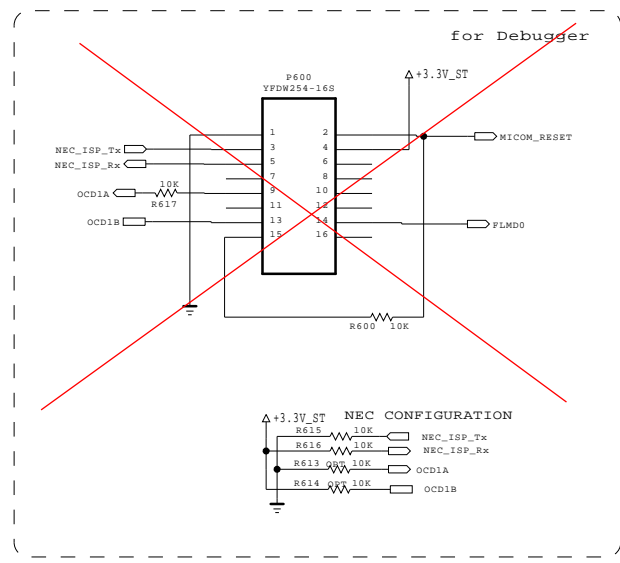
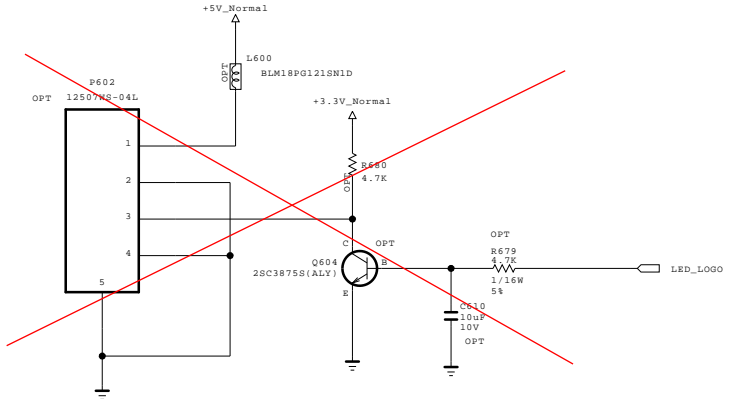
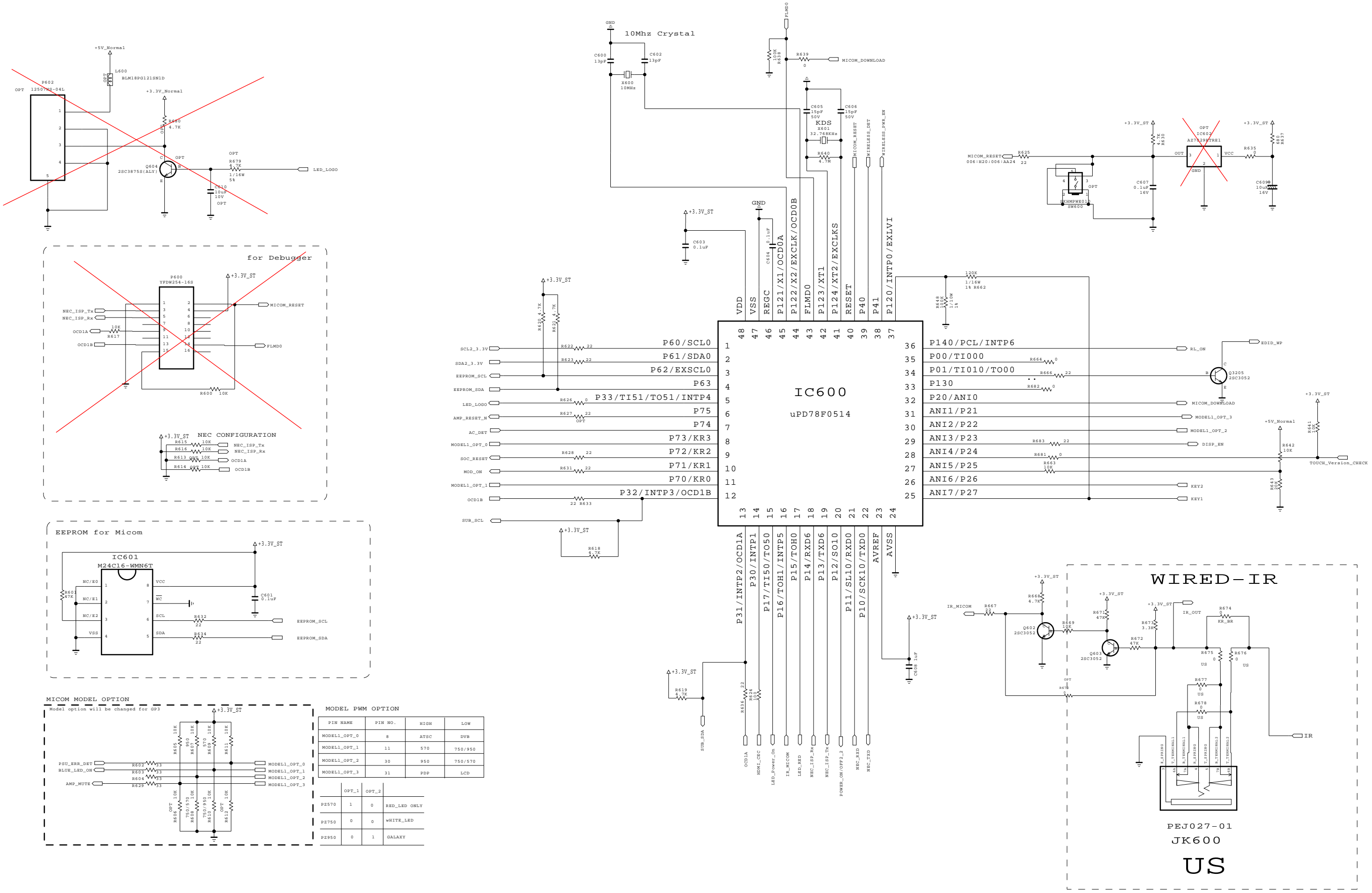
THE SYMBOL MARK OF THIS SCHEMATIC DIAGRAM INCORPORATES SPECIAL FEATURES IMPORTANT FOR PROTECTION FROM X-RADIATION. FILRE AND ELECTRICAL SHOCK HAZARDS, WHEN SERVICING IF IS ESSENTIAL THAT ONLY MANUFACTURES SPECIFIED PARTS BE USED FOR THE CRITICAL COMPONENTS IN THE SYMBOL MARK OF THE SCHEMATIC.

SECRET  
LGElectronics



MODEL	BCM35230	DATE	
BLOCK	POWER	SHEET	5 / 31



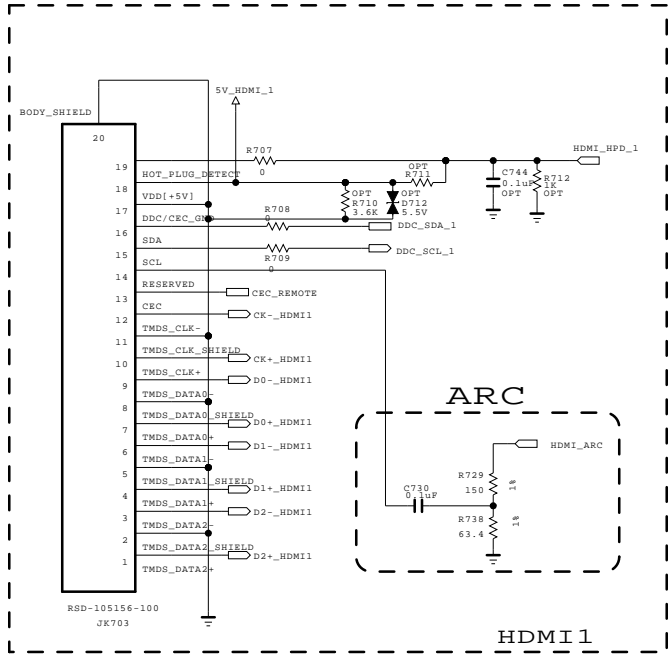


THE SYMBOL MARK OF THIS SCHEMATIC DIAGRAM INCORPORATES SPECIAL FEATURES IMPORTANT FOR PROTECTION FROM X-RADIATION. FILRE AND ELECTRICAL SHOCK HAZARDS, WHEN SERVICING IF IS ESSENTIAL THAT ONLY MANUFACTURES SPECIFIED PARTS BE USED FOR THE CRITICAL COMPONENTS IN THE SYMBOL MARK OF THE SCHEMATIC.

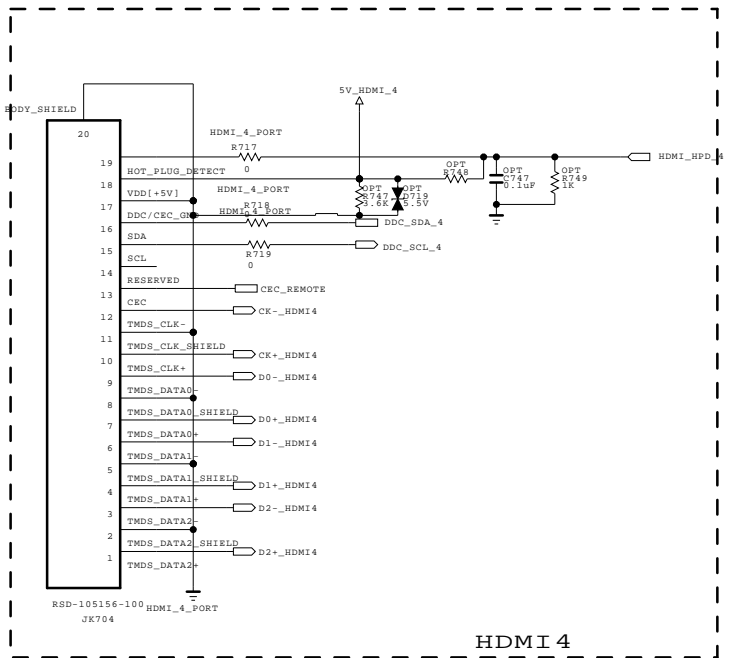
**SECRET**  
LGElectronics



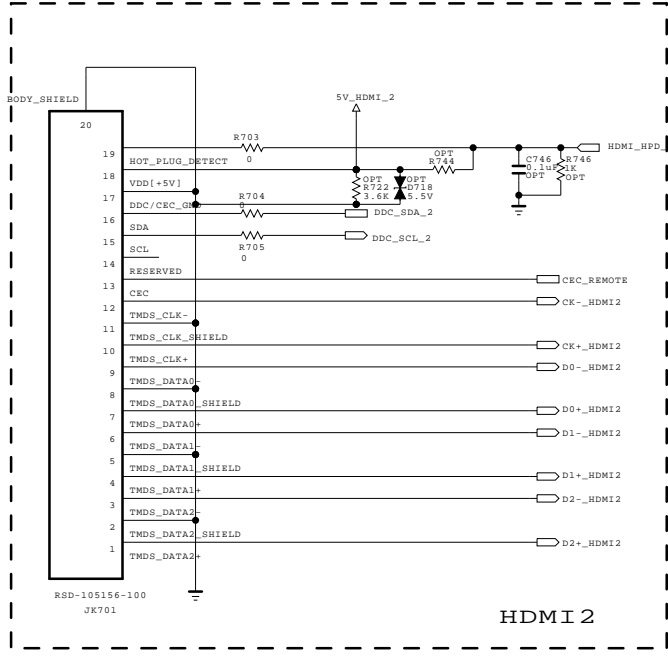
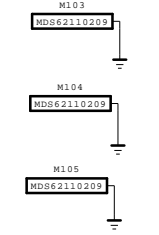
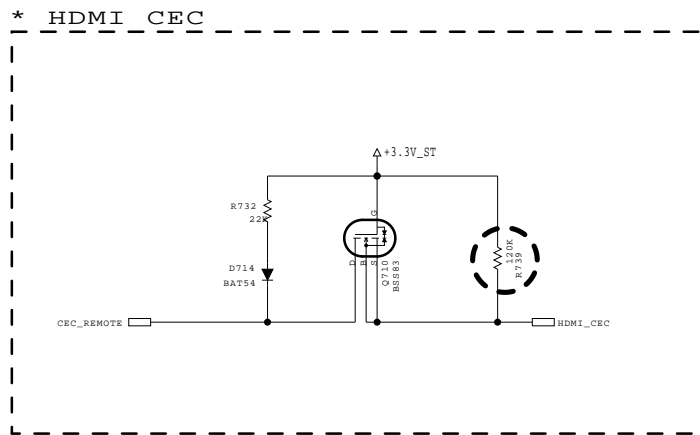
MODEL	BCM35230	DATE	
BLOCK	MICOM	SHEET	6 / 31



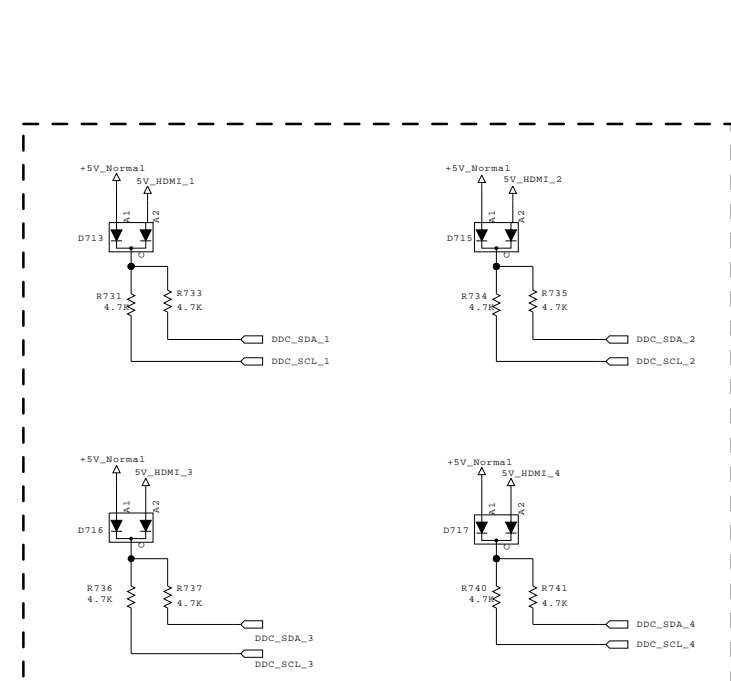
HDMI 1



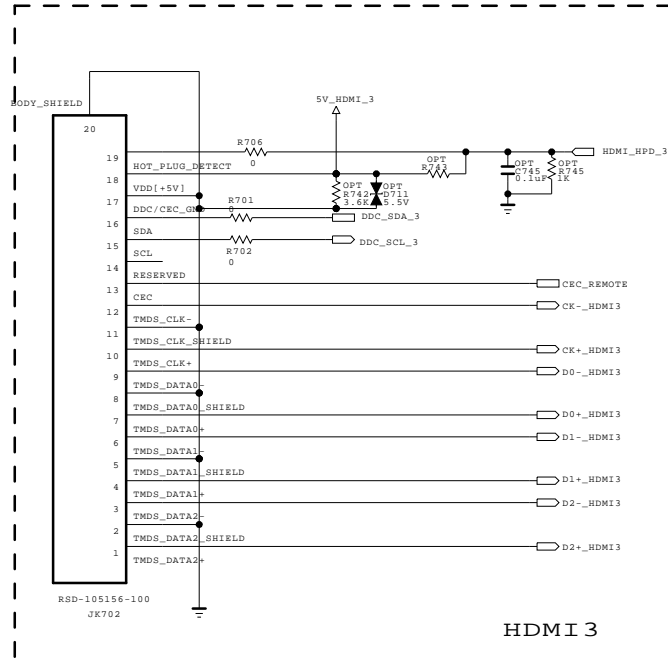
HDMI 4



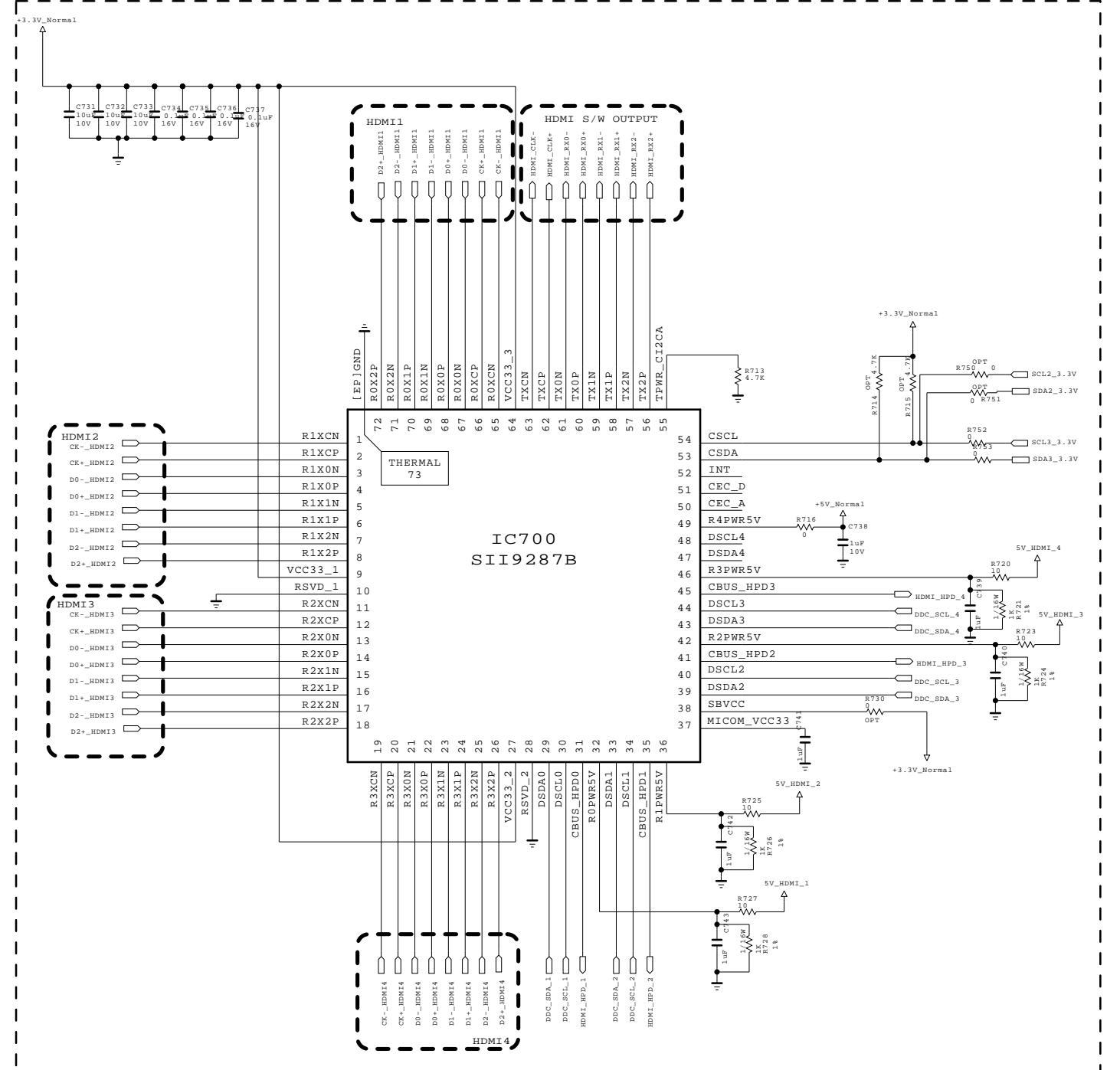
HDMI 2



EDID Pull-up



HDMI 3



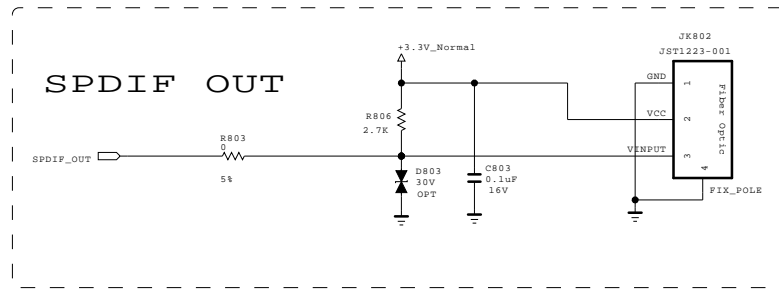
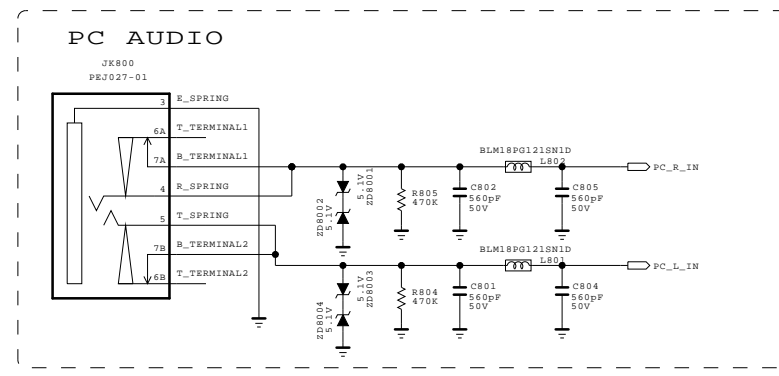
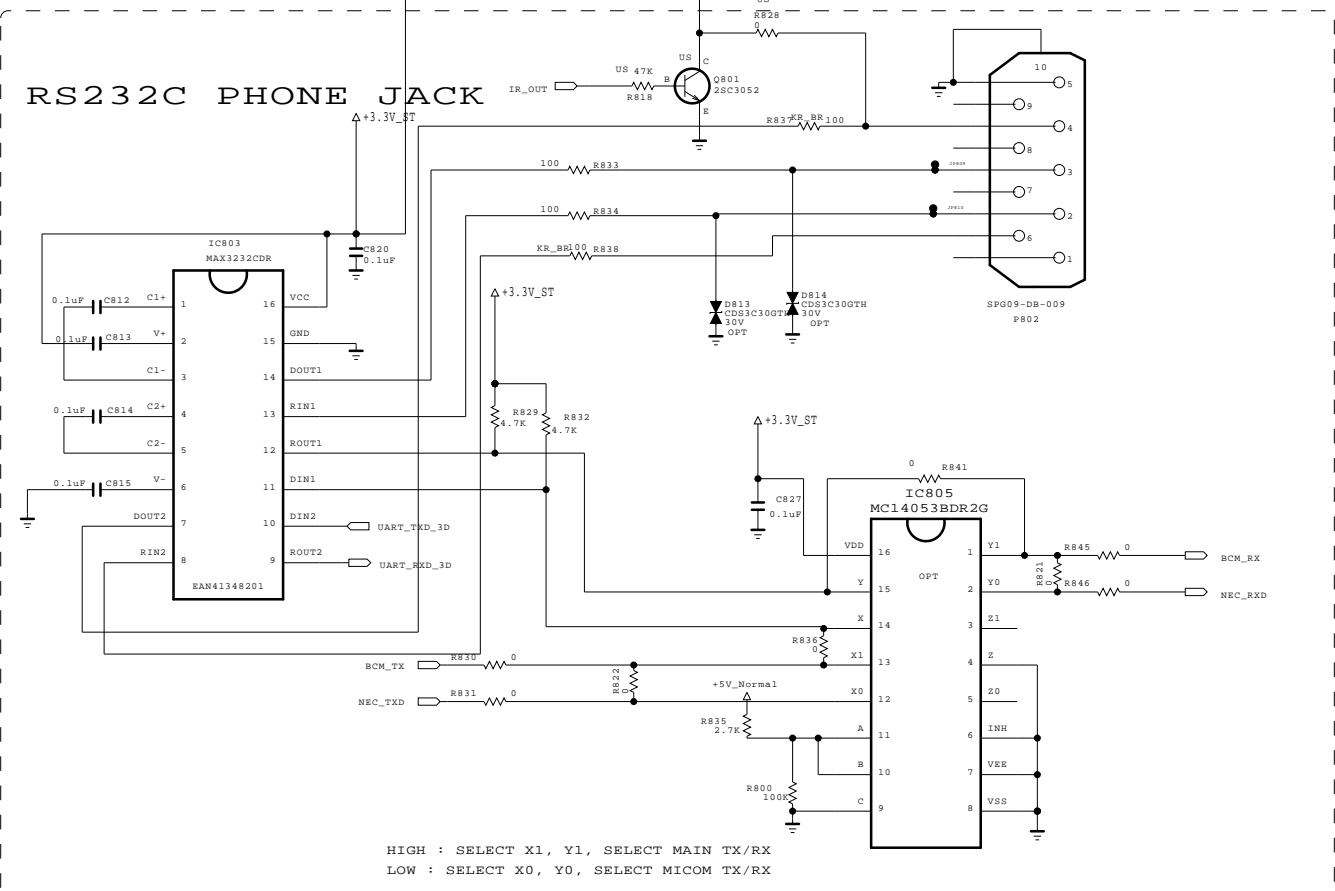
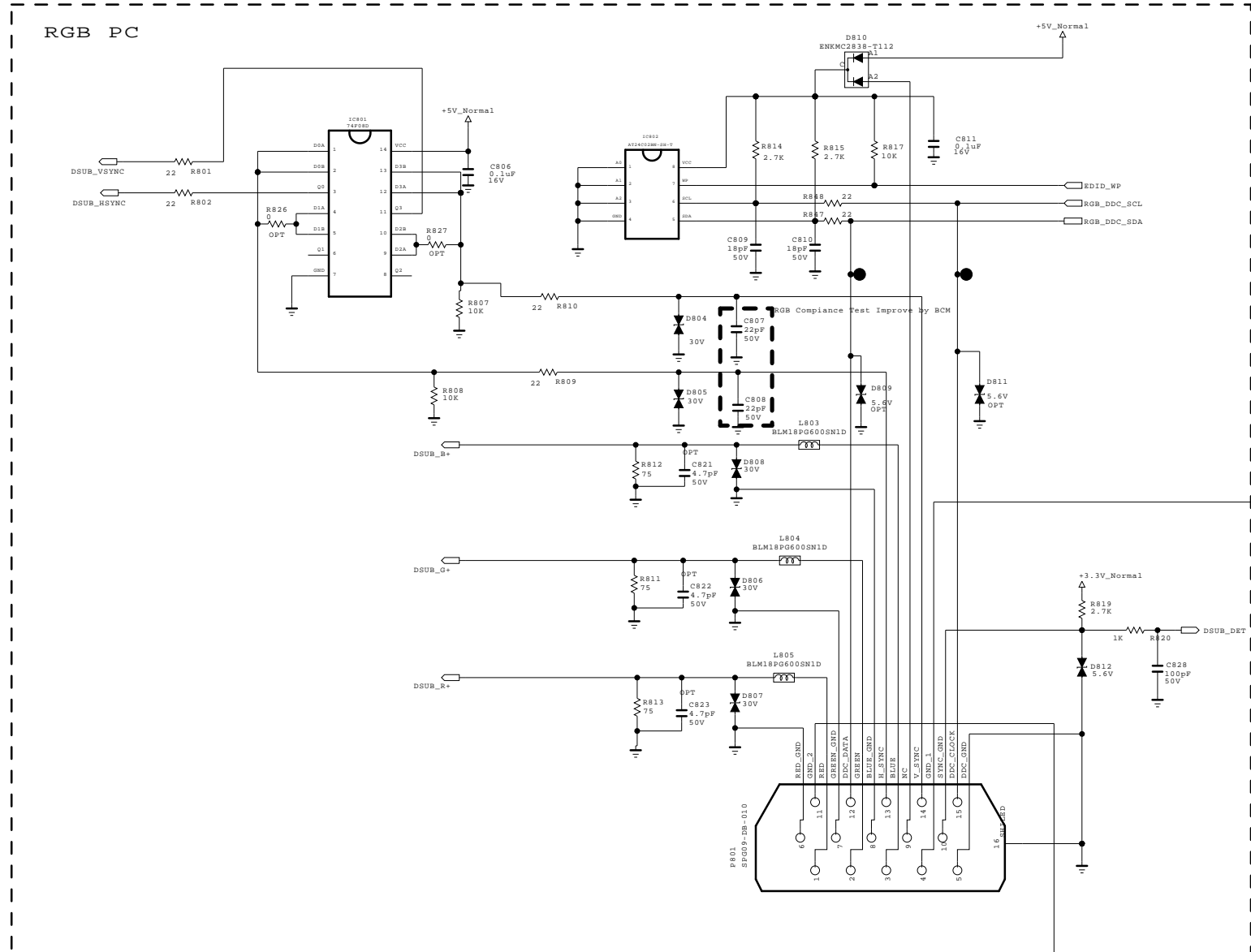
THE SYMBOL MARK OF THIS SCHEMATIC DIAGRAM INCORPORATES SPECIAL FEATURES IMPORTANT FOR PROTECTION FROM X-RADIATION. FILRE AND ELECTRICAL SHOCK HAZARDS, WHEN SERVICING IF IS ESSENTIAL THAT ONLY MANUFACTURES SPECIFIED PARTS BE USED FOR THE CRITICAL COMPONENTS IN THE SYMBOL MARK OF THE SCHEMATIC.

SECRET  
LGElectronics



MODEL	BCM35230	DATE	
BLOCK	HDMI	SHEET	7 / 31

RGB/ PC AUDIO/ SPDIF/ EARPHONE/ RS232C



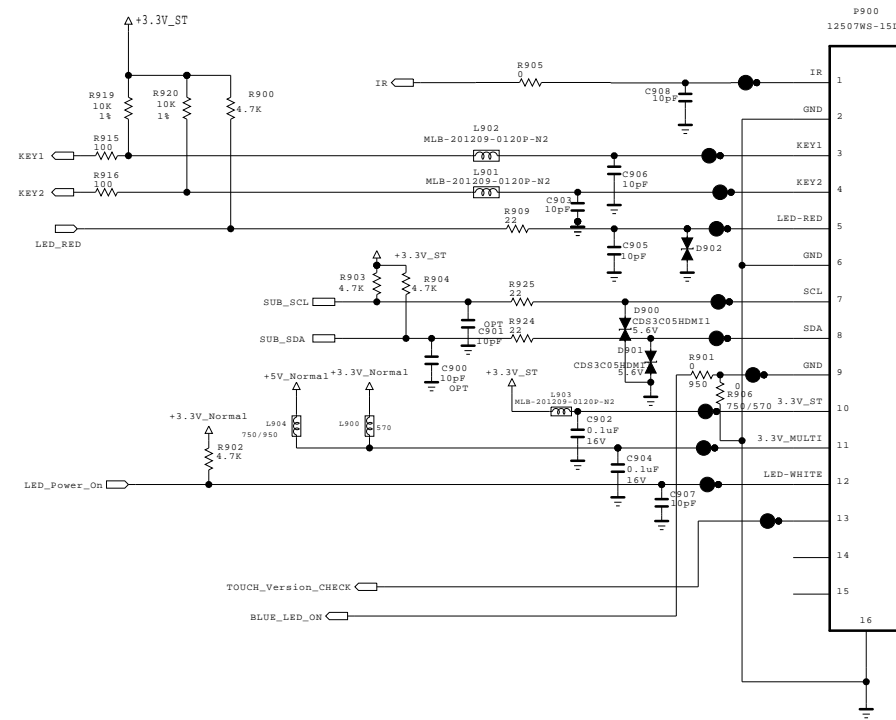
THE SYMBOL MARK OF THIS SCHEMATIC DIAGRAM INCORPORATES SPECIAL FEATURES IMPORTANT FOR PROTECTION FROM X-RADIATION. FILRE AND ELECTRICAL SHOCK HAZARDS, WHEN SERVICING IF IS ESSENTIAL THAT ONLY MANUFACTURES SPECIFIED PARTS BE USED FOR THE CRITICAL COMPONENTS IN THE SYMBOL MARK OF THE SCHEMATIC.

SECRET  
LGElectronics



MODEL	BCM35230	DATE	
BLOCK	COMMON JACK	SHEET	8 / 31

# SUB Board I/F



**\*\* IR OPT LIST**

570 : L900 -> JUST INPUT TOUCH KEY VOLTAGE 3.3V  
 750/950 : L904 -> GALAXY INPUT VOLTAGE 5V  
 750/570 : R906 -> GALAXY CTRL PIN GND  
 905 : R901 -> GALAXY GTRL PIN - BLUE\_LED\_ON PATH

THE SYMBOL MARK OF THIS SCHEMATIC DIAGRAM INCORPORATES SPECIAL FEATURES IMPORTANT FOR PROTECTION FROM X-RADIATION. FILRE AND ELECTRICAL SHOCK HAZARDS, WHEN SERVICING IF IS ESSENTIAL THAT ONLY MANUFACTURES SPECIFIED PARTS BE USED FOR THE CRITICAL COMPONENTS IN THE SYMBOL MARK OF THE SCHEMATIC.

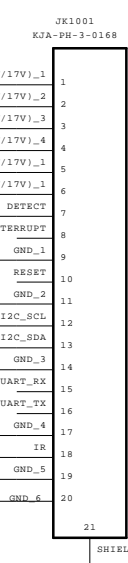
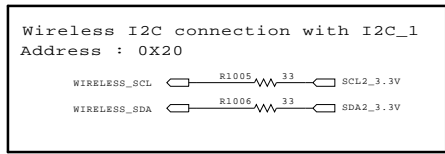
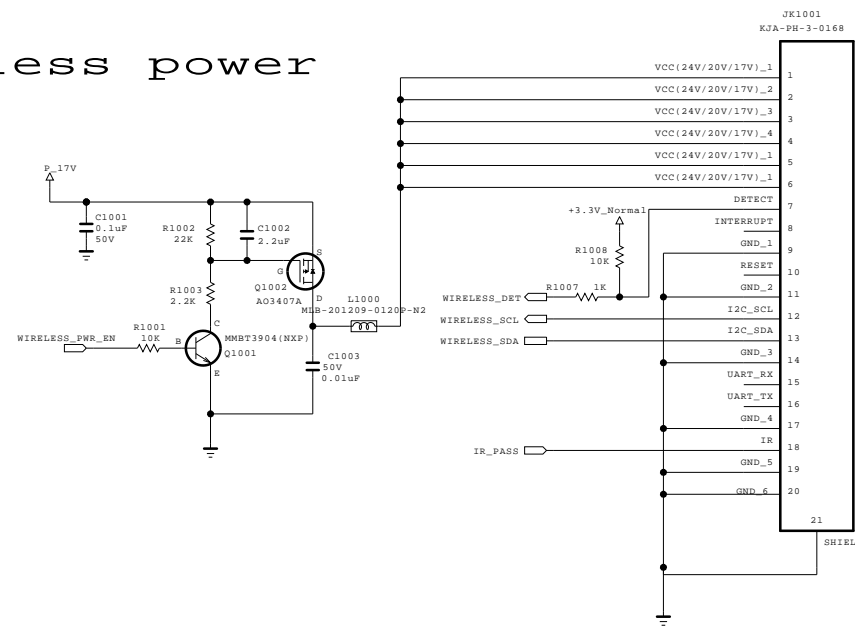
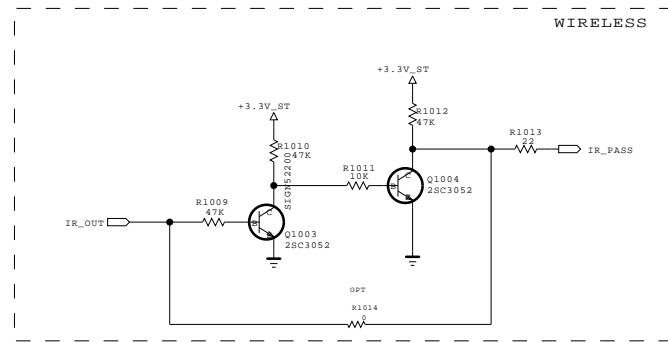
**SECRET**  
LGElectronics



MODEL	BCM35230	DATE	
BLOCK	IR/KEY	SHEET	9 / 31

# WIRELESS READY MODEL

## Wireless power

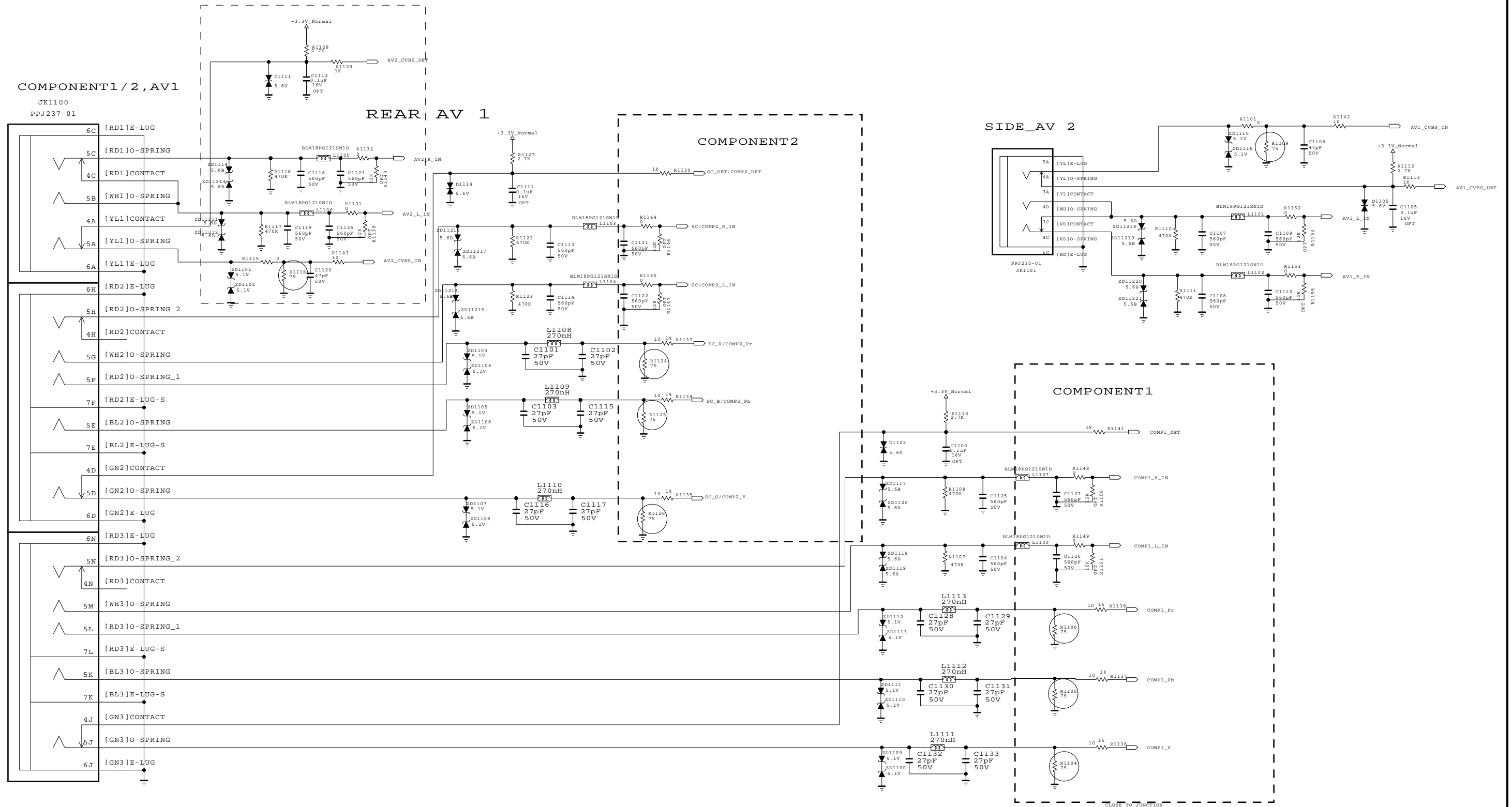


THE SYMBOL MARK OF THIS SCHEMATIC DIAGRAM INCORPORATES SPECIAL FEATURES IMPORTANT FOR PROTECTION FROM X-RADIATION. FILRE AND ELECTRICAL SHOCK HAZARDS, WHEN SERVICING IF IS ESSENTIAL THAT ONLY MANUFACTURES SPECIFIED PARTS BE USED FOR THE CRITICAL COMPONENTS IN THE SYMBOL MARK OF THE SCHEMATIC.

**SECRET**  
LGElectronics



MODEL	BCM35230	DATE	
BLOCK	WIRELESS	SHEET	10 / 31

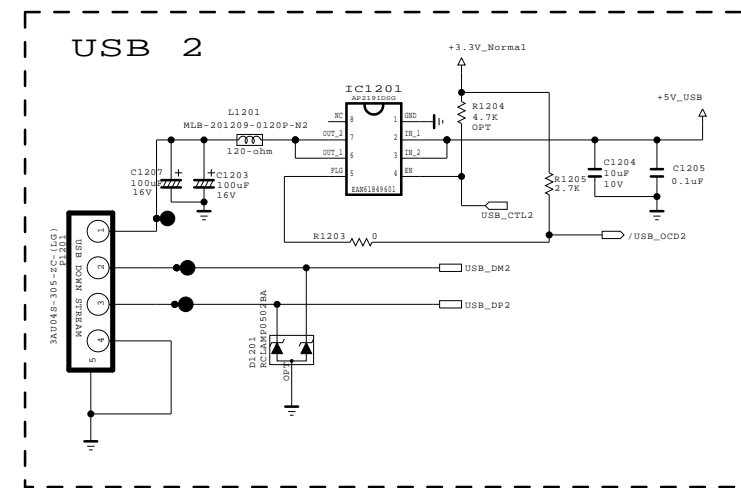
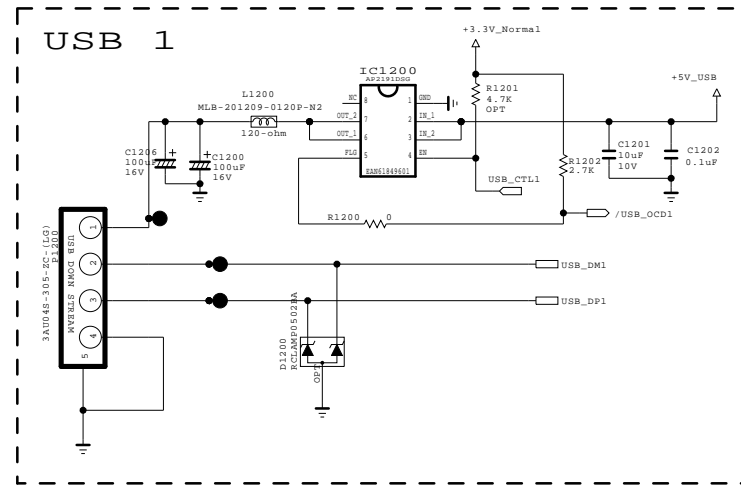


THE SYMBOL MARK OF THIS SCHEMATIC DIAGRAM INCORPORATES SPECIAL FEATURES IMPORTANT FOR PROTECTION FROM X-RADIATION. FILRE AND ELECTRICAL SHOCK HAZARDS, WHEN SERVICING IF IS ESSENTIAL THAT ONLY MANUFACTURES SPECIFIED PARTS BE USED FOR THE CRITICAL COMPONENTS IN THE SYMBOL MARK OF THE SCHEMATIC.

**SECRET**  
LGElectronics



MODEL	BCM35230	DATE	
BLOCK	COMP / AV	SHEET	11 / 31



THE SYMBOL MARK OF THIS SCHEMATIC DIAGRAM INCORPORATES SPECIAL FEATURES IMPORTANT FOR PROTECTION FROM X-RADIATION. FILRE AND ELECTRICAL SHOCK HAZARDS, WHEN SERVICING IF IS ESSENTIAL THAT ONLY MANUFACTURES SPECIFED PARTS BE USED FOR THE CRITICAL COMPONENTS IN THE SYMBOL MARK OF THE SCHEMATIC.

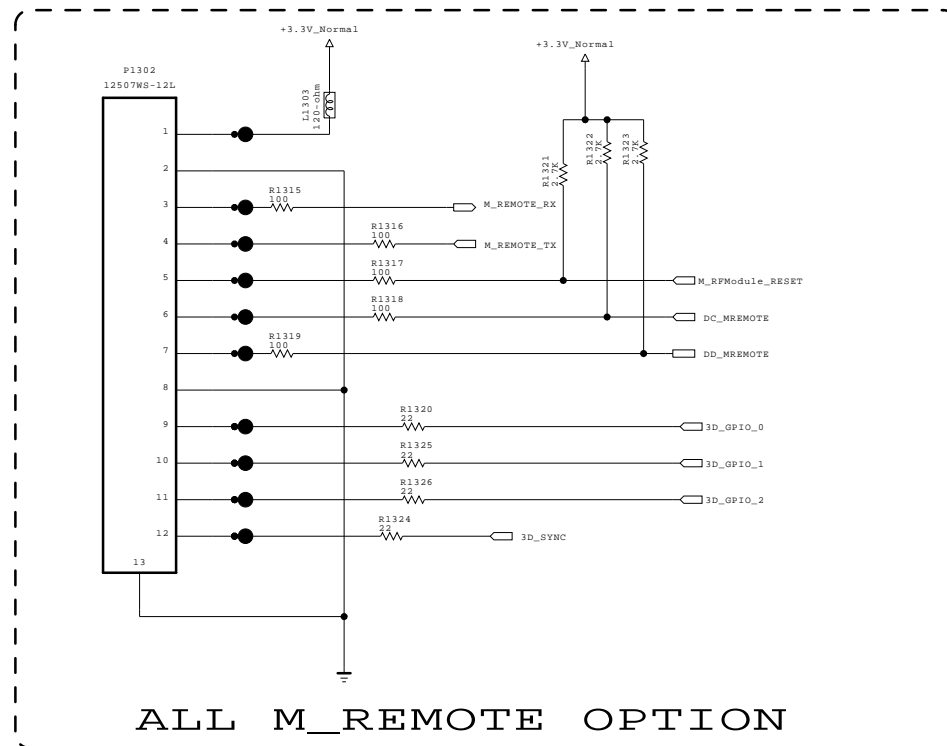
SECRET  
LGElectronics



MODEL	BCM35230	DATE	
BLOCK	USB	SHEET	12 / 31

# Motion Remote controller

## TI solution M\_REMOTE OPTION



THE SYMBOL MARK OF THIS SCHEMATIC DIAGRAM INCORPORATES SPECIAL FEATURES IMPORTANT FOR PROTECTION FROM X-RADIATION. FILRE AND ELECTRICAL SHOCK HAZARDS, WHEN SERVICING IF IS ESSENTIAL THAT ONLY MANUFACTURES SPECIFIED PARTS BE USED FOR THE CRITICAL COMPONENTS IN THE SYMBOL MARK OF THE SCHEMATIC.

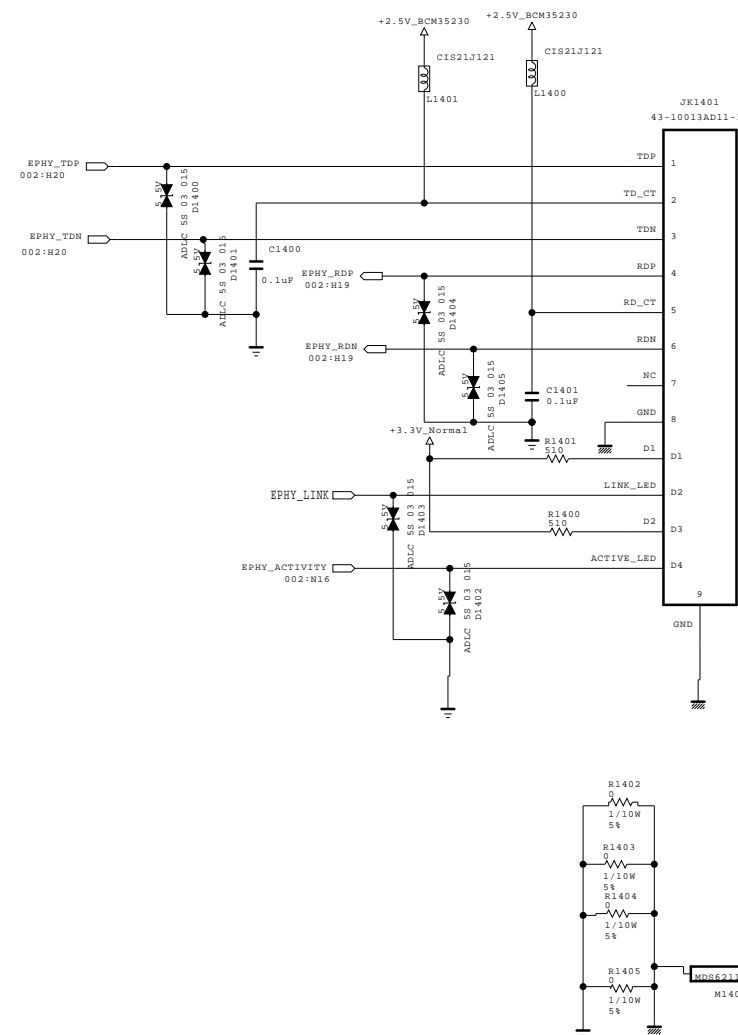
**SECRET**  
LGElectronics



MODEL	BCM35230	DATE	
BLOCK	M_REMOCON	SHEET	13 / 31



# Ethernet Block




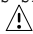
THE SYMBOL MARK OF THIS SCHEMATIC DIAGRAM INCORPORATES SPECIAL FEATURES IMPORTANT FOR PROTECTION FROM X-RADIATION. FILRE AND ELECTRICAL SHOCK HAZARDS, WHEN SERVICING IF IS ESSENTIAL THAT ONLY MANUFACTURES SPECIFIED PARTS BE USED FOR THE CRITICAL COMPONENTS IN THE SYMBOL MARK OF THE SCHEMATIC.

SECRET  
LGElectronics



MODEL	BCM35230	DATE	
BLOCK	ETHERNET	SHEET	14 / 31

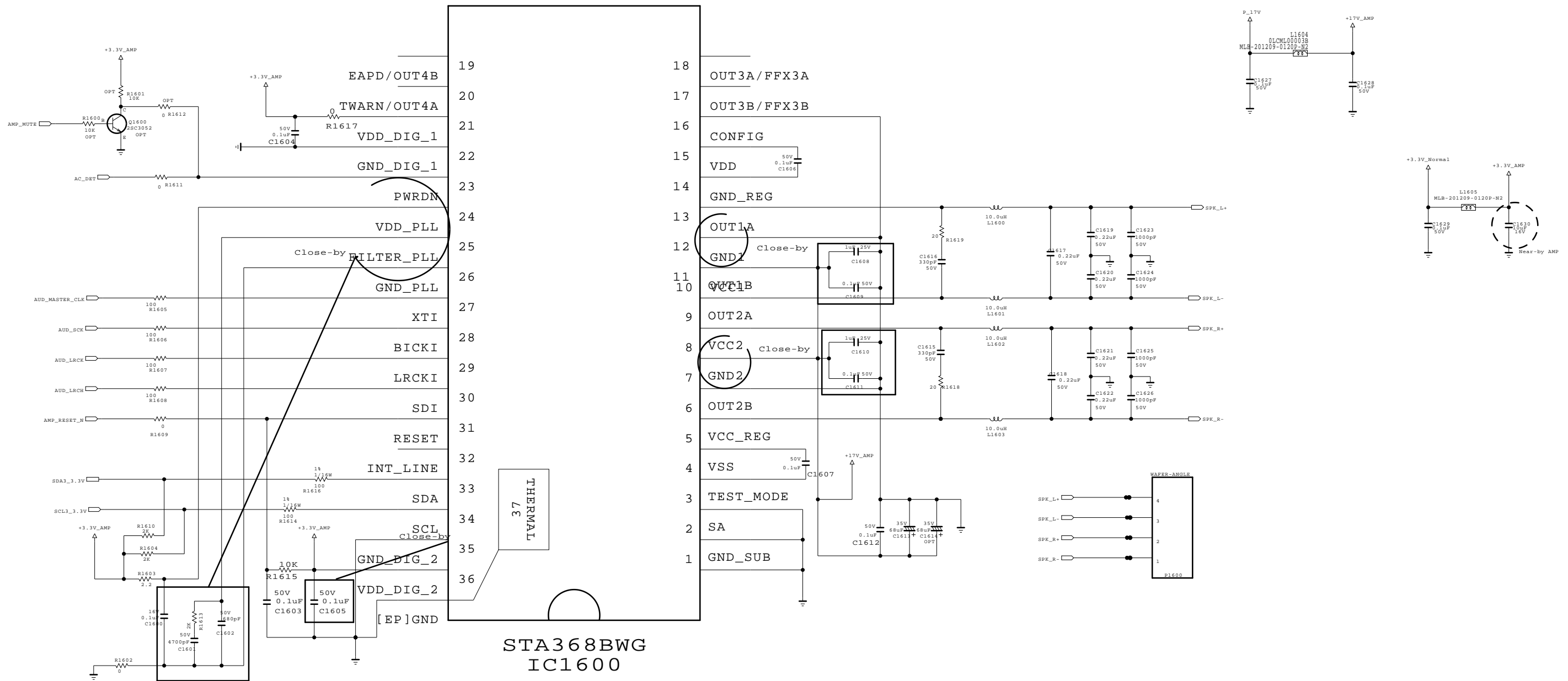
LVDS

THE  SYMBOL MARK OF THIS SCHEMATIC DIAGRAM INCORPORATES SPECIAL FEATURES IMPORTANT FOR PROTECTION FROM X-RADIATION. FILRE AND ELECTRICAL SHOCK HAZARDS, WHEN SERVICING IF IS ESSENTIAL THAT ONLY MANUFACTURES SPECIFIED PARTS BE USED FOR THE CRITICAL COMPONENTS IN THE  SYMBOL MARK OF THE SCHEMATIC.

SECRET  
LGElectronics



MODEL	BCM35230	DATE	
BLOCK	LVDS	SHEET	15 / 31



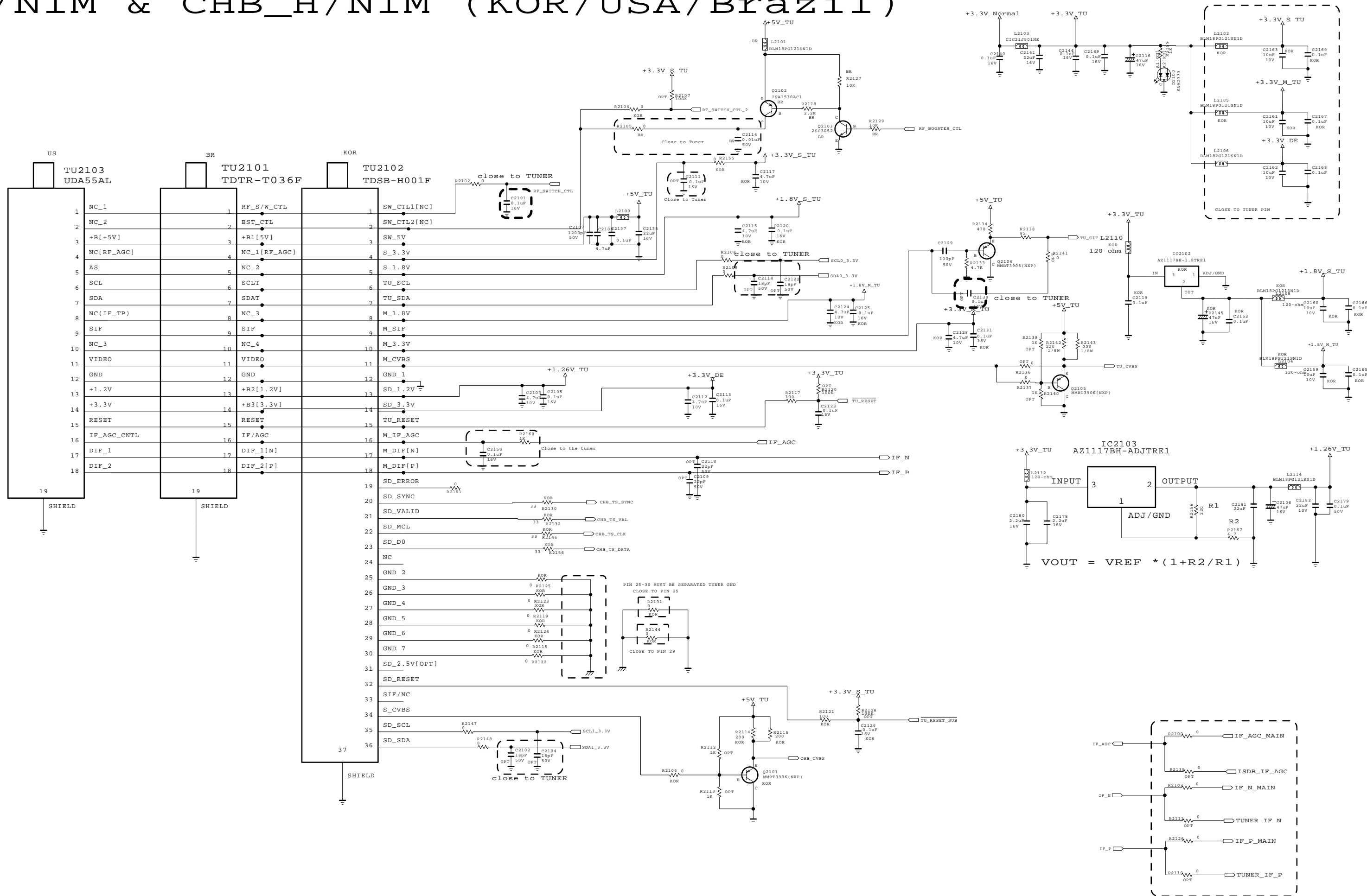
THE SYMBOL MARK OF THIS SCHEMATIC DIAGRAM INCORPORATES SPECIAL FEATURES IMPORTANT FOR PROTECTION FROM X-RADIATION. FILRE AND ELECTRICAL SHOCK HAZARDS, WHEN SERVICING IF IS ESSENTIAL THAT ONLY MANUFACTURES SPECIFIED PARTS BE USED FOR THE CRITICAL COMPONENTS IN THE SYMBOL MARK OF THE SCHEMATIC.

SECRET  
LGElectronics



MODEL	MSD3368EV Platform	DATE	
BLOCK	AUDIO	SHEET	6 / 10

# H/NIM & CHB\_H/NIM (KOR/USA/Brazil)



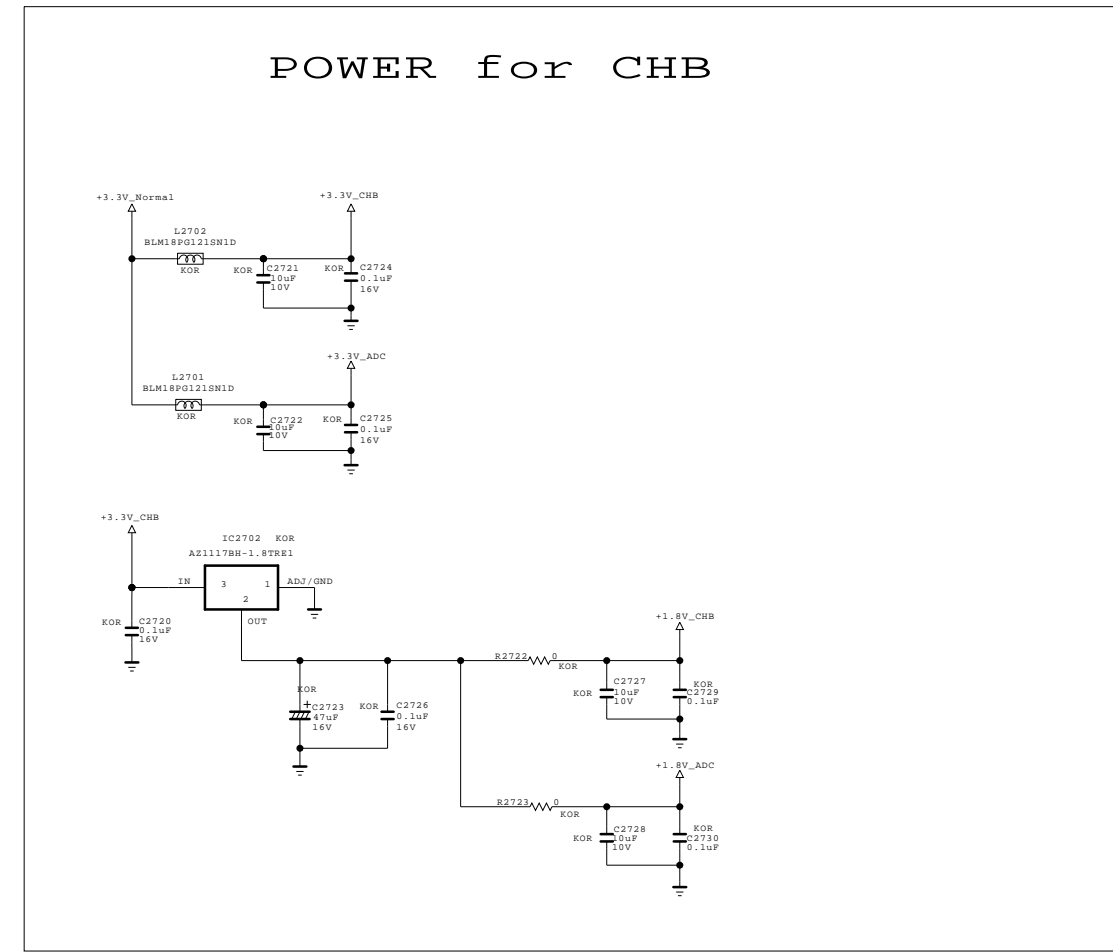
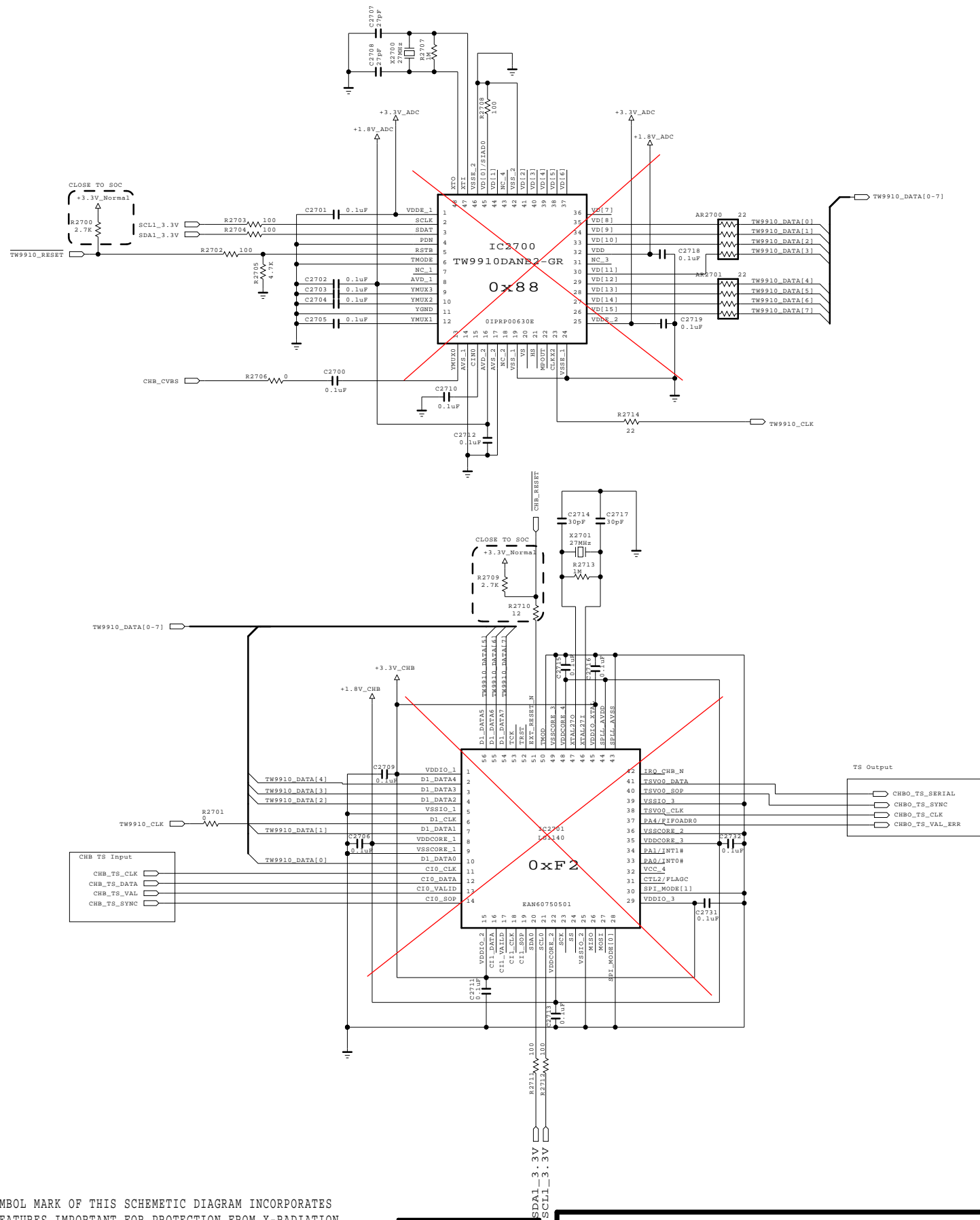
THE  $\Delta$  SYMBOL MARK OF THIS SCHEMATIC DIAGRAM INCORPORATES SPECIAL FEATURES IMPORTANT FOR PROTECTION FROM X-RADIATION. FILRE AND ELECTRICAL SHOCK HAZARDS, WHEN SERVICING IF IS ESSENTIAL THAT ONLY MANUFACTURERS SPECIFIED PARTS BE USED FOR THE CRITICAL COMPONENTS IN THE  $\Delta$  SYMBOL MARK OF THE SCHEMATIC.

**SECRET**  
LGElectronics



MODEL	BCM35230	DATE	
BLOCK	TUNER DUAL	SHEET	21 / 31

# CHANNEL BROWSER



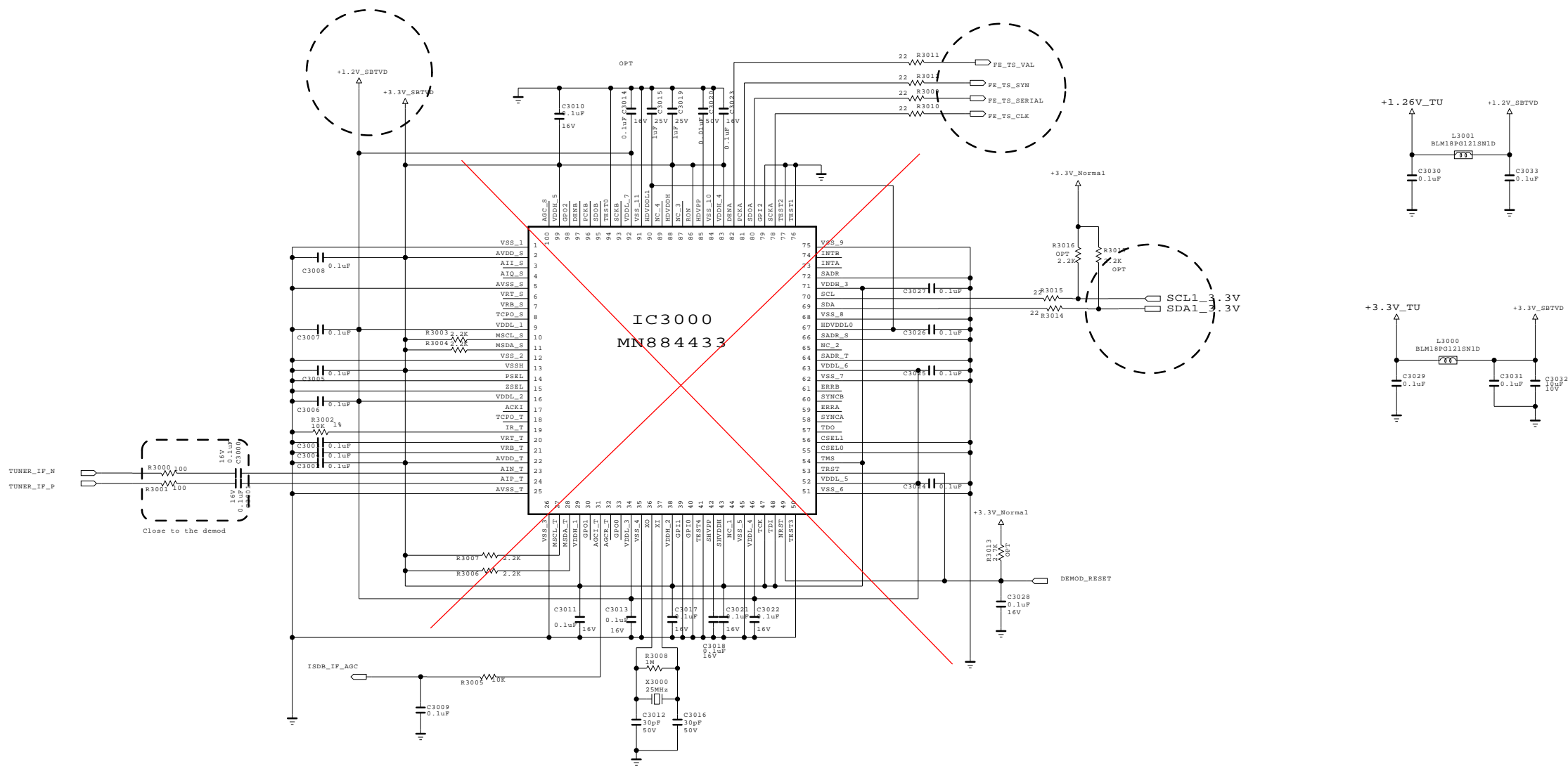
THE SYMBOL MARK OF THIS SCHEMATIC DIAGRAM INCORPORATES SPECIAL FEATURES IMPORTANT FOR PROTECTION FROM X-RADIATION. FILRE AND ELECTRICAL SHOCK HAZARDS, WHEN SERVICING IF IS ESSENTIAL THAT ONLY MANUFACTURES SPECIFIED PARTS BE USED FOR THE CRITICAL COMPONENTS IN THE SYMBOL MARK OF THE SCHEMATIC.

**SECRET**  
LGElectronics



MODEL	BCM35230	DATE	
BLOCK	GCHB	SHEET	27 / 31

# < PANASONIC Demod.>



THE SYMBOL MARK OF THIS SCHEMATIC DIAGRAM INCORPORATES SPECIAL FEATURES IMPORTANT FOR PROTECTION FROM X-RADIATION. FILRE AND ELECTRICAL SHOCK HAZARDS, WHEN SERVICING IF IS ESSENTIAL THAT ONLY MANUFACTURES SPECIFIED PARTS BE USED FOR THE CRITICAL COMPONENTS IN THE SYMBOL MARK OF THE SCHEMATIC.

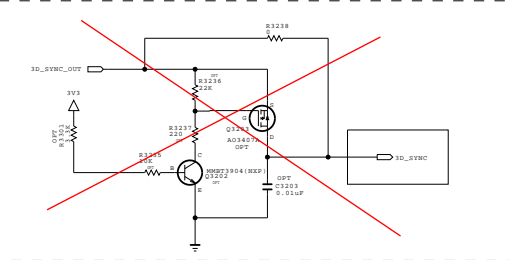
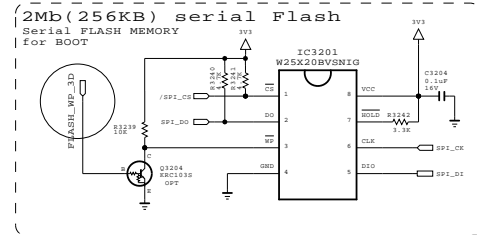
**SECRET**  
LGElectronics



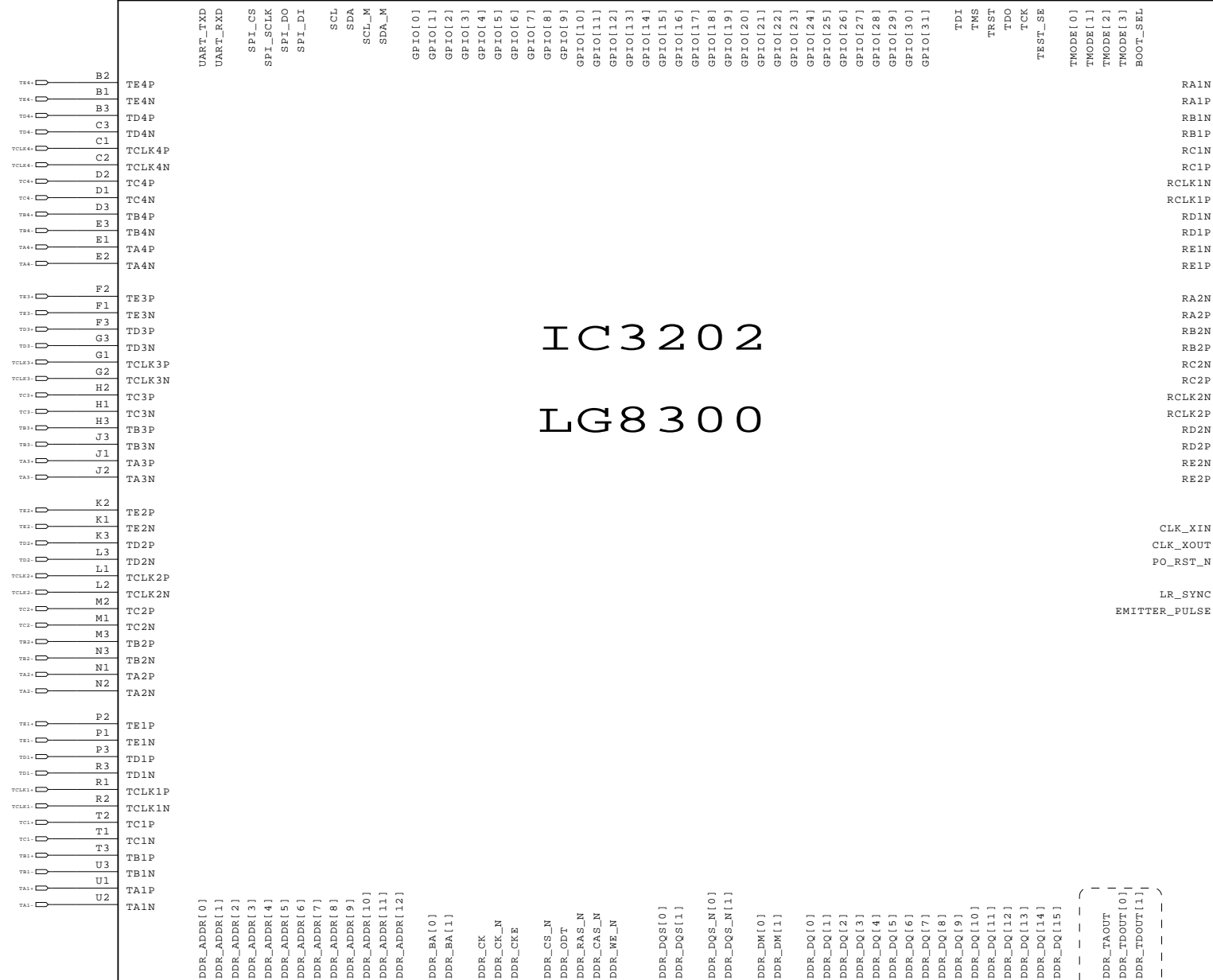
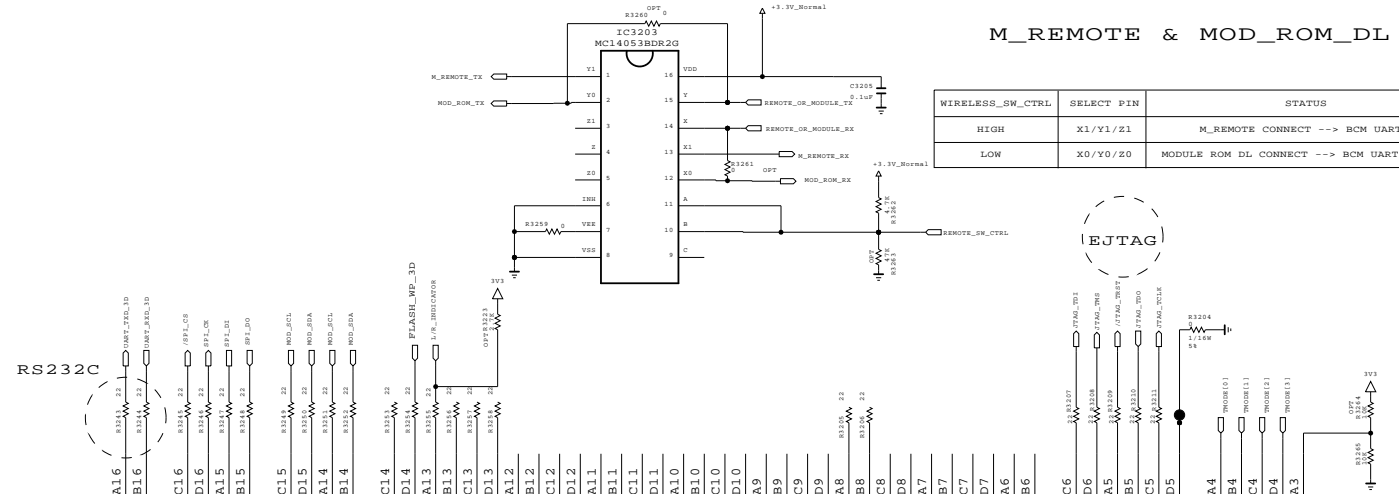
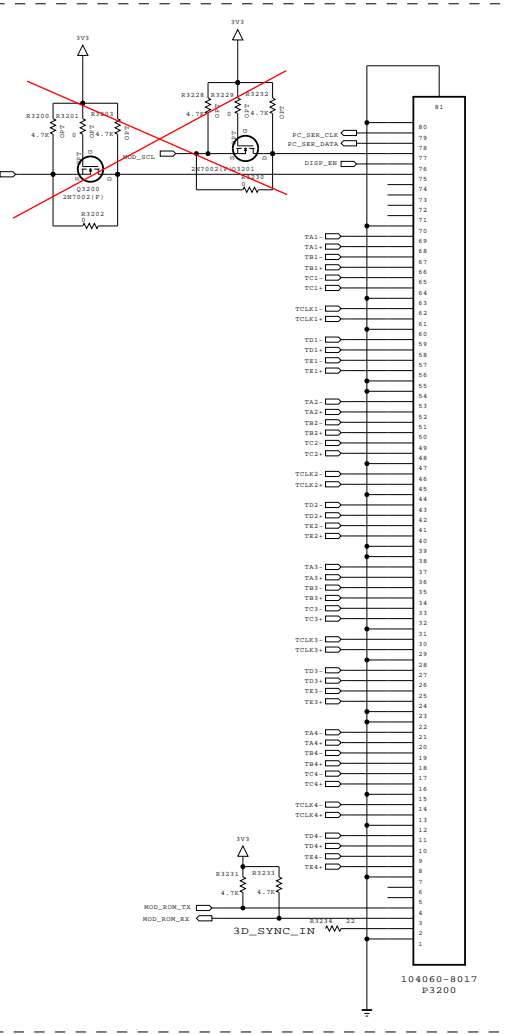
MODEL	BCM35230	DATE	
BLOCK	ATSC demod	SHEET	31 / 31

M\_REMOTE & MOD\_ROM\_DL

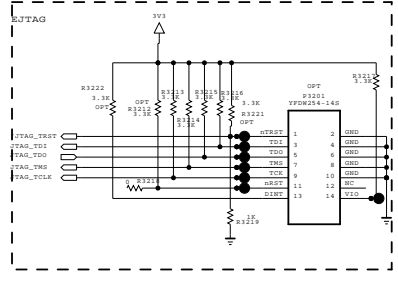
OPERATIONAL MODE	TMODE[1:0]
Normal Mode	0000
EEPROM Test Mode	0001
EEPROM Test Mode	0010
EEPROM Test Mode	0011
EEPROM Test Mode	0100
EEPROM Test Mode	0101
EEPROM Test Mode	0110
EEPROM Test Mode	0111
EEPROM Test Mode	1000
EEPROM Test Mode	1001
EEPROM Test Mode	1010
EEPROM Test Mode	1011
EEPROM Test Mode	1100
EEPROM Test Mode	1101
EEPROM Test Mode	1110
EEPROM Test Mode	1111



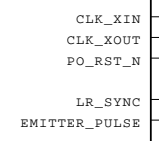
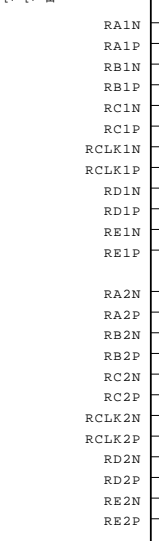
LVDS OUTPUT



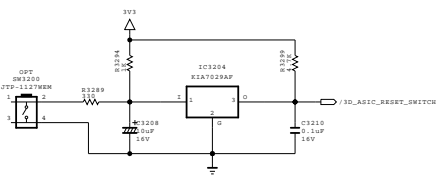
BOOT_SEL	BOOT MODE
High	WITHOUT SPI Flash ROM
Low	WITH SPI Flash ROM



IC3202  
LG8300



N.C.

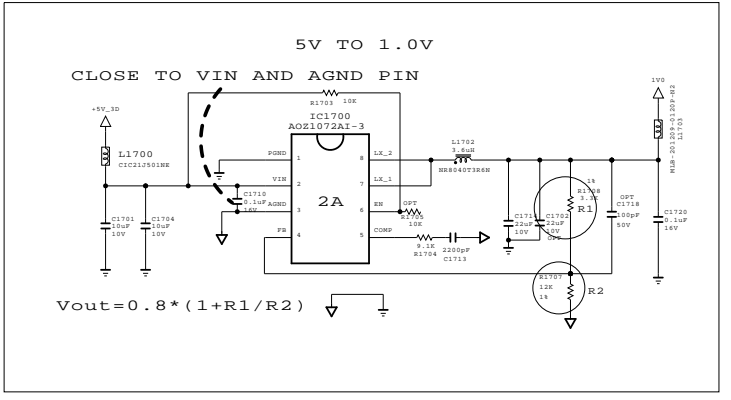
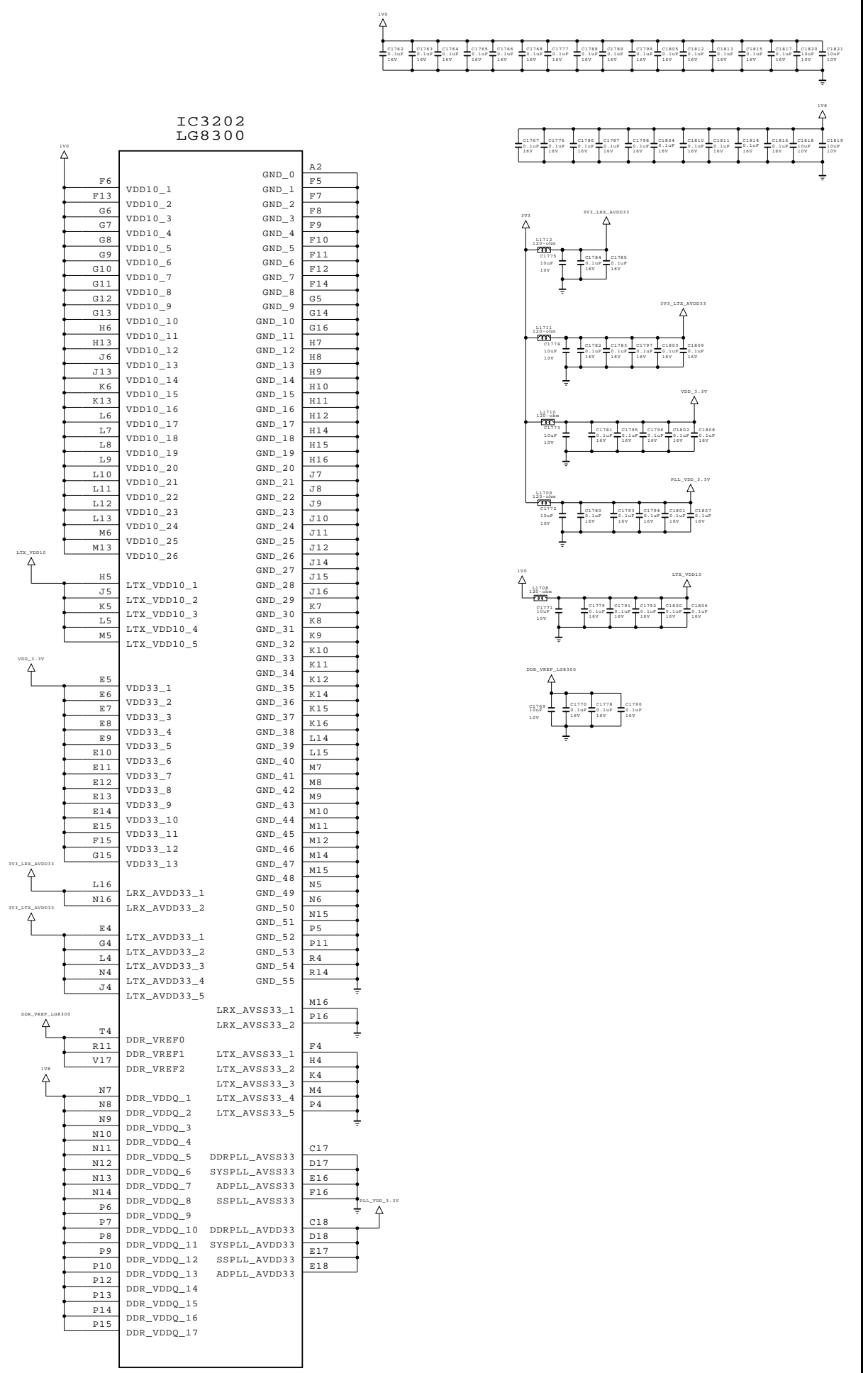
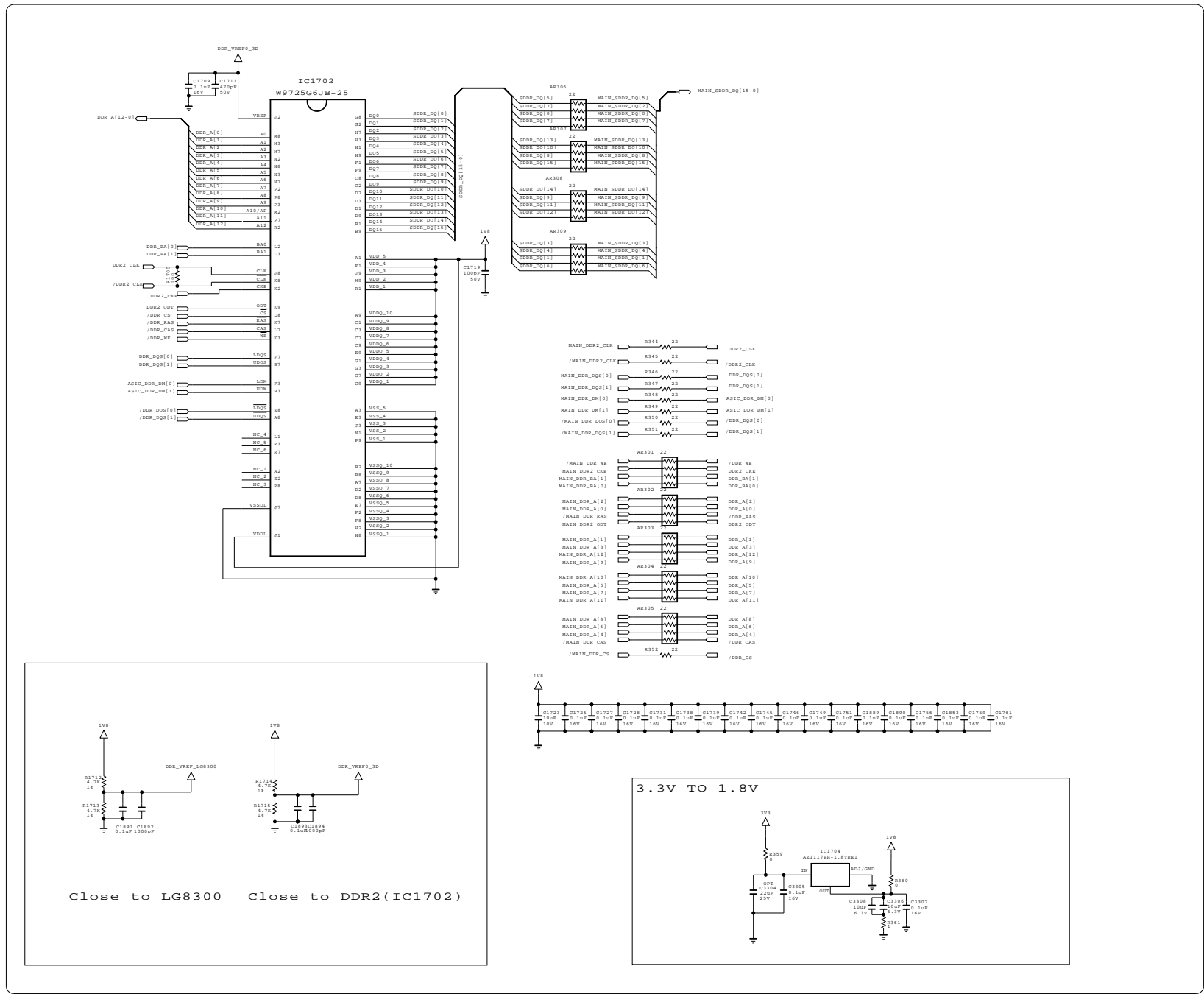


THE SYMBOL MARK OF THIS SCHEMATIC DIAGRAM INCORPORATES SPECIAL FEATURES IMPORTANT FOR PROTECTION FROM X-RADIATION. FILRE AND ELECTRICAL SHOCK HAZARDS, WHEN SERVICING IF IS ESSENTIAL THAT ONLY MANUFACTURERS SPECIFIED PARTS BE USED FOR THE CRITICAL COMPONENTS IN THE SYMBOL MARK OF THE SCHEMATIC.

SECRET  
LGElectronics

LG ELECTRONICS

MODEL	BCM35230	DATE	
BLOCK	3D_ASIC	SHEET	32 / 33



THE  $\Delta$  SYMBOL MARK OF THIS SCHEMATIC DIAGRAM INCORPORATES SPECIAL FEATURES IMPORTANT FOR PROTECTION FROM X-RADIATION. FILM AND ELECTRICAL SHOCK HAZARDS, WHEN SERVICING IF IS ESSENTIAL THAT ONLY MANUFACTURERS SPECIFIED PARTS BE USED FOR THE CRITICAL COMPONENTS IN THE  $\Delta$  SYMBOL MARK OF THE SCHEMATIC.

SECRET  
LGElectronics

LG ELECTRONICS

MODEL	DATE
BLOCK	SHEET