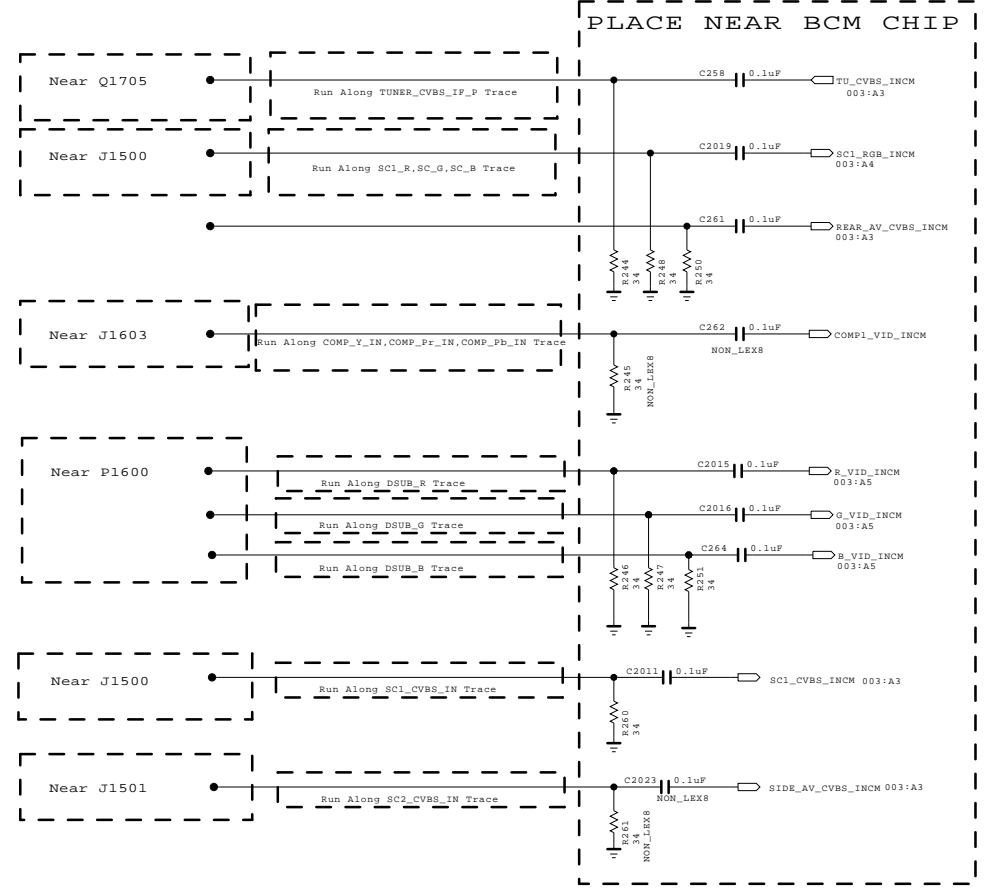
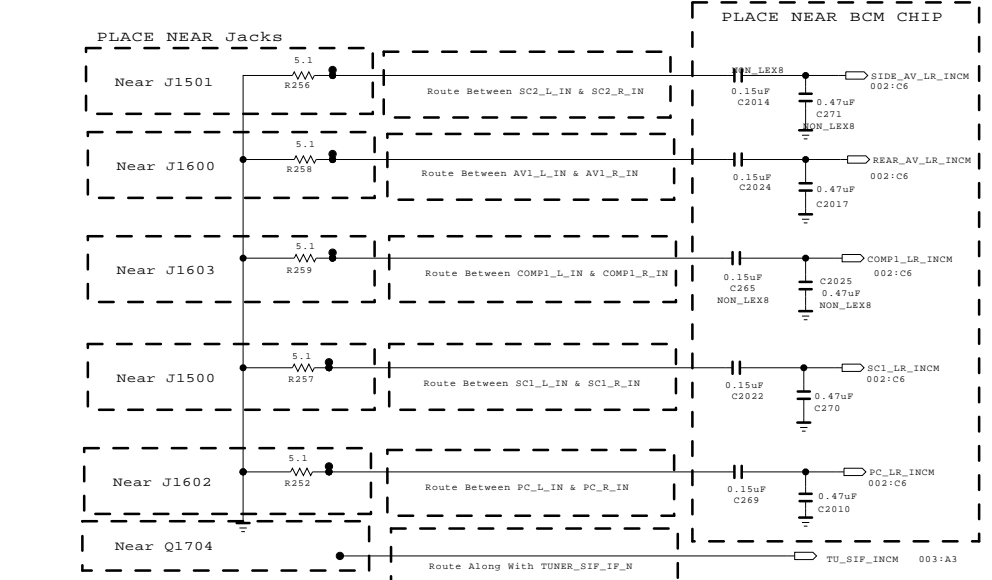


VIDEO INCM



AUDIO INCM



Route INCM between associated left and right signals of same channel. The INCM trace ends at the same point where the connector ground connects to the board ground (thru-hole connector pin). Place test points, resistors near audio connector. Connect the other side of the resistor to GND as close as possible to the ground connection of the associated audio connector.

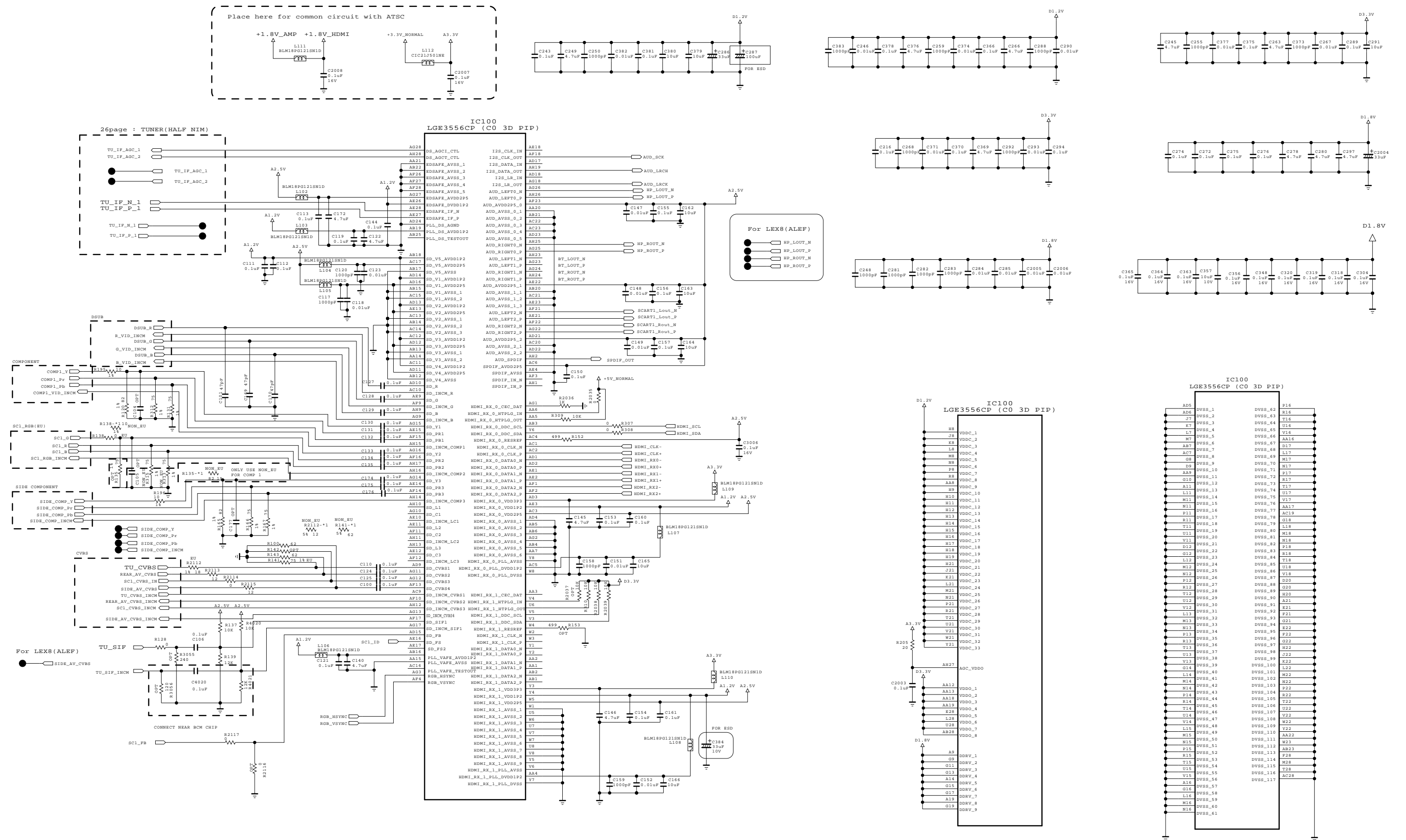
- For LEX8 (ALEF)
- COMPL_L_IN
 - COMPL_R_IN
 - SIDE_AV_L_IN
 - SIDE_AV_R_IN
 - COMPL_L_IN
 - COMPL_R_IN

THE Δ SYMBOL MARK OF THIS SCHEMATIC DIAGRAM INCORPORATES SPECIAL FEATURES IMPORTANT FOR PROTECTION FROM X-RADIATION. FILRE AND ELECTRICAL SHOCK HAZARDS, WHEN SERVICING IF IS ESSENTIAL THAT ONLY MANUFACTURES SPECIFIED PARTS BE USED FOR THE CRITICAL COMPONENTS IN THE Δ SYMBOL MARK OF THE SCHEMATIC.

SECRET
LGElectronics



MODEL	BCM (EUROBBTV)	DATE	2009.06.18
BLOCK	BCM3556 AUD_IN/LVDS	SHEET	2

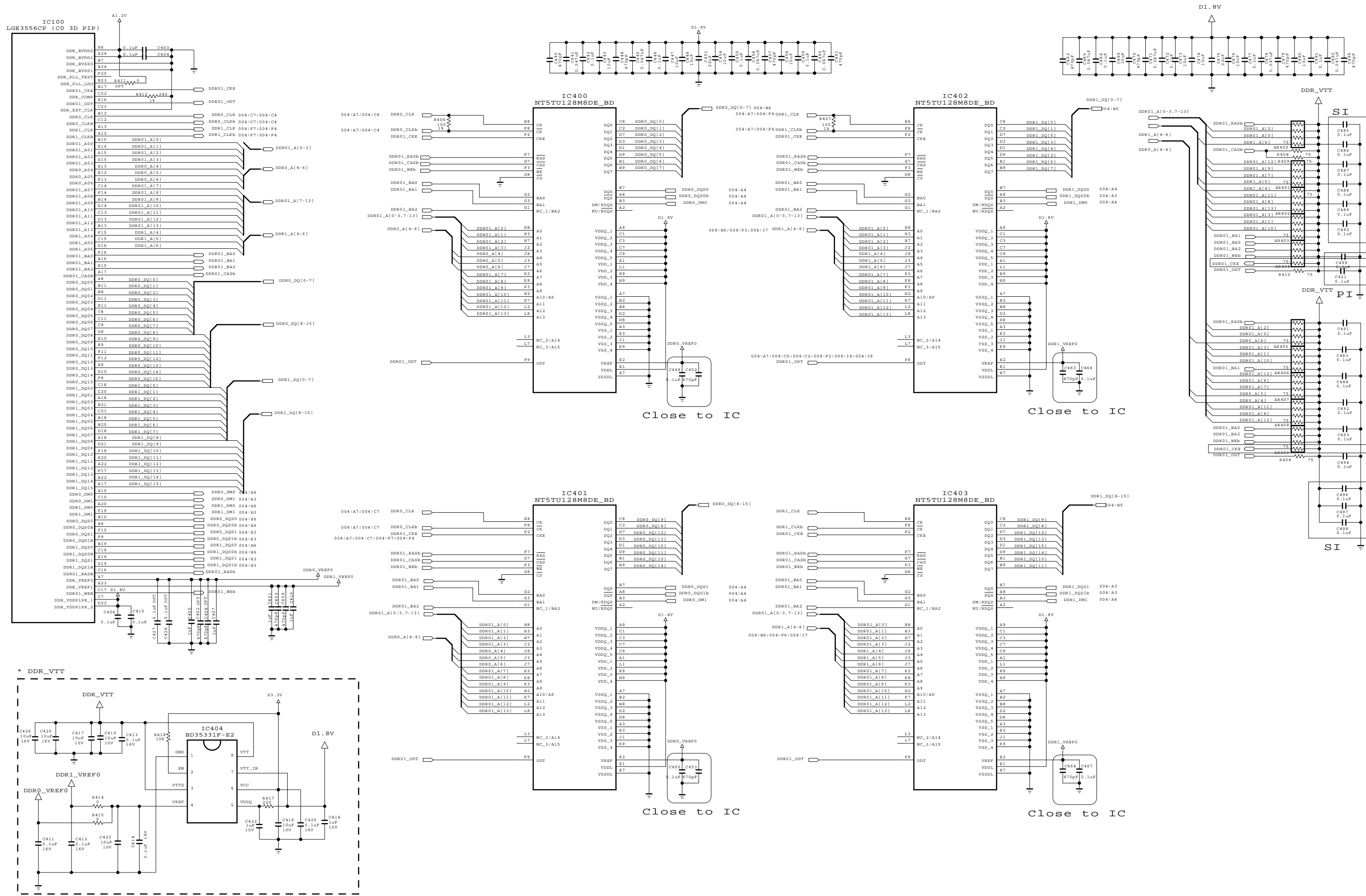


THE Δ SYMBOL MARK OF THIS SCHEMATIC DIAGRAM INCORPORATES SPECIAL FEATURES IMPORTANT FOR PROTECTION FROM X-RADIATION. FILRE AND ELECTRICAL SHOCK HAZARDS, WHEN SERVICING IF IS ESSENTIAL THAT ONLY MANUFACTURERS SPECIFIED PARTS BE USED FOR THE CRITICAL COMPONENTS IN THE Δ SYMBOL MARK OF THE SCHEMATIC.

SECRET
LGElectronics



MODEL	EUROBTV	DATE	2009.06.18
BLOCK	BCM3556 VIDEO IN	SHEET	3



THE Δ SYMBOL MARK OF THIS SCHEMATIC DIAGRAM INCORPORATES SPECIAL FEATURES IMPORTANT FOR PROTECTION FROM X-RADIATION. FILRE AND ELECTRICAL SHOCK HAZARDS, WHEN SERVICING IF IS ESSENTIAL THAT ONLY MANUFACTURERS SPECIFIED PARTS BE USED FOR THE CRITICAL COMPONENTS IN THE Δ SYMBOL MARK OF THE SCHEMATIC.

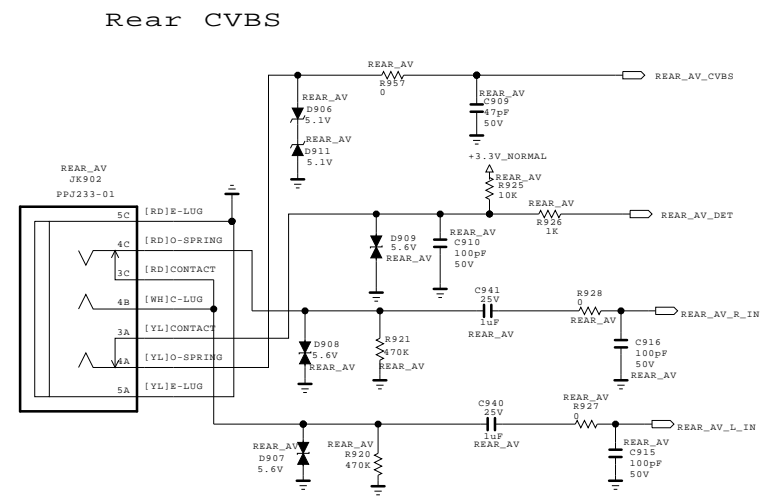
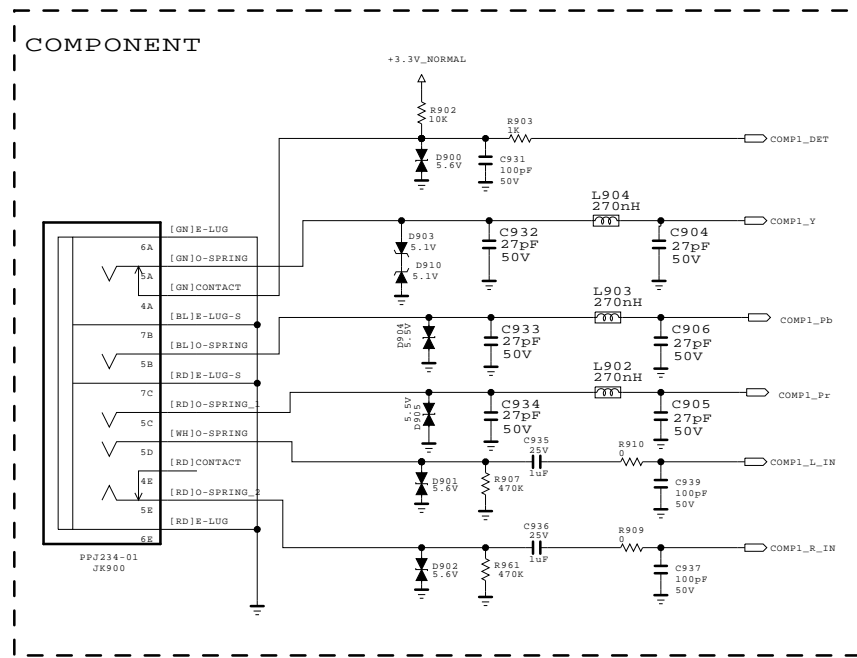
SECRET
LGElectronics

HONG YEON HYUK



MODEL	BCM (EUROBBTV)	DATE	2009.06.18
BLOCK	DDR Memory	SHEET	4

EARPHONE BLOCK - spec out



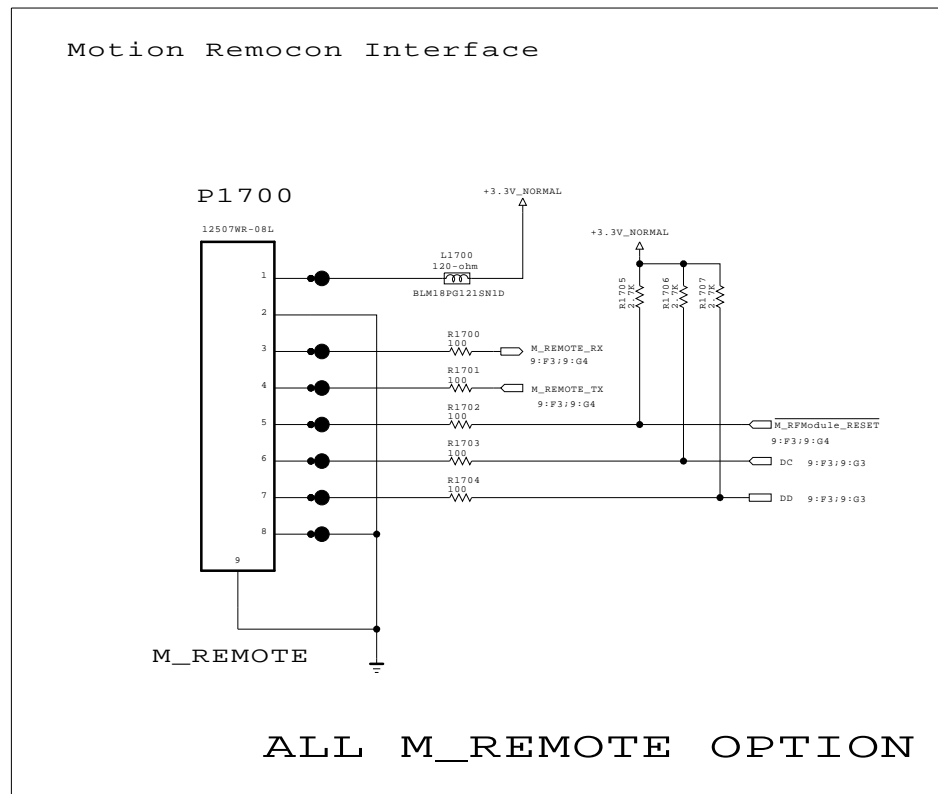
THE SYMBOL MARK OF THIS SCHEMATIC DIAGRAM INCORPORATES SPECIAL FEATURES IMPORTANT FOR PROTECTION FROM X-RADIATION. FILRE AND ELECTRICAL SHOCK HAZARDS, WHEN SERVICING IF IS ESSENTIAL THAT ONLY MANUFACTURES SPECIFIED PARTS BE USED FOR THE CRITICAL COMPONENTS IN THE SYMBOL MARK OF THE SCHEMATIC.

SECRET
LGElectronics

LG ELECTRONICS

MODEL	EUROBBTV	DATE	2009.06.18
BLOCK	ETC SUB BOARD I/F	SHEET	9 /

Motion Remote controller



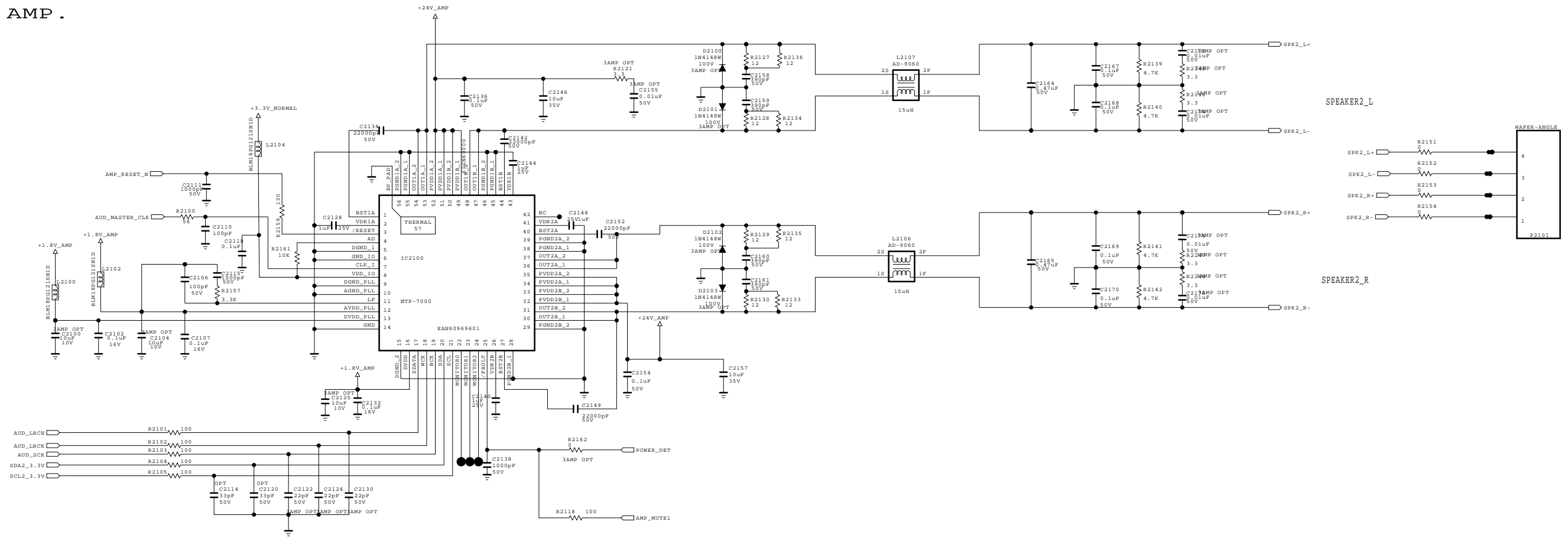
THE SYMBOL MARK OF THIS SCHEMATIC DIAGRAM INCORPORATES SPECIAL FEATURES IMPORTANT FOR PROTECTION FROM X-RADIATION. FILRE AND ELECTRICAL SHOCK HAZARDS, WHEN SERVICING IF IS ESSENTIAL THAT ONLY MANUFACTURES SPECIFIED PARTS BE USED FOR THE CRITICAL COMPONENTS IN THE SYMBOL MARK OF THE SCHEMATIC.

SECRET
LGElectronics

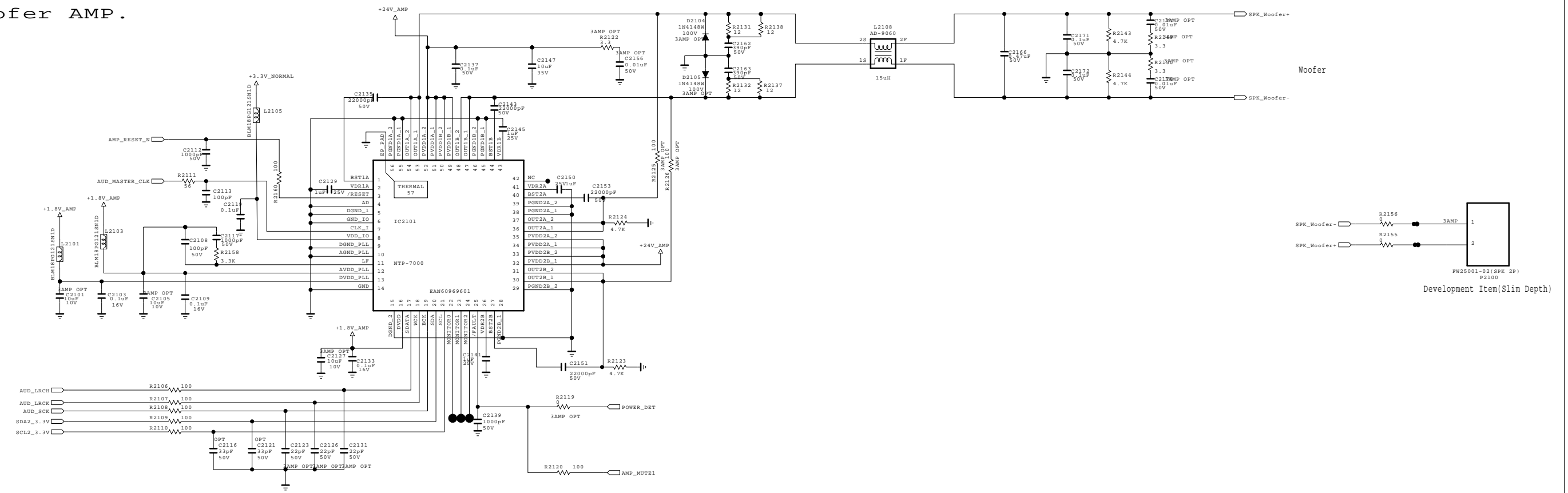
LG ELECTRONICS

MODEL	GP2_BCM_ATSC	DATE	09/10/xx
BLOCK	MOTION_REMOCO	SHEET	20 / 100

Sub AMP.



Woofers AMP.



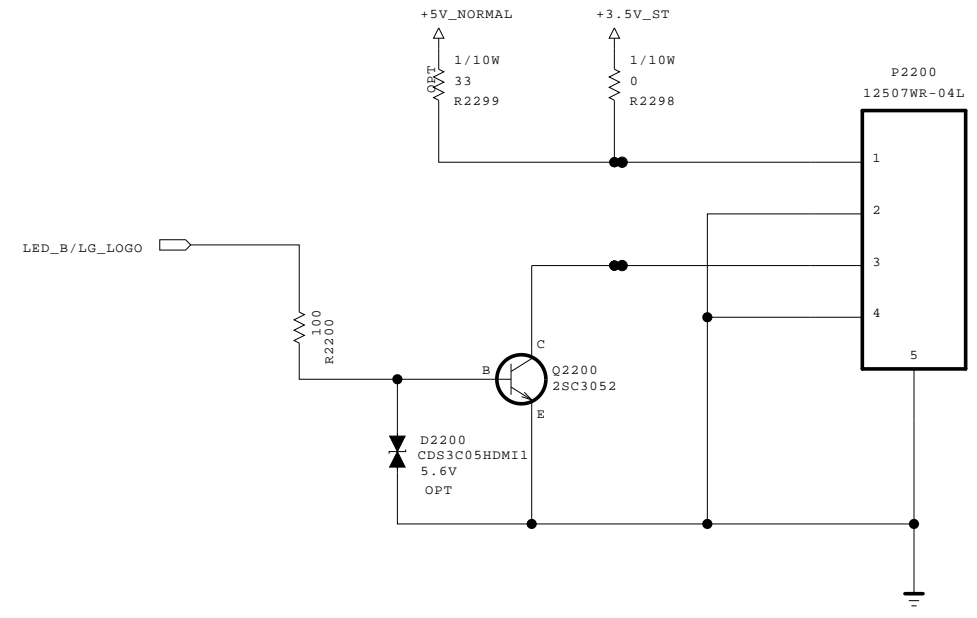
THE Δ SYMBOL MARK OF THIS SCHEMATIC DIAGRAM INCORPORATES SPECIAL FEATURES IMPORTANT FOR PROTECTION FROM X-RADIATION. FILRE AND ELECTRICAL SHOCK HAZARDS, WHEN SERVICING IF IS ESSENTIAL THAT ONLY MANUFACTURES SPECIFIED PARTS BE USED FOR THE CRITICAL COMPONENTS IN THE Δ SYMBOL MARK OF THE SCHEMATIC.

SECRET
LGElectronics



MODEL	GP2_BCM_ATSC	DATE	09.10
BLOCK	AMP_SUB_NTP	SHEET	21 / 100

LG LOGO FOR LE9500

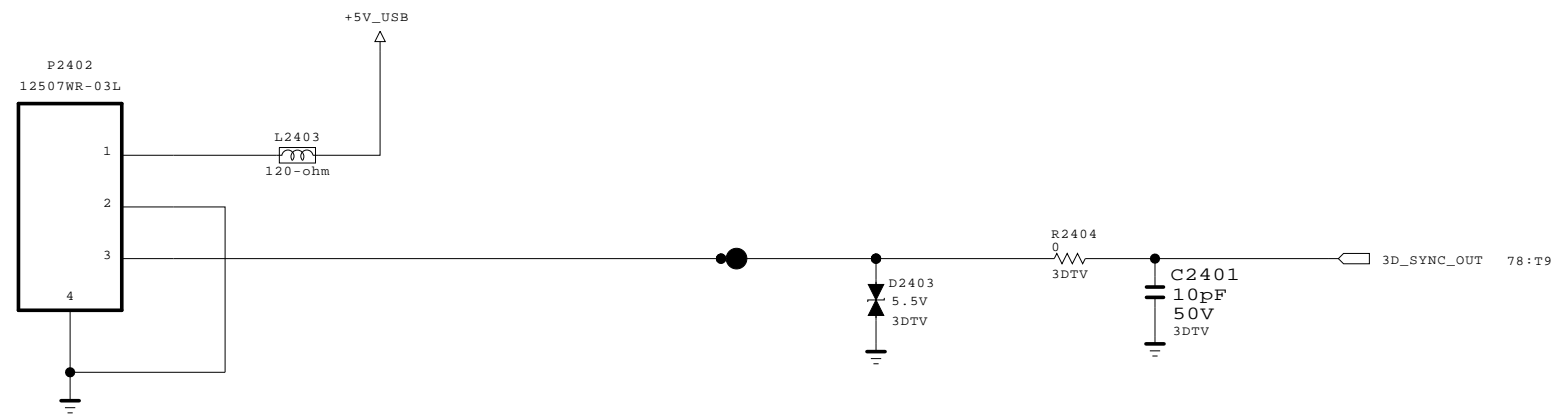


THE ⚠ SYMBOL MARK OF THIS SCHEMATIC DIAGRAM INCORPORATES SPECIAL FEATURES IMPORTANT FOR PROTECTION FROM X-RADIATION. FILRE AND ELECTRICAL SHOCK HAZARDS, WHEN SERVICING IF IS ESSENTIAL THAT ONLY MANUFACTURES SPECIFIED PARTS BE USED FOR THE CRITICAL COMPONENTS IN THE ⚠ SYMBOL MARK OF THE SCHEMATIC.

SECRET	 LG ELECTRONICS
LGElectronics	

MODEL	GP2_BCM_ATSC	DATE	09/10/xx
BLOCK	LG_LOGO_LE9500	SHEET	22 / 100

SIDE IR Emitter sync USB JACK



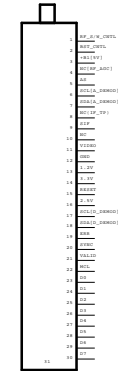
THE ⚠ SYMBOL MARK OF THIS SCHEMATIC DIAGRAM INCORPORATES SPECIAL FEATURES IMPORTANT FOR PROTECTION FROM X-RADIATION. FILRE AND ELECTRICAL SHOCK HAZARDS, WHEN SERVICING IF IS ESSENTIAL THAT ONLY MANUFACTURES SPECIFIED PARTS BE USED FOR THE CRITICAL COMPONENTS IN THE ⚠ SYMBOL MARK OF THE SCHEMATIC.

SECRET	 LG ELECTRONICS
LGElectronics	

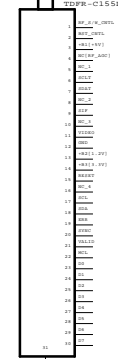
MODEL	GP2_BCM_ATSC	DATE	09/11/18
BLOCK	3D_IR_GENDER	SHEET	24 / 100

CAN H-NIM/NIM TUNER for EU

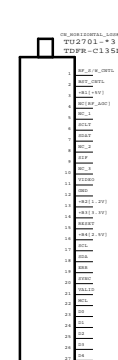
TU2701-1
TDFR-G155D



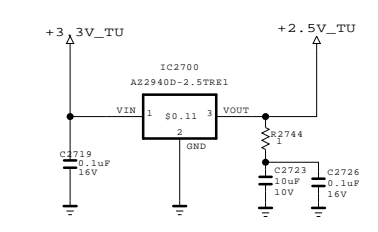
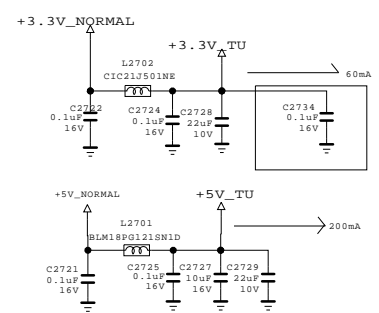
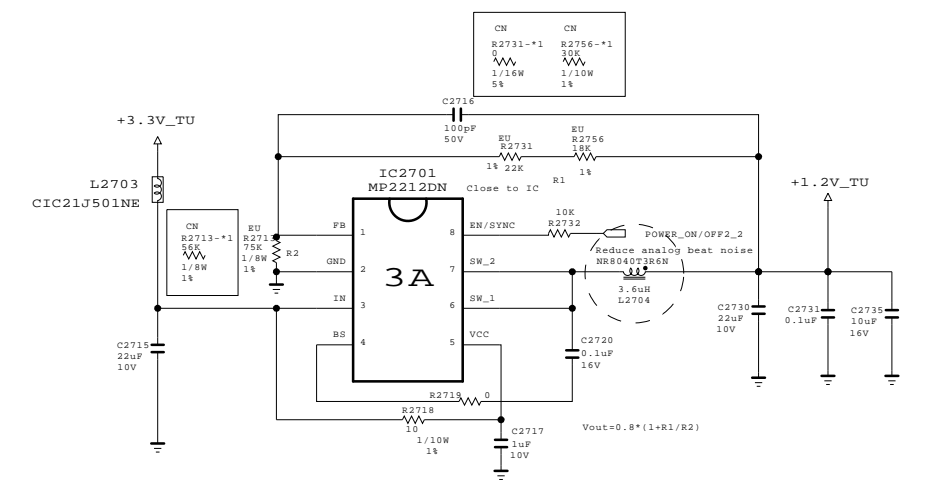
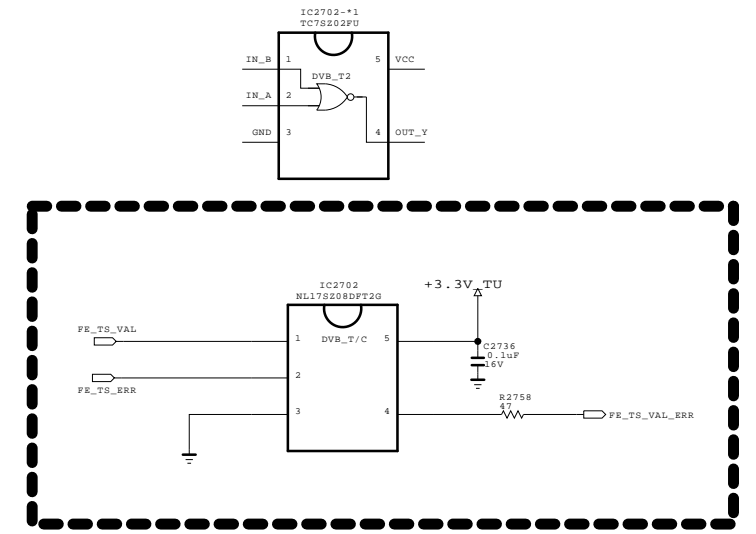
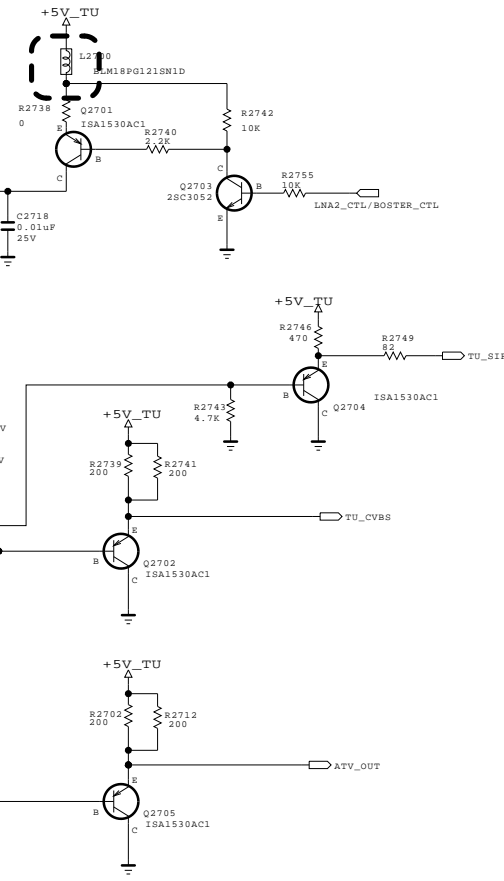
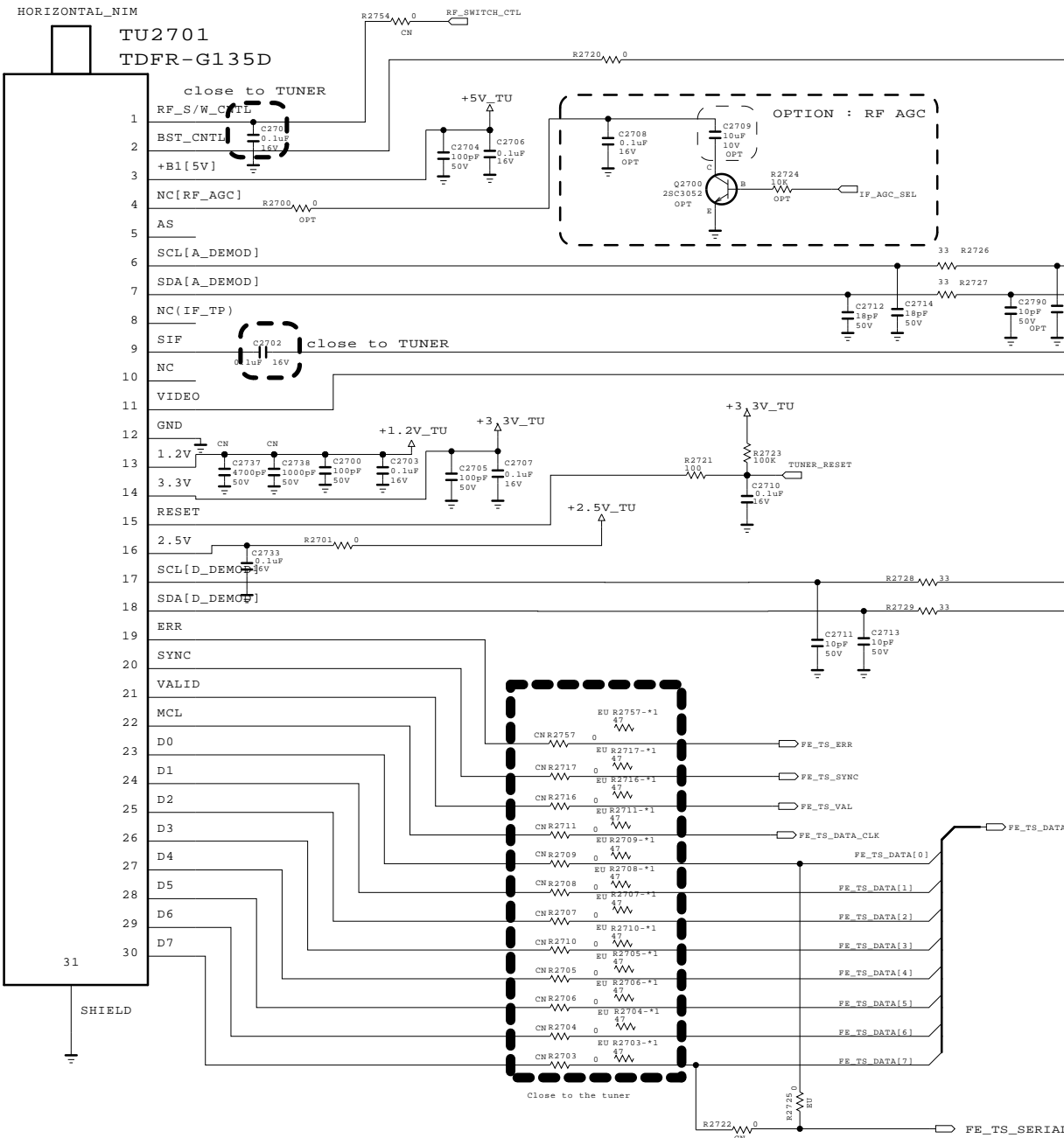
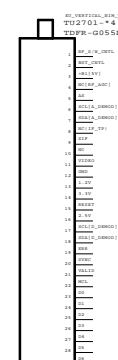
TU2701-2
TDFR-G155D



TU2701-3
TDFR-G155D



TU2701-4
TDFR-G055D



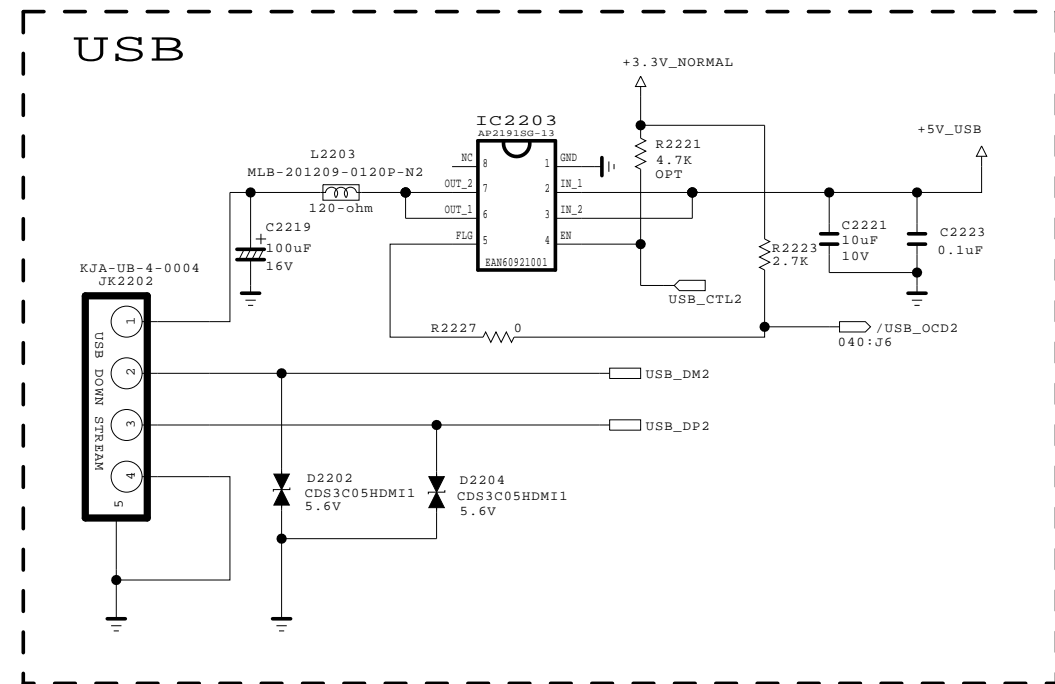
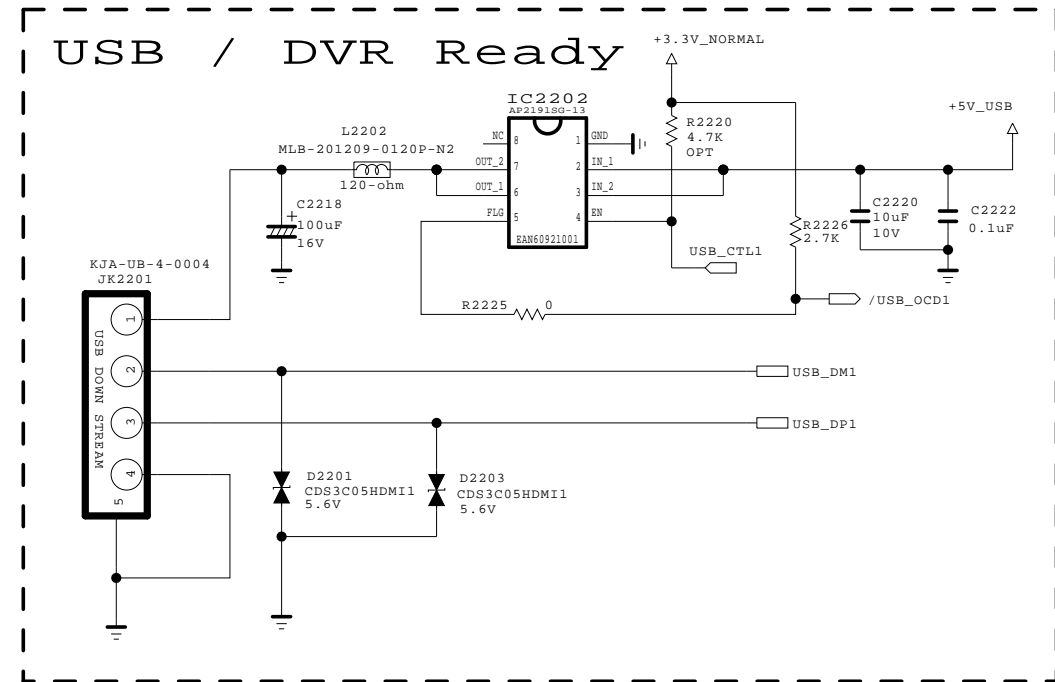
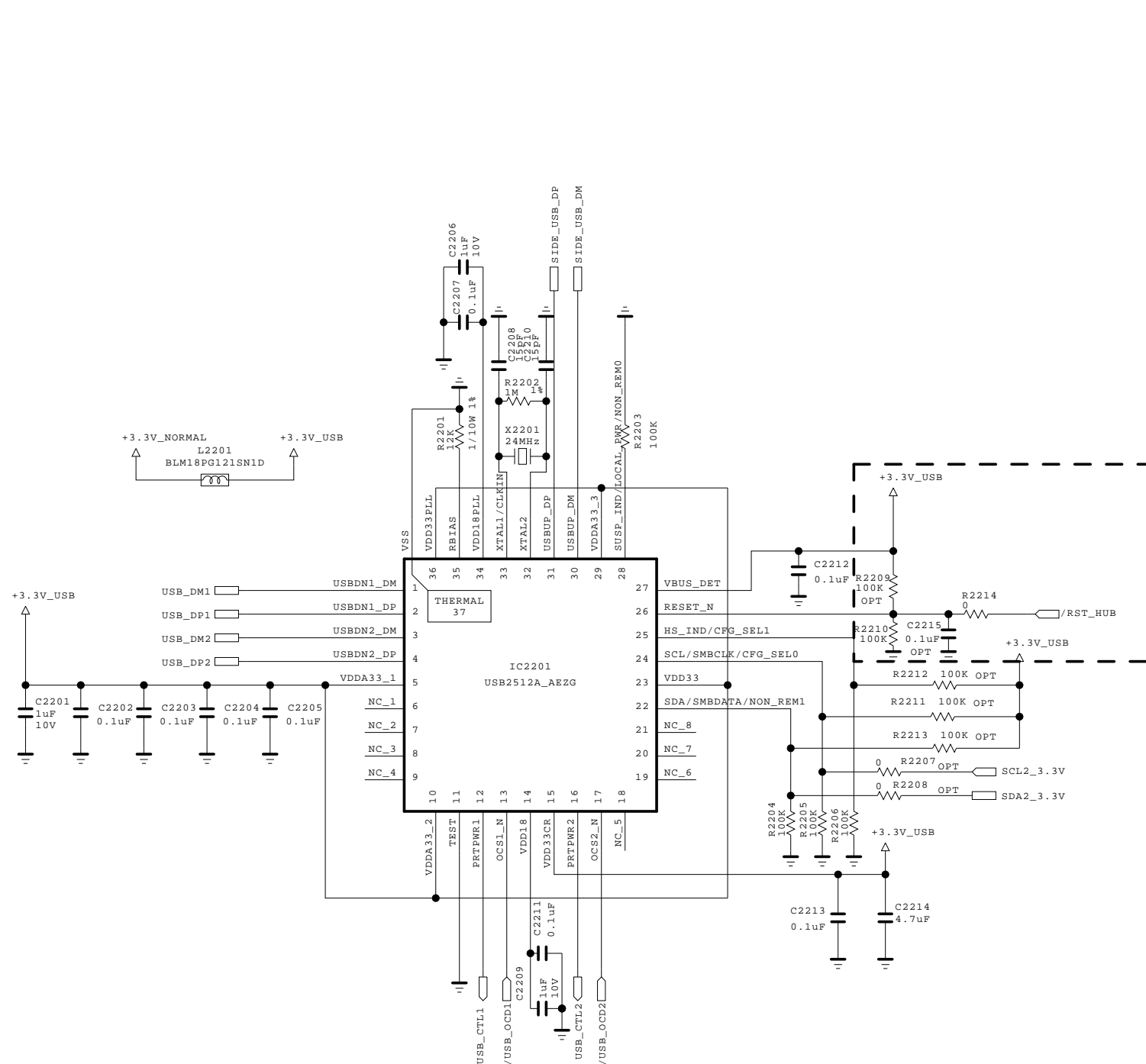
THE Δ SYMBOL MARK OF THIS SCHEMATIC DIAGRAM INCORPORATES SPECIAL FEATURES IMPORTANT FOR PROTECTION FROM X-RADIATION. FILRE AND ELECTRICAL SHOCK HAZARDS, WHEN SERVICING IF IS ESSENTIAL THAT ONLY MANUFACTURERS SPECIFIED PARTS BE USED FOR THE CRITICAL COMPONENTS IN THE Δ SYMBOL MARK OF THE SCHEMATIC.

SECRET
LGElectronics

LG ELECTRONICS

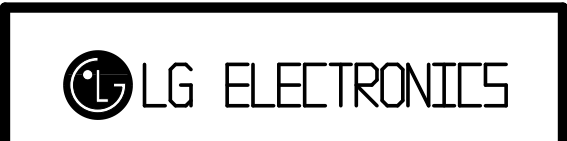
MODEL		DATE	
BLOCK		SHEET	27

USB2 OPTION

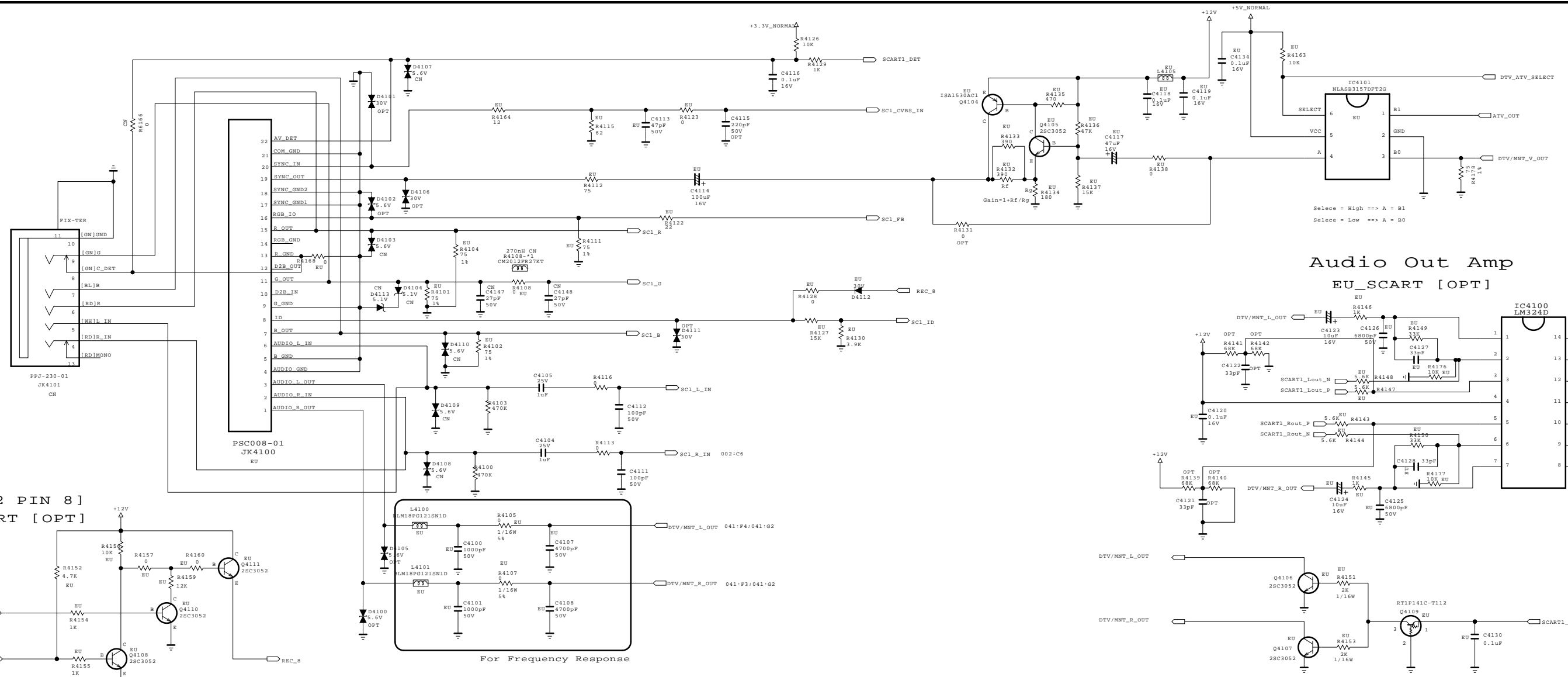


THE SYMBOL MARK OF THIS SCHEMATIC DIAGRAM INCORPORATES SPECIAL FEATURES IMPORTANT FOR PROTECTION FROM X-RADIATION. FILRE AND ELECTRICAL SHOCK HAZARDS, WHEN SERVICING IF IS ESSENTIAL THAT ONLY MANUFACTURES SPECIFIED PARTS BE USED FOR THE CRITICAL COMPONENTS IN THE SYMBOL MARK OF THE SCHEMATIC.

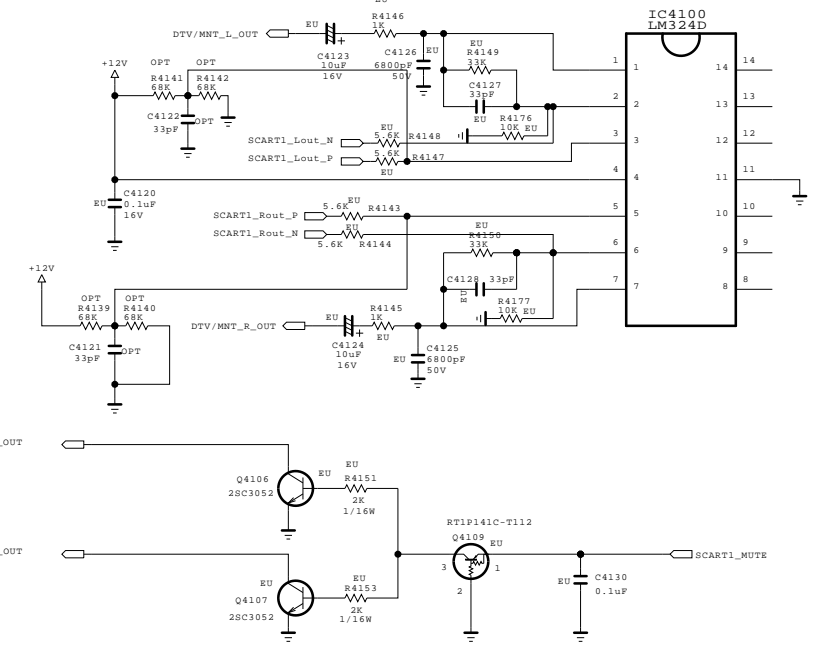
SECRET
LGElectronics



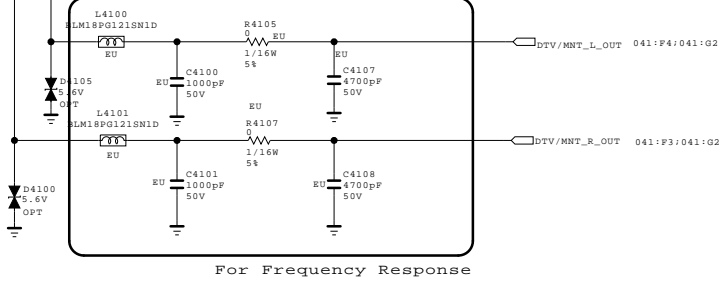
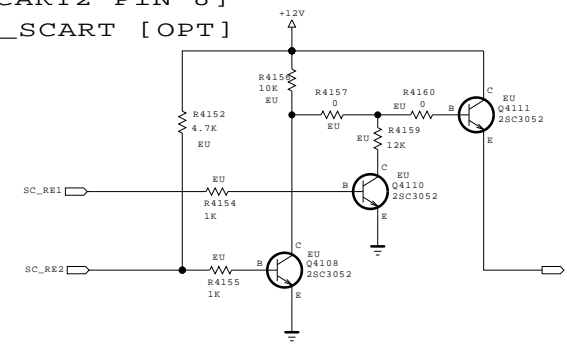
MODEL		DATE	
BLOCK		SHEET	40 /



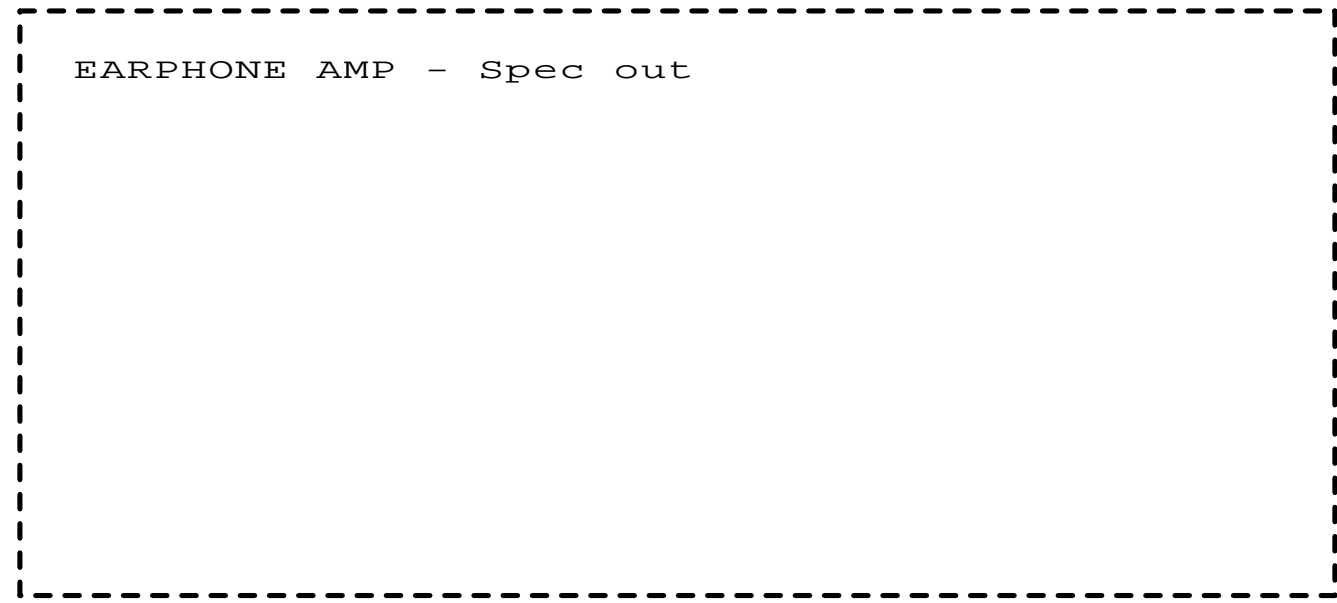
**Audio Out Amp
EU_SCART [OPT]**



**[SCART2 PIN 8]
EU_SCART [OPT]**



EARPHONE BLOCK

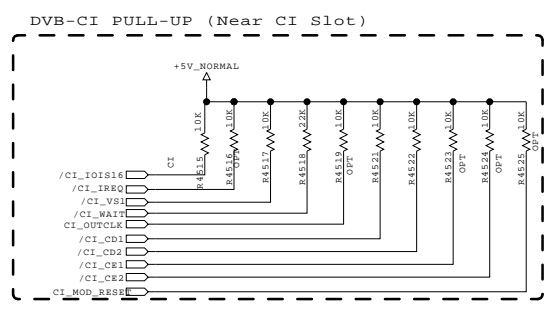
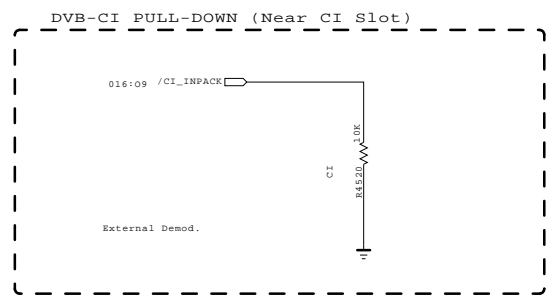
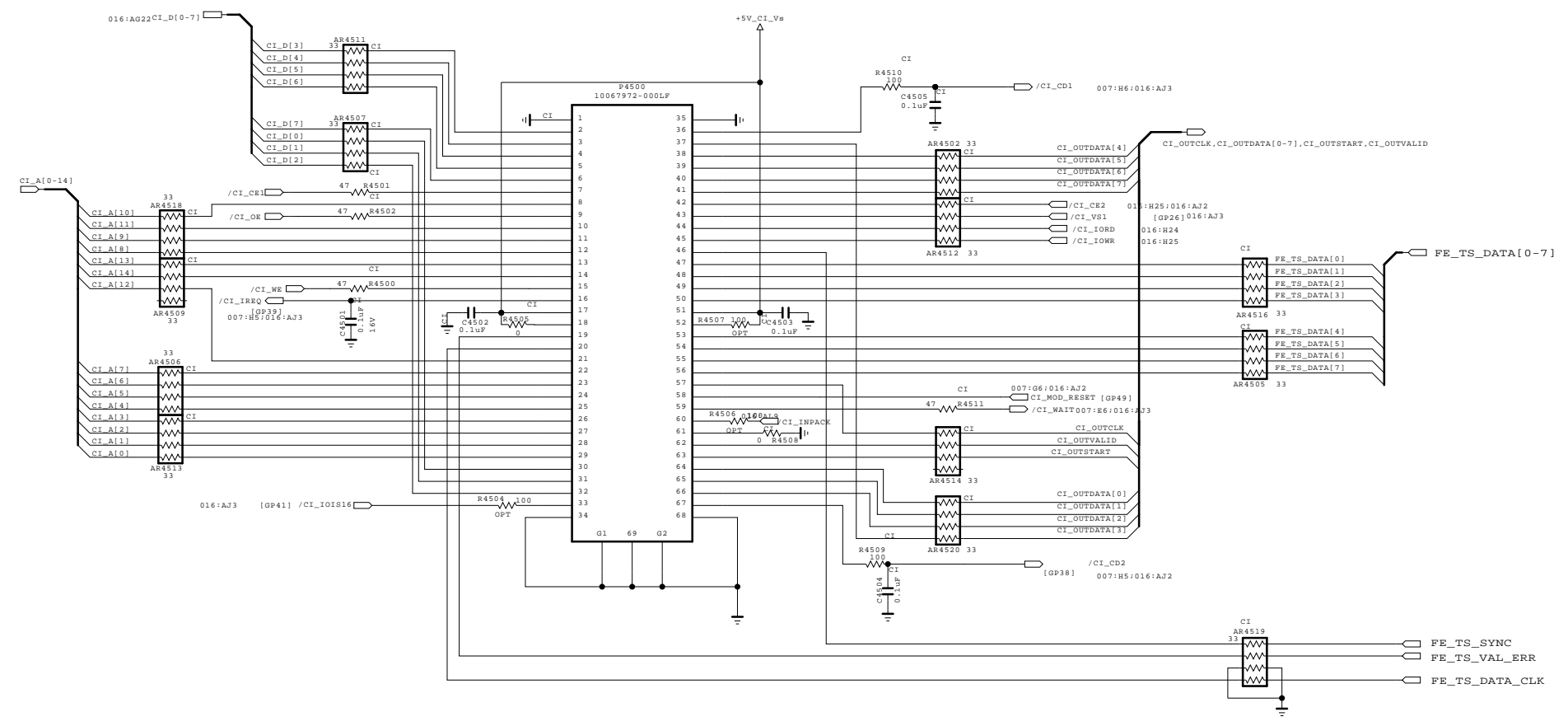
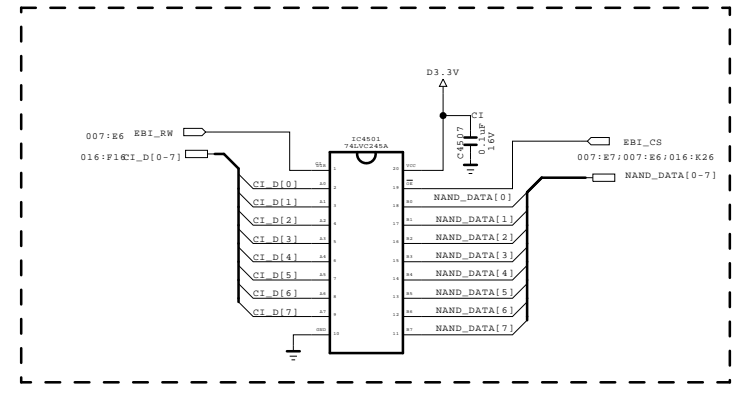
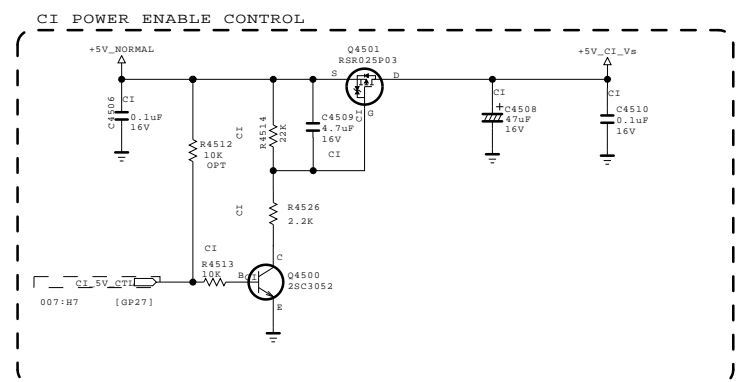
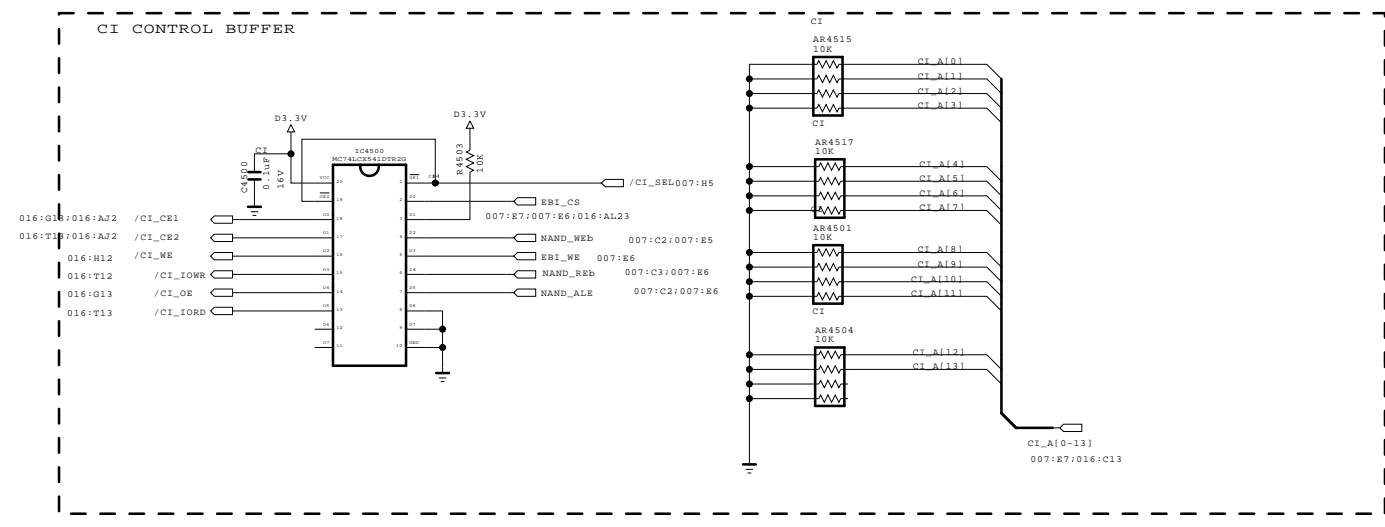


THE Δ SYMBOL MARK OF THIS SCHEMATIC DIAGRAM INCORPORATES SPECIAL FEATURES IMPORTANT FOR PROTECTION FROM X-RADIATION. FILRE AND ELECTRICAL SHOCK HAZARDS, WHEN SERVICING IF IS ESSENTIAL THAT ONLY MANUFACTURES SPECIFIED PARTS BE USED FOR THE CRITICAL COMPONENTS IN THE Δ SYMBOL MARK OF THE SCHEMATIC.

SECRET
LGElectronics



MODEL	EUROBBTV	DATE	2009.06.18
BLOCK	ETC SUB BOARD I/F	SHEET	41 /

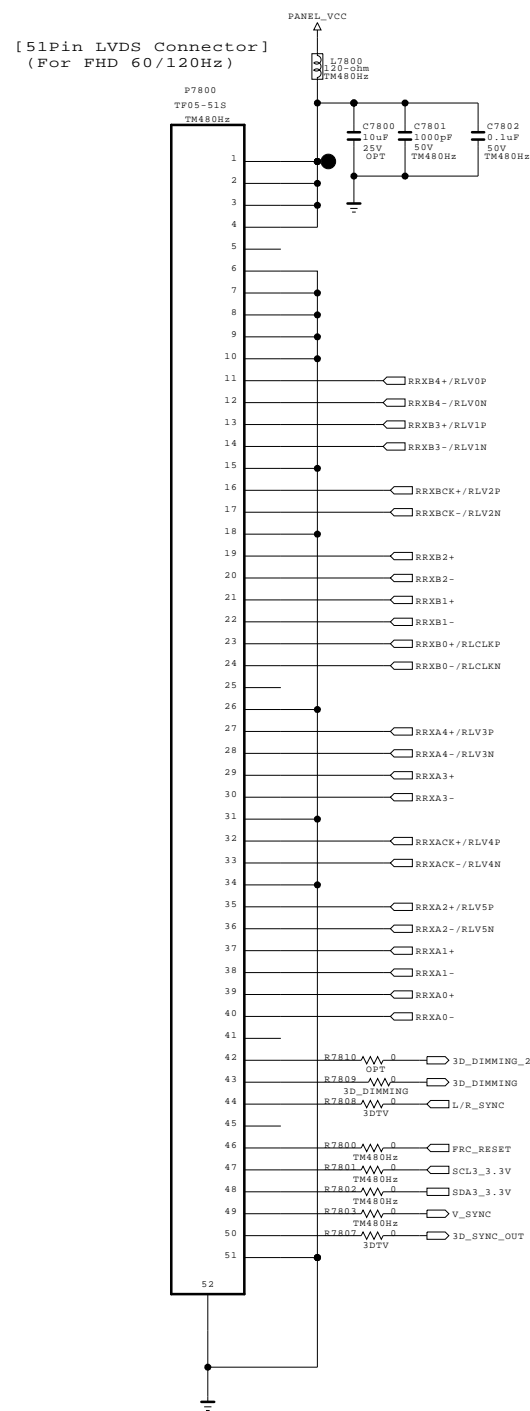


THE Δ SYMBOL MARK OF THIS SCHEMATIC DIAGRAM INCORPORATES SPECIAL FEATURES IMPORTANT FOR PROTECTION FROM X-RADIATION. FILRE AND ELECTRICAL SHOCK HAZARDS, WHEN SERVICING IF IS ESSENTIAL THAT ONLY MANUFACTURES SPECIFIED PARTS BE USED FOR THE CRITICAL COMPONENTS IN THE Δ SYMBOL MARK OF THE SCHEMATIC.

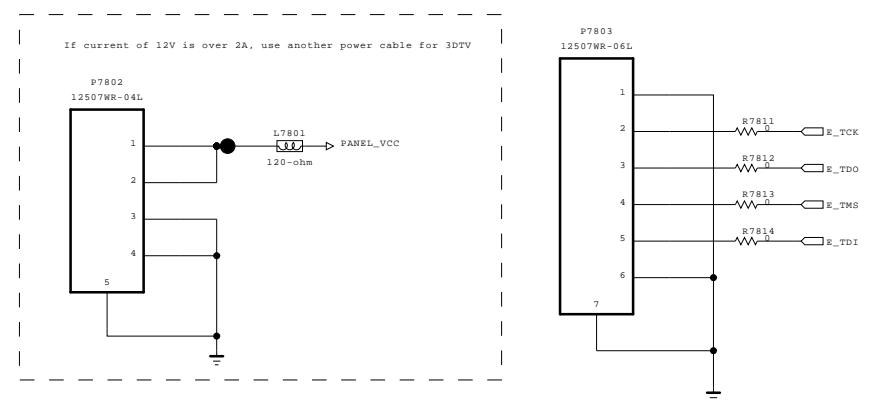
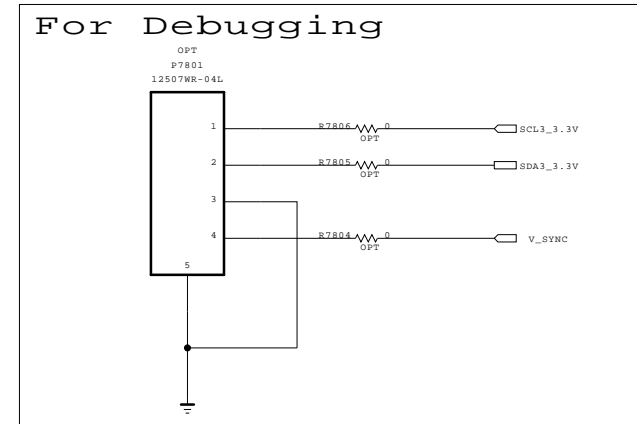
SECRET
LGElectronics



MODEL	EUROBBTV	DATE	2009.06.18
BLOCK	CI	SHEET	45 /



I2C_#3 Check (LG5111, LG1120, etc)
For Debugging



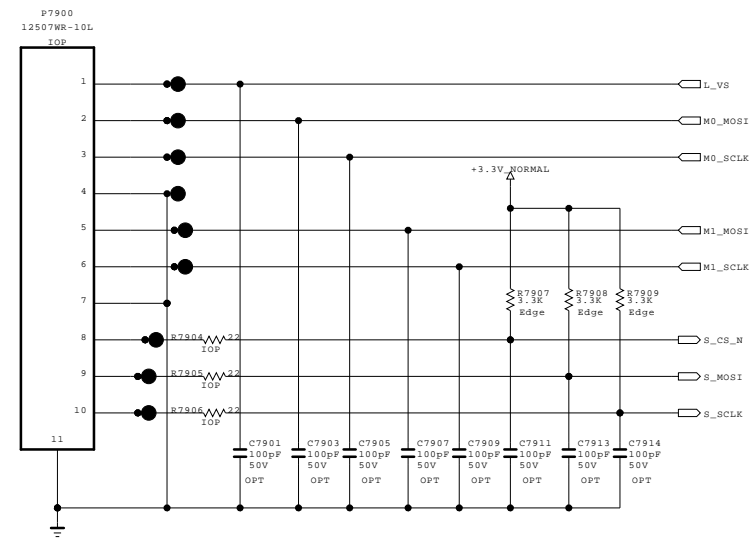
THE SYMBOL MARK OF THIS SCHEMATIC DIAGRAM INCORPORATES SPECIAL FEATURES IMPORTANT FOR PROTECTION FROM X-RADIATION. FILRE AND ELECTRICAL SHOCK HAZARDS, WHEN SERVICING IF IS ESSENTIAL THAT ONLY MANUFACTURES SPECIFIED PARTS BE USED FOR THE CRITICAL COMPONENTS IN THE SYMBOL MARK OF THE SCHEMATIC.

SECRET
LGElectronics

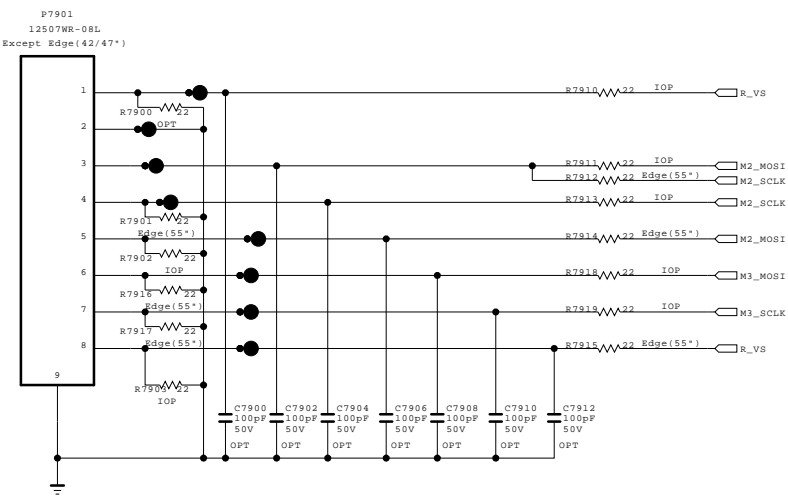
LG ELECTRONICS

MODEL	COMMON	DATE	09/10/xx
BLOCK	LG5111 60Hz LVDS	SHEET	78 / 100

[To MASTER LED DRIVER]



[To SLAVE LED DRIVER]



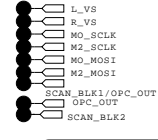
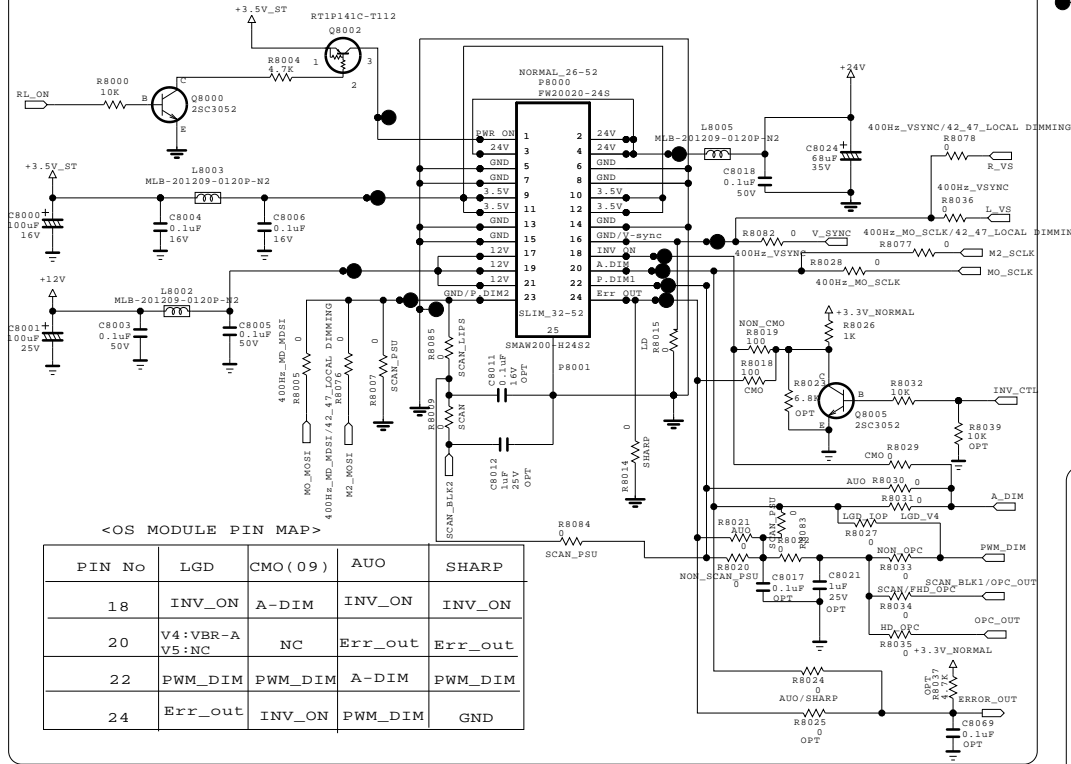
THE SYMBOL MARK OF THIS SCHEMATIC DIAGRAM INCORPORATES SPECIAL FEATURES IMPORTANT FOR PROTECTION FROM X-RADIATION. FILRE AND ELECTRICAL SHOCK HAZARDS, WHEN SERVICING IF IS ESSENTIAL THAT ONLY MANUFACTURES SPECIFIED PARTS BE USED FOR THE CRITICAL COMPONENTS IN THE SYMBOL MARK OF THE SCHEMATIC.

SECRET
LGElectronics

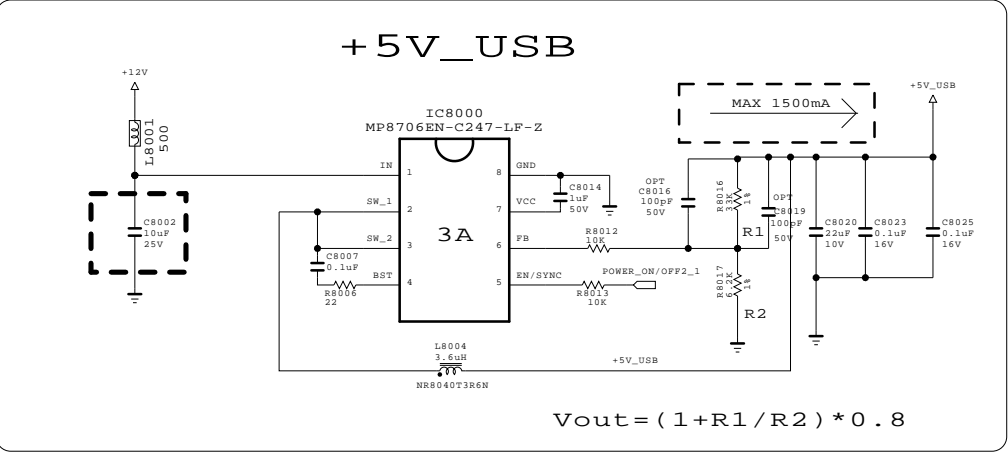
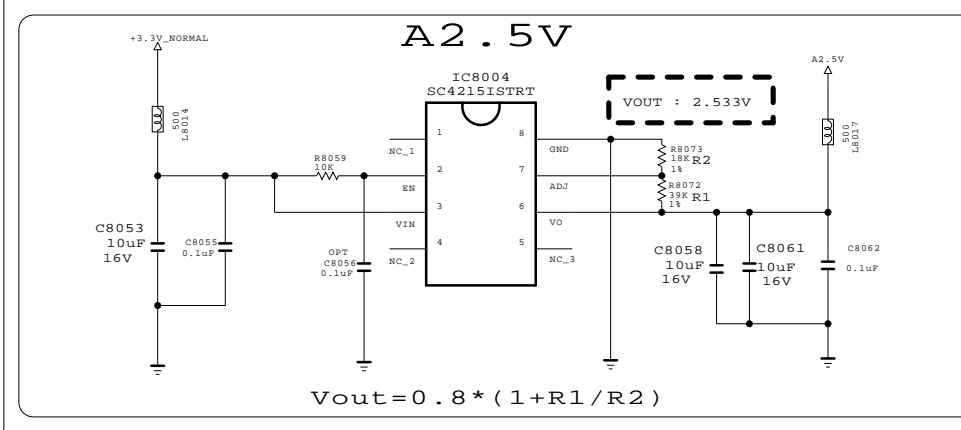
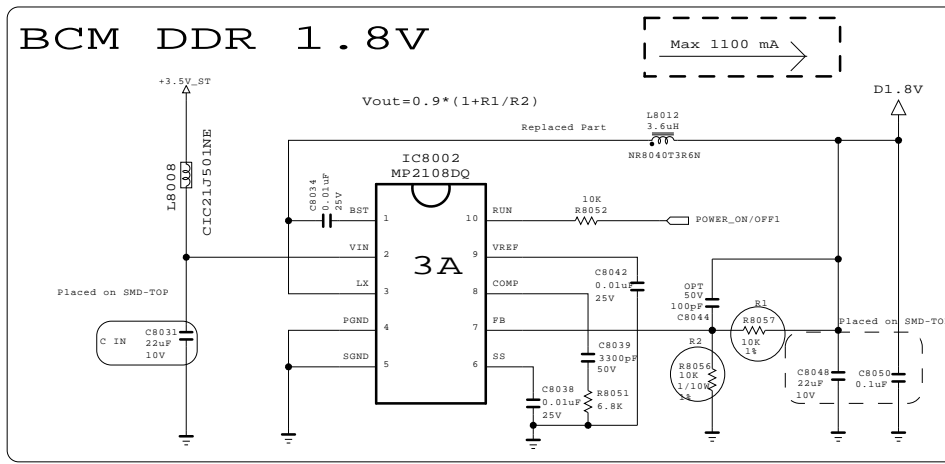
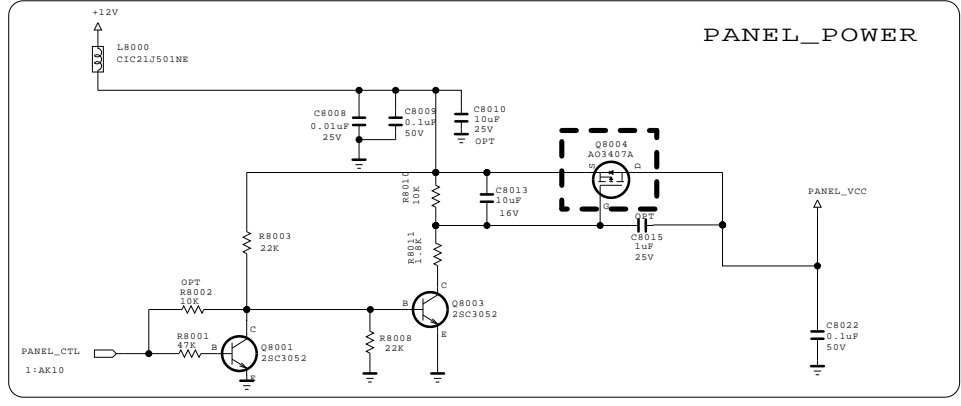
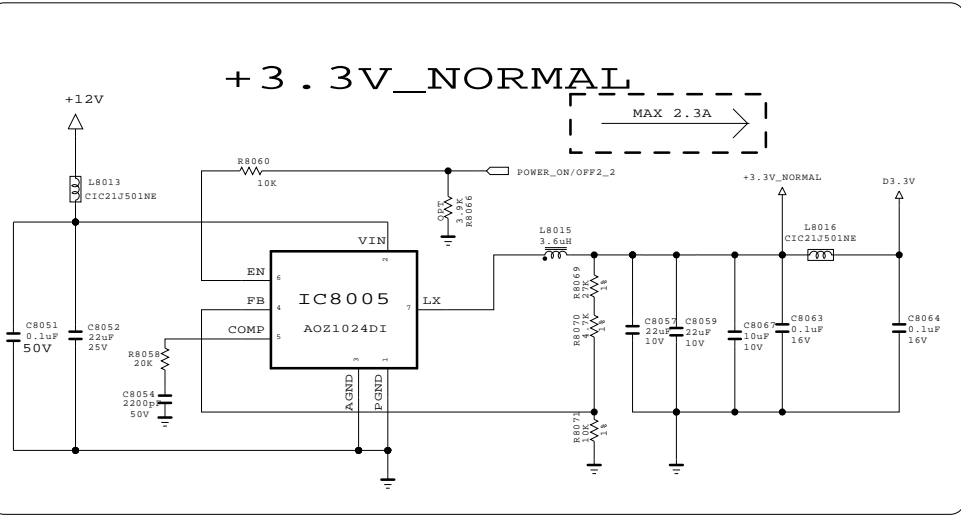
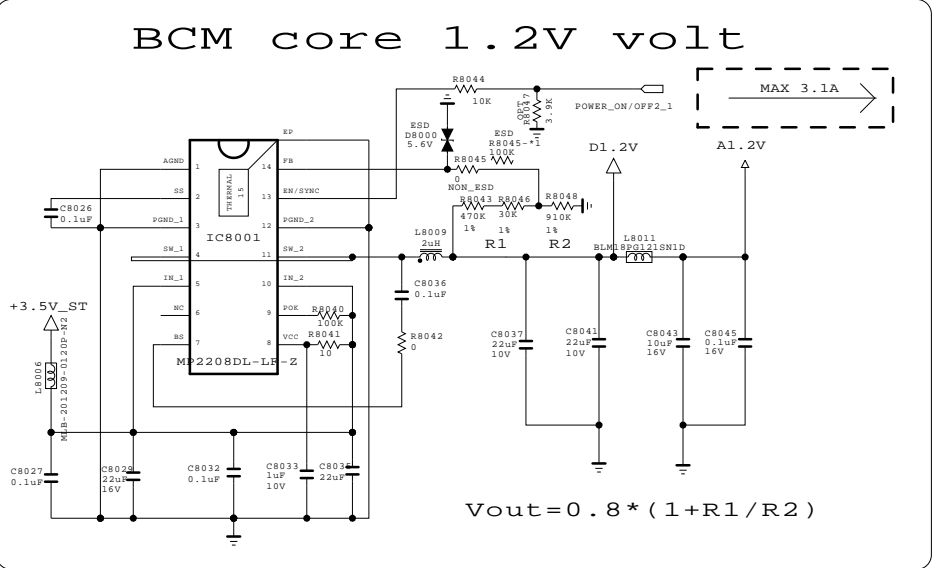
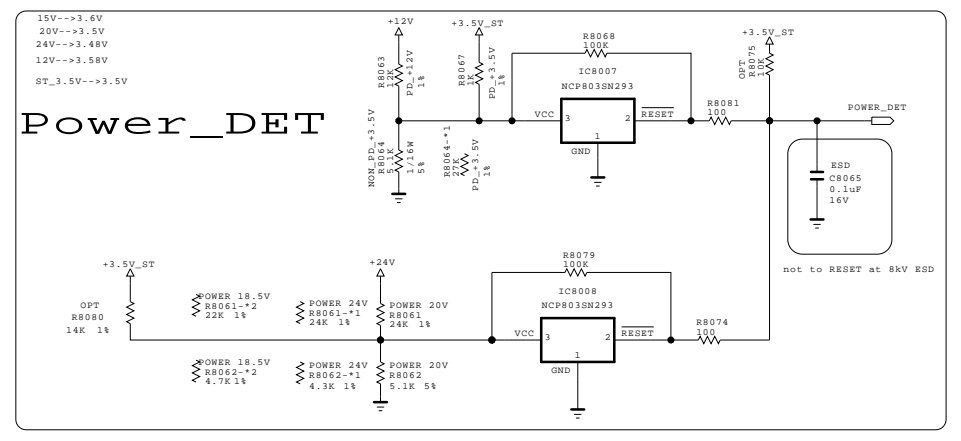
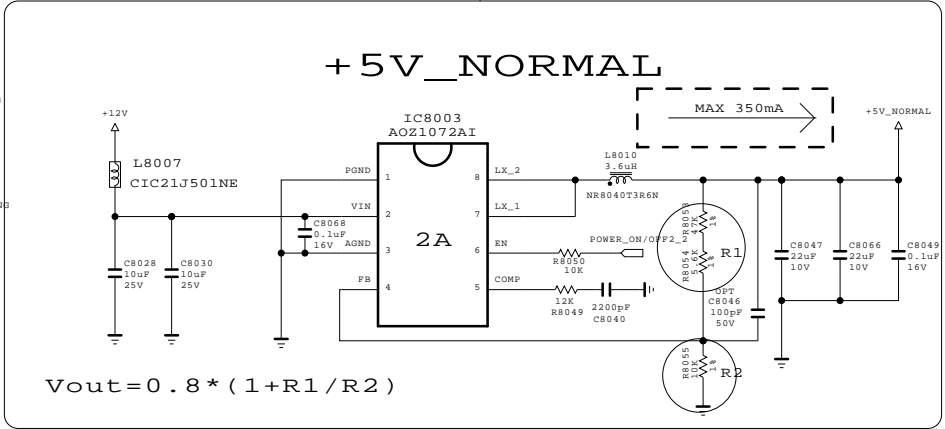


MODEL	GP2_Saturn7M	DATE	Ver. 1.0
BLOCK	Interface for LG5111	SHEET	72 /

FROM LIPS & POWER B/D



PIN No	LX95		
16	N.C		
18	Driver On		
22	N.C		
23	N.C		

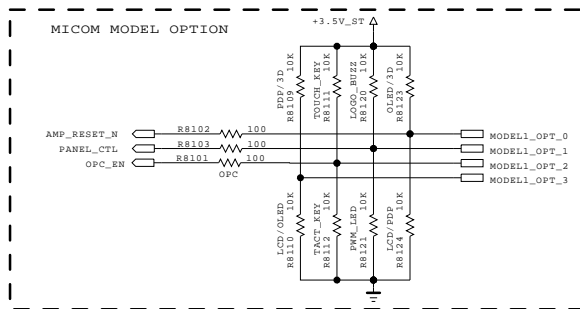
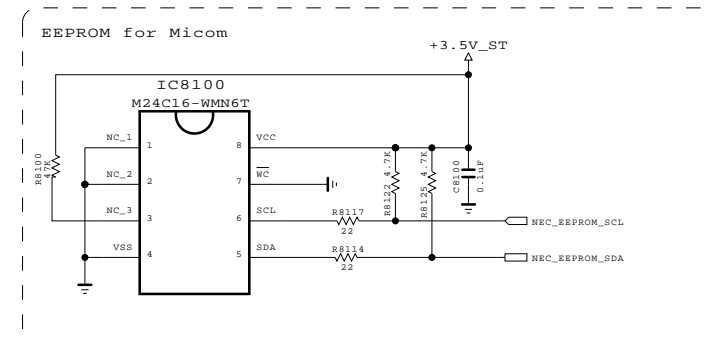
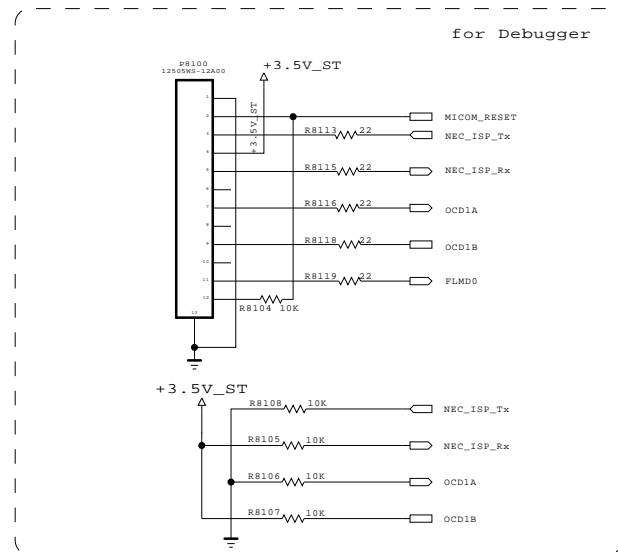


THE Δ SYMBOL MARK OF THIS SCHEMATIC DIAGRAM INCORPORATES SPECIAL FEATURES IMPORTANT FOR PROTECTION FROM X-RADIATION. FILRE AND ELECTRICAL SHOCK HAZARDS, WHEN SERVICING IF IS ESSENTIAL THAT ONLY MANUFACTURERS SPECIFIED PARTS BE USED FOR THE CRITICAL COMPONENTS IN THE Δ SYMBOL MARK OF THE SCHEMATIC.

SECRET
LGElectronics



MODEL	BCM (EUROBBTV)	DATE	
BLOCK	POWER	SHEET	15

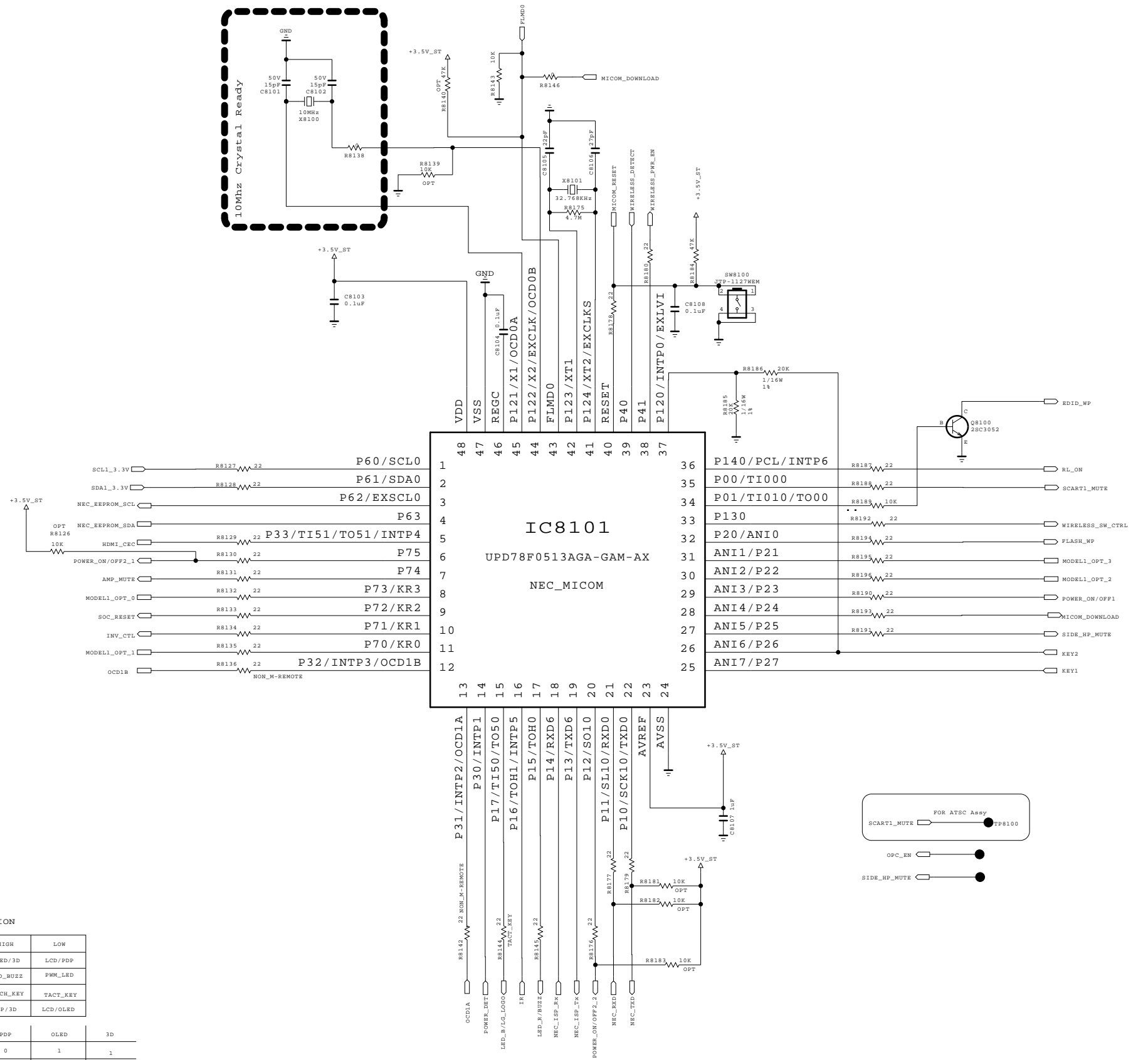


MODEL OPTION

PIN NAME	PIN NO.	HIGH	LOW
MODEL_OPT_0	8	OLED/3D	LCD/PDP
MODEL_OPT_1	11	LOGO_BUZZ	PWM_LED
MODEL_OPT_2	30	TOUCH_KEY	TACT_KEY
MODEL_OPT_3	31	PDP/3D	LCD/OLED

	LCD	PDP	OLED	3D
MODEL_OPT_0	0	0	1	1
MODEL_OPT_3	0	1	0	1

	LOW	LOW_SMALL	LX9500	HIGH
MODEL_OPT_1	0	0	1	1
MODEL_OPT_2	0	1	0	1



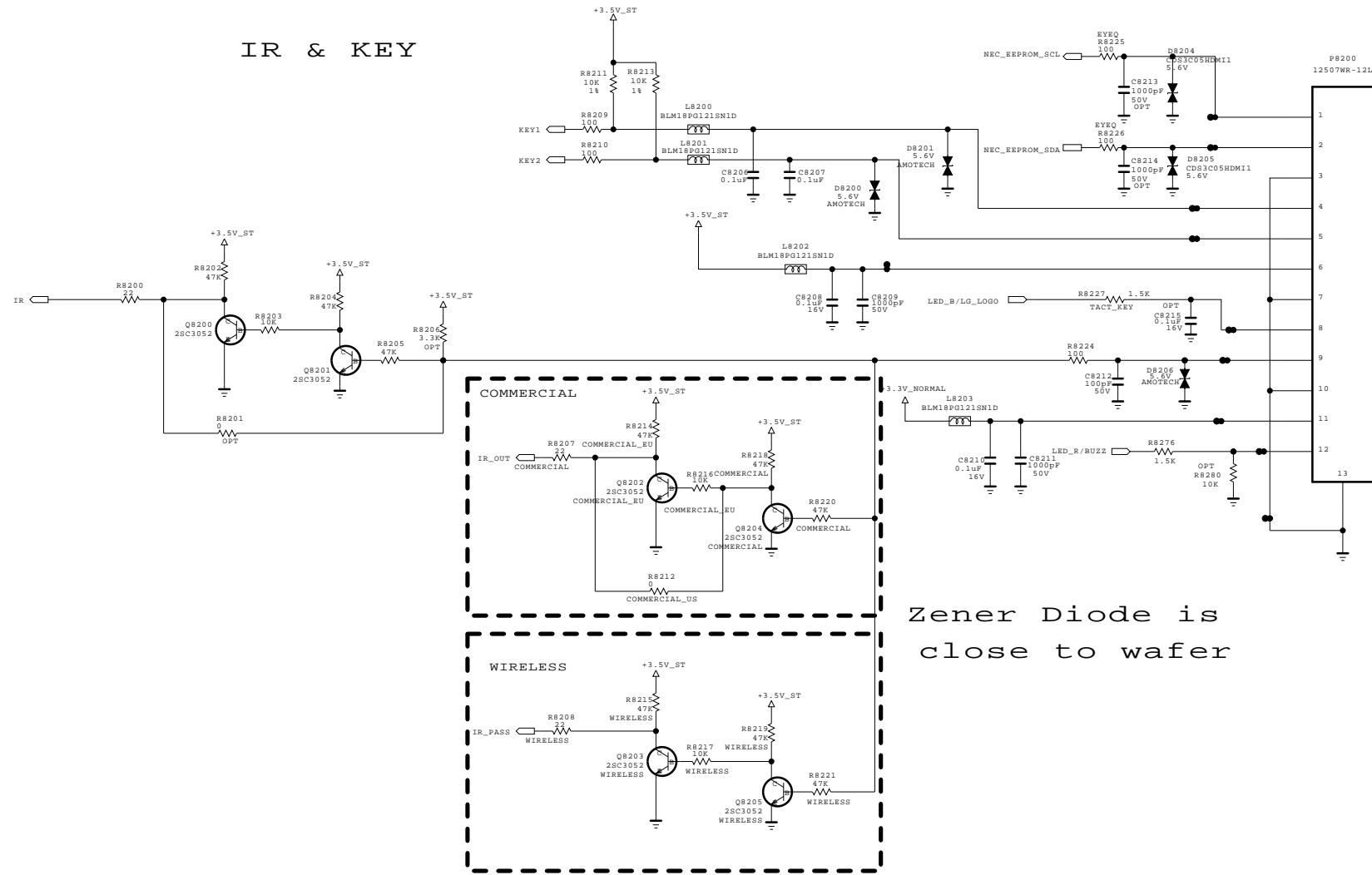
THE Δ SYMBOL MARK OF THIS SCHEMATIC DIAGRAM INCORPORATES SPECIAL FEATURES IMPORTANT FOR PROTECTION FROM X-RADIATION. FILRE AND ELECTRICAL SHOCK HAZARDS, WHEN SERVICING IF IS ESSENTIAL THAT ONLY MANUFACTURES SPECIFIED PARTS BE USED FOR THE CRITICAL COMPONENTS IN THE Δ SYMBOL MARK OF THE SCHEMATIC.

SECRET
LGElectronics

LG ELECTRONICS

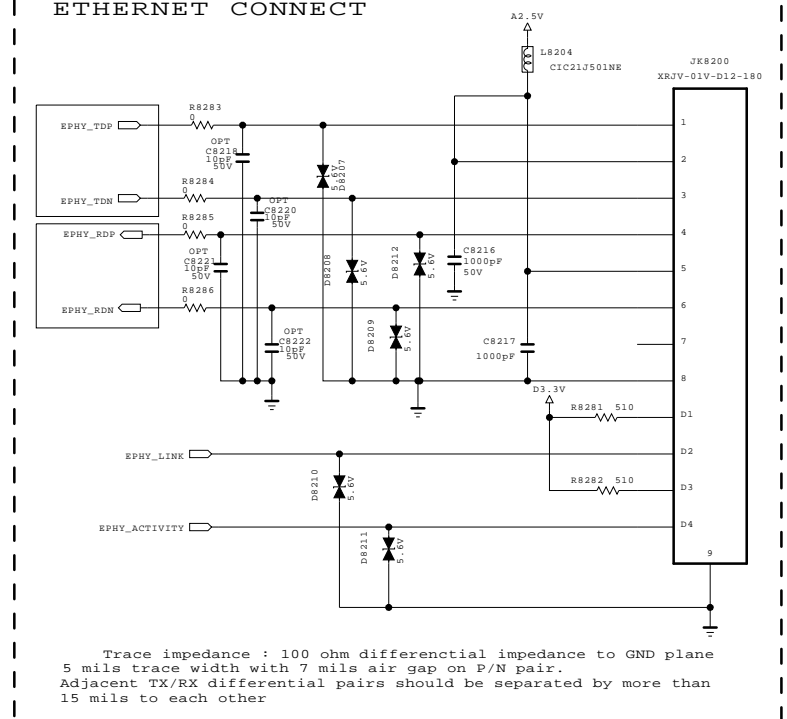
MODEL	GP2_Saturn7M	DATE	Ver. 1.4
BLOCK	MICOM	SHEET	5

IR & KEY



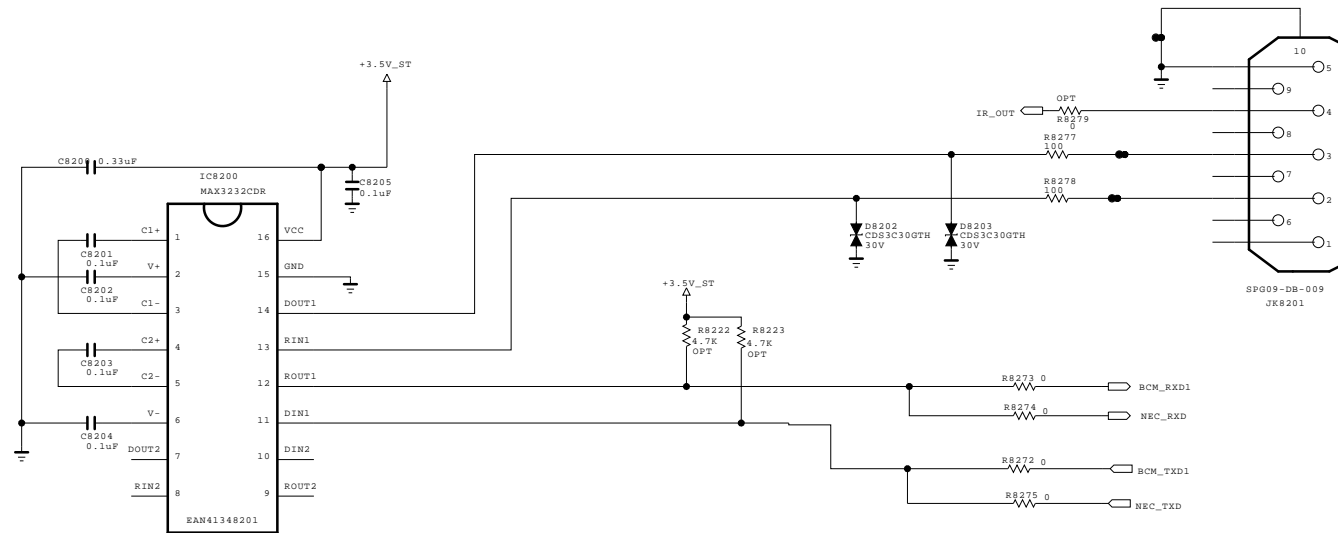
Zener Diode is close to wafer

ETHERNET CONNECT



Trace impedance : 100 ohm differential impedance to GND plane
5 mils trace width with 7 mils air gap on P/N pair.
Adjacent TX/RX differential pairs should be separated by more than 15 mils to each other

RS232C

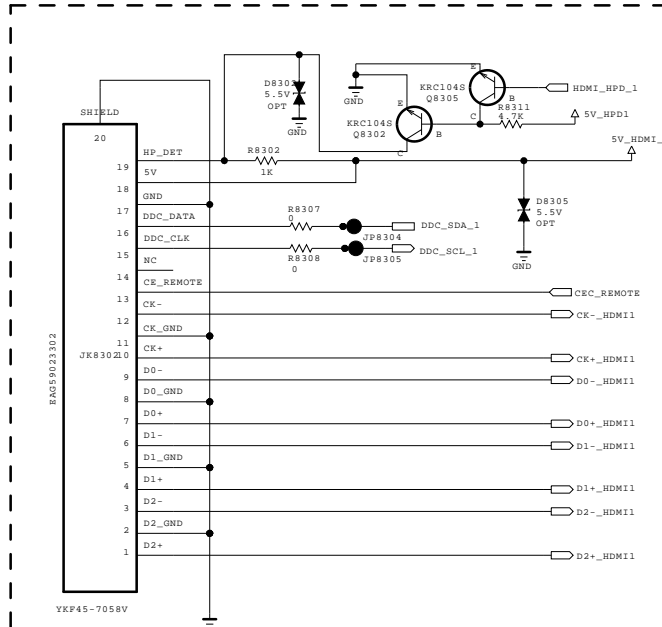


THE Δ SYMBOL MARK OF THIS SCHEMATIC DIAGRAM INCORPORATES SPECIAL FEATURES IMPORTANT FOR PROTECTION FROM X-RADIATION. FILRE AND ELECTRICAL SHOCK HAZARDS, WHEN SERVICING IF IS ESSENTIAL THAT ONLY MANUFACTURES SPECIFIED PARTS BE USED FOR THE CRITICAL COMPONENTS IN THE Δ SYMBOL MARK OF THE SCHEMATIC.

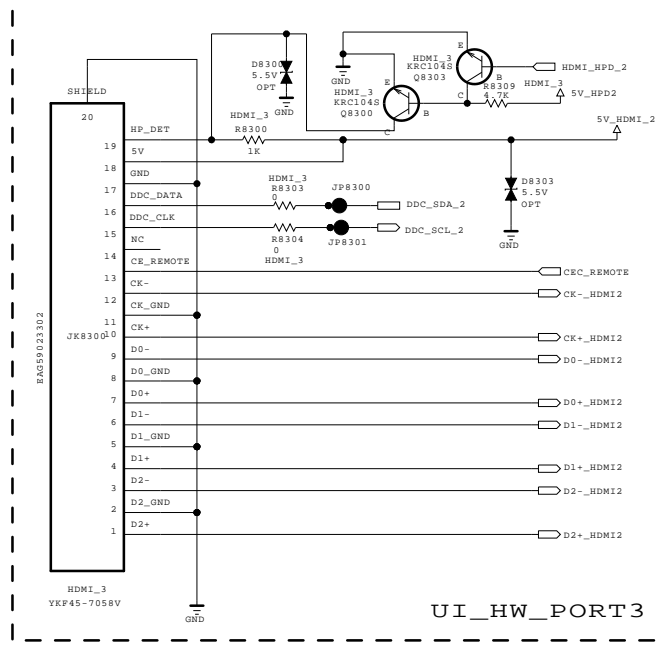
SECRET
LGElectronics



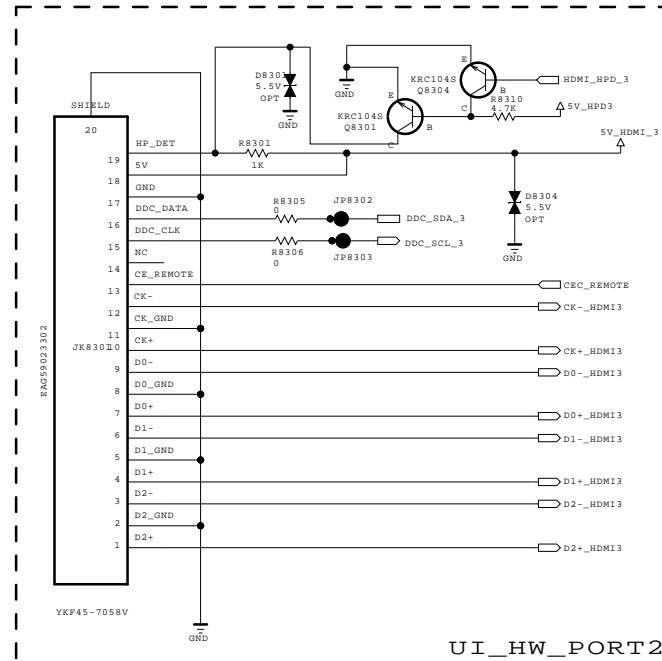
MODEL		DATE	
BLOCK		SHEET	



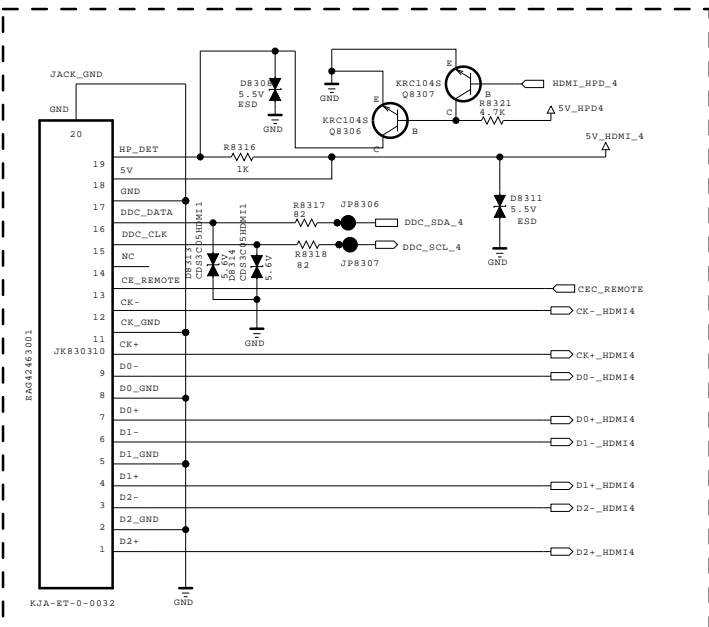
UI_HW_PORT1



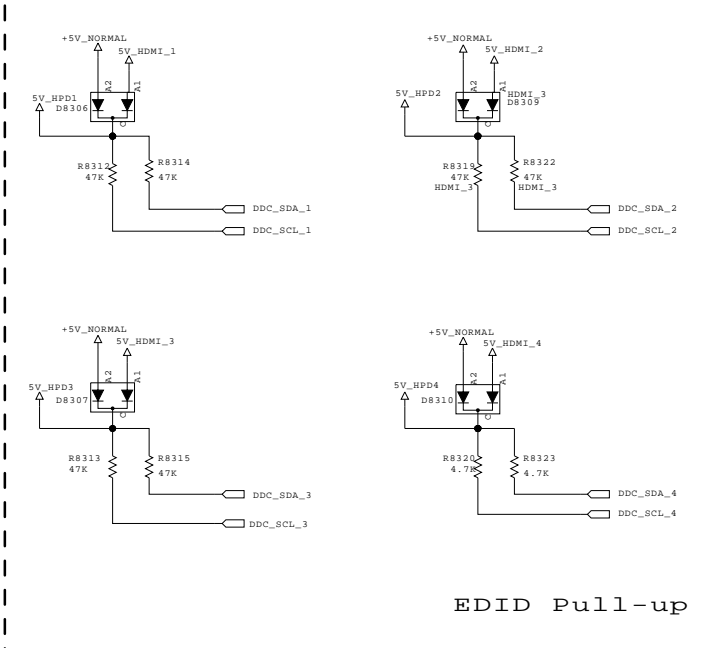
UI_HW_PORT3



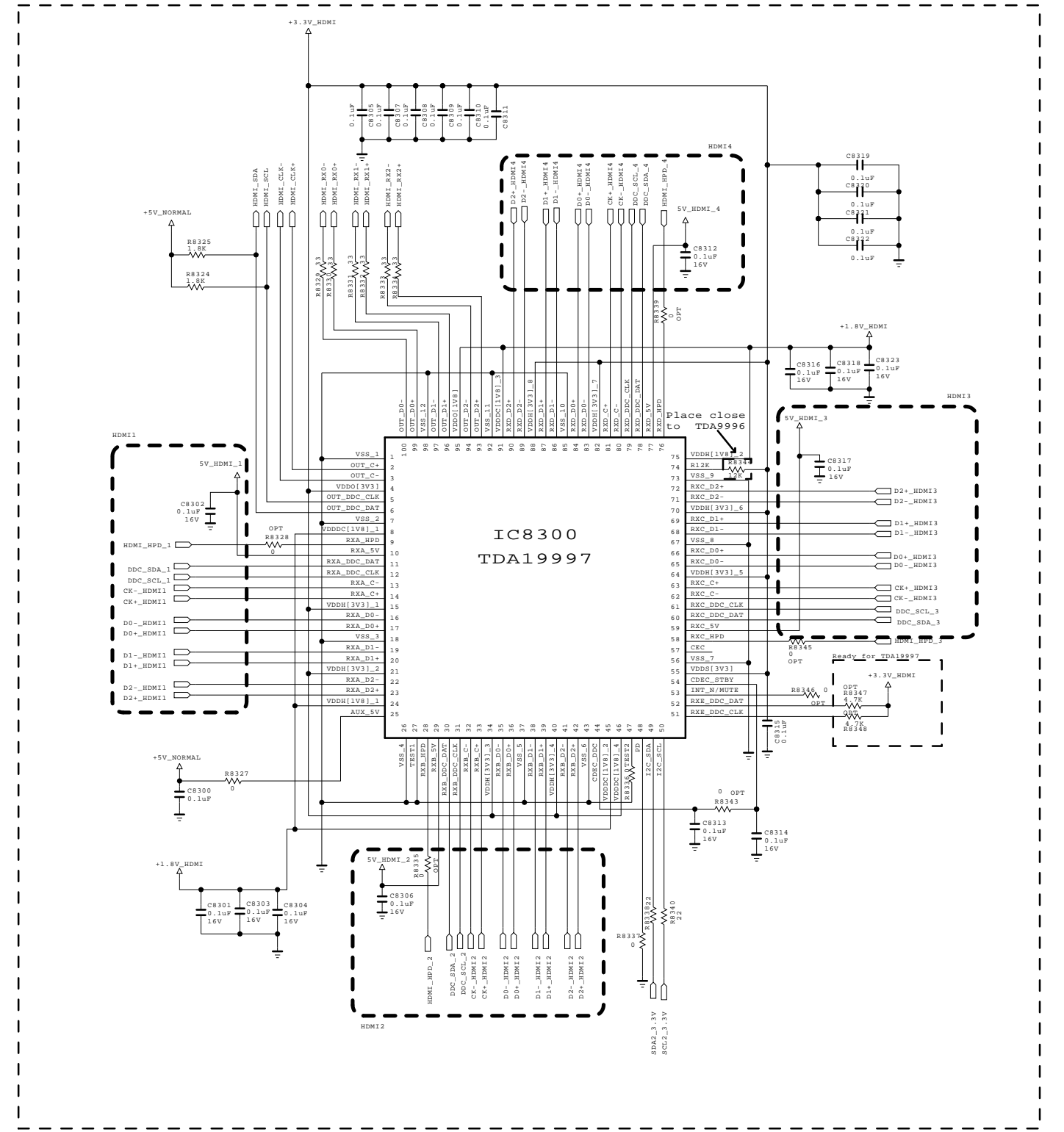
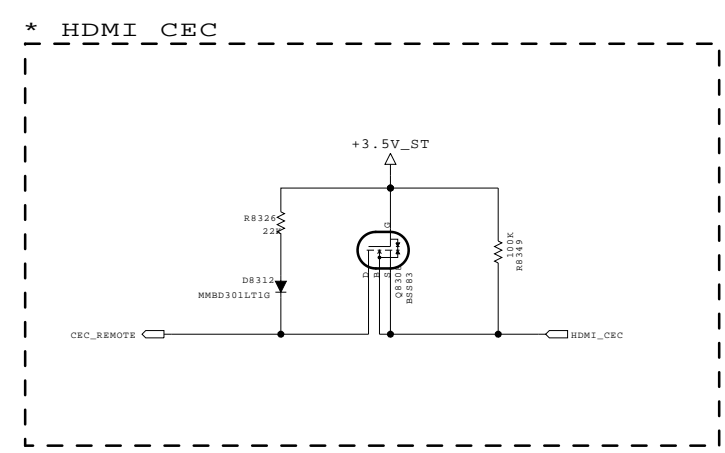
UI_HW_PORT2



SIDE_HDMI_PORT4



EDID Pull-up



THE Δ SYMBOL MARK OF THIS SCHEMATIC DIAGRAM INCORPORATES SPECIAL FEATURES IMPORTANT FOR PROTECTION FROM X-RADIATION. FILTRATION AND ELECTRICAL SHOCK HAZARDS, WHEN SERVICING IF IS ESSENTIAL THAT ONLY MANUFACTURERS SPECIFIED PARTS BE USED FOR THE CRITICAL COMPONENTS IN THE Δ SYMBOL MARK OF THE SCHEMATIC.

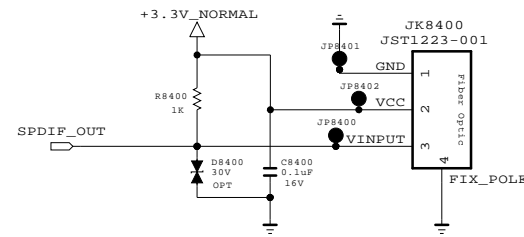
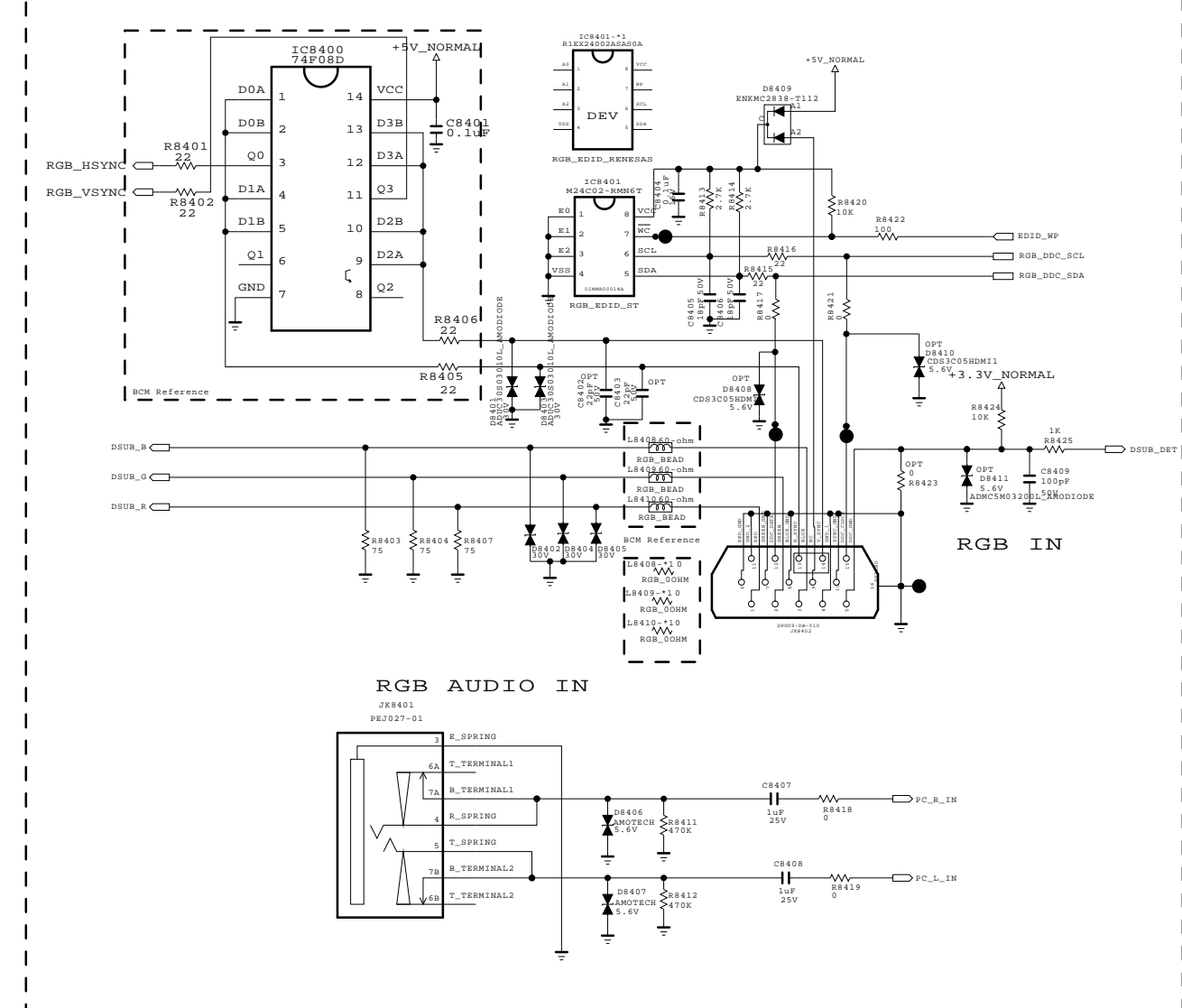
SECRET
LGElectronics

LEE GI YOUNG

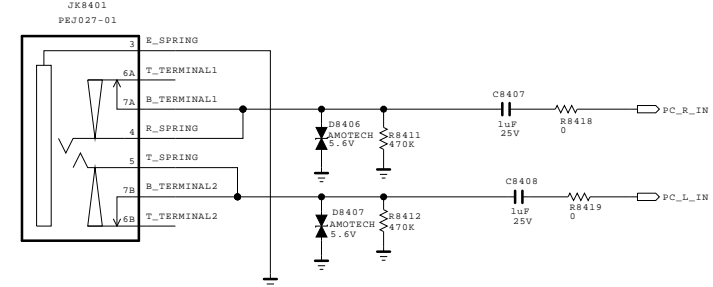


MODEL	BCM (EUROBBTV)	DATE	2009.06.18
BLOCK	HDMI	SHEET	8

RGB_PC



RGB AUDIO IN



THE SYMBOL MARK OF THIS SCHEMATIC DIAGRAM INCORPORATES SPECIAL FEATURES IMPORTANT FOR PROTECTION FROM X-RADIATION. FILRE AND ELECTRICAL SHOCK HAZARDS, WHEN SERVICING IF IS ESSENTIAL THAT ONLY MANUFACTURES SPECIFIED PARTS BE USED FOR THE CRITICAL COMPONENTS IN THE SYMBOL MARK OF THE SCHEMATIC.

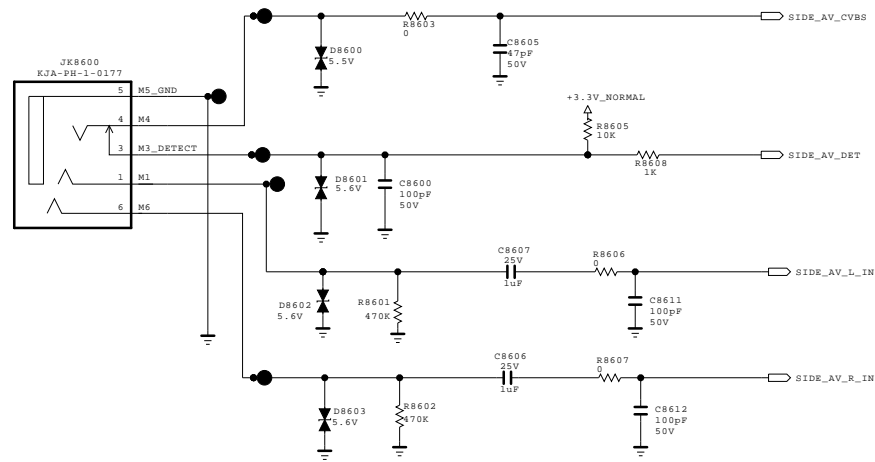
SECRET
LGElectronics



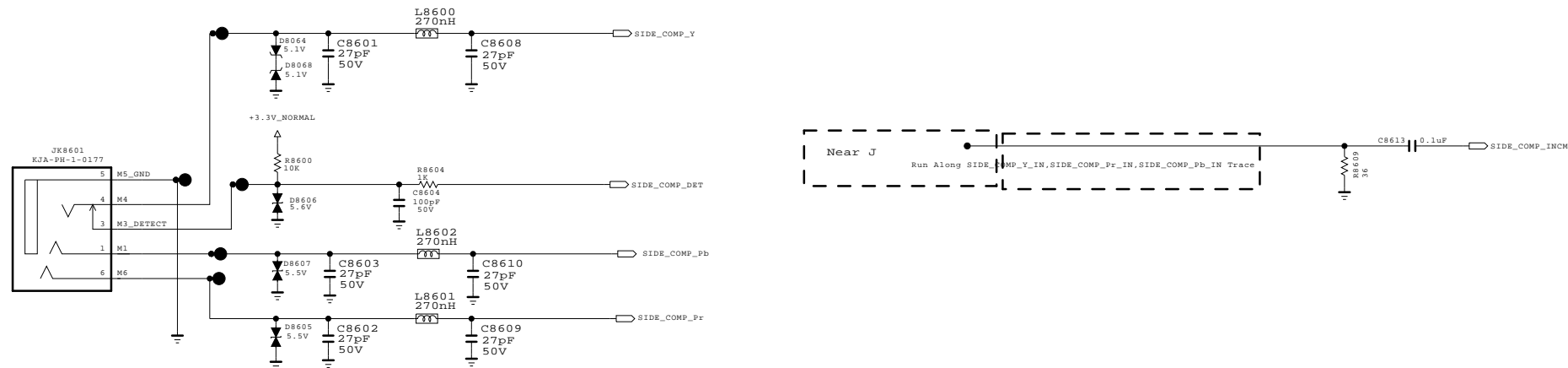
MODEL	EUROBBTV	DATE	2009.06.18
BLOCK	ETC SUB BOARD I/F	SHEET	9 /

ALL for SIDE_GENDER option

SIDE CVBS PHONE JACK
(New Item Development)



SIDE COMPONENT PHONE JACK
(New Item Development)



THE Δ SYMBOL MARK OF THIS SCHEMATIC DIAGRAM INCORPORATES SPECIAL FEATURES IMPORTANT FOR PROTECTION FROM X-RADIATION. FILRE AND ELECTRICAL SHOCK HAZARDS, WHEN SERVICING IF IS ESSENTIAL THAT ONLY MANUFACTURES SPECIFIED PARTS BE USED FOR THE CRITICAL COMPONENTS IN THE Δ SYMBOL MARK OF THE SCHEMATIC.

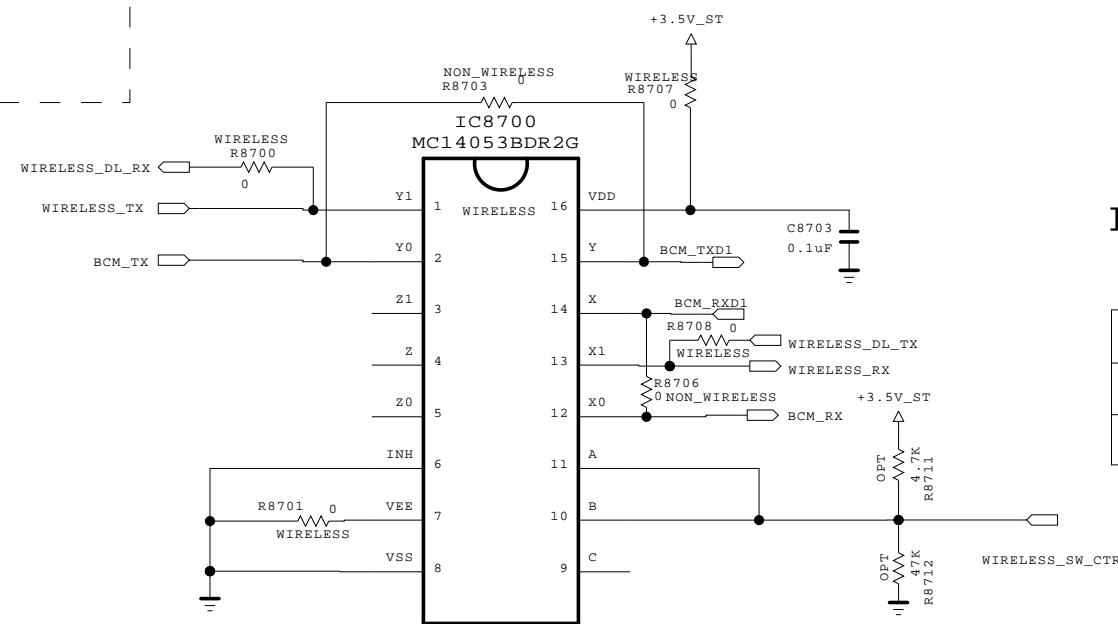
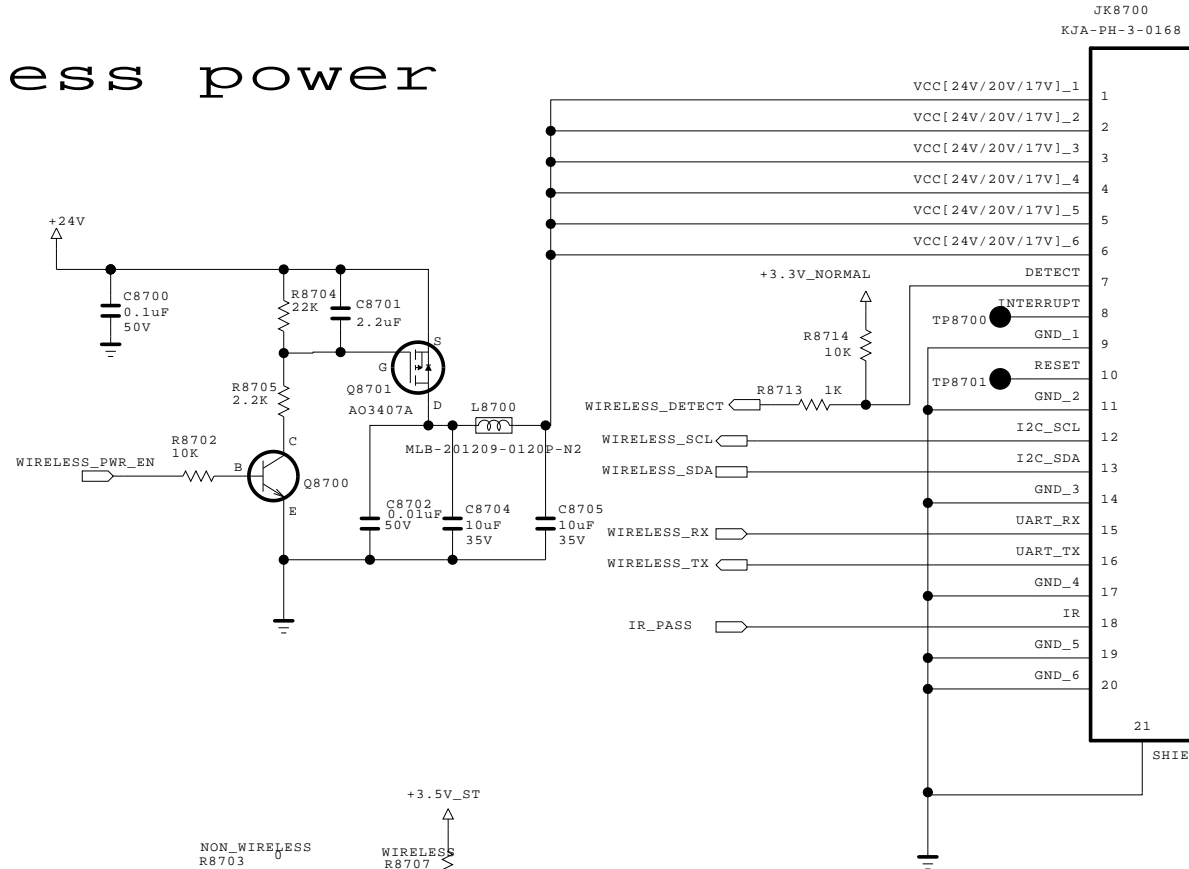
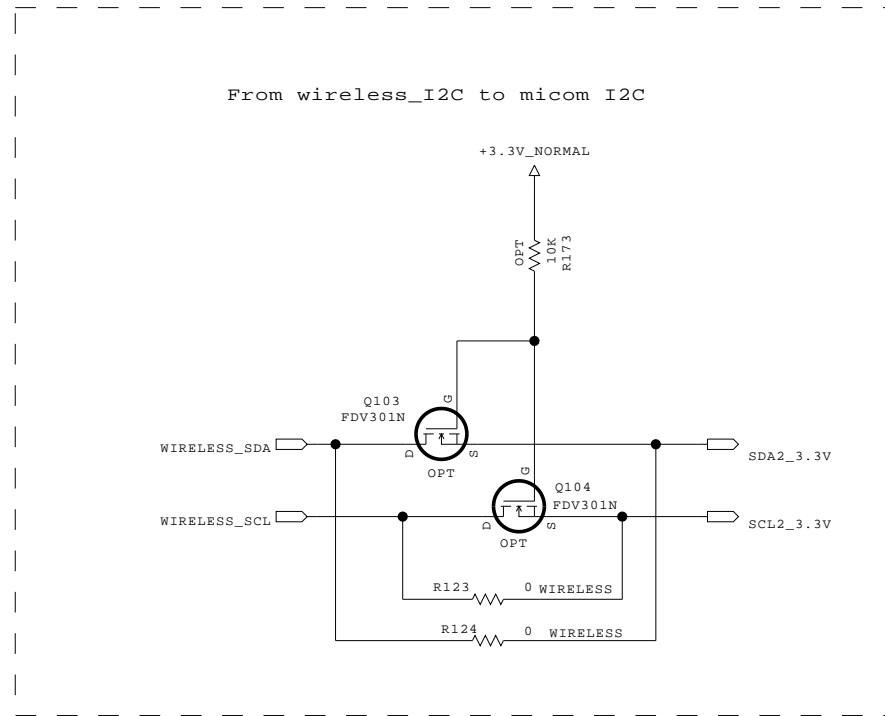
SECRET
LGElectronics



MODEL		DATE	
BLOCK		SHEET	11 /

WIRELESS READY MODEL

Wireless power



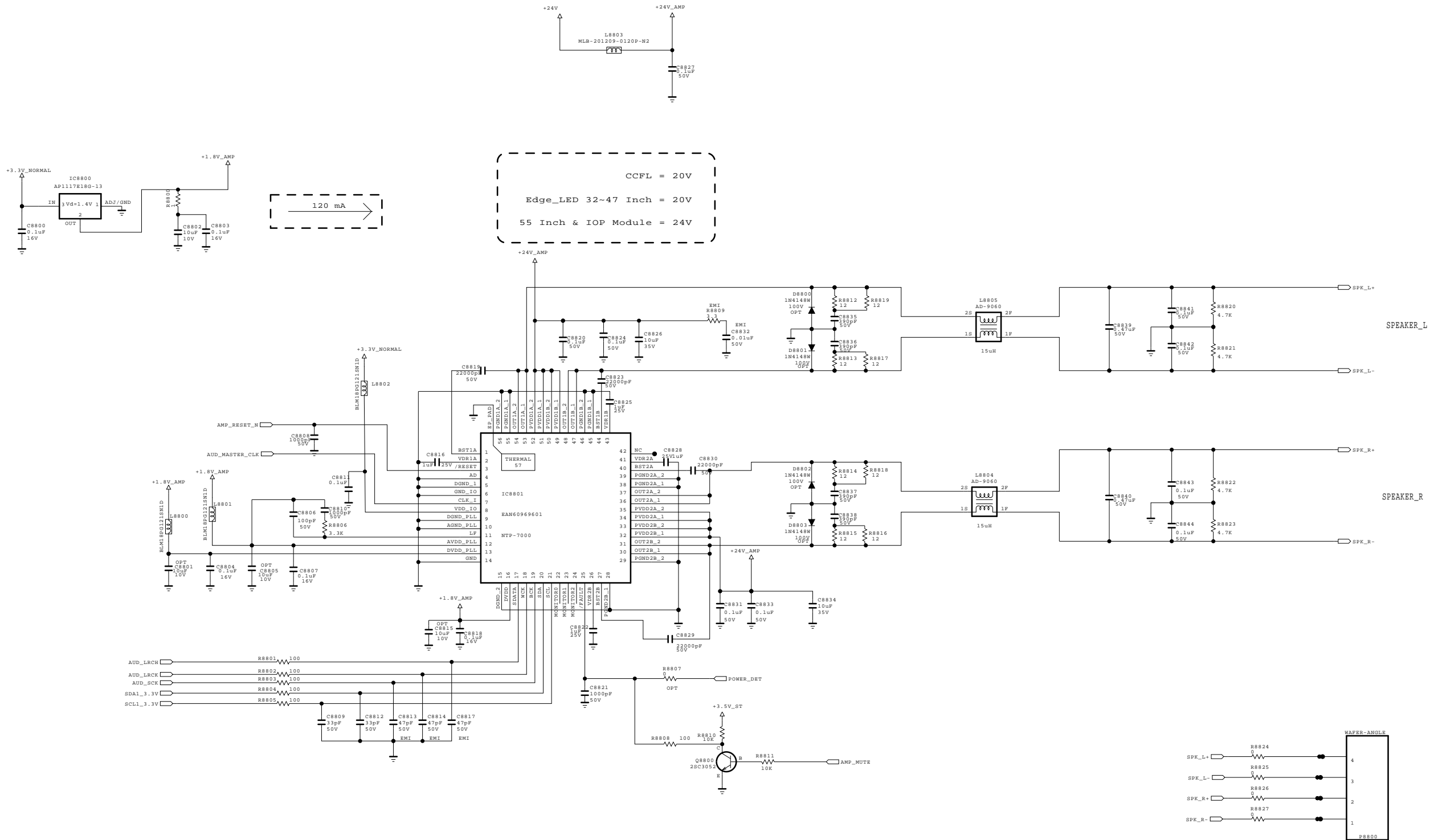
RS232C & Wireless

WIRELESS_SW_CTRL	SELECT PIN	STATUS
HIGH	X1/Y1/Z1	WIRELESS Dongle connect --> WIRELESS RS232
LOW	X0/Y0/Z0	WIRELESS Dongle Dis_con --> S7 RS232

THE SYMBOL MARK OF THIS SCHEMATIC DIAGRAM INCORPORATES SPECIAL FEATURES IMPORTANT FOR PROTECTION FROM X-RADIATION. FILRE AND ELECTRICAL SHOCK HAZARDS, WHEN SERVICING IF IS ESSENTIAL THAT ONLY MANUFACTURES SPECIFIED PARTS BE USED FOR THE CRITICAL COMPONENTS IN THE SYMBOL MARK OF THE SCHEMATIC.

SECRET
 LG ELECTRONICS

MODEL		DATE	
BLOCK		SHEET	12 /

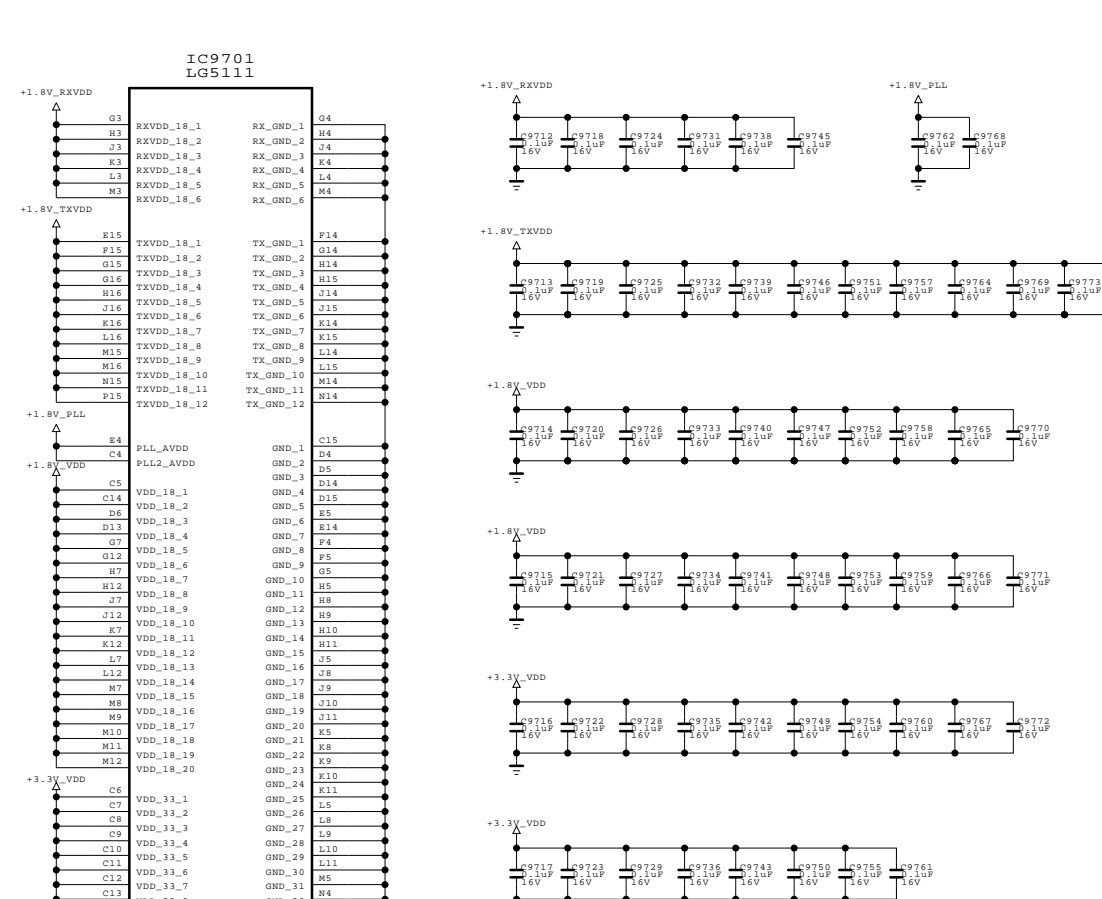
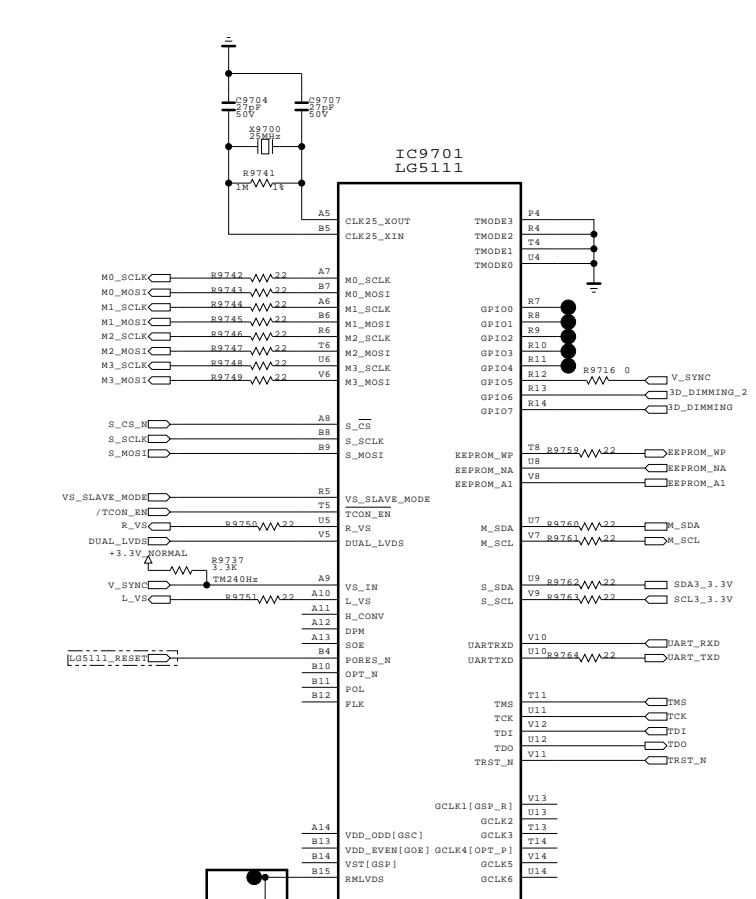
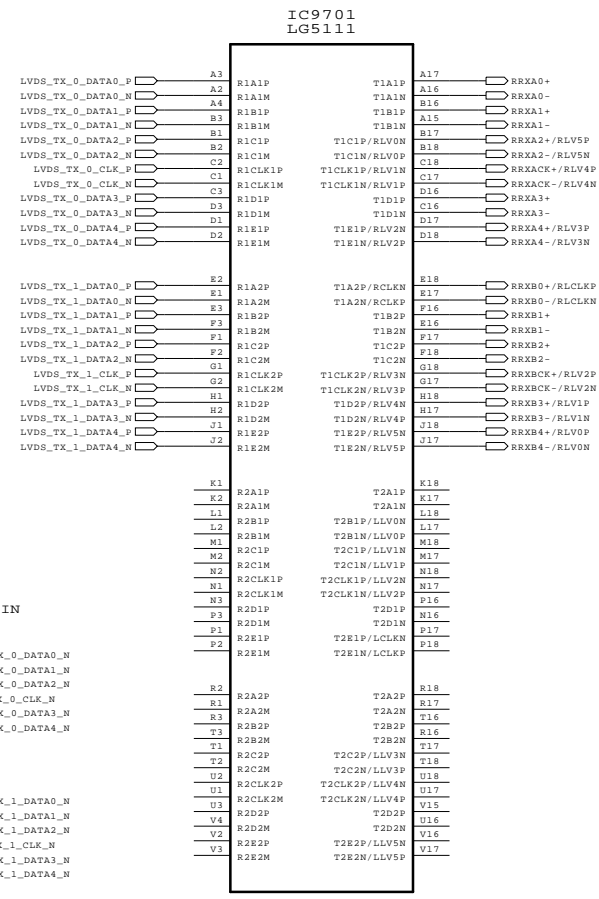


THE SYMBOL MARK OF THIS SCHEMATIC DIAGRAM INCORPORATES SPECIAL FEATURES IMPORTANT FOR PROTECTION FROM X-RADIATION. FILRE AND ELECTRICAL SHOCK HAZARDS, WHEN SERVICING IF IS ESSENTIAL THAT ONLY MANUFACTURES SPECIFIED PARTS BE USED FOR THE CRITICAL COMPONENTS IN THE SYMBOL MARK OF THE SCHEMATIC.

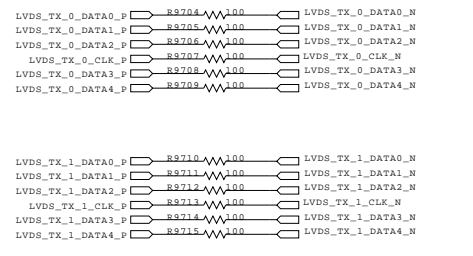
SECRET
LGElectronics

KIM JONG HYUN LG ELECTRONICS

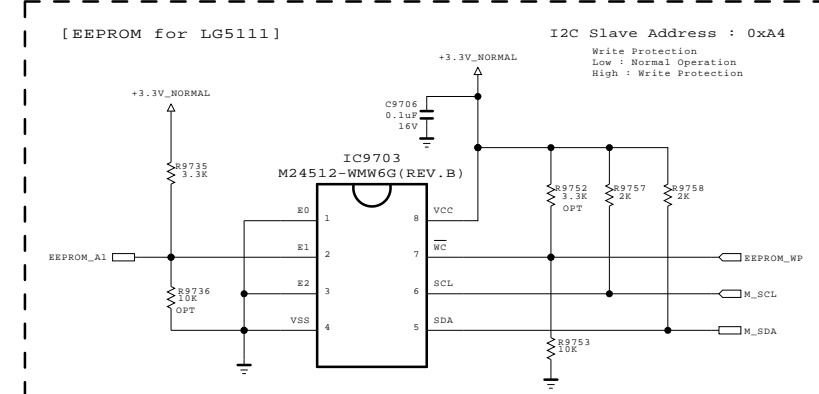
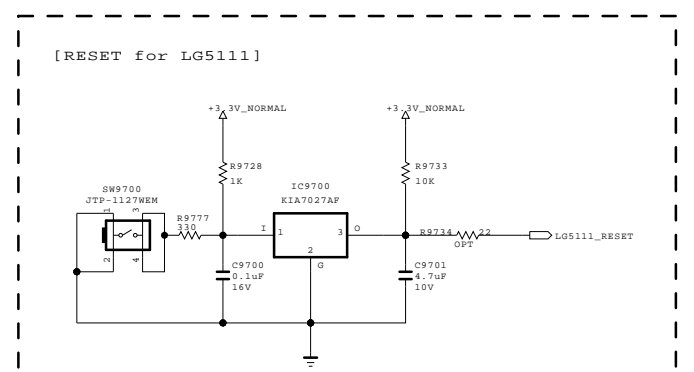
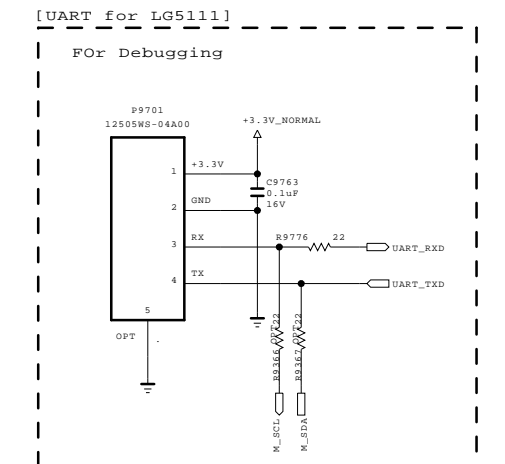
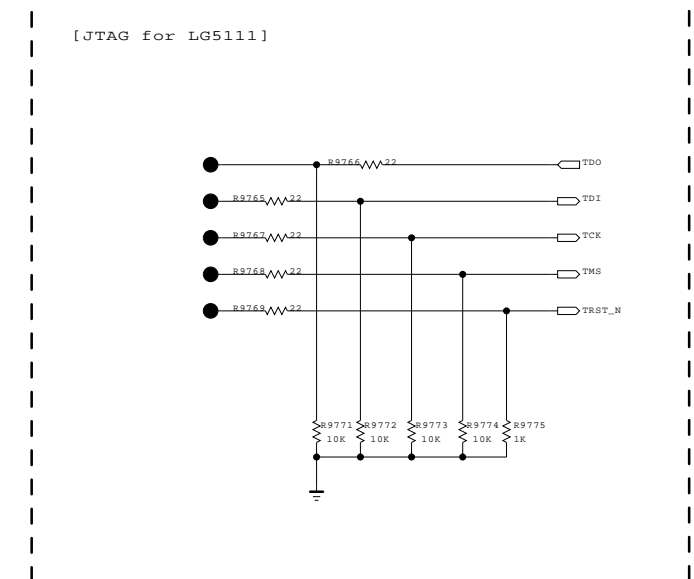
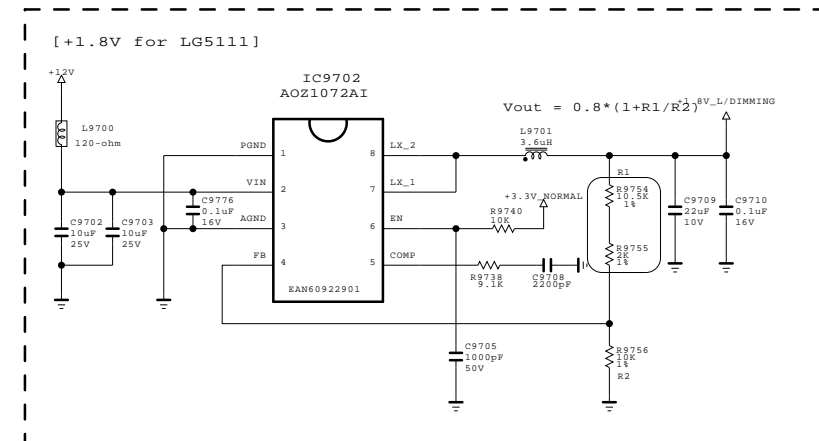
MODEL	BCM (EUROBBTV)	DATE	2009.06.18
BLOCK	NTP7000	SHEET	38 /



Close to LG5111 LVDS Input PIN

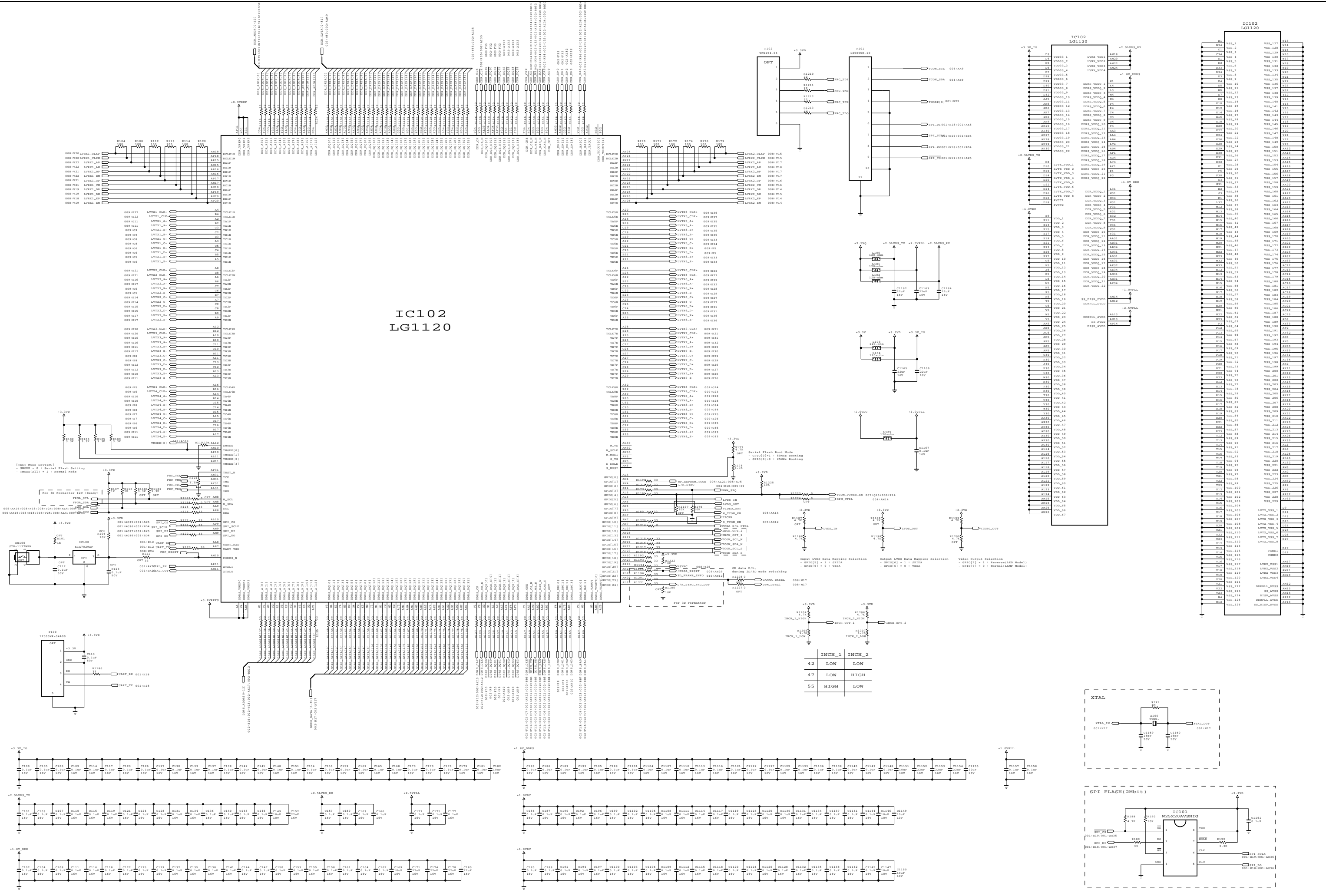


[Mini-LVDS Signal Strength]
1. Adjust Mini-LVDS Tx voltage swing level (swing level can be affected by PFC cable)
2. Add resistor and make option for each model



THE Δ SYMBOL MARK OF THIS SCHEMATIC DIAGRAM INCORPORATES SPECIAL FEATURES IMPORTANT FOR PROTECTION FROM X-RADIATION. FILRE AND ELECTRICAL SHOCK HAZARDS, WHEN SERVICING IF IS ESSENTIAL THAT ONLY MANUFACTURES SPECIFIED PARTS BE USED FOR THE CRITICAL COMPONENTS IN THE Δ SYMBOL MARK OF THE SCHEMATIC.

SECRET LG Electronics
MODEL COMMON_LD_400/480HZ DATE 09/10/13
BLOCK LG5111 (L.D.) from BCM SHEET 97



IC102
LG1120

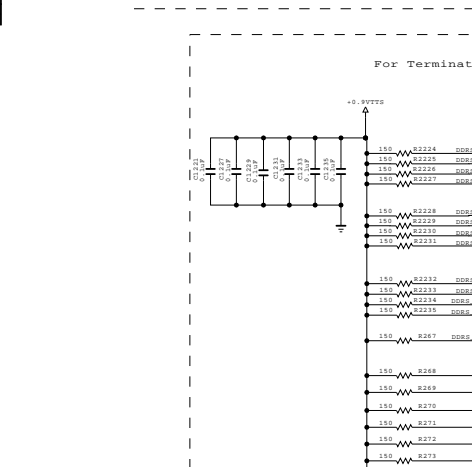
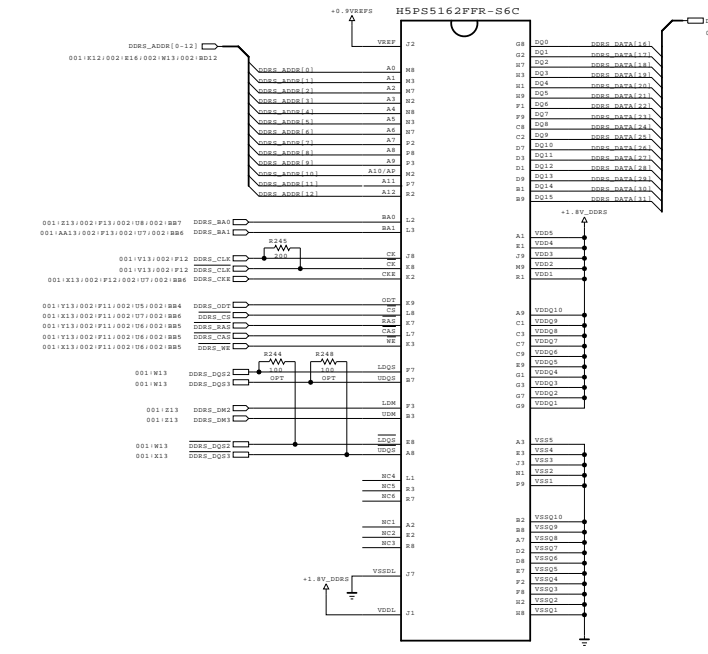
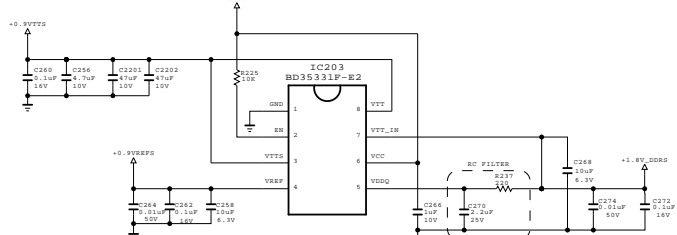
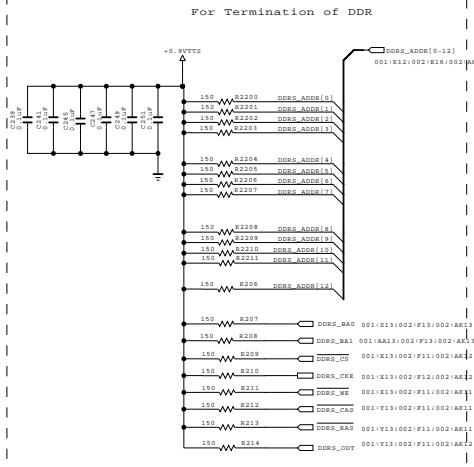
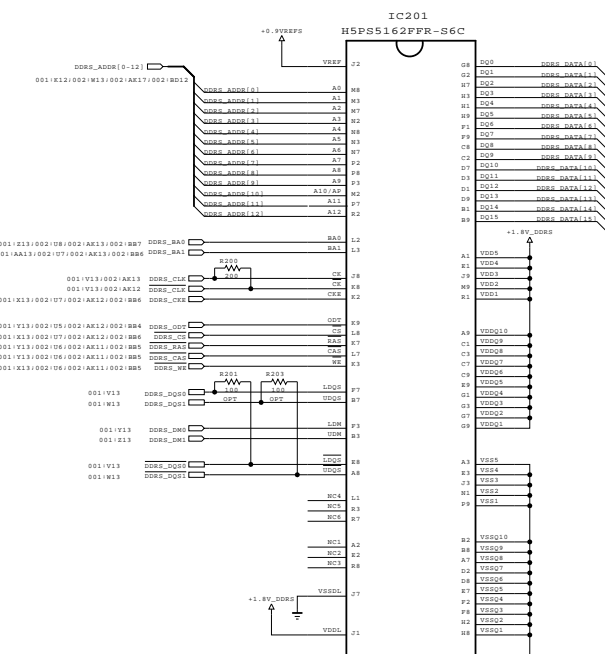
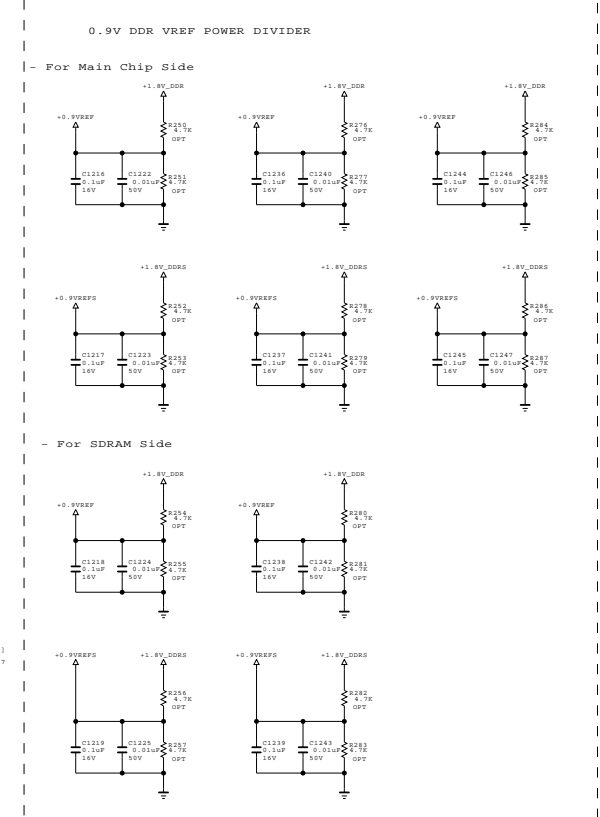
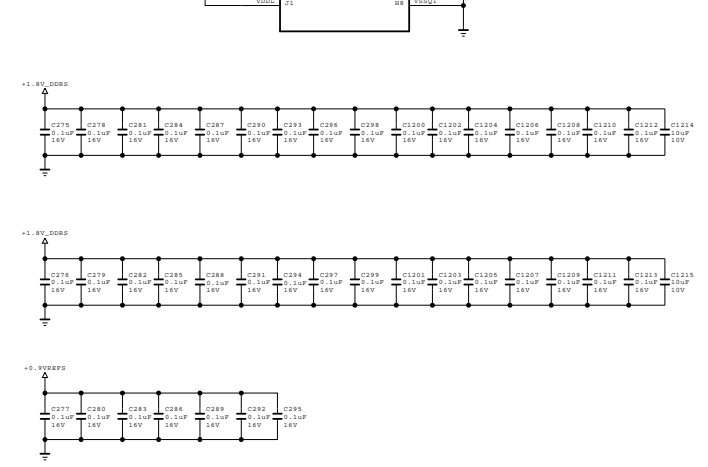
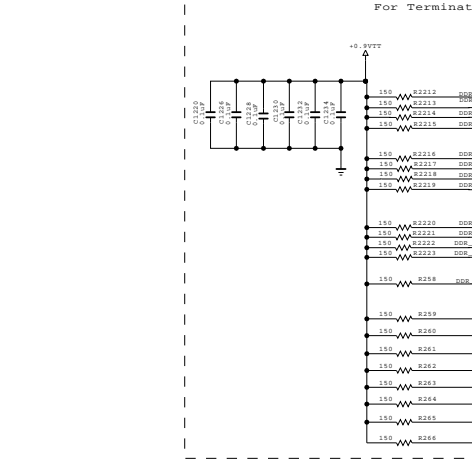
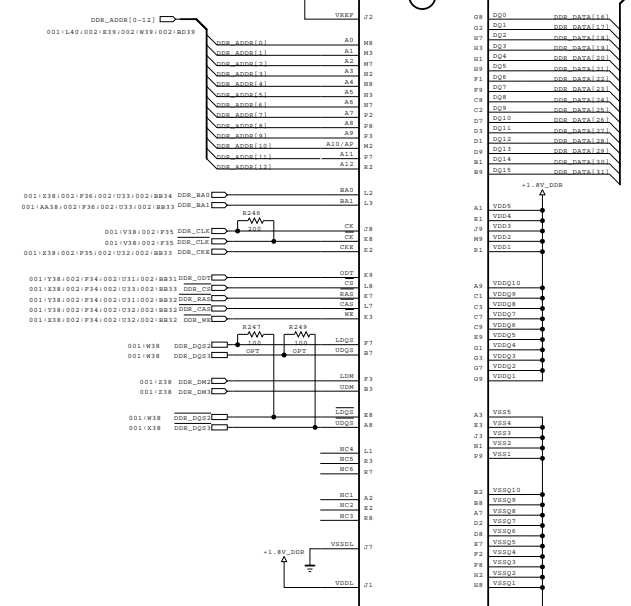
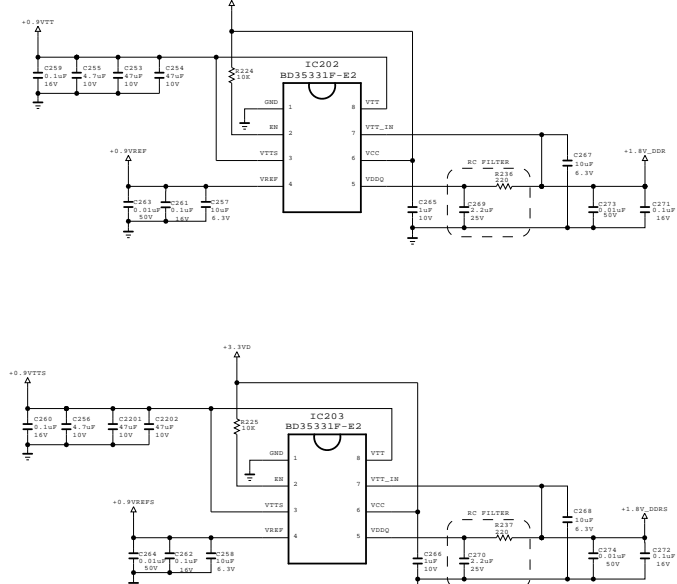
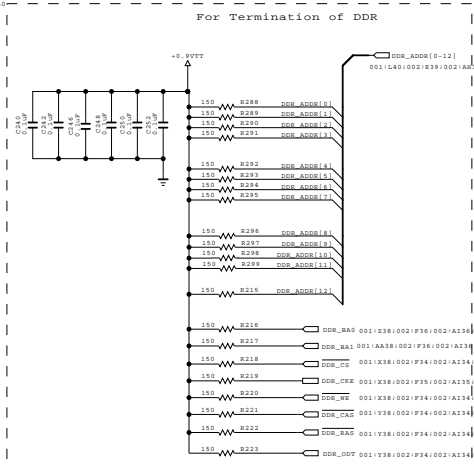
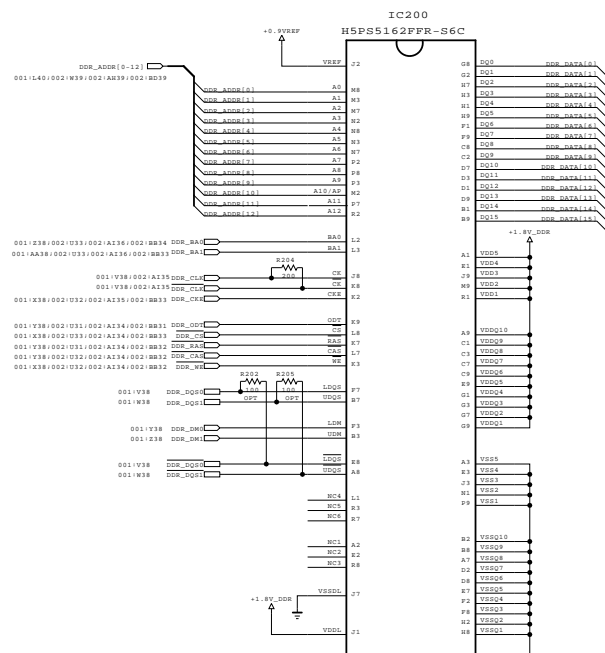
	INCH_1	INCH_2
42	LOW	LOW
47	LOW	HIGH
55	HIGH	LOW

THE SYMBOL MARK OF THIS SCHEMATIC DIAGRAM INCORPORATES SPECIAL FEATURES IMPORTANT FOR PROTECTION FROM X-RADIATION. FILRE AND ELECTRICAL SHOCK HAZARDS, WHEN SERVICING IF IS ESSENTIAL THAT ONLY MANUFACTURES SPECIFIED PARTS BE USED FOR THE CRITICAL COMPONENTS IN THE SYMBOL MARK OF THE SCHEMATIC.

SECRET
LGElectronics



MODEL	3d + 240 PRC + TCON BOARD	DATE	2009. 11. 13
BLOCK	* M31120 (PRC 240Hz Chip)	SHEET	1 / 10

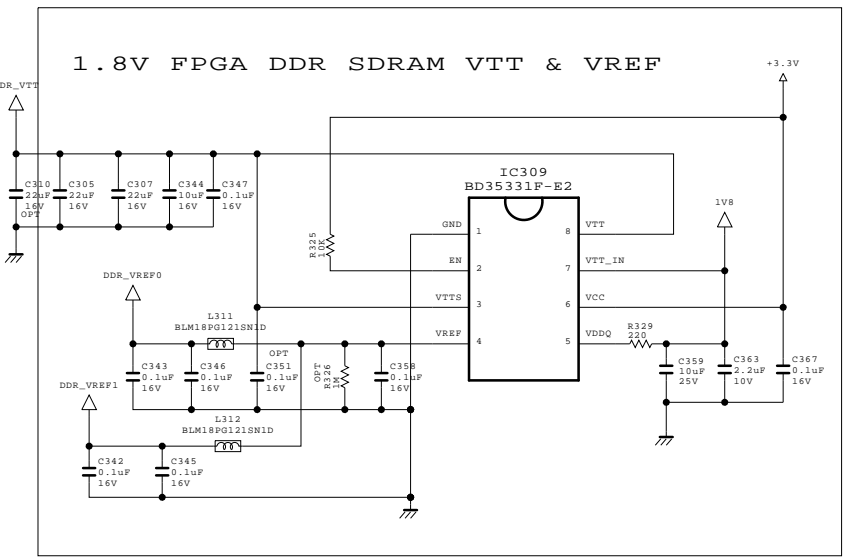
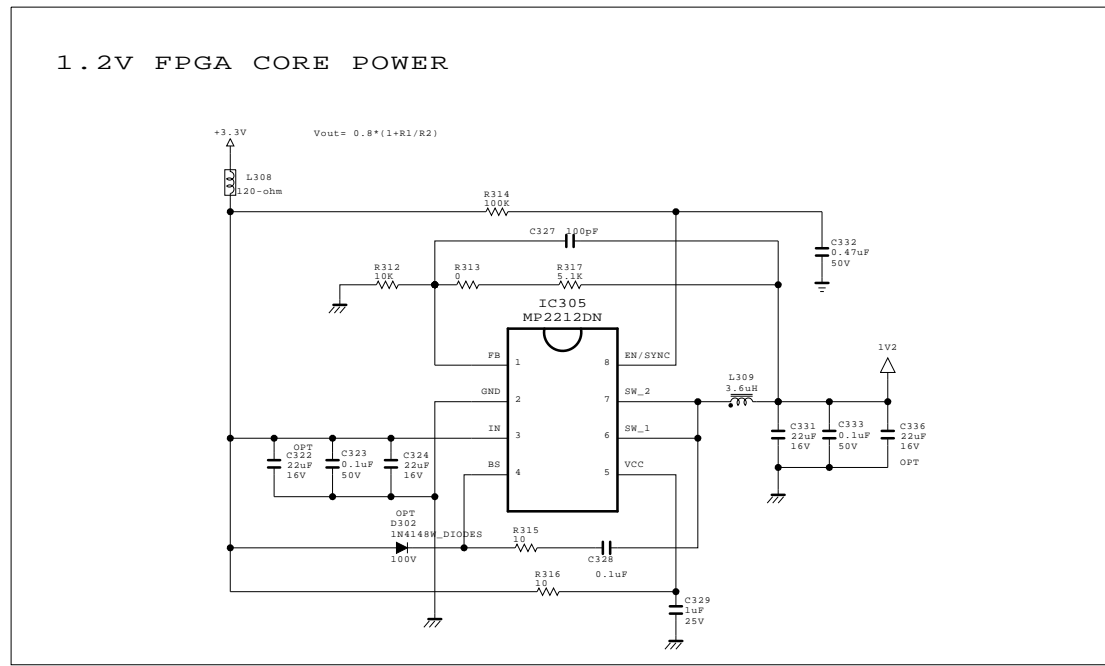
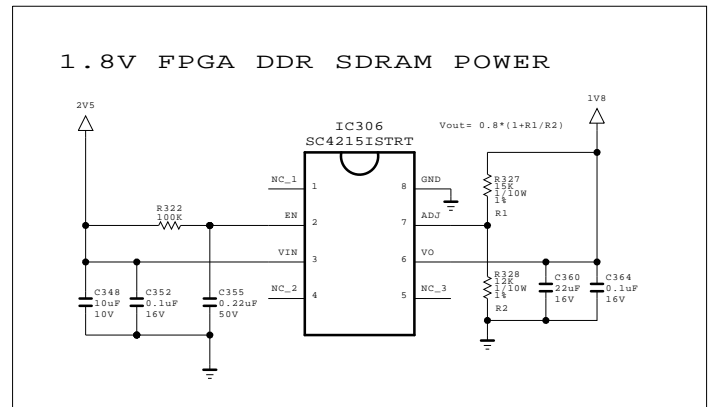
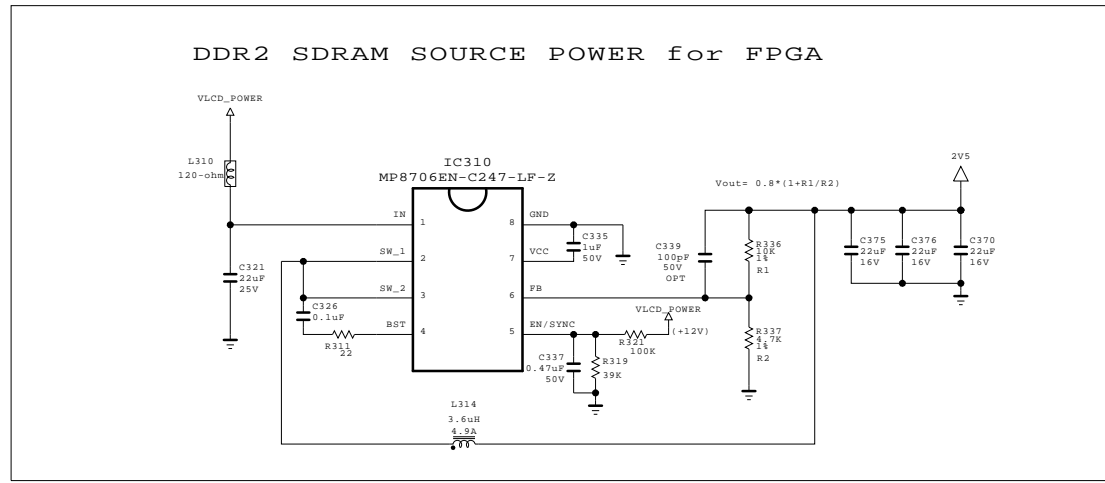
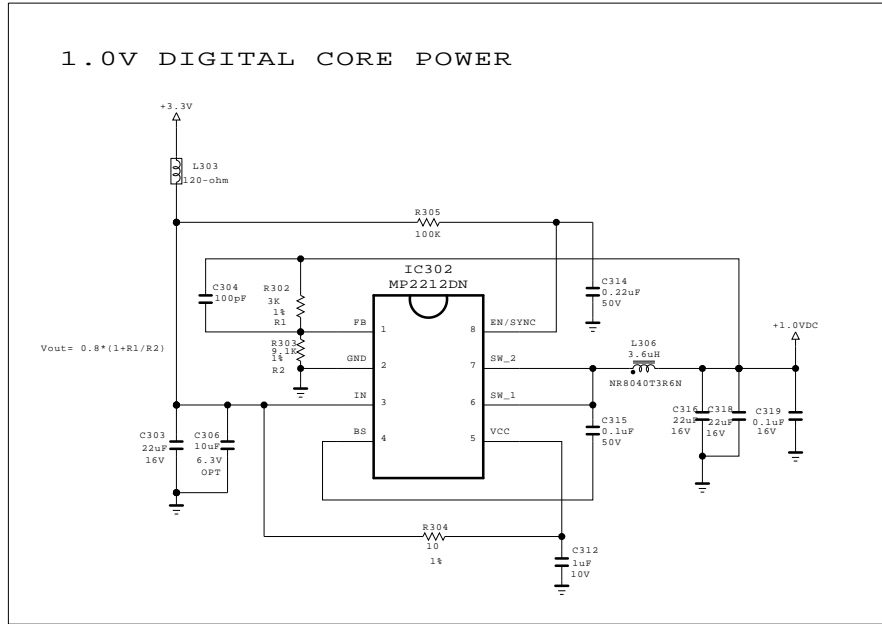
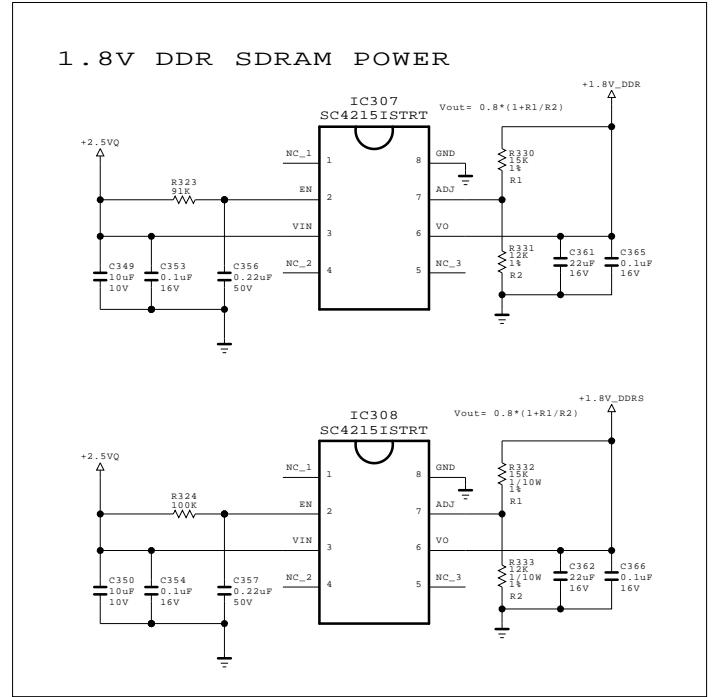
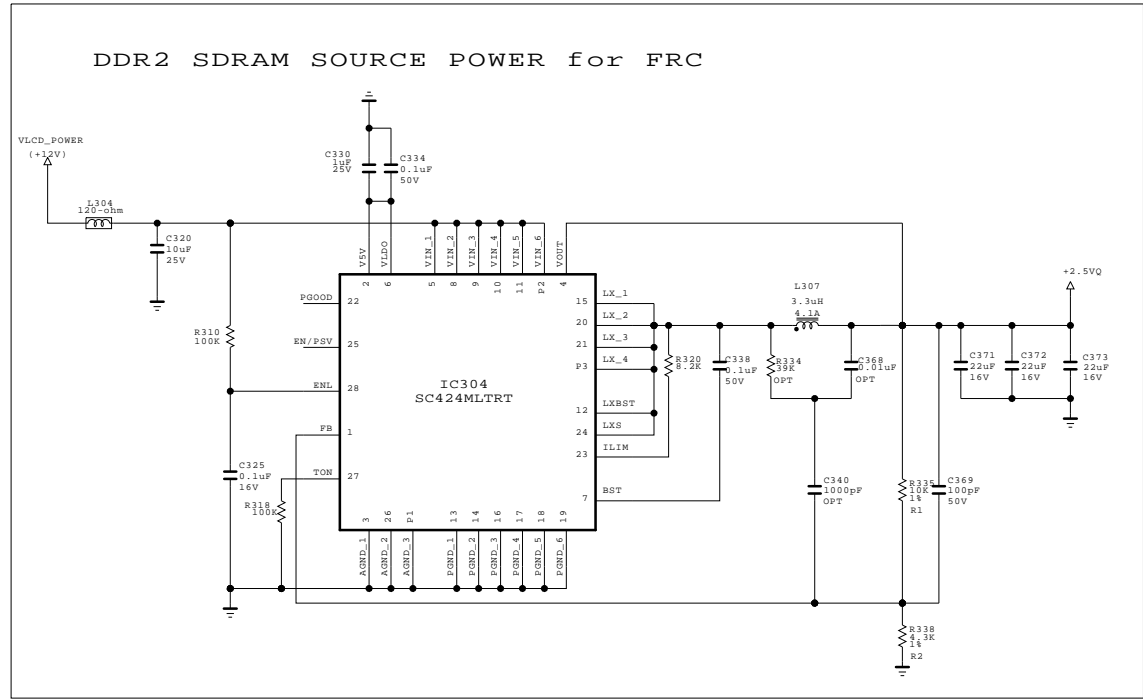
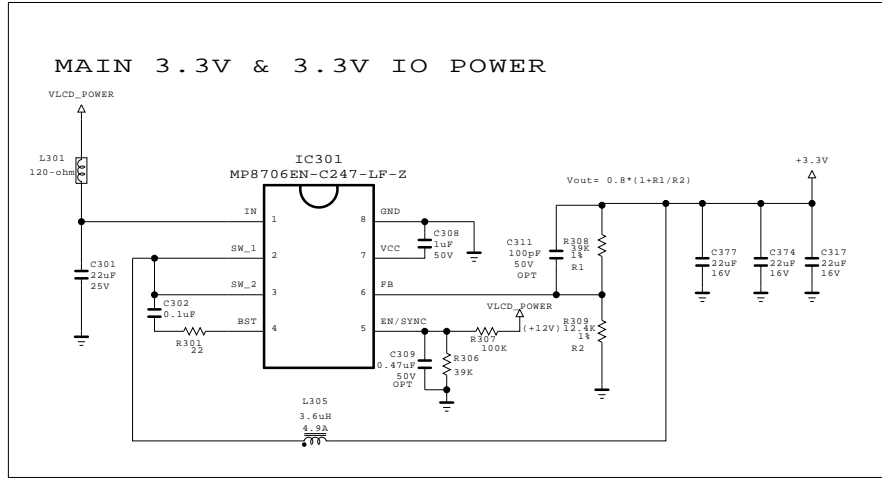


THE Δ SYMBOL MARK OF THIS SCHEMATIC DIAGRAM INCORPORATES SPECIAL FEATURES IMPORTANT FOR PROTECTION FROM X-RADIATION. FILRE AND ELECTRICAL SHOCK HAZARDS, WHEN SERVICING IF IS ESSENTIAL THAT ONLY MANUFACTURES SPECIFIED PARTS BE USED FOR THE CRITICAL COMPONENTS IN THE Δ SYMBOL MARK OF THE SCHEMATIC.

SECRET
LGElectronics

LG ELECTRONICS

MODEL	3d + 240 PRC + TCON BOARD	DATE	2009. 11. 13
BLOCK	DDR2 SDRAM	SHEET	2 / 10



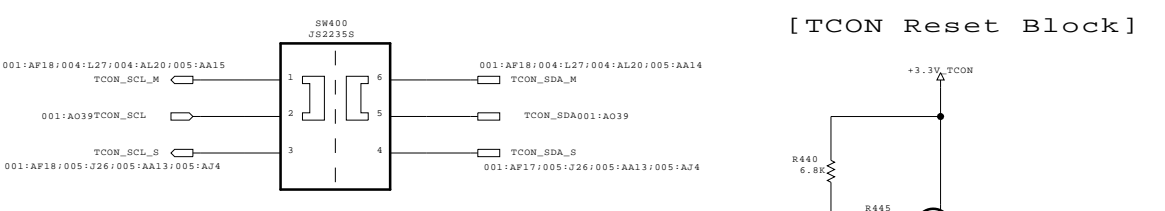
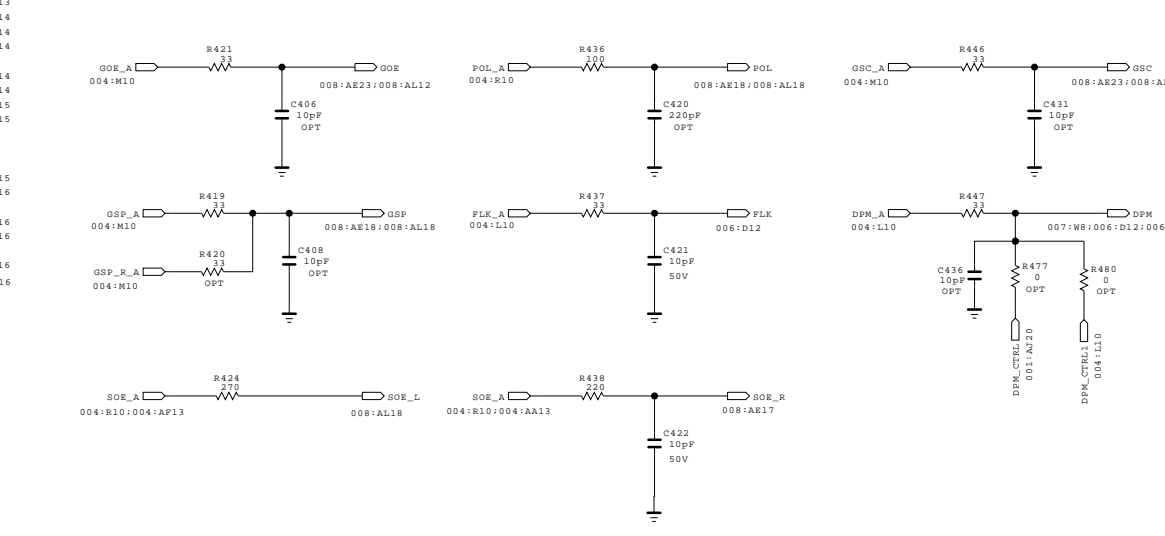
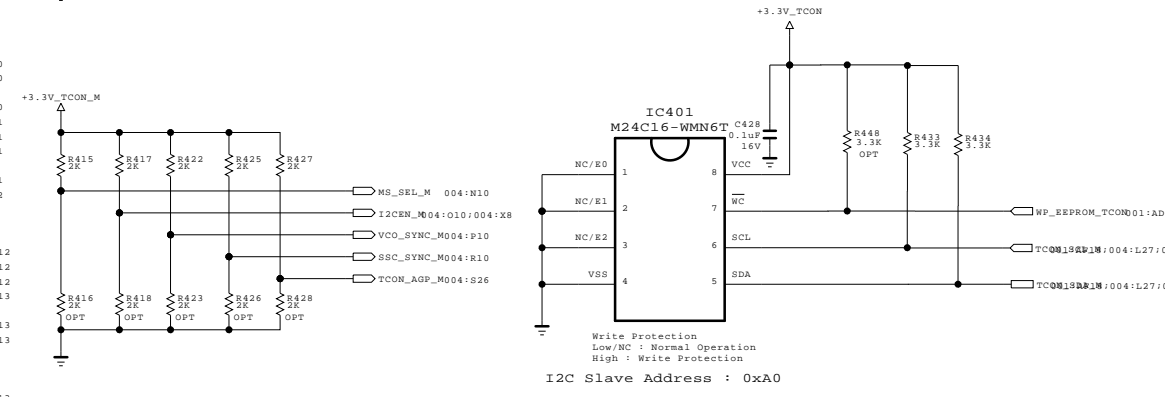
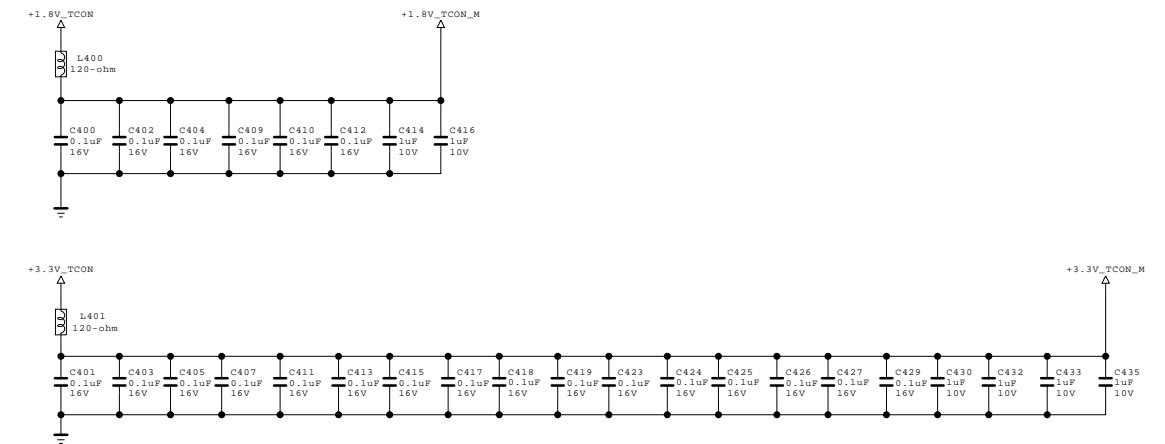
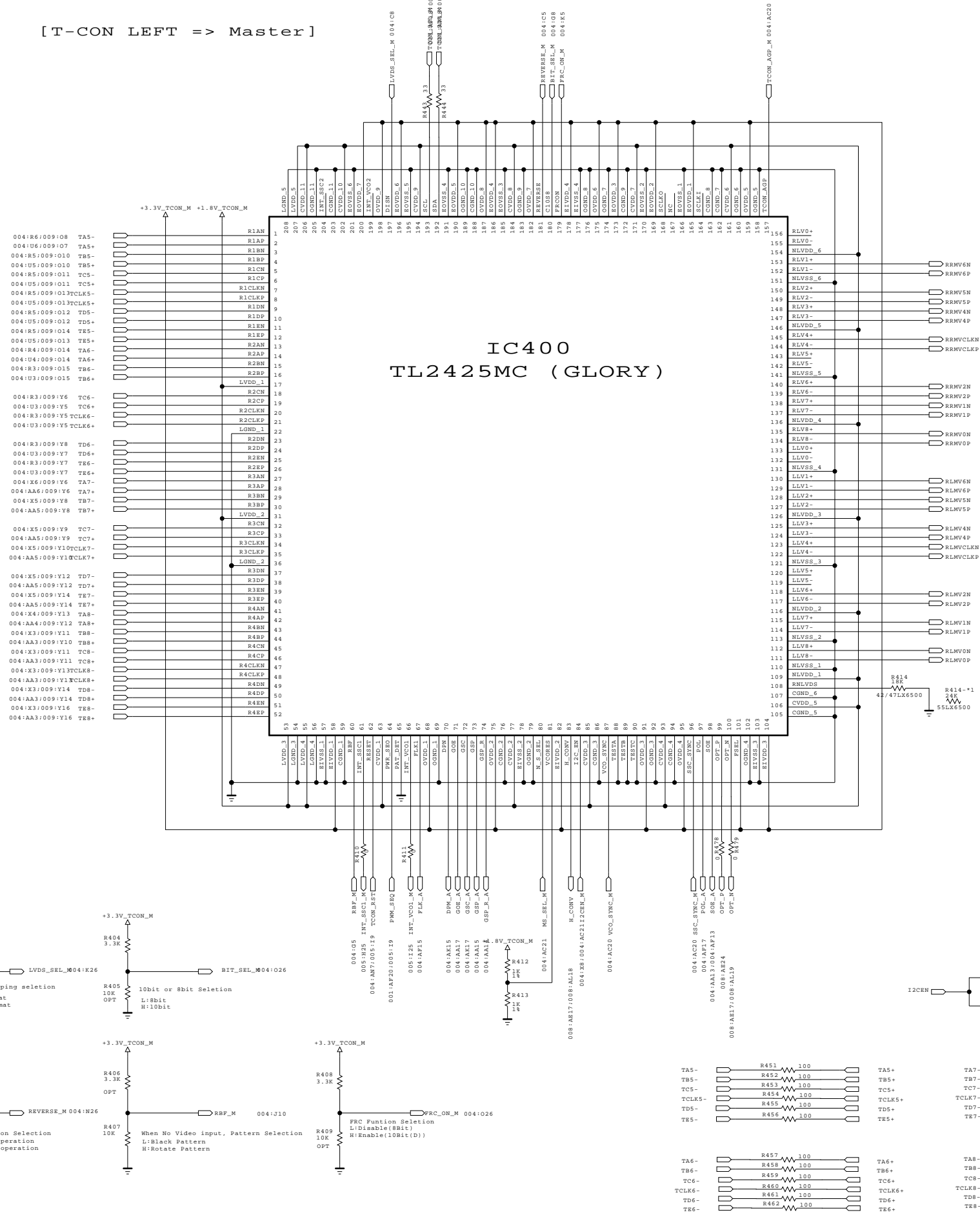
THE Δ SYMBOL MARK OF THIS SCHEMATIC DIAGRAM INCORPORATES SPECIAL FEATURES IMPORTANT FOR PROTECTION FROM X-RADIATION. FILRE AND ELECTRICAL SHOCK HAZARDS, WHEN SERVICING IF IS ESSENTIAL THAT ONLY MANUFACTURES SPECIFIED PARTS BE USED FOR THE CRITICAL COMPONENTS IN THE Δ SYMBOL MARK OF THE SCHEMATIC.

SECRET
LGElectronics

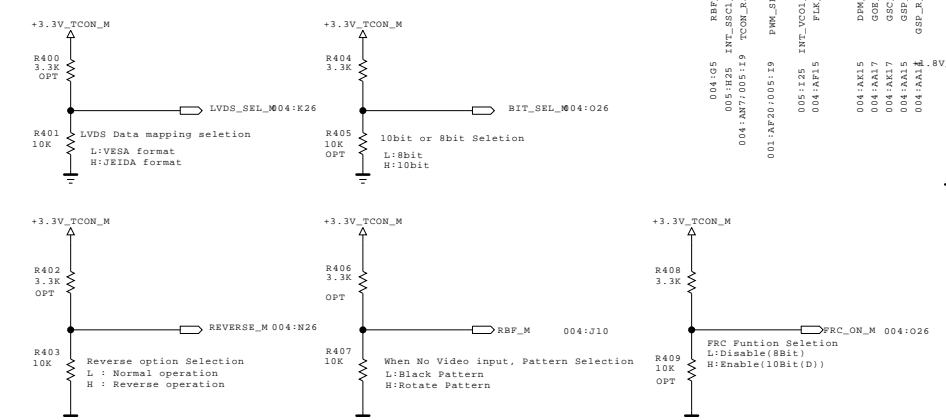
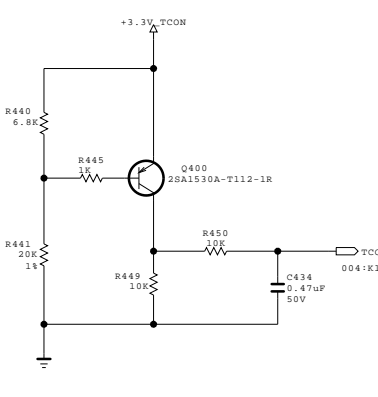


MODEL	3D + 240 FRC + TCON BOARD	DATE	2009. 11. 13
BLOCK	FRC & FPGA Power Block	SHEET	3 / 10

[T-CON LEFT => Master]



[TCON Reset Block]



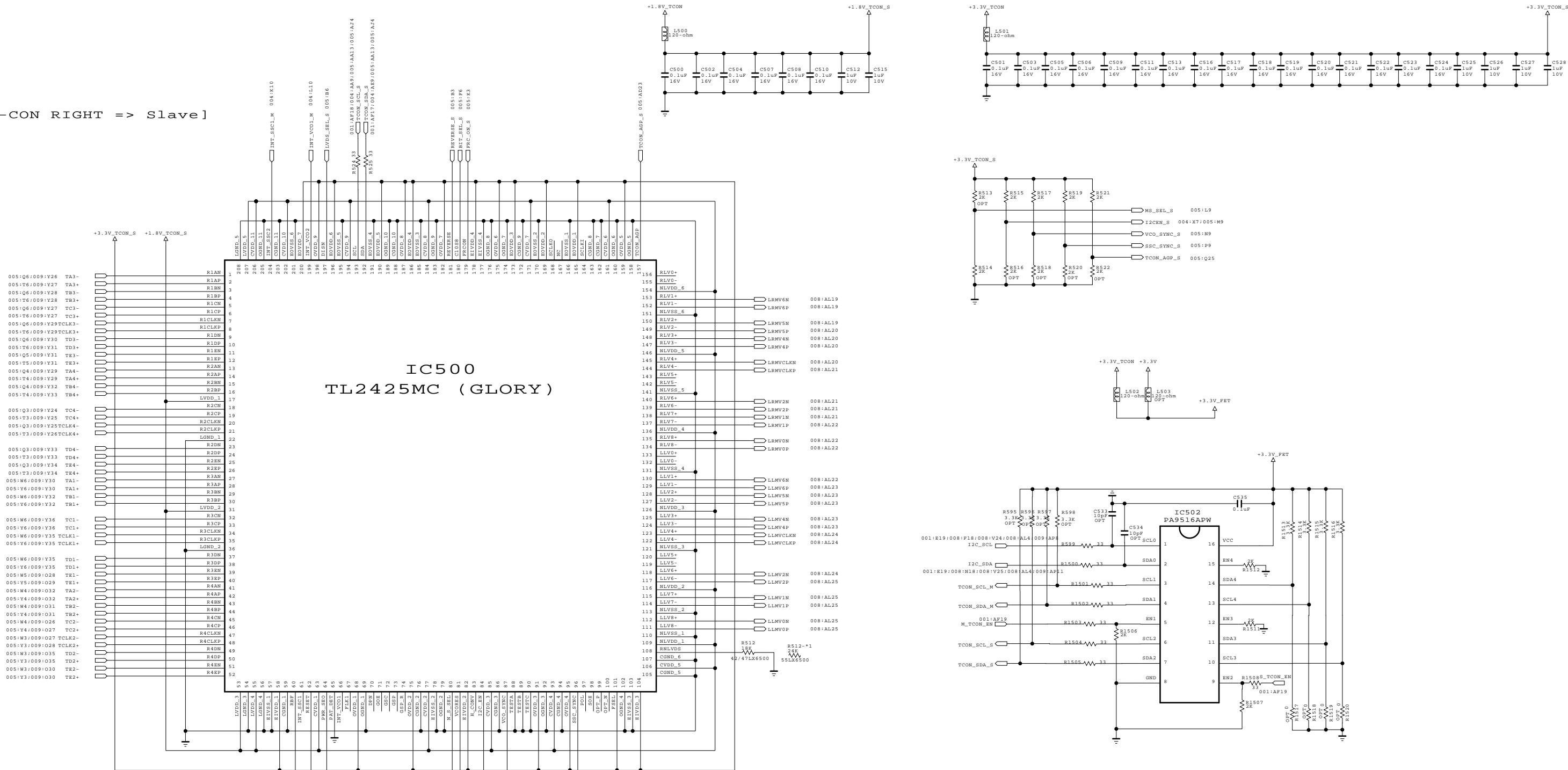
THE \triangle SYMBOL MARK OF THIS SCHEMATIC DIAGRAM INCORPORATES SPECIAL FEATURES IMPORTANT FOR PROTECTION FROM X-RADIATION. FILRE AND ELECTRICAL SHOCK HAZARDS, WHEN SERVICING IF IS ESSENTIAL THAT ONLY MANUFACTURES SPECIFIED PARTS BE USED FOR THE CRITICAL COMPONENTS IN THE \triangle SYMBOL MARK OF THE SCHEMATIC.

SECRET
LGElectronics

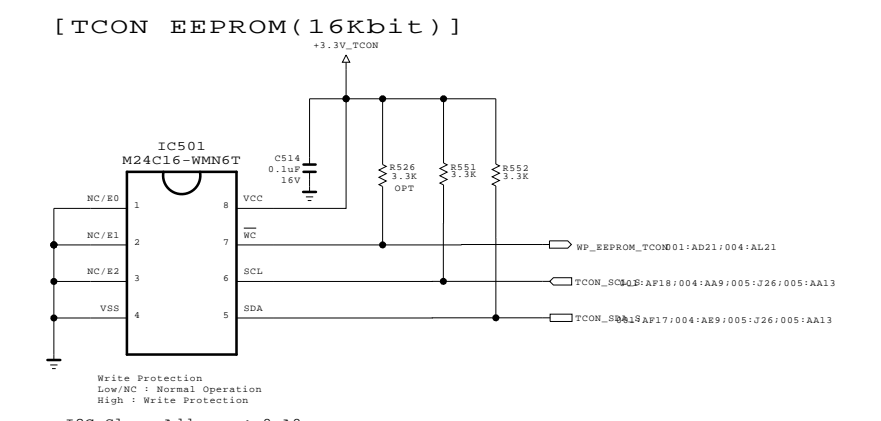
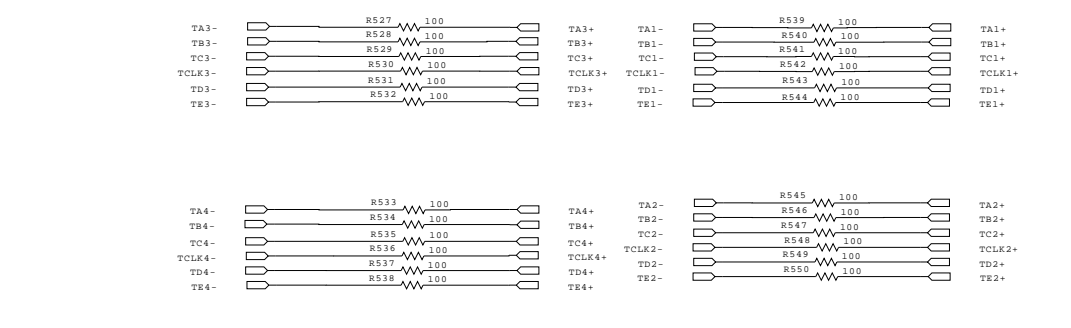
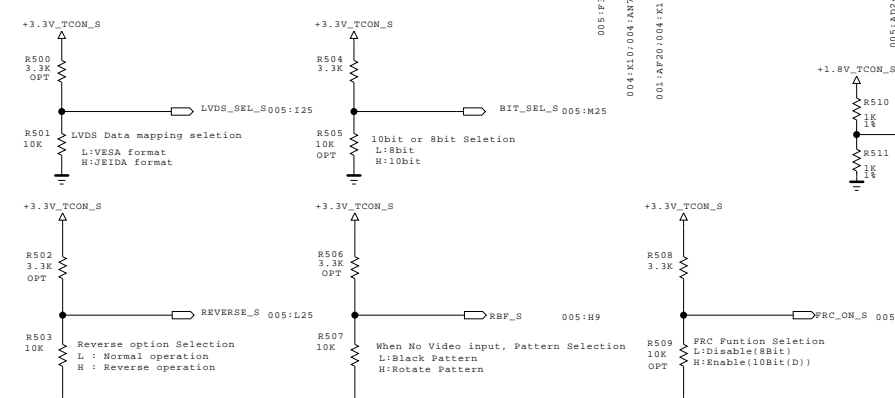


MODEL	3D + 240 FRC + TCON BOARD	DATE	2009. 11. 13
BLOCK	240Hz T-Con (Master, Left)	SHEET	4 / 10

[T-CON RIGHT => Slave]



IC500
TL2425MC (GLORY)



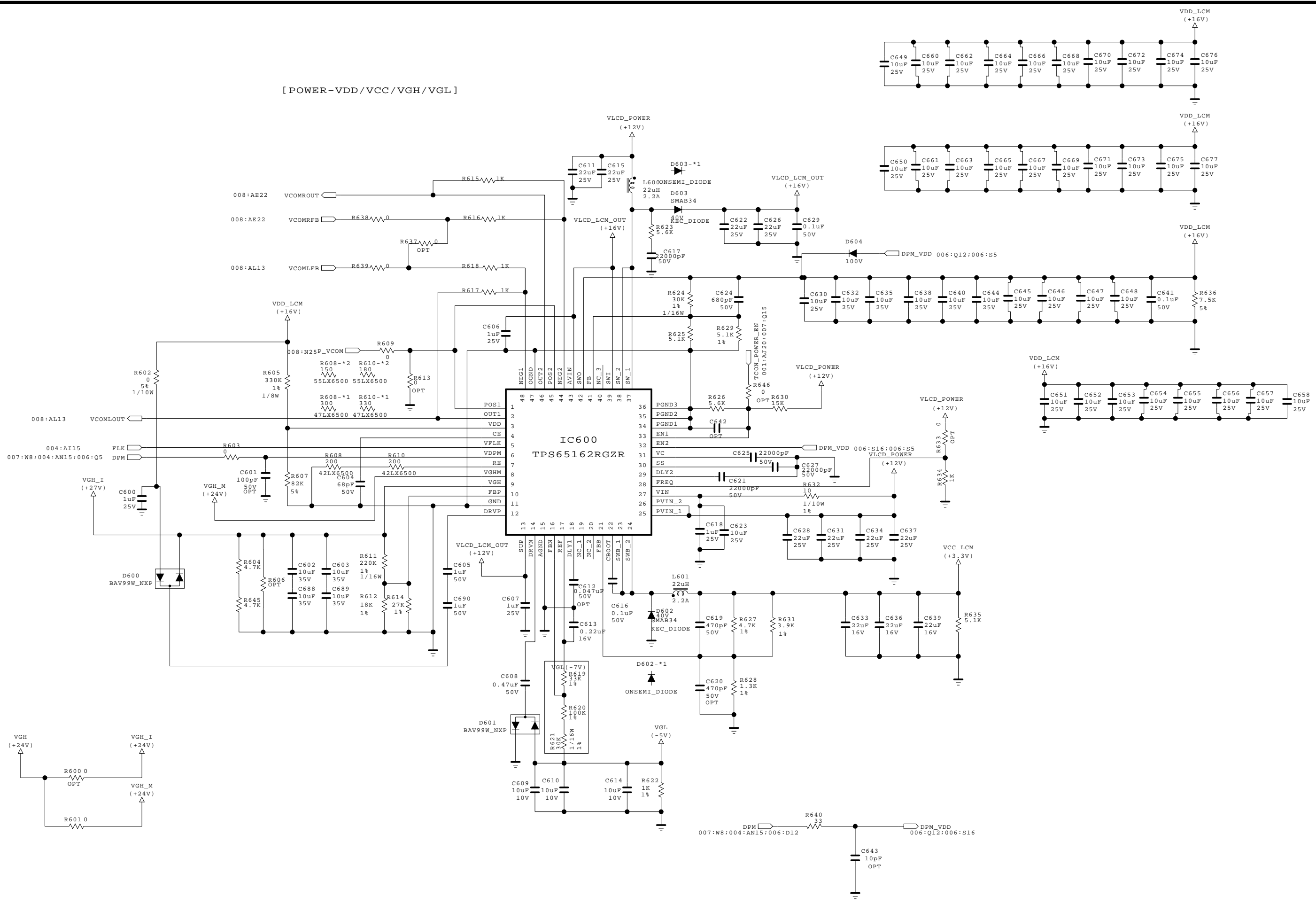
THE Δ SYMBOL MARK OF THIS SCHEMATIC DIAGRAM INCORPORATES SPECIAL FEATURES IMPORTANT FOR PROTECTION FROM X-RADIATION. FILRE AND ELECTRICAL SHOCK HAZARDS, WHEN SERVICING IF IS ESSENTIAL THAT ONLY MANUFACTURES SPECIFIED PARTS BE USED FOR THE CRITICAL COMPONENTS IN THE Δ SYMBOL MARK OF THE SCHEMATIC.

SECRET
LGElectronics



MODEL	3D + 240 FRC + TCON BOARD	DATE	2009. 11. 13
BLOCK	240Hz T-Con(Slave,Right)	SHEET	5 / 10

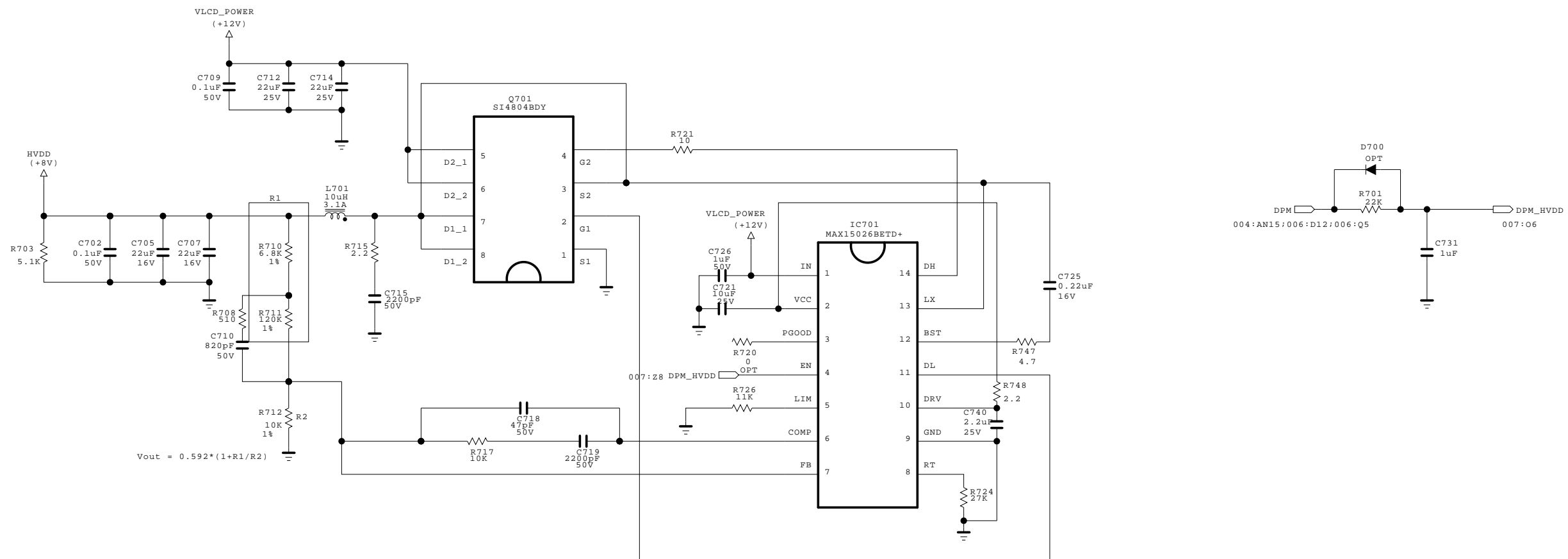
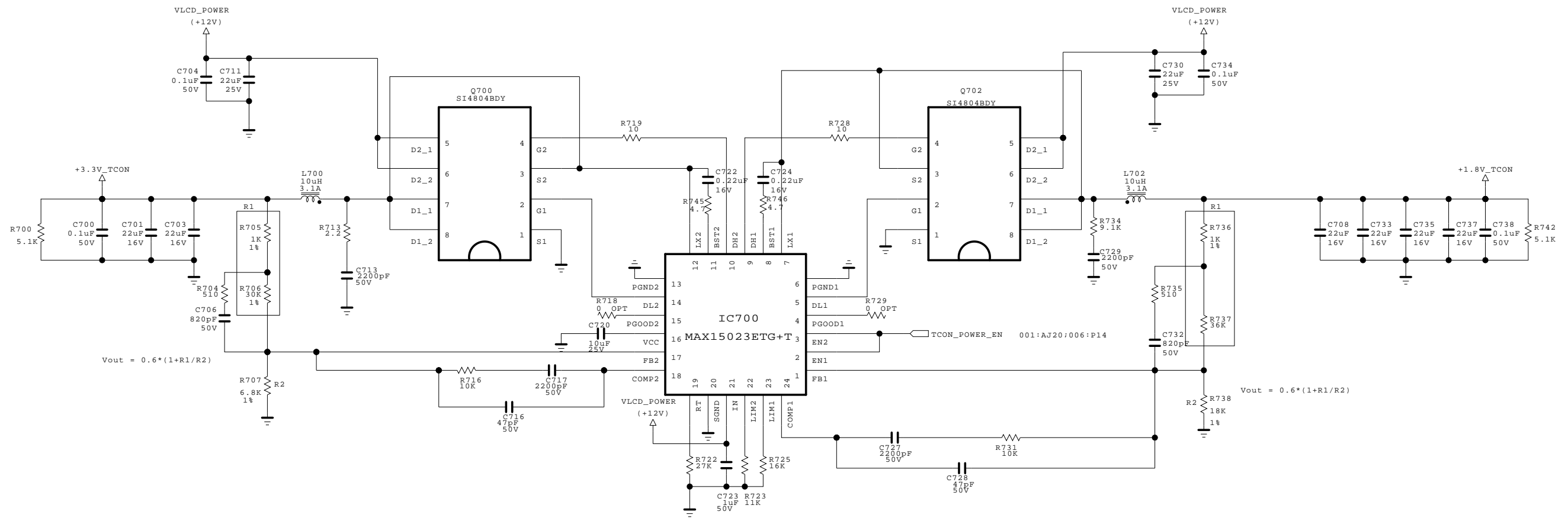
[POWER-VDD/VCC/VGH/VGL]



THE ⚠ SYMBOL MARK OF THIS SCHEMATIC DIAGRAM INCORPORATES SPECIAL FEATURES IMPORTANT FOR PROTECTION FROM X-RADIATION. FILRE AND ELECTRICAL SHOCK HAZARDS, WHEN SERVICING IF IS ESSENTIAL THAT ONLY MANUFACTURES SPECIFIED PARTS BE USED FOR THE CRITICAL COMPONENTS IN THE ⚠ SYMBOL MARK OF THE SCHEMATIC.

SECRET	
LGElectronics	

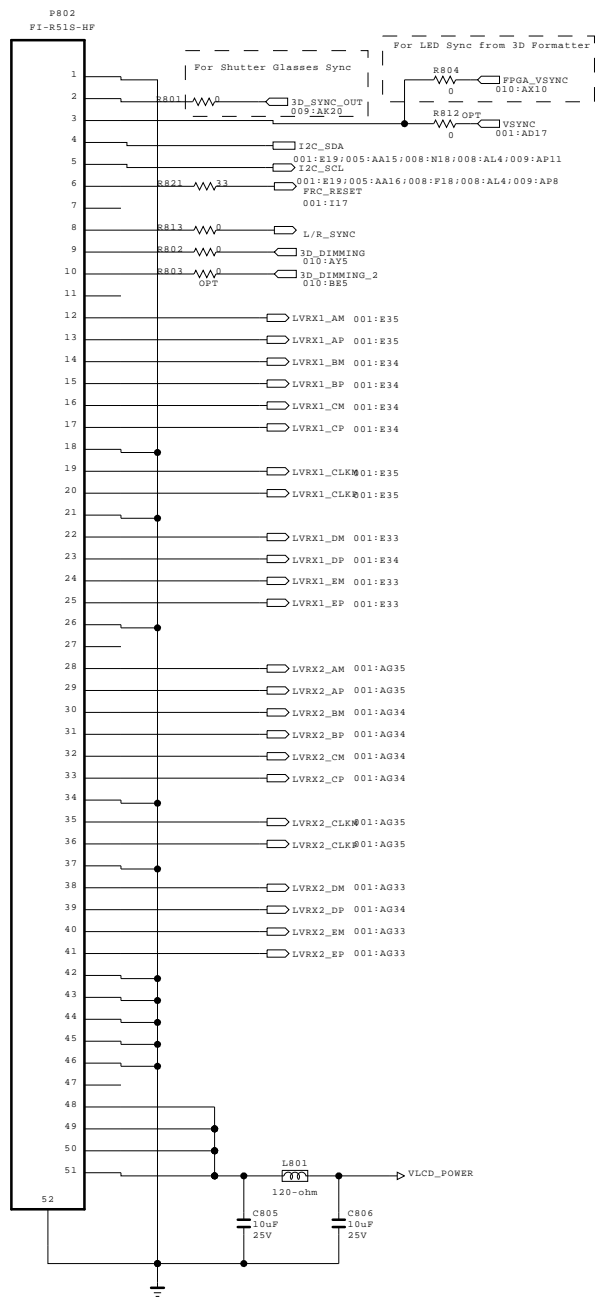
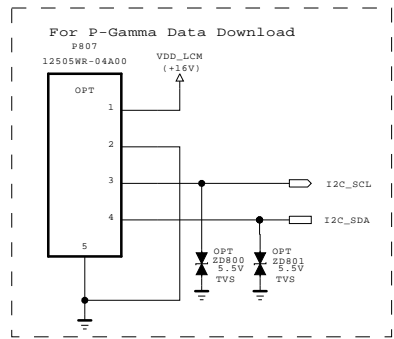
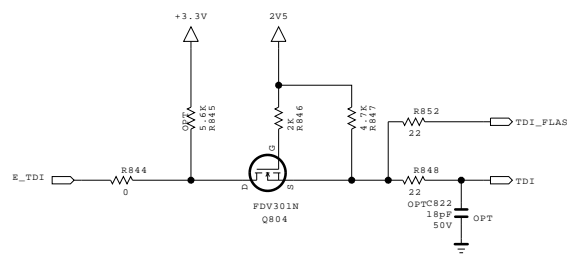
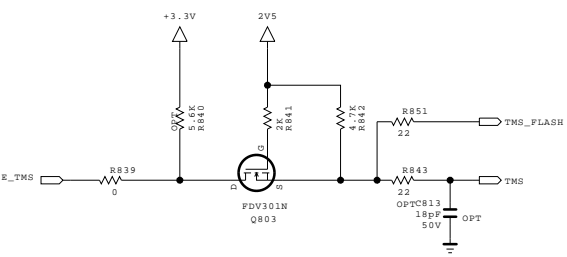
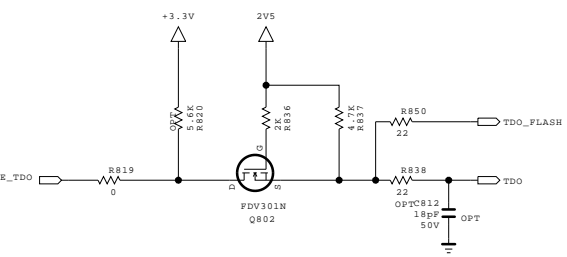
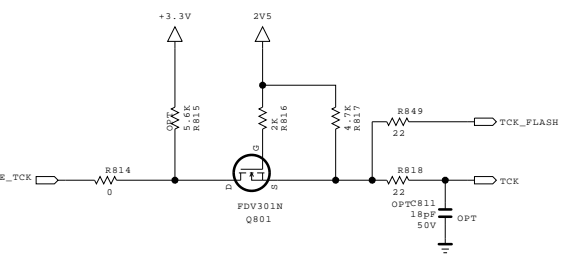
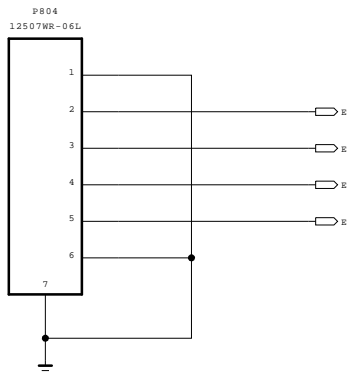
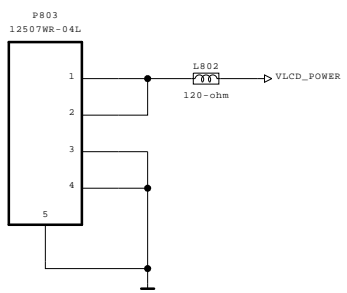
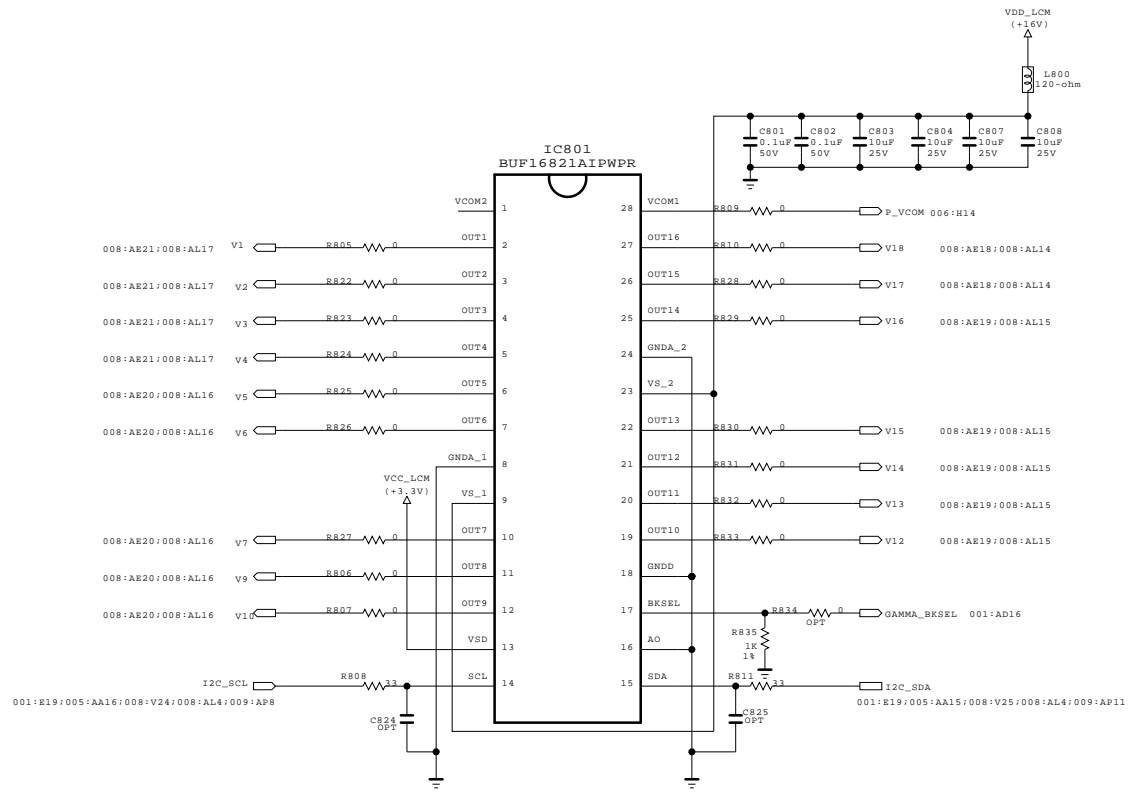
MODEL	3D + 240 FRC + TCON BOARD	DATE	2009. 11. 13
BLOCK	Power Block (TCON)	SHEET	6 / 10



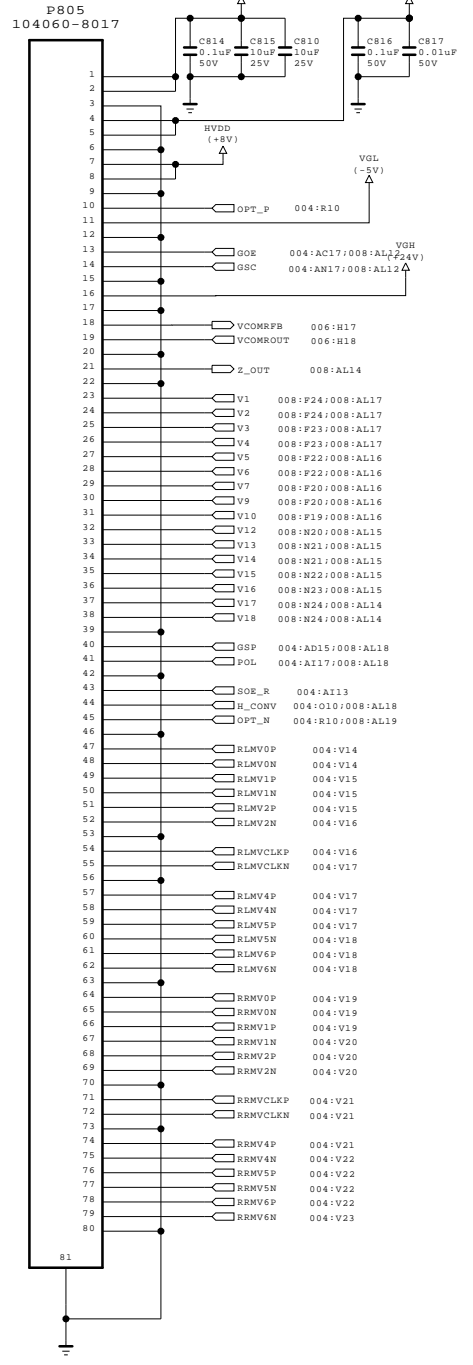
THE SYMBOL MARK OF THIS SCHEMATIC DIAGRAM INCORPORATES SPECIAL FEATURES IMPORTANT FOR PROTECTION FROM X-RADIATION. FILRE AND ELECTRICAL SHOCK HAZARDS, WHEN SERVICING IF IS ESSENTIAL THAT ONLY MANUFACTURES SPECIFIED PARTS BE USED FOR THE CRITICAL COMPONENTS IN THE SYMBOL MARK OF THE SCHEMATIC.

SECRET
LG Electronics

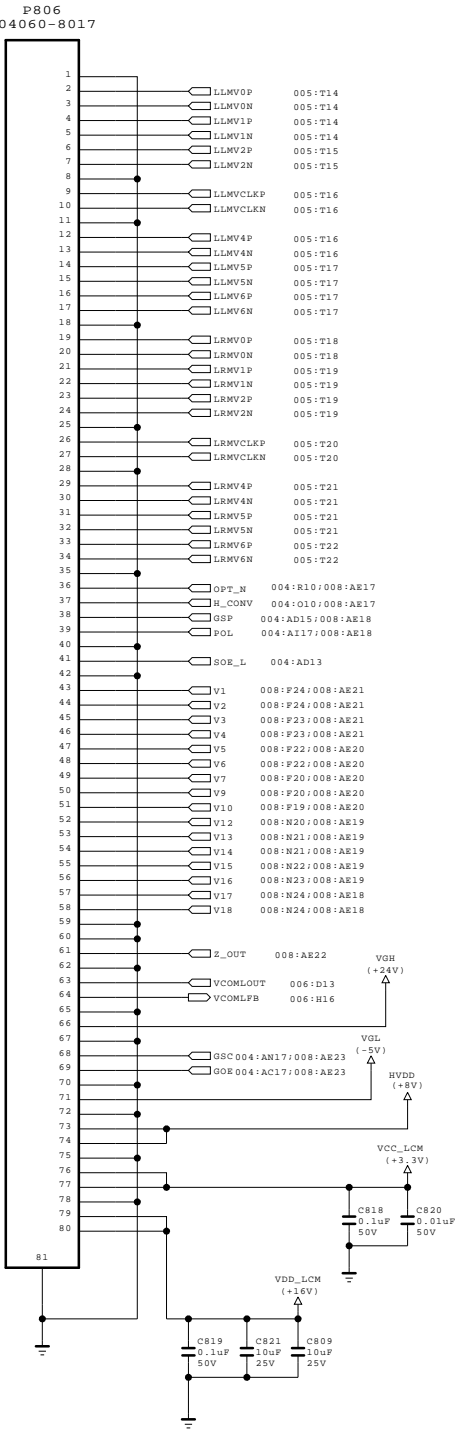
MODEL	3D + 240 FRC + TCON BOARD	DATE	2009. 11. 13
BLOCK	Power Block (TCON)	SHEET	7 / 10



[RIGHT FFC CONNECTOR]



[LEFT FFC CONNECTOR]

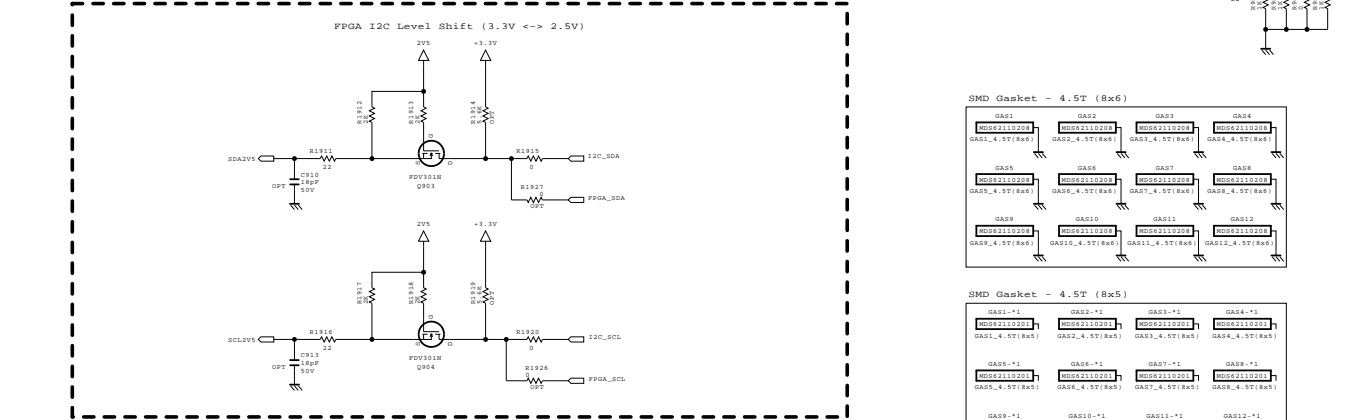
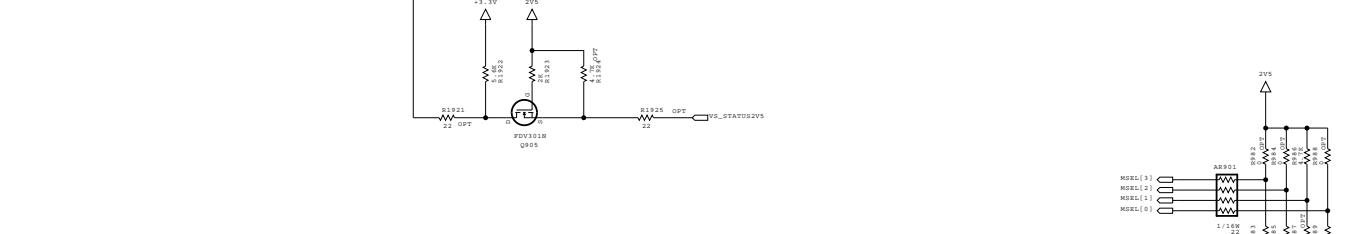
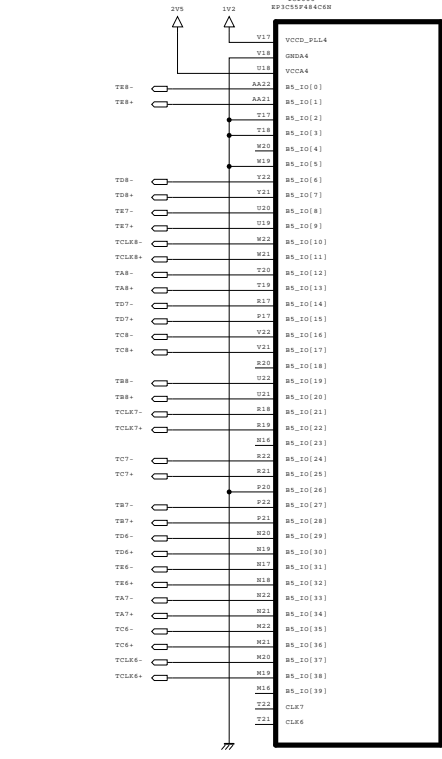
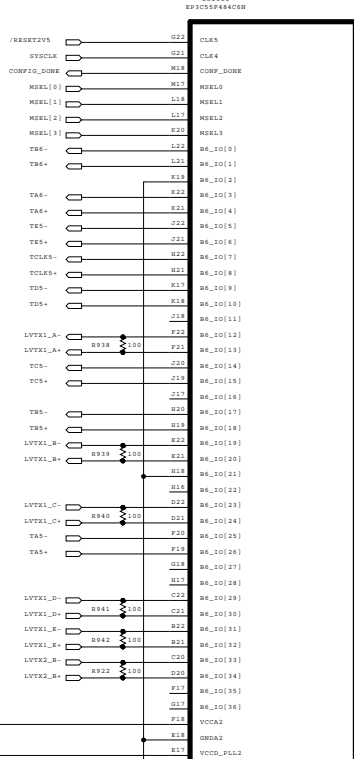
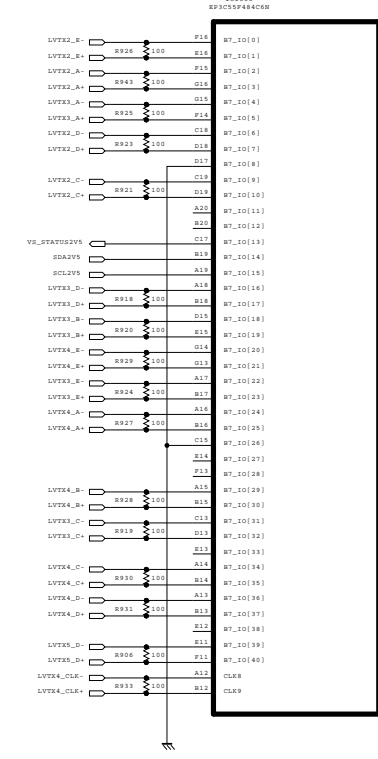
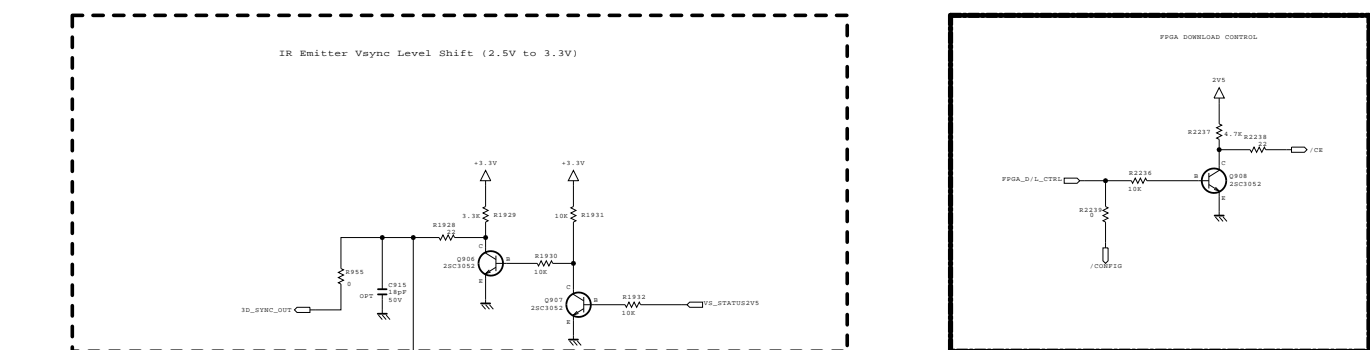
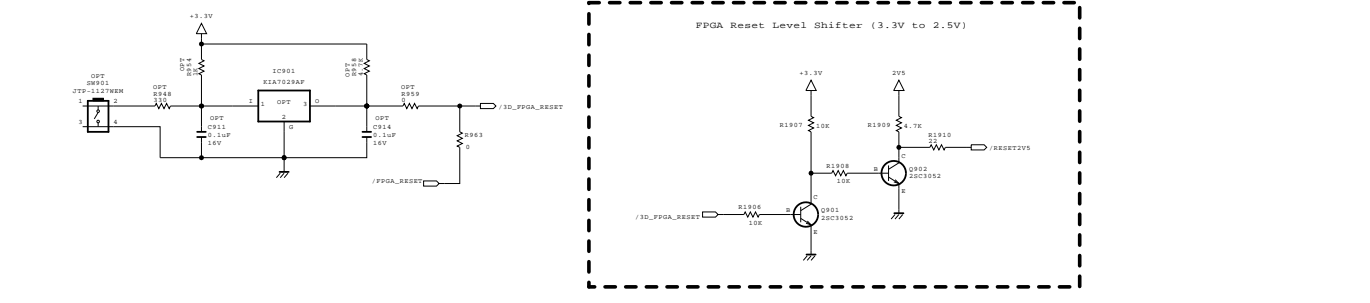
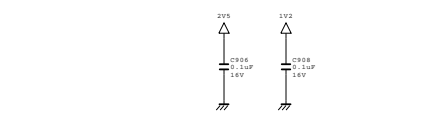
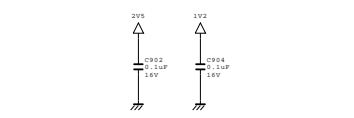
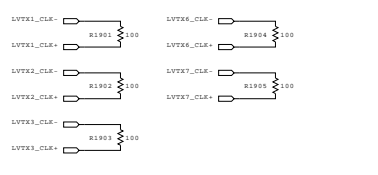
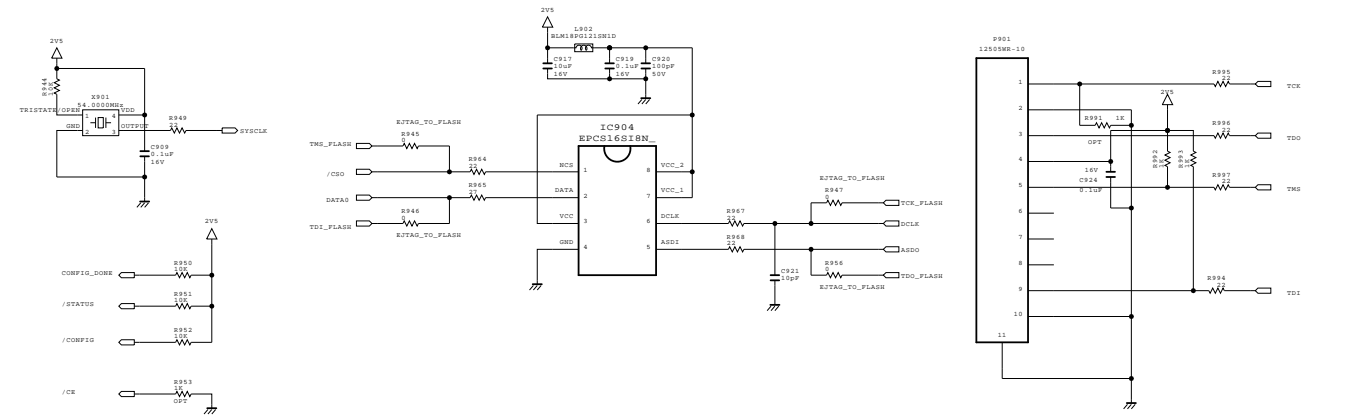
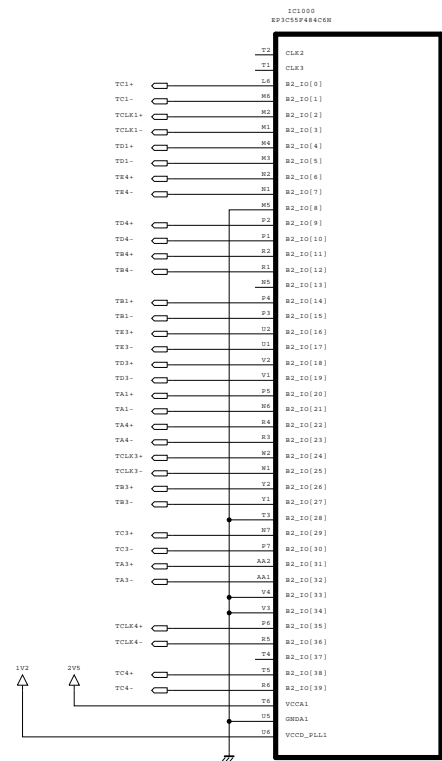
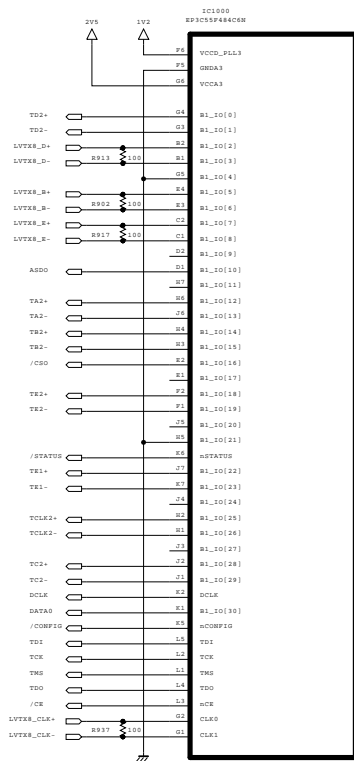
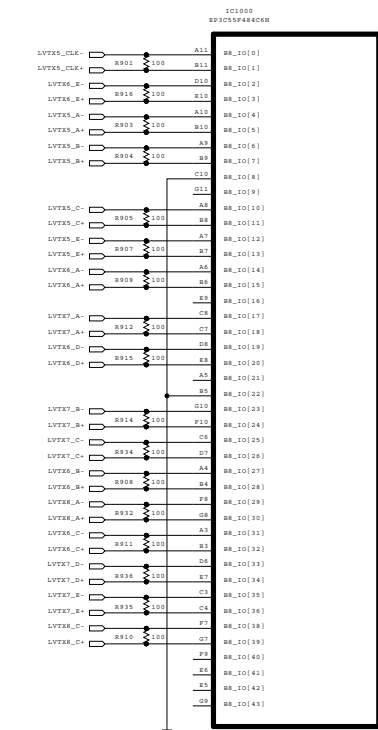


THE Δ SYMBOL MARK OF THIS SCHEMATIC DIAGRAM INCORPORATES SPECIAL FEATURES IMPORTANT FOR PROTECTION FROM X-RADIATION. FILRE AND ELECTRICAL SHOCK HAZARDS, WHEN SERVICING IF IS ESSENTIAL THAT ONLY MANUFACTURES SPECIFIED PARTS BE USED FOR THE CRITICAL COMPONENTS IN THE Δ SYMBOL MARK OF THE SCHEMATIC.

SECRET
LGElectronics



MODEL	3D + 240 FRC + TCON BOARD	DATE	2009. 11. 13
BLOCK	Interface	SHEET	8 / 10

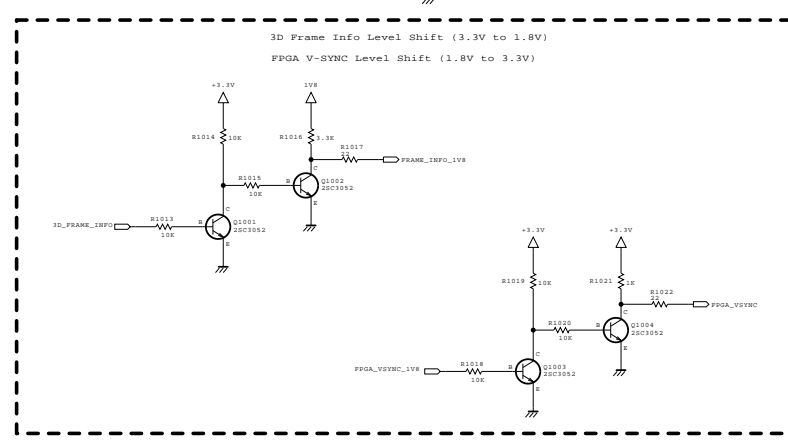
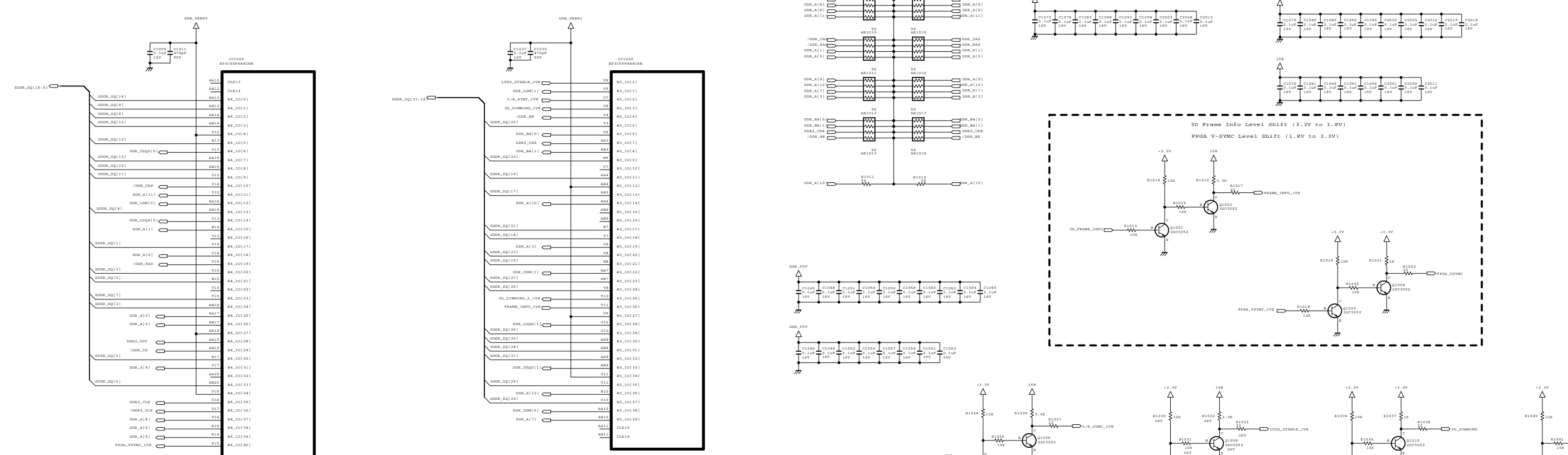
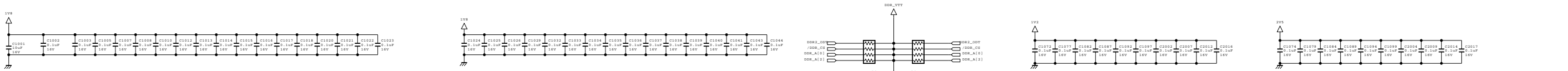
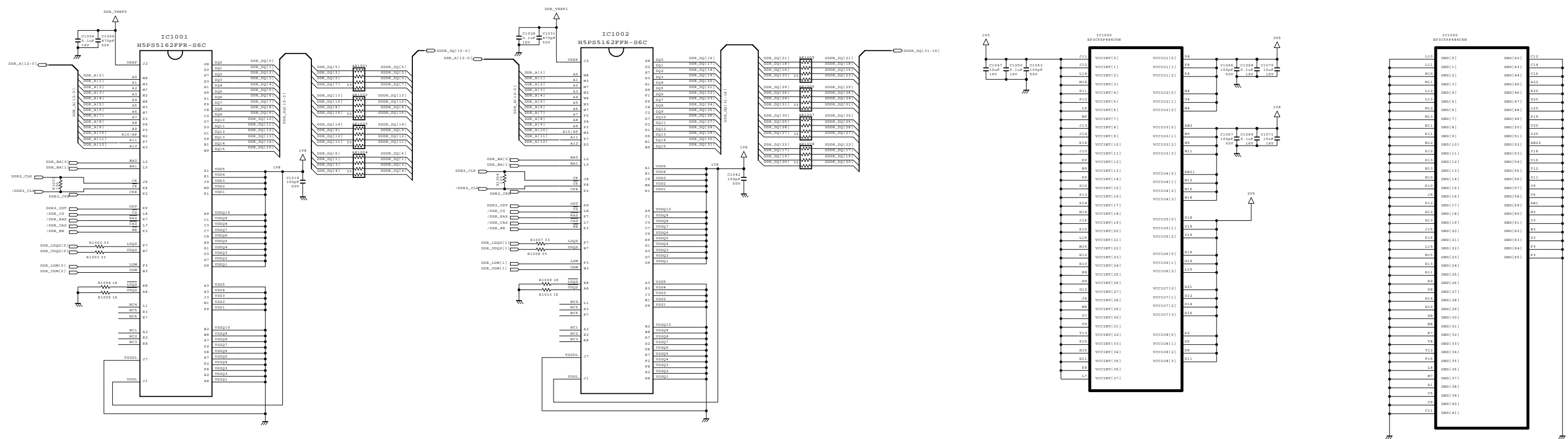


THE SYMBOL MARK OF THIS SCHEMATIC DIAGRAM INCORPORATES SPECIAL FEATURES IMPORTANT FOR PROTECTION FROM X-RADIATION. FILRE AND ELECTRICAL SHOCK HAZARDS, WHEN SERVICING IF IS ESSENTIAL THAT ONLY MANUFACTURES SPECIFIED PARTS BE USED FOR THE CRITICAL COMPONENTS IN THE SYMBOL MARK OF THE SCHEMATIC.

SECRET
LGElectronics

LG ELECTRONICS

MODEL	3D + 240 PRC + TCON BOARD	DATE	2009. 11. 13
BLOCK	RP3CS_C6N (PPGA IC)	SHEET	9 / 10



THE SYMBOL MARK OF THIS SCHEMATIC DIAGRAM INCORPORATES SPECIAL FEATURES IMPORTANT FOR PROTECTION FROM X-RADIATION. FILRE AND ELECTRICAL SHOCK HAZARDS, WHEN SERVICING IF IS ESSENTIAL THAT ONLY MANUFACTURERS SPECIFIED PARTS BE USED FOR THE CRITICAL COMPONENTS IN THE SYMBOL MARK OF THE SCHEMATIC.

SECRET
LGElectronics



MODEL	3D + 240 PRC + TCON BOARD	DATE	2009. 11. 13
BLOCK	DDR2	SHEET	10 / 10

