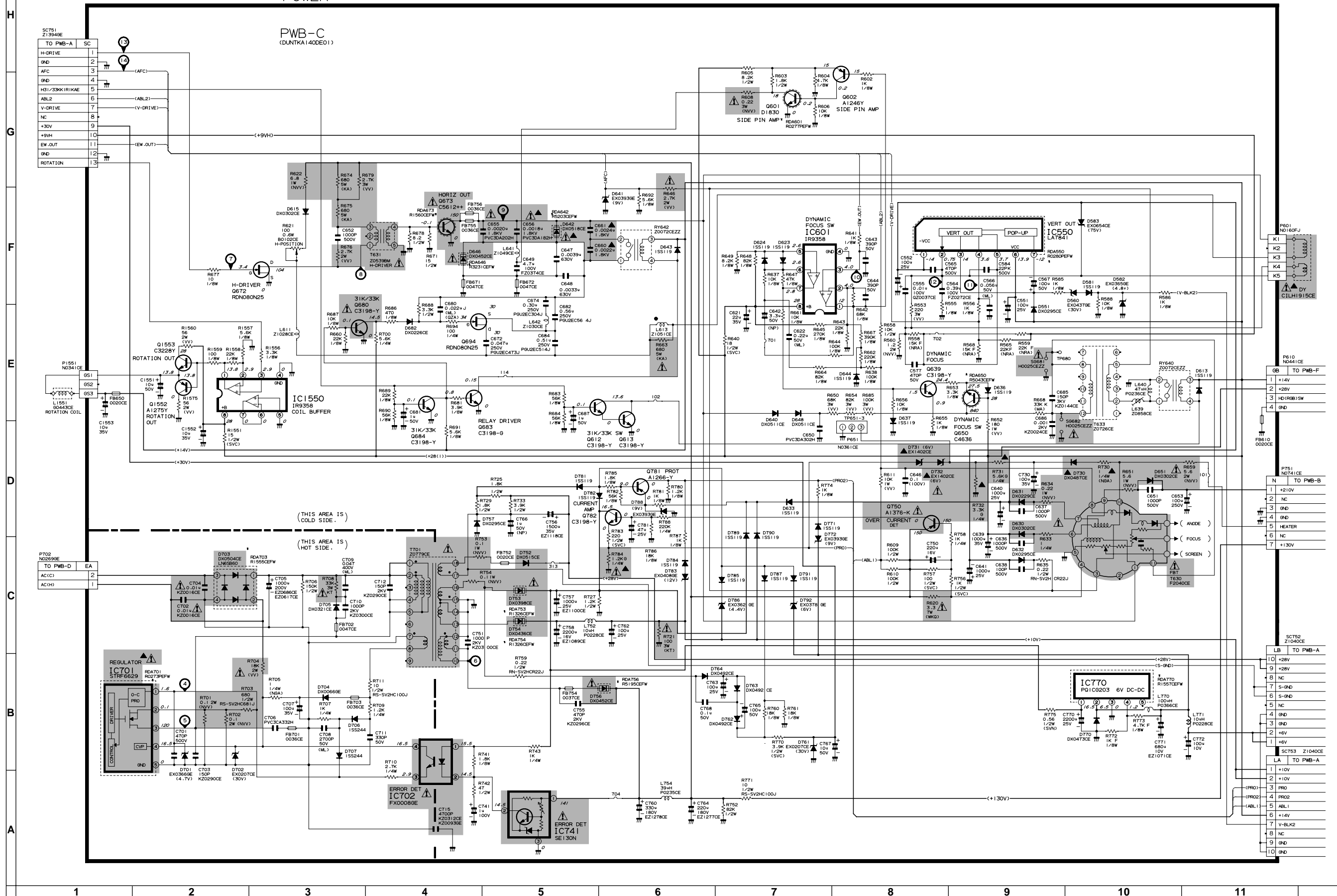


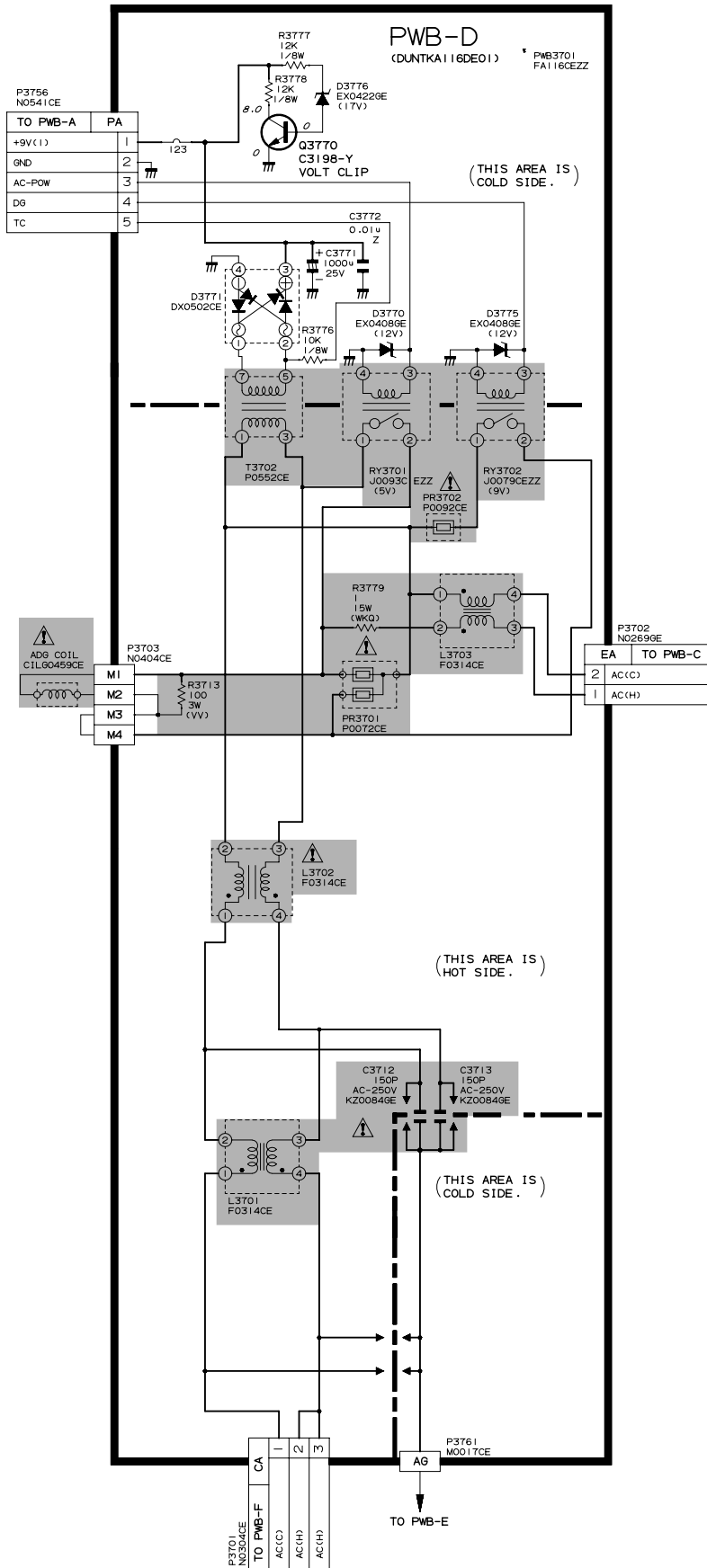
# SCHEMATIC DIAGRAM: POWER Unit

POWER



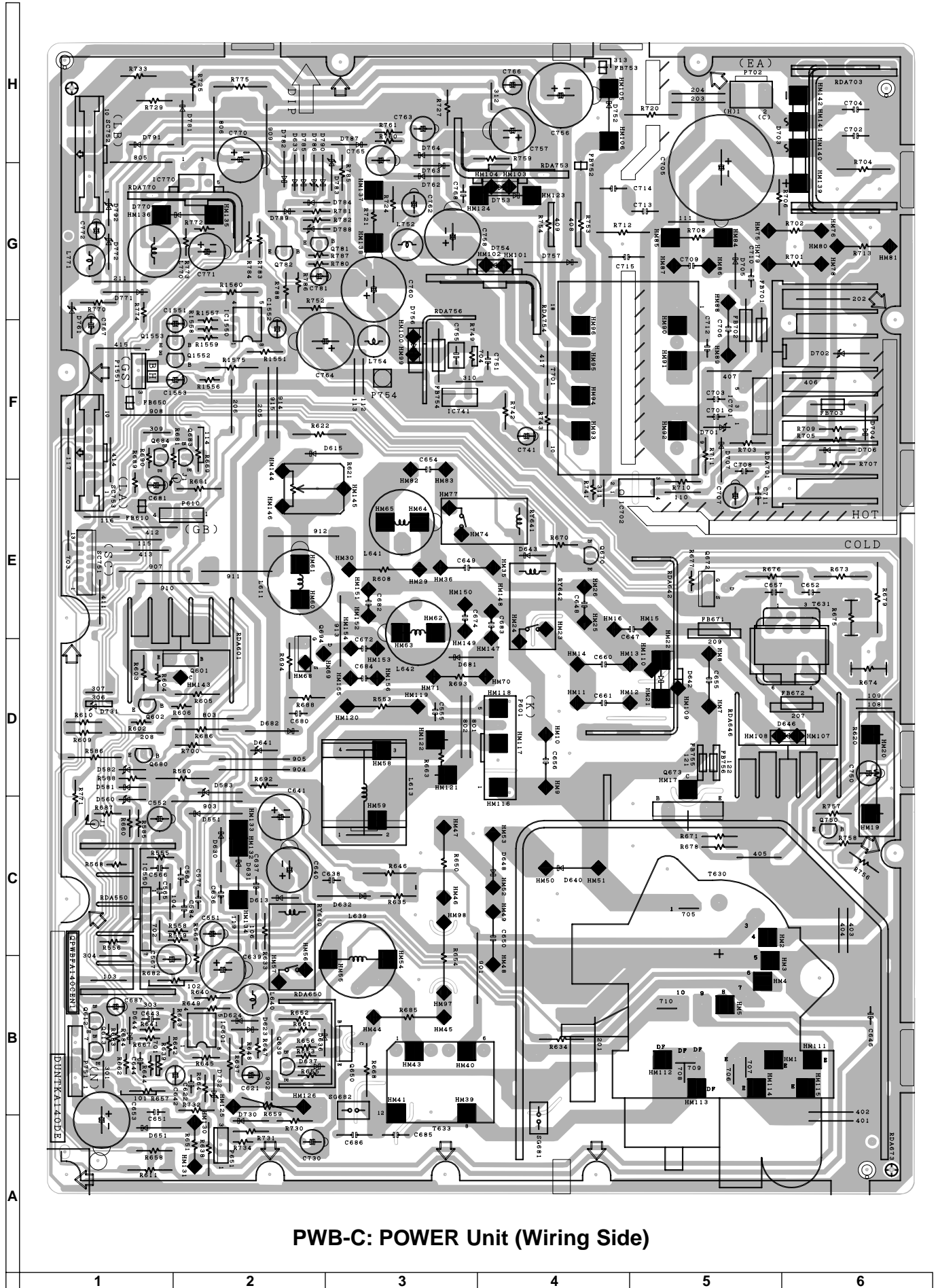
# SCHEMATIC DIAGRAM: AC FILTER Unit

## AC FILTER



H  
G  
F  
E  
D  
C  
B  
A

1 2 3 4 5 6



PWB-C: POWER Unit (Wiring Side)