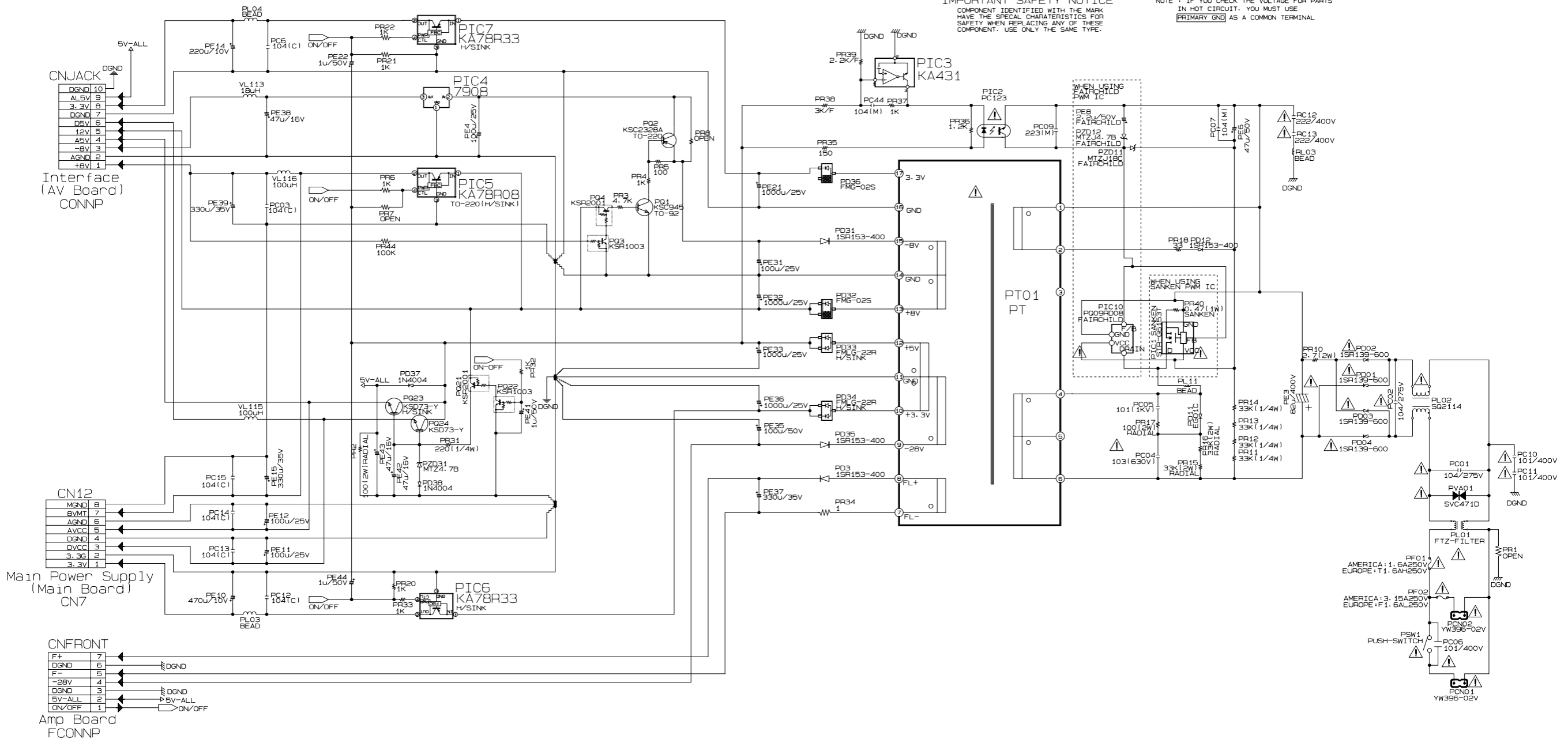


IMPORTANT SAFETY NOTICE

COMPONENT IDENTIFIED WITH THE MARK HAVE THE SPECIAL CHARACTERISTICS FOR SAFETY WHEN REPLACING ANY OF THESE COMPONENT. USE ONLY THE SAME TYPE.

NOTE : IF YOU CHECK THE VOLTAGE FOR PARTS IN HOT CIRCUIT, YOU MUST USE **PRIMARY GND** AS A COMMON TERMINAL



CNJACK
Interface (AV Board)
CONN

DGND	10
AL5V	9
3.3V	8
DGND	7
D5V	6
12V	5
A5V	4
-8V	3
AGND	2
+8V	1

CN12
Main Power Supply
(Main Board)
CN7

MGND	8
EVMT	7
AGND	6
AVCC	5
DGND	4
DVCC	3
3.3G	2
3.3V	1

CNFRONT
Amp Board
FCONN

F+	7
DGND	6
F-	5
-28V	4
DGND	3
5V-ALL	2
ON/OFF	1