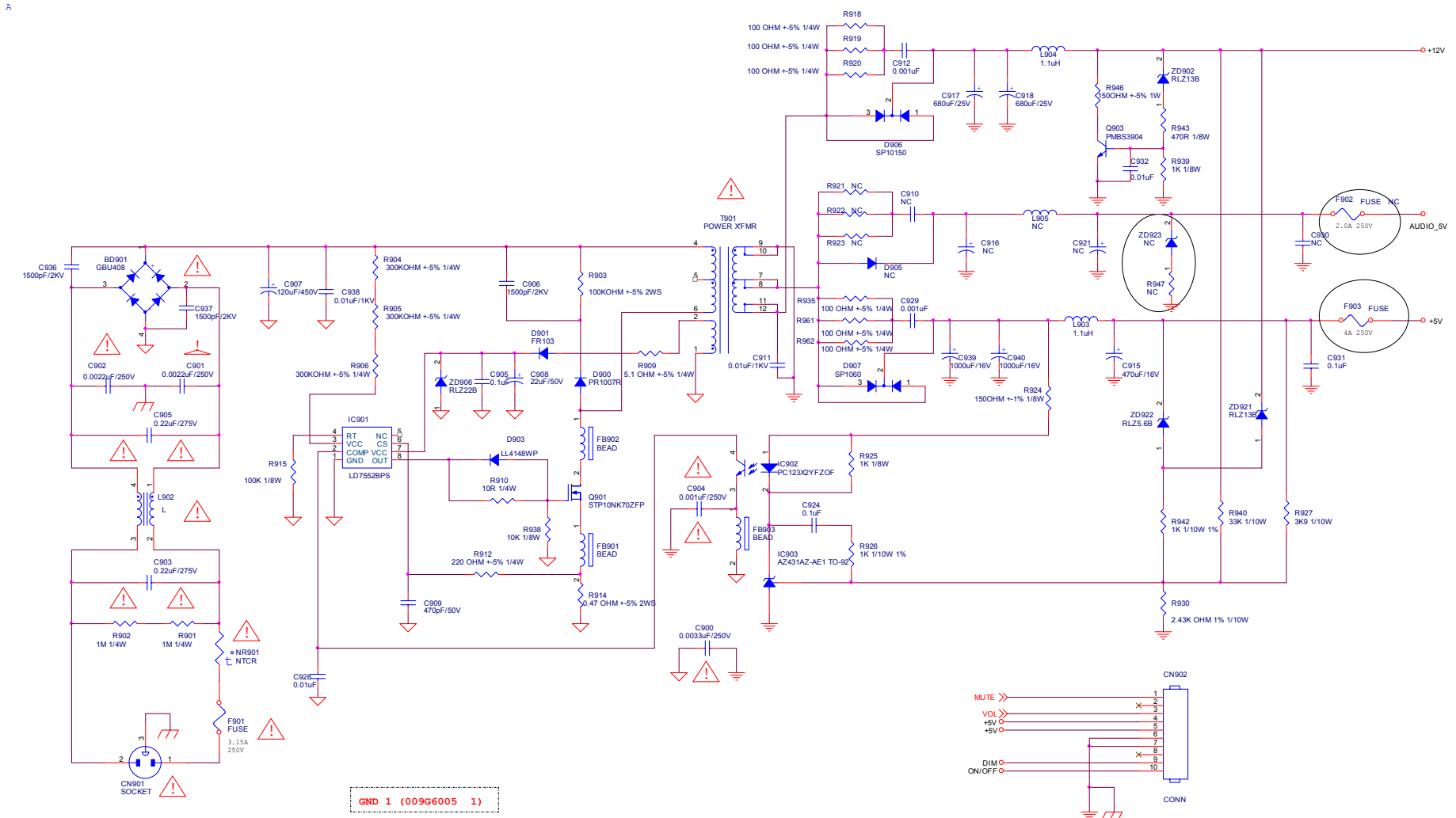
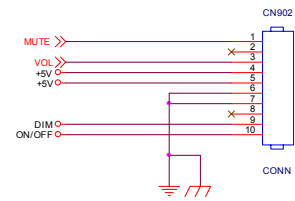


7.2 Power Board

715G2655 2 6403

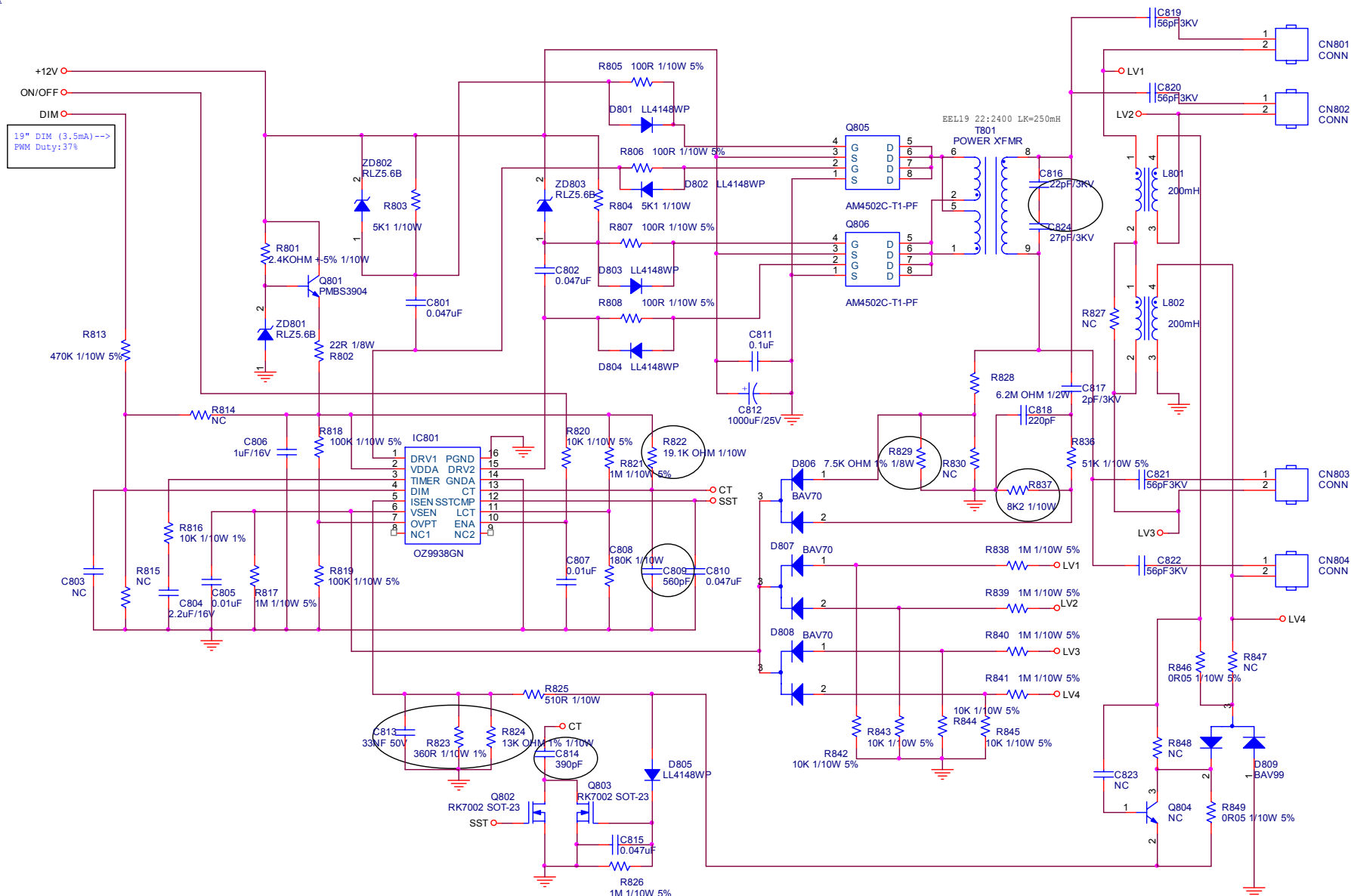


- GND 1 (009G6005 1)
- GND 2 (009G6005 1)
- HS5 with Heat-sink (90G6064 1)
- HS1 with Heat-sink (090G6263 1)
- HS2 with Heat-sink (090G6263 1)



TP V (Top Victory Electronics Co., Ltd.)	OEM MODEL	HP L1950 L1750	Size	A
話筒瓜製取	G2655-2-X-X-1-080121	TPV MODEL	Rev	2.0
Key Component	02_POWER	PCB NAME	715G2655-2	
Date	Monday, January 21, 2008	Sheet	2 of 3	修

A



TPV (Top Victory Electronics Co., Ltd.)	OEM MODEL	HP L1950 L1750	Size	A
括隔瓜網	G2655-2-X-X-1-080121	TPV MODEL	TPV MODEL	Rev
Key Component	03.INVERTER O29938	PCB NAME	715G2655-2	称爹
Date	Monday, January 21, 2008	Sheet	3 of 3	