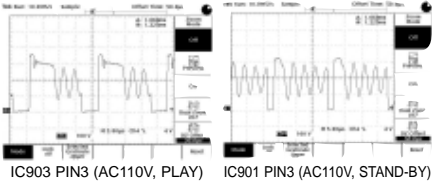


POWER(SMPS) CIRCUIT DIAGRAM

IMPORTANT SAFETY NOTICE

WHEN SERVICING THIS CHASSIS, UNDER NO CIRCUMSTANCES SHOULD THE ORIGINAL DESIGN BE MODIFIED OR ALTERED WITHOUT PERMISSION FROM THE ZENITH ELECTRONICS CORPORATION. ALL COMPONENTS SHOULD BE REPLACED ONLY WITH TYPES IDENTICAL TO THOSE IN THE ORIGINAL CIRCUIT SPECIAL COMPONENTS ARE SHADED ON THE SCHEMATIC FOR EASY IDENTIFICATION. THIS CIRCUIT DIAGRAM MAY OCCASIONALLY DIFFER FROM THE ACTUAL CIRCUIT USED. THIS WAY, IMPLEMENTATION OF THE LATEST SAFETY AND PERFORMANCE IMPROVEMENT CHANGES INTO THE SET IS NOT DELAYED UNTIL THE NEW SERVICE LITERATURE IS PRINTED.

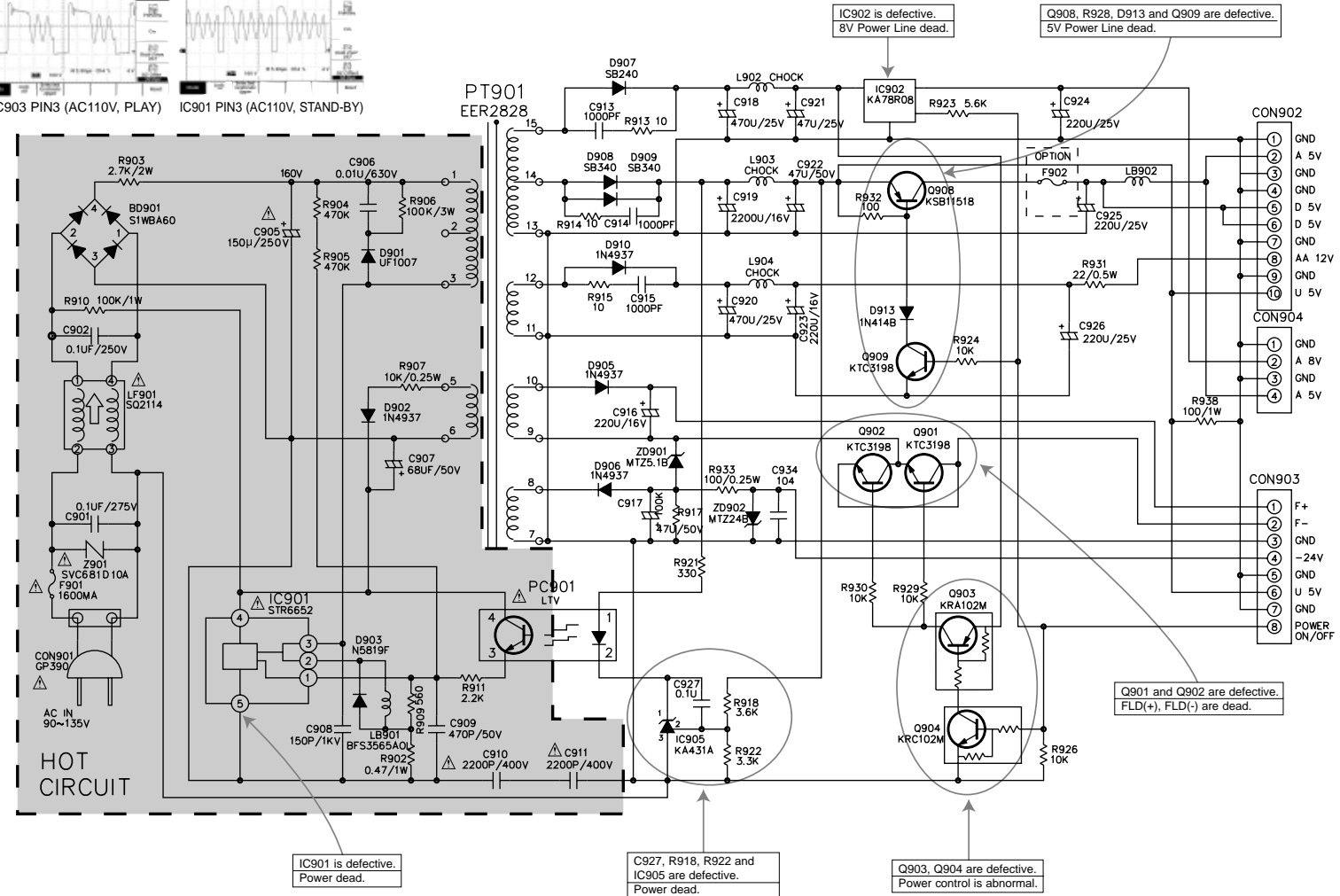
NOTE:
1. Shaded parts are critical for safety. Replace only with specified part number.
2. Voltages are DC-measured with a digital voltmeter during Play mode.



LOCATION GUIDE

BD901	B5	IC905	E2
C901	A3	L902	E6
C902	A4	L903	E5
C903	B3	L904	E5
C904	B3	LB901	C2
C905	B5	LB902	G5
C906	C5	LF901	A4
C907	C4	PC901	D3
C908	C2	PT901	C6
C909	C2	Q901	F4
C910	D2	Q902	F4
C911	D2	Q903	F3
C913	D6	Q904	F2
C914	D5	Q908	F5
C915	D5	Q909	F4
C916	D4	R901	B4
C917	D3	R902	C2
C918	E6	R903	A5
C919	E5	R904	C5
C920	E4	R905	C5
C921	E6	R906	C5
C922	E5	R907	C4
C923	E4	R909	C2
C924	G6	R910	A4
C925	G5	R911	C2
C926	G4	R913	D6
C927	E2	R914	D5
C934	E3	R915	D5
CON901	A2	R917	E3
CON902	H6	R918	E2
CON903	H3	R921	E3
CON904	H4	R922	E2
D901	C5	R923	F6
D902	C4	R924	F4
D903	C3	R926	G2
D905	D4	R928	F5
D906	D4	R929	F3
D907	D6	R930	F3
D908	D5	R931	G5
D909	D5	R932	F5
D910	D5	R933	E3
D913	F4	R938	H4
F901	A3	Z901	A3
F902	G5	Z901	D4
IC901	B3	Z902	E3
IC902	F6		

5
4
3
2
1



NOTES: ⚠ Warning Parts that are shaded are critical With respect to risk of fire or electrical shock.

'99 04.01 SI2050 SMPS

A B C D E F G H I J