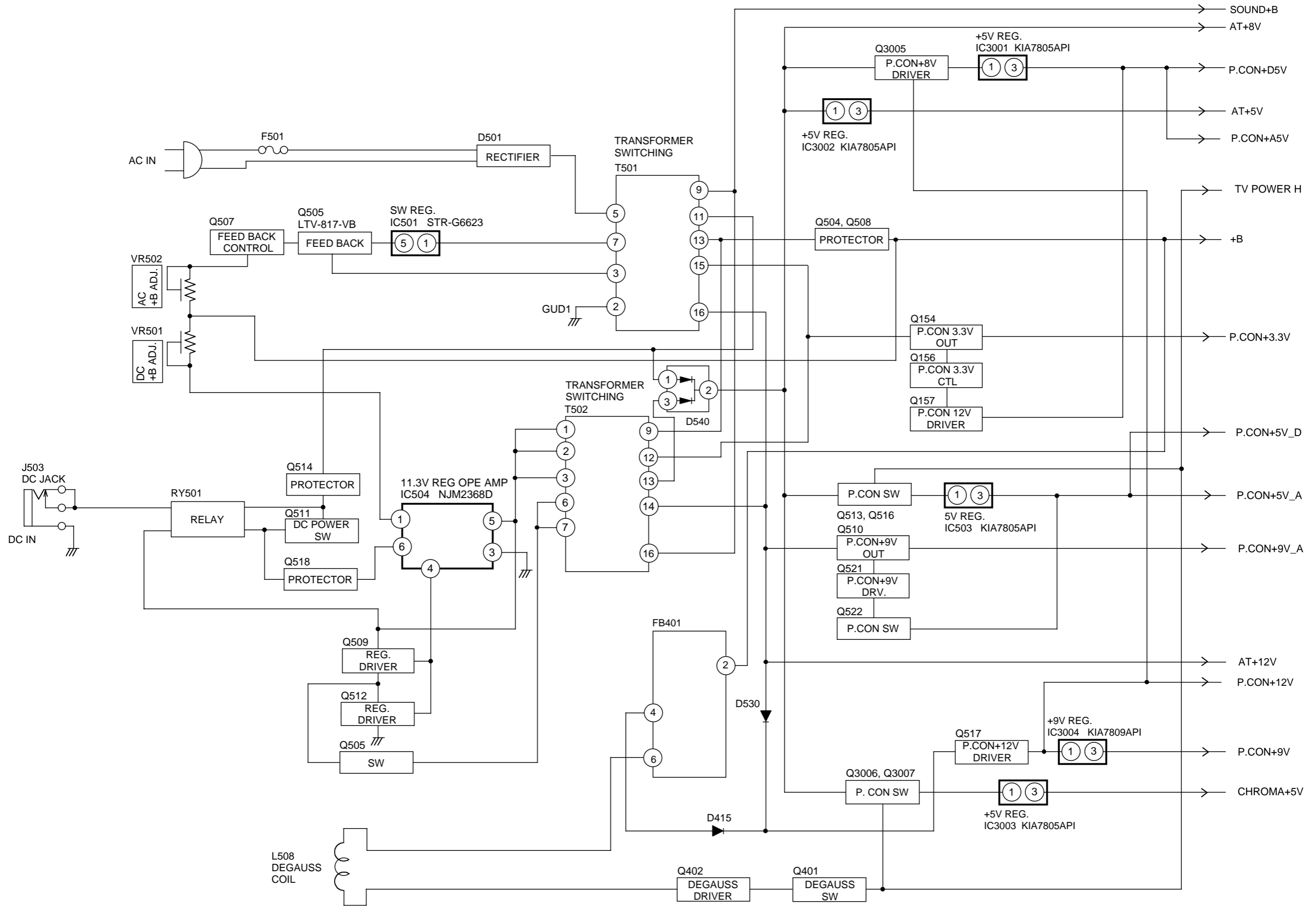
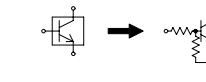


POWER BLOCK DIAGRAM



TV POWER SCHEMATIC DIAGRAM (MAIN PCB)

CAUTION: DIGITAL TRANSISTOR



NOTE: THE RESISTOR MARKED F IS FUSE RESISTOR.
THE ALUMI ELECTROLYTIC CAPACITOR MARKED NP
IS NON POLAR ONE.

FROM/TO DEFLECTION

FROM/TO SYSCON1



CAUTION: FOR CONTINUED PROTECTION AGAINST FIRE HAZARD,
REPLACE ONLY WITH THE SAME TYPE FUSE
5A 125V(F501) AND 10A 125V(ICP502).

ATTENTION: POUR UNE PROTECTION CONTINUE LES RISQUES D'INCEIE
N'UTILISER QUE DES FUSIBLE DE MEME TYPE
5A 125V(F501) AND 10A 125V(ICP502).

CAUTION: ICP502 ARE MANUFACTURED BY SKYGATE INC, TYPE 20N.

NOTE: THE DC VOLTAGE EACH PART WAS
MEASURED WITH THE DIGITAL TESTER
DURING PLAYBACK.

NOTE: THIS SCHEMATIC DIAGRAM IS THE LATEST AT THE TIME
OF PRINTING AND SUBJECT TO CHANGE WITHOUT NOTICE.

ATTENTION: LES PIECES REPARÉES PAR UN ETANT
DANGEREUSES AN POINT DE VUE SECURITE
N'UTILISER QUE CELLES DECRITES
DANS LA NOMENCLATURE DES PIECES.

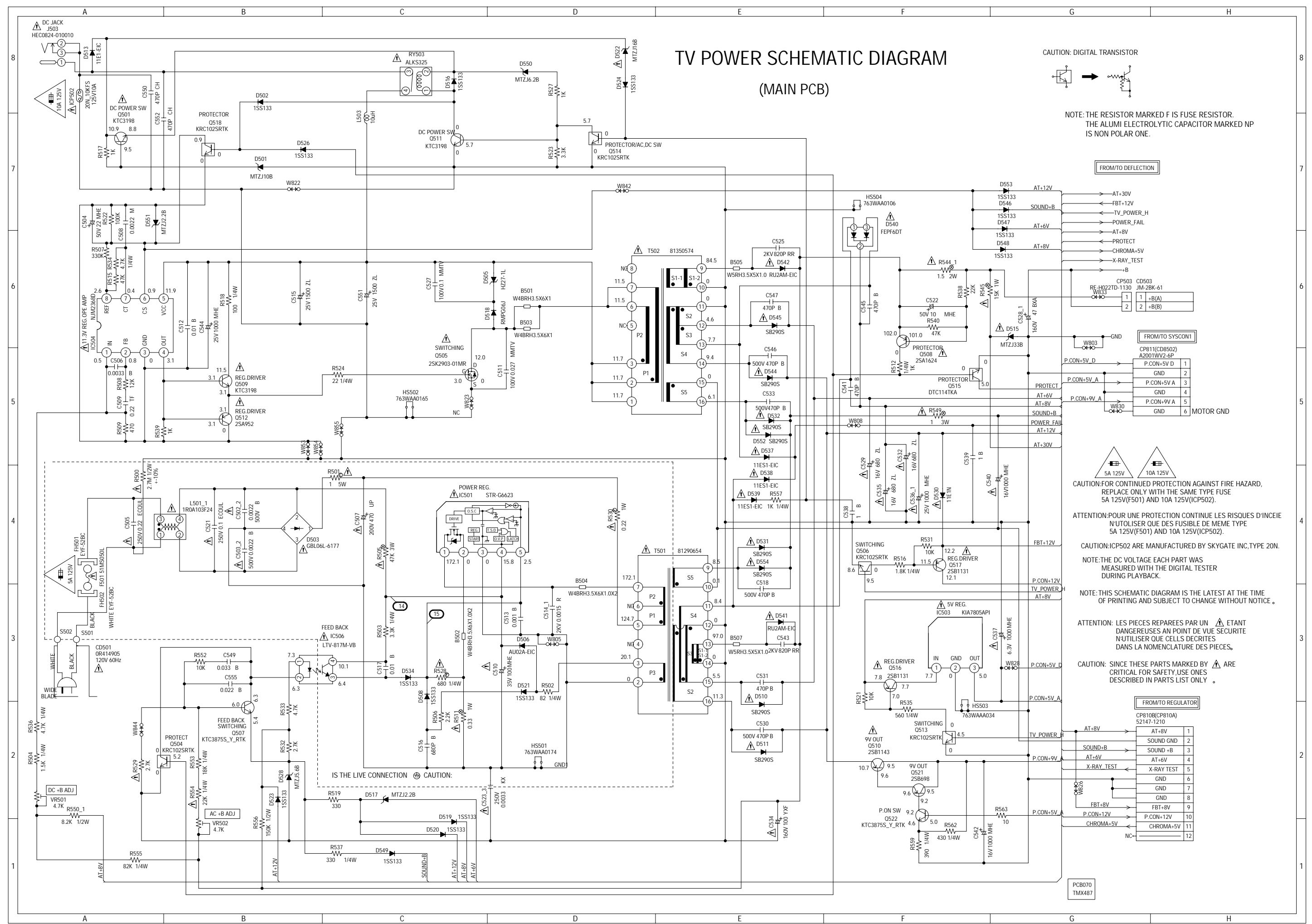
CAUTION: SINCE THESE PARTS MARKED BY ARE
CRITICAL FOR SAFETY, USE ONES
DESCRIBED IN PARTS LIST ONLY.

FROM/TO REGULATOR

CP810B(CP810A)
52147-1210

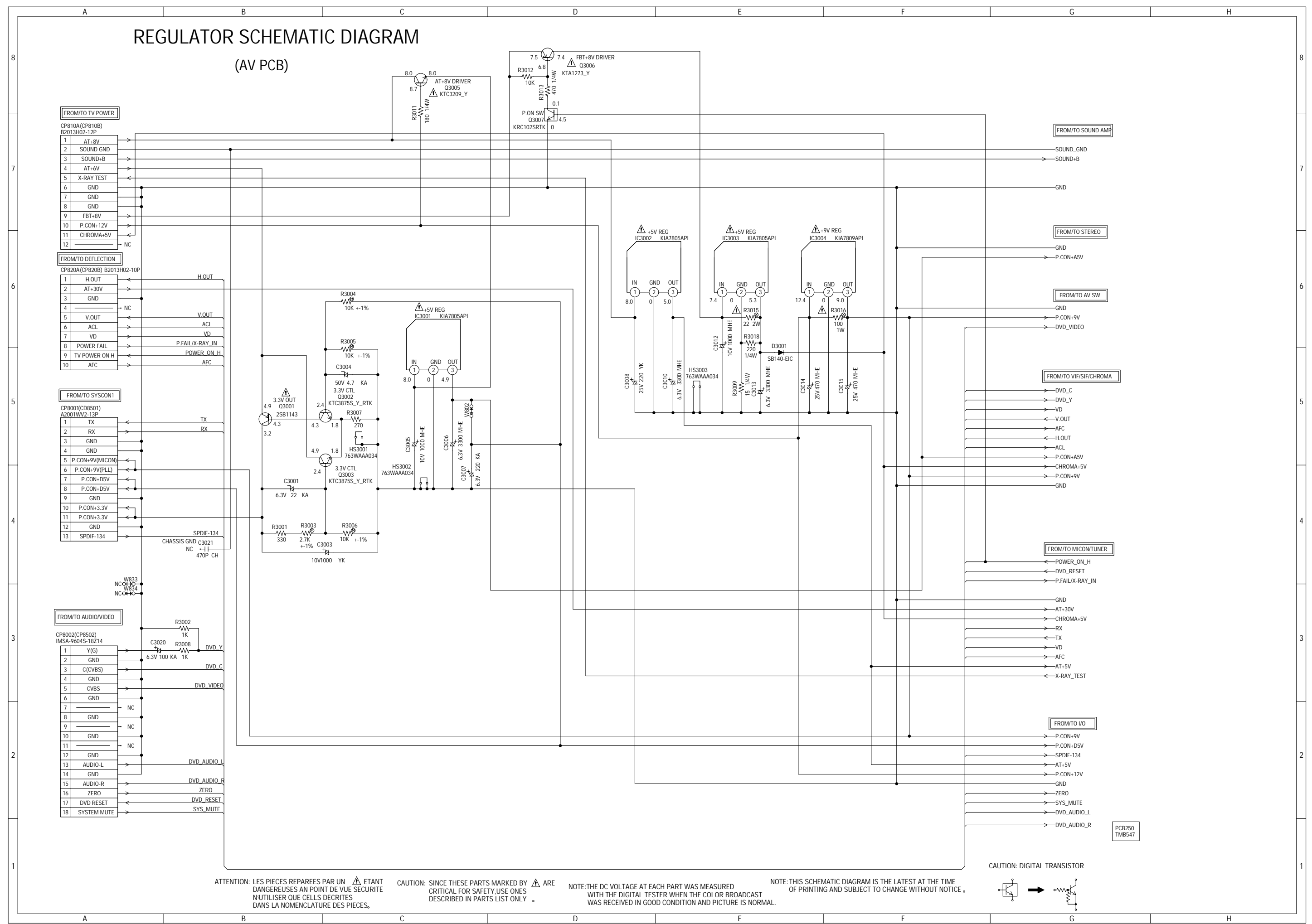
AT+8V	1
SOUND GND	2
SOUND +B	3
AT+6V	4
X-RAY TEST	5
GND	6
GND	7
GND	8
FBT+8V	9
P.CON+12V	10
CHROMA+5V	11
NC	12

PCB070
TMX487



REGULATOR SCHEMATIC DIAGRAM

(AV PCB)



FROM/TO TV POWER

1	AT+8V
2	SOUND GND
3	SOUND+B
4	AT+6V
5	X-RAY TEST
6	GND
7	GND
8	GND
9	FBT+8V
10	P.CON+12V
11	CHROMA+5V
12	NC

FROM/TO DEFLECTION

1	H.OUT
2	AT+30V
3	GND
4	NC
5	V.OUT
6	ACL
7	VD
8	POWER FAIL
9	TV POWER ON H
10	AFC

FROM/TO SYSCON1

1	TX
2	RX
3	GND
4	GND
5	P.CON+9V(MICON)
6	P.CON+9V(PLL)
7	P.CON+5V
8	P.CON+5V
9	GND
10	P.CON+3.3V
11	P.CON+3.3V
12	GND
13	SPDIF-134

FROM/TO AUDIO/VIDEO

1	Y(G)
2	GND
3	C(CVBS)
4	GND
5	CVBS
6	GND
7	NC
8	GND
9	NC
10	GND
11	NC
12	GND
13	AUDIO-L
14	GND
15	AUDIO-R
16	ZERO
17	DVD RESET
18	SYSTEM MUTE

FROM/TO SOUND AMF

SOUND_GND
SOUND+B

FROM/TO STEREO

GND
P.CON+5V

FROM/TO AV SW

GND
P.CON+9V
DVD_VIDEO

FROM/TO VIFS/IFCHROMA

DVD_C
DVD_Y
VD
V.OUT
AFC
H.OUT
ACL
P.CON+5V
CHROMA+5V
P.CON+9V
GND

FROM/TO MICON/TUNER

POWER_ON_H
DVD_RESET
P.FAIL/X-RAY_IN

FROM/TO I/O

P.CON+9V
P.CON+5V
SPDIF-134
AT+5V
P.CON+12V
GND
ZERO
SYS_MUTE
DVD_AUDIO_L
DVD_AUDIO_R

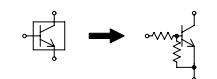
ATTENTION: LES PIÈCES RÉPARÉES PAR UN ÉTANT DANGEREUSES AN POINT DE VUE SÉCURITÉ N'UTILISER QUE CELLES DÉCRITES DANS LA NOMENCLATURE DE DES PIÈCES.

CAUTION: SINCE THESE PARTS MARKED BY ARE CRITICAL FOR SAFETY, USE ONES DESCRIBED IN PARTS LIST ONLY.

NOTE: THE DC VOLTAGE AT EACH PART WAS MEASURED WITH THE DIGITAL TESTER WHEN THE COLOR BROADCAST WAS RECEIVED IN GOOD CONDITION AND PICTURE IS NORMAL.

NOTE: THIS SCHEMATIC DIAGRAM IS THE LATEST AT THE TIME OF PRINTING AND SUBJECT TO CHANGE WITHOUT NOTICE.

CAUTION: DIGITAL TRANSISTOR



PCB250
TMBS47