

LCD Monitor CCFL Inverter Controller

FEATURES

- Low cost LCD monitor inverter solution
- Constant operating frequency
- Operating frequency can be synchronized with external signal
- Integrated synchronized PWM dimming control with wide dimming range
- Built-in intelligence for ignition and normal operation of CCFLs
- Built-in open-lamp protection and over-voltage protection
- Optimized soft-start function
- Higher reliability and longer life
- Supports multiple CCFLs
- Minimum external components

The OZ9RR offers a high level of integration, while maintaining flexibility and high-efficiency operation that reduces component heating. This results in higher reliability and longer CCFL life. The proprietary (patent pending) design technique provides a simpler, lower-cost system solution.

Operating in a zero-voltage switching, push-pull topology, the OZ9RR achieves high power conversion efficiency. The highly integrated controller encompasses current and voltage regulation, soft-start operation, over-voltage protection and an external enabling function while maintaining a high-degree of design flexibility. The application requires a minimum number of off-the-shelf components.

ORDERING INFORMATION

OZ9RRG – 8 pin plastic SOIC

OZ9RRD – 8 pin plastic DIP

GENERAL DESCRIPTION

The patent pending OZ9RR is a cost-effective CCFL (Cold Cathode Fluorescent Lamp) Power Management controller designed for multiple CCFL LCDM (Liquid Crystal Display Monitor) applications.

OZ9RR operates at a constant operating frequency. The operating frequency can be synchronized with an external signal that eliminates any undesired interference between the controller and LCD panel.

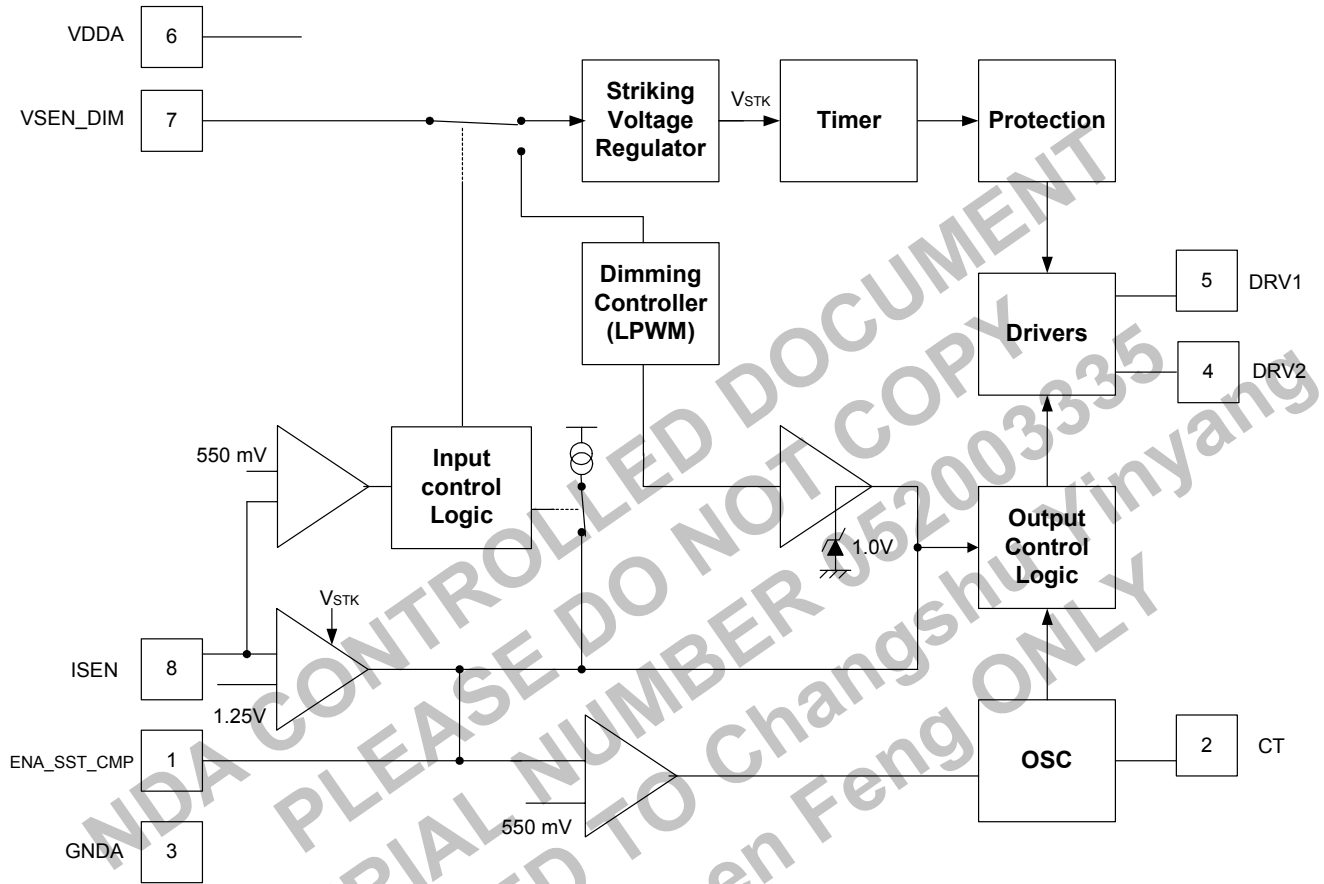
The controller provides a wide dimming range control with a low-frequency Pulse Width Modulation (LPWM) dimming function. The control logic provides a regulated ignition voltage and appropriate protection for over-voltage or over-current conditions.

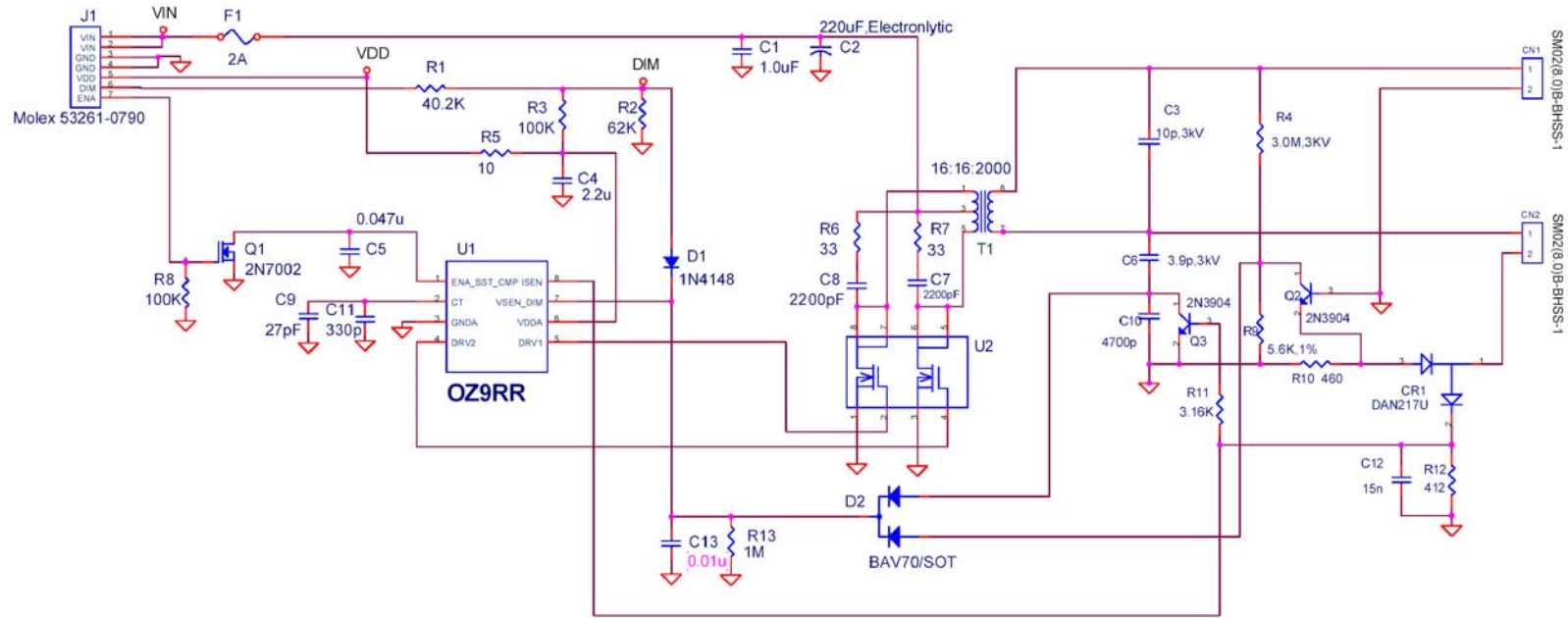
The CCFL backlight controller is designed for a wide range of input voltages. It provides a wide dimming range by converting an external analog control input into a built-in LPWM dimming function. The controller converts unregulated DC voltages into a nearly sinusoidal lamp voltage and current waveforms.

The OZ9RR is available in 8-pin SOIC and 8-pin PDIP packages.

OZ9RR is specified over the commercial temperature range from 0°C to 70°C.

Figure 1. OZ9RR Functional Block Diagram





VIN : 10.8V -13.2v

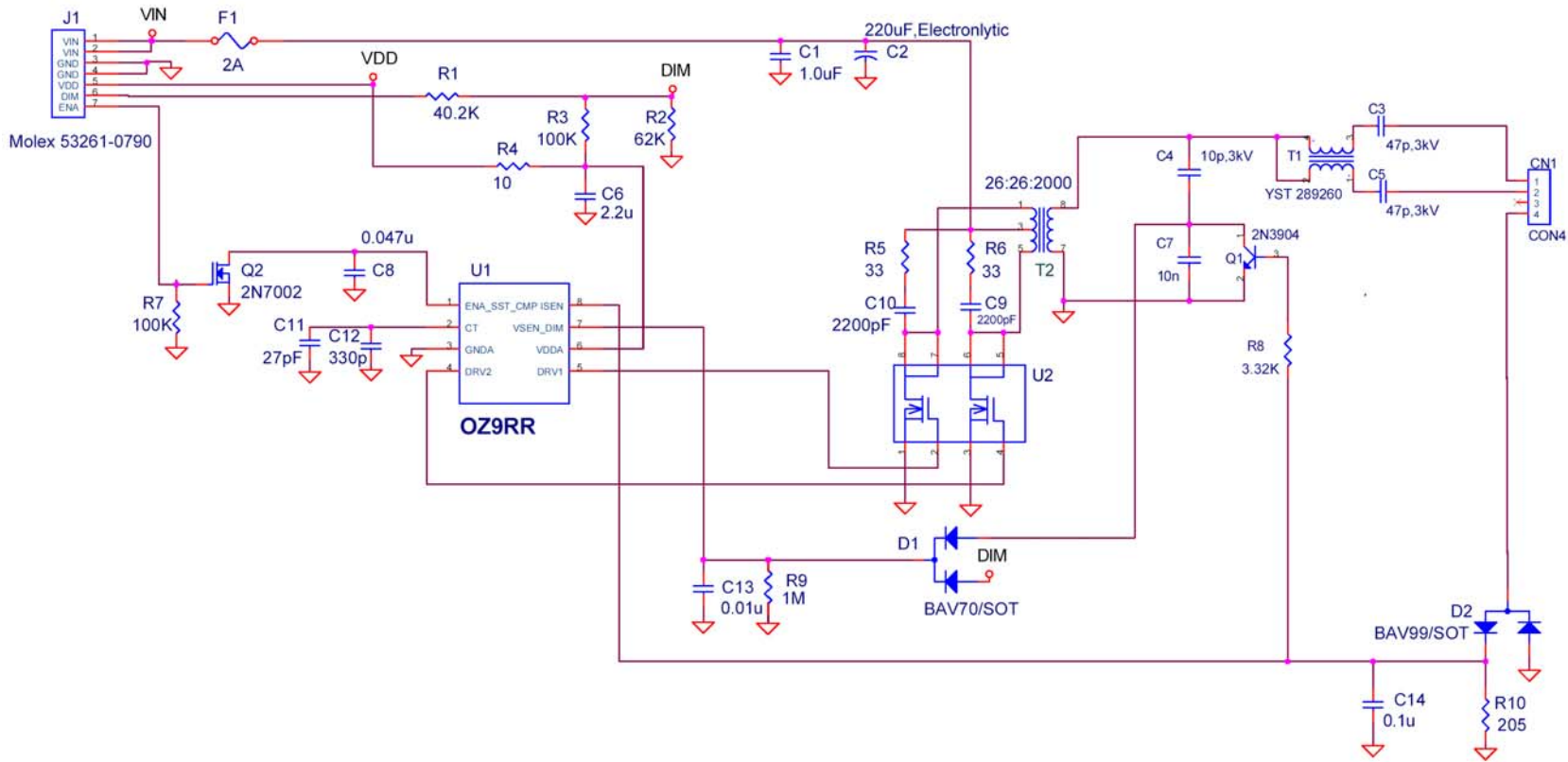
VDD : 4.75V---5.25V

ENA : 0V---1V, enable; 3V---5V, disable

DIM: 0.5V Min. Brightness; 3.6V Max. Brightness

Note: Each CCFL has its individual ground

Refer to: OZ9RR PCB Layout Design Guideline



VIN : 10.8V --- 13.2V
 VDD : 4.75V---5.25V
 ENA : 0V---1V, enable; 3V---5V, disable
 DIM: 0V Min. Brightness; 4.3V Max. Brightness

Note: Both CCFLs' ground wires are common

Refer to: OZ9RR PCB Layout Design Guideline

OZ9RR PIN DESCRIPTION

Names	Pin No.	I/O	Description
ENA_SST_CMP	1	I/O	Enable, Soft Start Time and Compensation of Current Error Amplifier
CT	2	I/O	Timing Capacitor to Set Operating Frequency
GND	3		Ground
DRV2	4	O	N MOSFET Drive Output
DRV1	5	O	N MOSFET Drive Output
VDDA	6		Supply Voltage Input
VSEN_DIM	7	I	Voltage Sense Input Analog Signal for PWM Dimming Control
ISEN	8	I	Lamp Current Detection & Control

ABSOLUTE MAXIMUM RATINGS WITH RESPECT TO INPUT POWER SOURCE RETURN REFERENCE

Input Voltage VDDA	7.0V ⁽¹⁾
GND	+/- 0.3V
Logic inputs	-0.3V to VDDA +0.3V

Operating temp.	0°C to +70 °C
Operating junction temp.	125 °C
Storage temp.	-55 °C to 150 °C

RECOMMENDED OPERATING RANGE

Input Voltage	4.5V to 5.5V
f _{op}	30KHz to 150KHz

Note ⁽¹⁾: The "Absolute Maximum Ratings" are those values beyond which the safety of the device cannot be guaranteed. The device should not be operated at these limits. The "Functional Specifications" table will define the conditions for actual device operation. Exposure to absolute maximum rated conditions for extended periods may affect device reliability.

FUNCTIONAL SPECIFICATION

Parameter	Symbol	Test Conditions	Limits			Unit
			Min	Typ	Max	
		VDDA=5V; CT=357pF; C _{SST} =12.1nF; T _{amb} =25°C unless otherwise specified	Min	Typ	Max	
Supply Current						
Stand By	I _{dds}	V ₁ =0V; V ₈ =0V	-	350	470	μA
Operating	I _{dd}	V ₁ =2V; V ₈ =0V	-	3.9	6.0	mA
Soft Start Current Source	I _{SST}	V ₁ =0V; V ₈ =0V; V ₇ =0V	2.4	3.0	3.5	μA
Under Voltage Lockout	UVLO	V ₁ =1V; VDDA from 0V to 5V	3.2	3.8	4.2	V
ENA_SST_CMP Pin - Low	V _{CMP}		0.96	1.07	1.10	V
CT Pin Peak Valley						
CT Pin Peak	V _{peak}	V ₁ =2V; V ₈ =660mV; V ₇ =2.8V	2.90	3.06	3.20	V
CT Pin Valley	V _{valley}	V ₁ =2V; V ₈ =660mV; V ₇ =2.8V	0.95	1.02	1.15	V
Operating Frequency on DRV1 & DRV2 Pin	f _{op}	V ₁ =1.2V; V ₈ =660mV; V ₇ =2.8V	44.0	48.5	53.0	kHz
LPWM Frequency	f _{LF}	V ₁ =1.2V; V ₈ =660mV; V ₇ =1.5V	190	210	231	Hz
Dimming						
Minimum Brightness	V _{SEN_DIM}	Typical 10%	-	-	0.22	V
Maximum Brightness	V _{SEN_DIM}		2.39	-	-	V
Pulse Width on DRV1 & DRV2 (active high)						
Minimum		V ₁ =0.8V; V ₈ =0V; V ₇ =0V	0.1	0.2	0.3	μsec
Maximum		V ₁ =3V; V ₈ =0V; V ₇ =0V	6.6	6.8	7.0	μsec
Over Voltage Protection Threshold	OVP (V ₇)	V ₁ =1.5V; V ₈ =0V	2.90	3.10	3.25	V
Open Lamp Protection Threshold	OPLAMP (V ₁)	V ₈ =0V; V ₇ =0V	3.4	3.8	4.2	V
Ignition Time (Open Lamp Time Out)		V ₈ =0V; V ₇ =0V	1.7	2.0	2.3	sec
Lamp Current Reference Voltage	I _{SEN}		1.19	1.25	1.31	V
V₁ (ENA_SST_CMP Pin) Threshold			500	550	600	mV
Drivers						
DRV1	R _{on}	For I _{out} = 70 mA	10	18	26	Ω
DRV2	R _{on}	For I _{out} = 70 mA	10	18	26	Ω

Note: Parameters, symbol and test conditions columns, V_x=V_{Pin} NUMBER

FUNCTIONAL DESCRIPTION

1. Power Conversion

The power train uses a zero voltage switching push-pull topology to provide symmetrical drive pulses to the tank circuit that includes the transformer(s), output capacitors and the CCFL/panel load, to yield quasi-sinusoidal CCFL voltage and current waveforms. High-efficiency operation of the OZ9RR yields lower heat dissipation for the inverter system resulting in higher reliability.

OZ9RR controller provides a low system cost.

Refer to Figures 1 and 2 on pages 2 and 3, respectively for the following sections.

2. Enable

The OZ9RR is enabled when the voltage on Pin 1 is greater than 0.55V.

3. Soft Start (SST)

Connecting an external capacitor to Pin 1 provides the SST function. A charging current is provided to capacitor C5. At Start-up, as capacitor C5 charges, the voltage level controls the gradual increase in power to the transformer. This reduces in-rush current and provides reliable operation to the CCFL.

4. Ignition

The ignition process requires a higher striking frequency to strike the CCFL. The striking frequency is approximately 1.3 times the normal operating frequency. The striking frequency is determined by CT (Pin 2) external capacitors, C9 and C11.

5. Normal Operation

Once the CCFL is ignited and current is sensed at Pin 8 (ISEN), the control loop regulates the CCFL current. The operating frequency is determined by the external capacitors C_T (C9 & C11) at CT (Pin 2), where the approximate operating frequency is calculated by the following equation.

$$f_{op} = \frac{19 \times 10^3}{1.1 \times C_T [\text{pF}]} \quad [\text{kHz}]$$

6. Over-Voltage Protection

The control logic protects the transformer from an abnormal high voltage at the secondary output.

During start up, VSEN_DIM (Pin 7) senses the voltage on the transformer secondary. When VSEN reaches 3V, the output voltage is regulated. An internal timer is activated to provide sufficient time for CCFL ignition. If no current is sensed after approximately 2.0 seconds, the OZ9RR shuts off. Toggling the enable signal from low to high will resume normal operation.

7. Open Lamp Protection

When a CCFL is removed or damaged during normal operation, the OZ9RR shuts off the output drives. When the damaged lamp is replaced, toggling the enable pin from low to high resumes normal operation.

8. Aged CCFL Ignition

During the ignition process, the controller senses the voltage at the CCFL. For an open-circuit condition, the power train delivers a regulated voltage at the CCFL for approximately two seconds. This is to ensure that any aged, slow-turn-on CCFL is provided with sufficient voltage and time to ignite.

9. Dimming Control

The OZ9RR internal LPWM dimming control circuitry provides a wide low-frequency dimming range. The input to Pin 7 (VSEN_DIM) is an analog voltage of 0.2V to 2.3V that produces a LPWM duty cycle of 10% to 100%.

The output of the LPWM signal has a duty cycle proportional to the input dimming signal command (VDIM). A resistive network (R1, R2 and R3) is inserted between the external dimming input and Pin 7 to provide user flexibility for different dimming input voltage ranges, such as 0V to 3V or 0V to 5V.

A wide dimming range is achieved by utilizing LPWM control method, via the low-frequency PWM generator circuitry. OZ9RR operates in a constant frequency mode, in which the frequency is set by external capacitors C9 and C11 connected to CT (Pin 2). The operating frequency

Preliminary
OZ9RR

and LPWM frequency are internally synchronized. The operating frequency can also be synchronized to the LCD monitor system by providing an external signal to pin 2. This eliminates any undesired interference between the controller and LCD panel, as the interference is usually associated with variable-frequency design. Interference may result in a poor user experience because of “waterfall” display distortion and other poor display appearance.

The approximate dimming frequency (low frequency) is internally generated and calculated using the following equation:

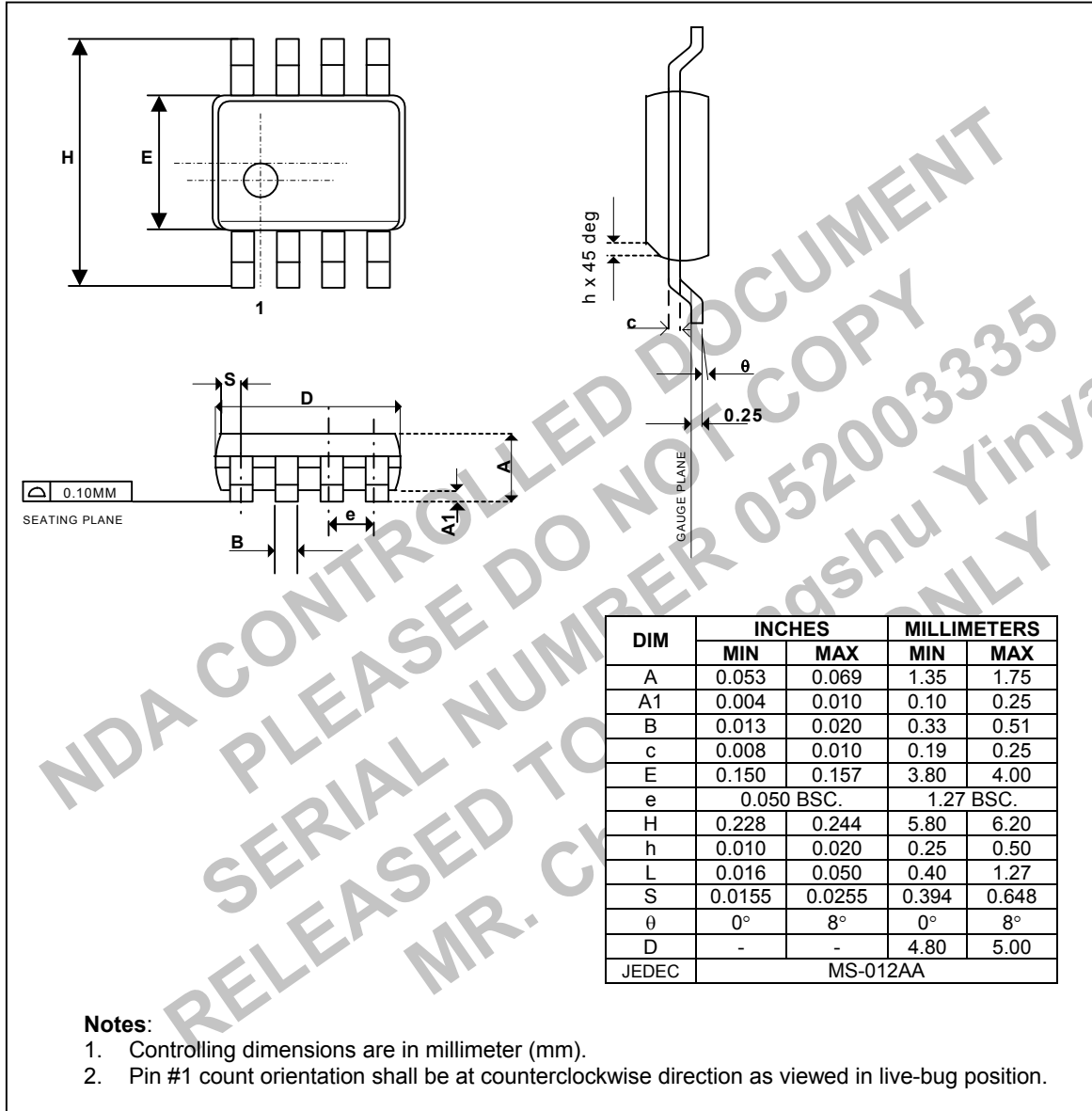
$$f_{LF} = \frac{75 \times 10^3}{C_T [\text{pF}]} \text{ [Hz]}$$

Please contact your local field office for implementation details.

NDA CONTROLLED DOCUMENT
PLEASE DO NOT COPY
SERIAL NUMBER 052003335
RELEASED TO Changshu Yinyang
MR. Chen Feng ONLY

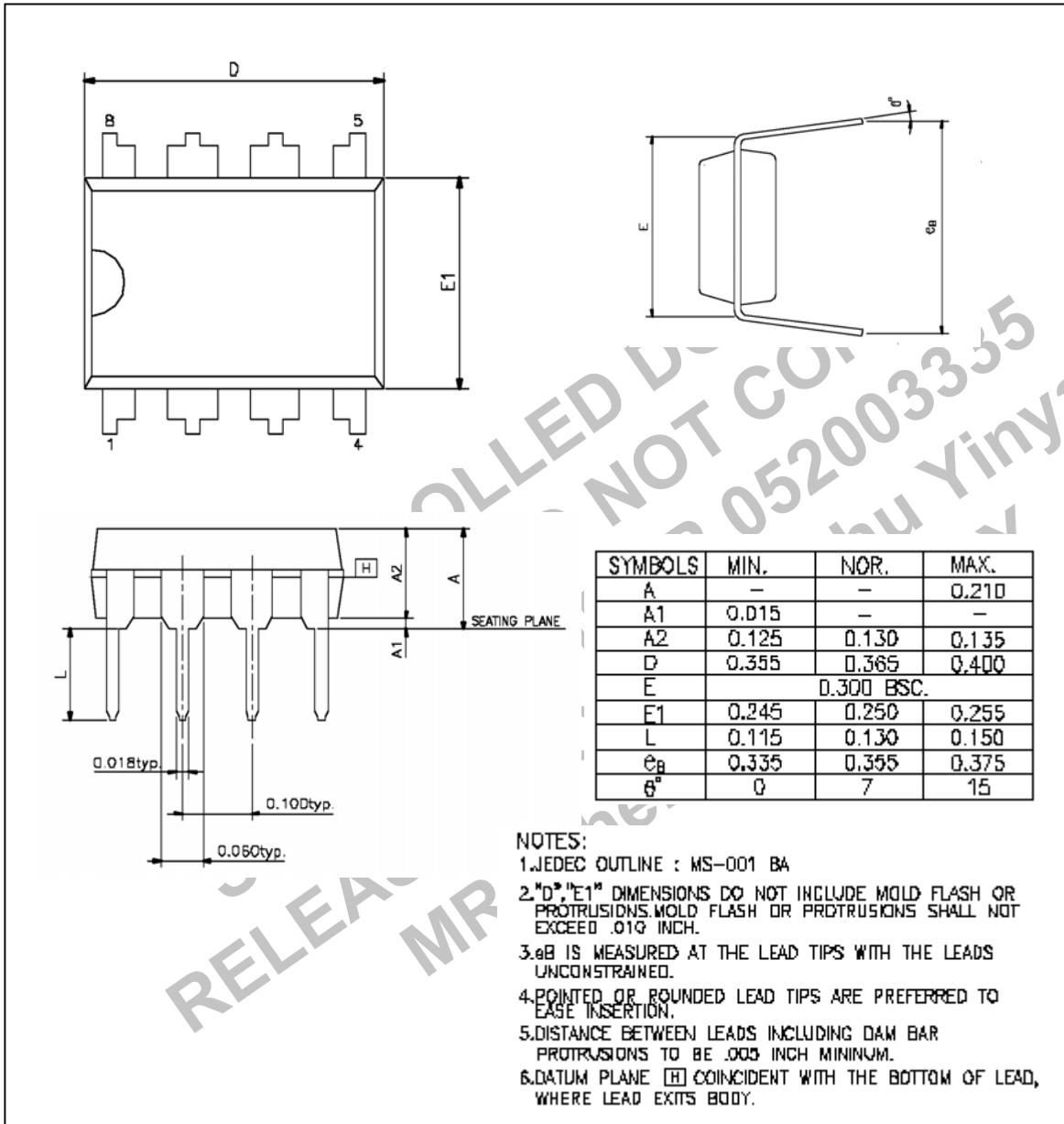
PACKAGE INFORMATION

8-PIN SOIC



PACKAGE INFORMATION

8-PIN DIP



IMPORTANT NOTICE

No portion of O₂Micro specifications/datasheets or any of its subparts may be reproduced in any form, or by any means, without prior written permission from O₂Micro.

O₂Micro and its subsidiaries reserve the right to make changes to their datasheets and/or products or to discontinue any product or service without notice, and advise customers to obtain the latest version of relevant information to verify, before placing orders, that information being relied on is current and complete. All products are sold subject to the terms and conditions of sale supplied at the time of order acknowledgment, including those pertaining to warranty, patent infringement, and limitation of liability.

O₂Micro warrants performance of its products to the specifications applicable at the time of sale in accordance with O₂Micro's standard warranty. Testing and other quality control techniques are utilized to the extent O₂Micro deems necessary to support this warranty. Specific testing of all parameters of each device is not necessarily performed, except those mandated by government requirements.

Customer acknowledges that O₂Micro products are not designed, manufactured or intended for incorporation into any systems or products intended for use in connection with life support or other hazardous activities or environments in which the failure of the O₂Micro products could lead to death, bodily injury, or property or environmental damage ("High Risk Activities"). O₂Micro hereby disclaims all warranties, and O₂Micro will have no liability to Customer or any third party, relating to the use of O₂Micro products in connection with any High Risk Activities.

Any support, assistance, recommendation or information (collectively, "Support") that O₂Micro may provide to you (including, without limitation, regarding the design, development or debugging of your circuit board or other application) is provided "AS IS." O₂Micro does not make, and hereby disclaims, any warranties regarding any such Support, including, without limitation, any warranties of merchantability or fitness for a particular purpose, and any warranty that such Support will be accurate or error free or that your circuit board or other application will be operational or functional. O₂Micro will have no liability to you under any legal theory in connection with your use of or reliance on such Support.

COPYRIGHT © 2003, O₂Micro International Limited