

STK453-030



Dual power audio amplifier with stand-by

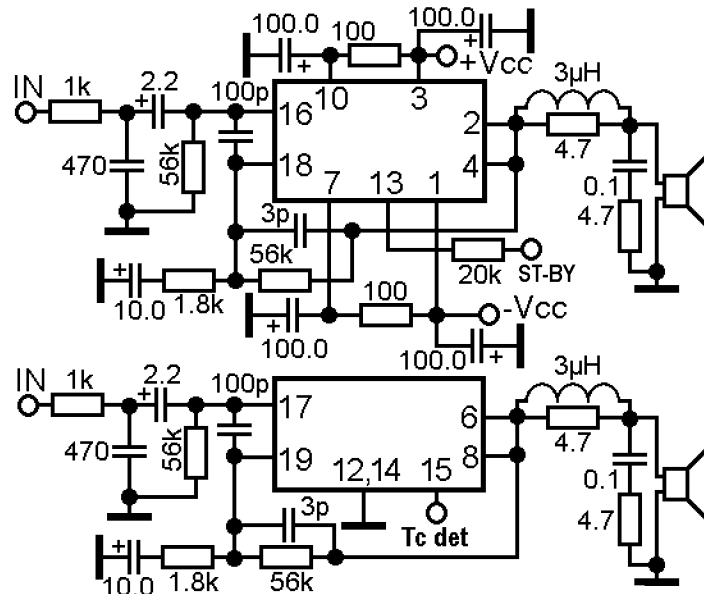
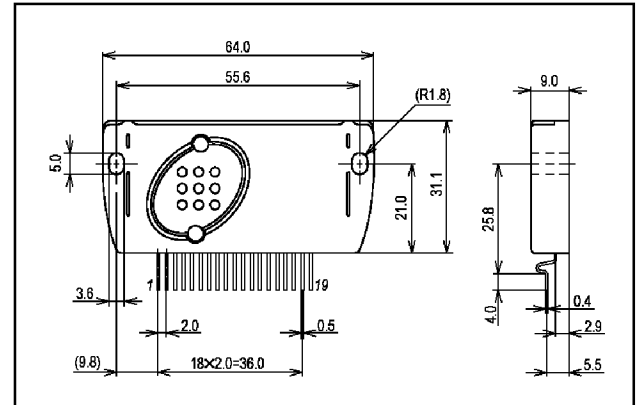
- AF output power 2x20W

MAXIMUM RATINGS / Ta=25°C

Maximum Supply Voltage V_{CCmax}	±28V
Minimum Supply Voltage V_{CCmin}	±18V
Quiescent Current I_{CC} (typ)	25mA
Voltage gain VG ($P_o=0.1W$)	30dB
Distortion THD ($P_o=5.0W$)	0.01%
Input Resistance R_{in} ($P_o=1.0W$)	55kOhm
Power Bandwith Bw ($P_o=1W, +0...-3dB$)	20Hz...50kHz
Load Resistance R_L	4...6 OHm
Built-in stand-by function (Ist=1.2mA)	
Stand-by condition: ST-BY= GND- operate	
ST-BY= +PreVcc- stand-by	
Built-in thermal sensor for case temperature measurement	

Package Dimensions

unit:mm (typ)



Application Circuit Example