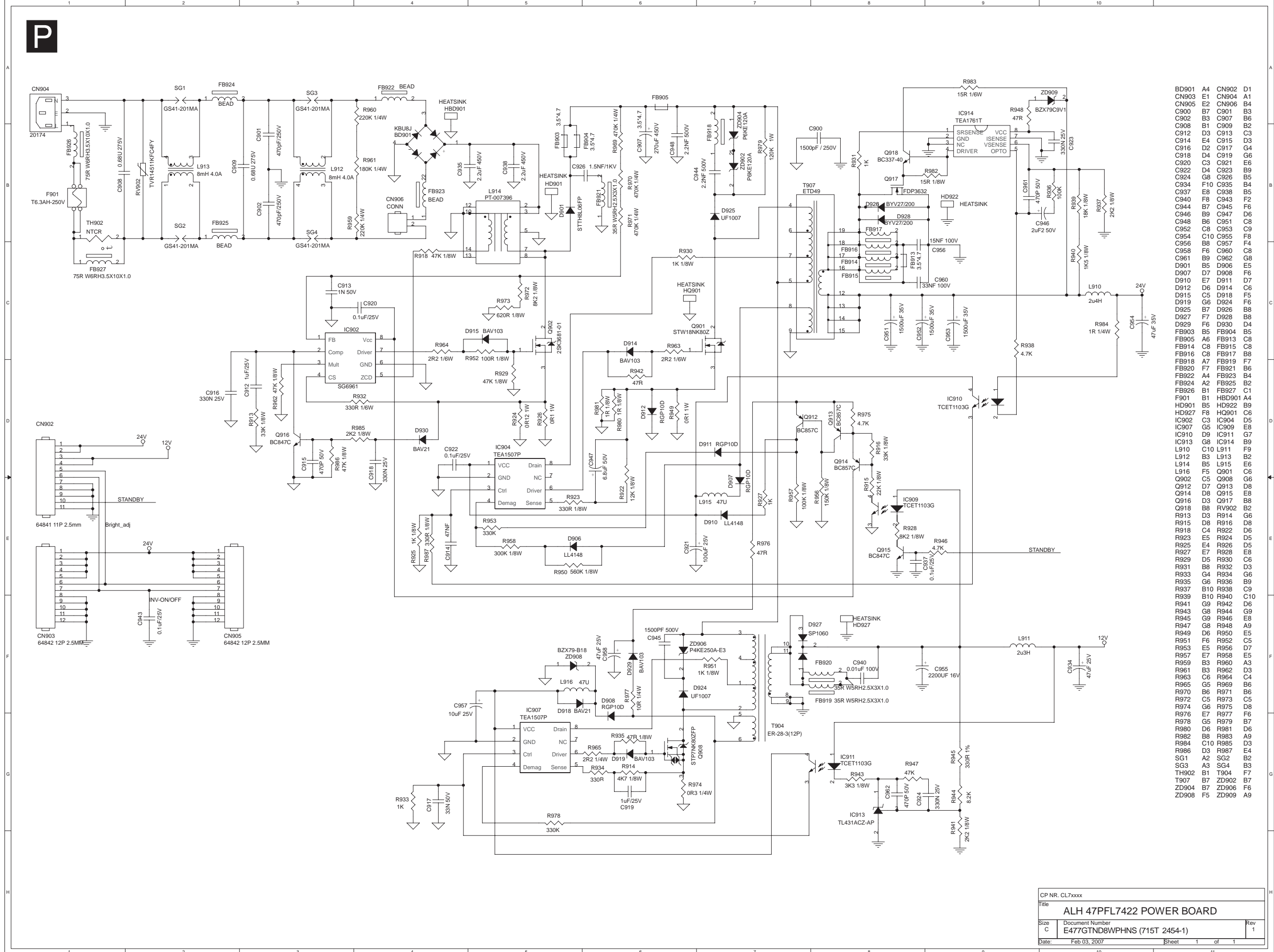
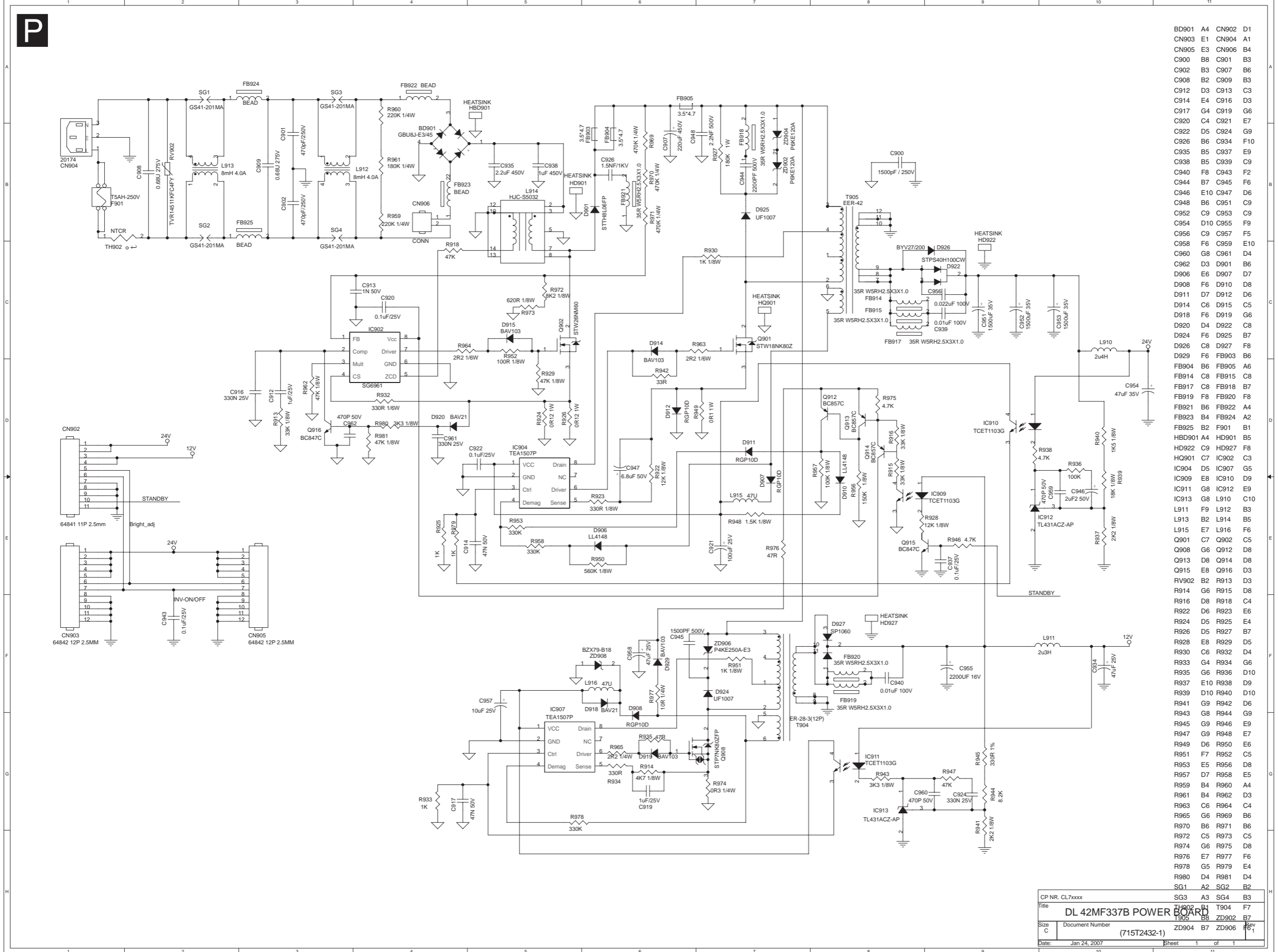


Power Board Schematic Diagram(for 47PFL)



CP NR.	CL7xxxx
Title	ALH 47PFL7422 POWER BOARD
Size	Document Number
C	E477GTND8WPHNS (715T 2454-1)
Date:	Feb 03, 2007
Sheet	1 of 1

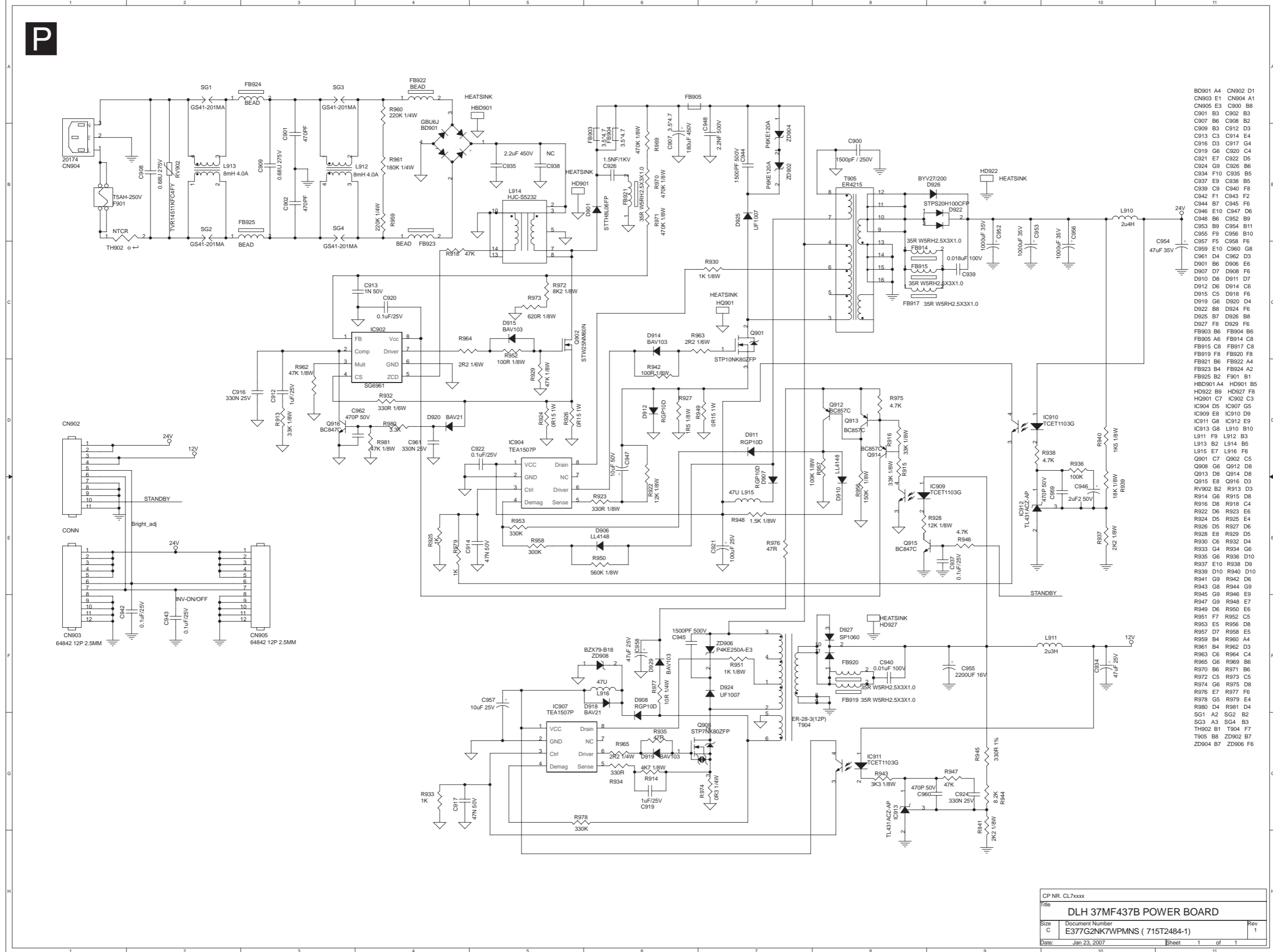
Power Board Schematic Diagram(for 42PFL)



BD901	A4	CN902	D1
CN903	E1	CN904	A1
CN905	E3	CN906	B4
C900	B8	C901	B3
C902	B3	C907	B6
C908	B2	C909	B3
C912	D3	C913	C3
C914	E4	C916	D3
C917	G4	C919	G6
C920	C4	C921	E7
C922	D5	C924	G9
C926	B6	C934	F10
C935	B5	C937	E9
C938	B5	C939	C9
C940	F8	C943	F2
C944	B7	C945	F6
C946	E10	C947	D6
C948	B6	C951	C9
C952	C9	C953	C9
C954	D10	C955	F9
C956	C9	C957	F5
C958	F6	C959	E10
C960	G8	C961	D4
C962	D3	D901	B6
D906	E6	D907	D7
D908	F6	D910	D8
D911	D7	D912	D6
D914	C6	D915	C5
D918	F6	D919	G6
D920	D4	D922	C8
D924	F6	D925	B7
D926	C8	D927	F8
D929	F6	FB903	B6
FB904	B6	FB905	A6
FB914	C8	FB915	C8
FB917	C8	FB918	B7
FB919	F8	FB920	F8
FB921	B6	FB922	A4
FB923	B4	FB924	A2
FB925	B2	F901	B1
HBD901	A4	HD901	B5
HD922	C9	HD927	F8
HQ901	C7	IC902	C3
IC904	D5	IC907	G5
IC909	E8	IC910	D9
IC911	G8	IC912	E9
IC913	G8	L910	C10
L911	F9	L912	B3
L913	B2	L914	B5
L915	E7	L916	F6
Q901	C7	Q902	C5
Q908	G6	Q912	D8
Q913	D8	Q914	D8
Q915	E8	Q916	D3
RV902	B2	R913	D3
R914	G6	R915	D8
R916	D8	R918	C4
R922	D6	R923	E6
R924	D5	R925	E4
R926	D5	R927	B7
R928	E8	R929	D5
R930	C6	R932	D4
R933	G4	R934	G6
R935	G6	R936	D10
R937	E10	R938	D9
R939	D10	R940	D10
R941	G9	R942	D6
R943	G8	R944	G9
R945	G9	R946	E9
R947	G9	R948	E7
R949	D6	R950	E6
R951	F7	R952	C5
R953	E5	R956	D8
R957	D7	R958	E5
R959	B4	R960	A4
R961	B4	R962	D3
R963	C6	R964	C4
R965	G6	R969	B6
R970	B6	R971	B6
R972	C5	R973	C5
R974	G6	R975	D8
R976	E7	R977	F6
R978	G5	R979	E4
R980	D4	R981	D4
SG1	A2	SG2	B2

CP NR.	CL7xxxx
Title	DL 42MF337B POWER BOARD
Size	Document Number (715T2432-1)
Date:	Jan 24, 2007
Sheet	1 of 1

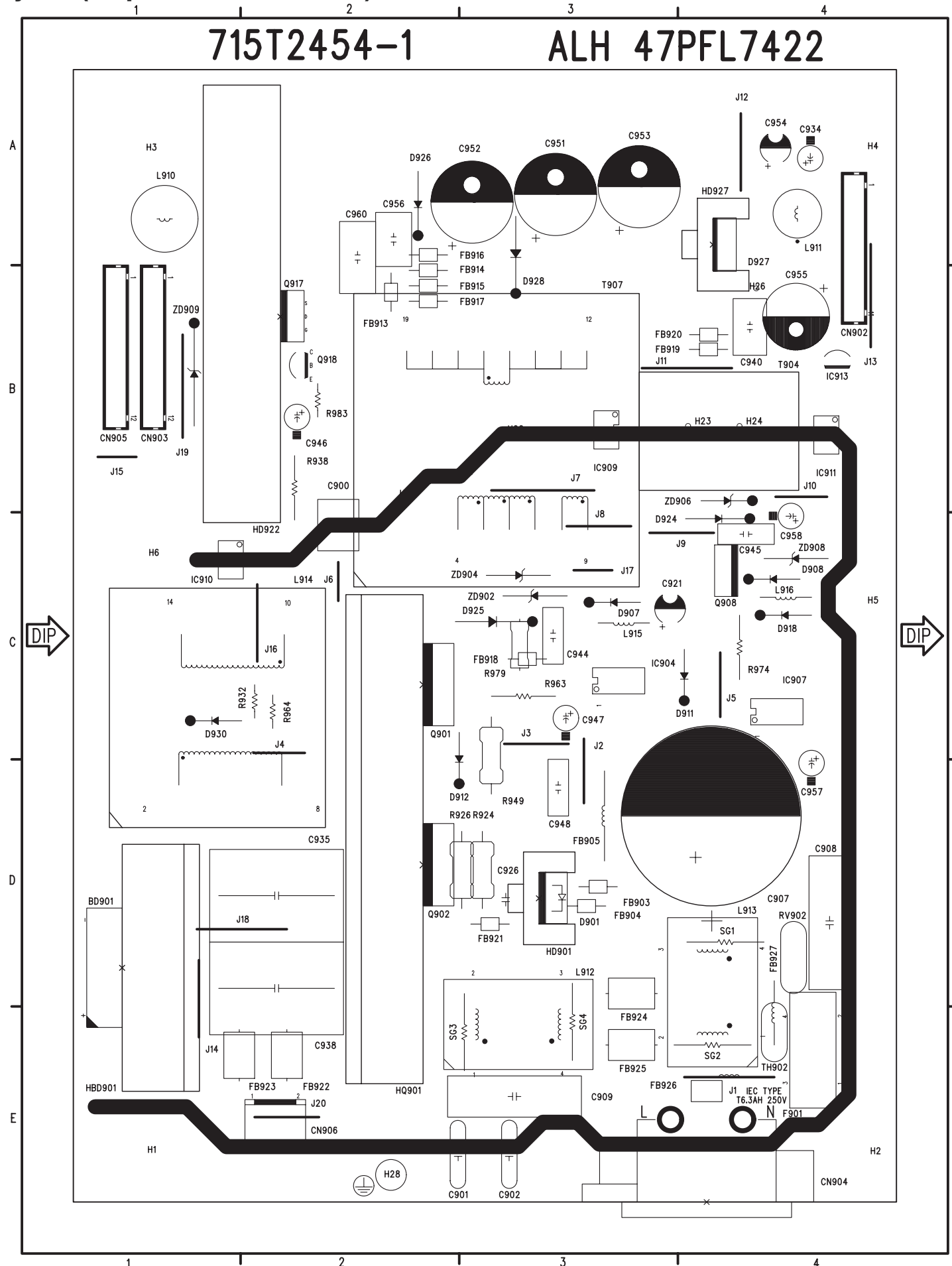
Power Board Schematic Diagram(for 37PFL)



- BD901 A4
- CN903 E1
- CN905 E3
- C901 B3
- C907 B6
- C909 B3
- C913 C3
- C916 D3
- C919 G6
- C921 E7
- C924 G9
- C934 F10
- C937 E9
- C939 C9
- C942 F1
- C944 B7
- C946 E10
- C948 B6
- C953 B9
- C955 F9
- C957 F5
- C959 E10
- C961 D4
- D901 B6
- D907 D7
- D910 D8
- D912 D6
- D915 C5
- D919 G6
- D922 B8
- D925 B7
- D927 F8
- FB903 B6
- FB905 A6
- FB915 C8
- FB919 F8
- FB921 B6
- FB923 B4
- FB925 B2
- HD901 A4
- HD922 B9
- HQ901 C7
- IC904 D5
- IC909 E8
- IC911 G8
- IC913 G8
- L911 F7
- L913 E2
- L915 E7
- Q901 C7
- Q908 G6
- Q913 D8
- Q915 E8
- RV902 B2
- R914 G6
- R916 D8
- R922 D6
- R924 D5
- R926 D5
- R928 E8
- R930 C6
- R933 G4
- R935 G6
- R937 E10
- R939 D10
- R941 G9
- R943 G8
- R945 G9
- R947 G9
- R949 D6
- R951 F7
- R953 E5
- R957 D7
- R959 B4
- R961 B4
- R963 C6
- R965 G6
- R970 B6
- R972 C5
- R974 G6
- R976 E7
- R978 G5
- R980 D4
- SG1 A2
- SG3 A3
- TH902 B1
- T905 B8
- ZD904 B7
- CN902 D1
- CN904 A1
- C900 B8
- C902 B3
- C908 B2
- C912 D3
- C914 E4
- C917 G4
- C920 C4
- C922 D5
- C923 E4
- C925 D4
- C926 D5
- C928 B5
- C930 B5
- C932 F2
- C935 B5
- C938 B5
- C940 F8
- C943 F2
- C945 F6
- C947 D6
- C952 B9
- C954 B11
- C956 B10
- C958 F6
- C960 G8
- C962 D3
- D906 E6
- D908 F6
- D911 D7
- D914 C6
- D918 F6
- D920 F4
- D924 F6
- D926 B8
- D929 F6
- FB904 C6
- FB914 C8
- FB917 C8
- FB920 F8
- FB922 A4
- FB924 A2
- F901 B1
- HD901 B5
- HD927 F8
- IC902 C3
- IC907 G5
- IC910 D9
- IC912 E9
- L910 B10
- L912 B3
- L914 B5
- L916 F6
- Q902 C5
- Q912 D8
- Q914 D8
- Q916 D3
- R913 D3
- R915 D8
- R918 C4
- R923 E6
- R925 E4
- R927 D6
- R929 D5
- R932 D4
- R934 G6
- R936 D10
- R938 D9
- R940 A4
- R942 D3
- R944 G9
- R946 E9
- R948 E7
- R950 E6
- R952 C8
- R956 E5
- R958 E5
- R960 A4
- R962 D3
- R964 C4
- R969 B6
- R971 B6
- R973 C5
- R975 D6
- R977 F6
- R979 E4
- R981 D4
- SG2 B2
- SG4 B3
- T904 F7
- ZD902 B7
- ZD906 F6

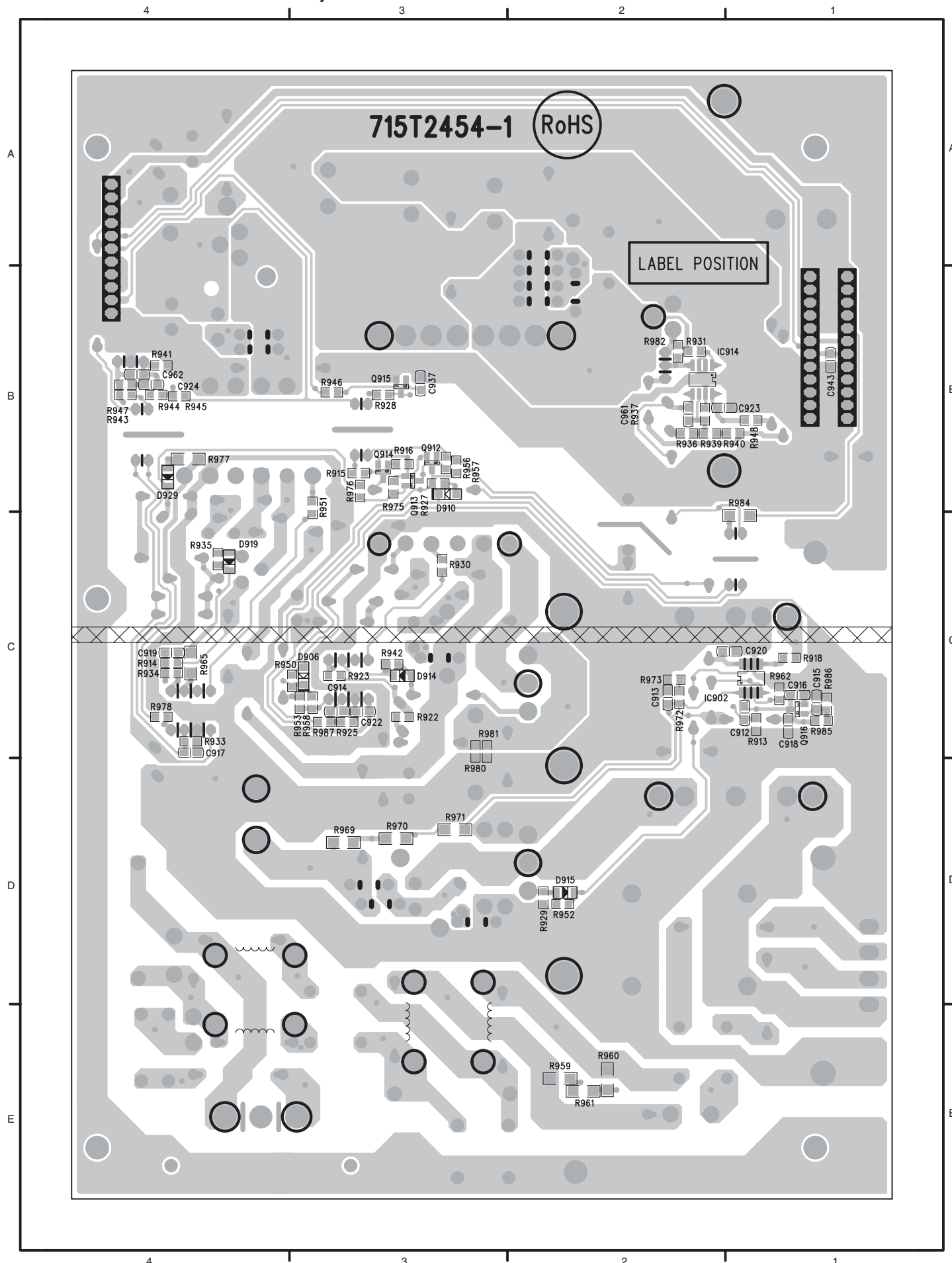
CP NR. CL7xxxx	
Title DLH 37MF437B POWER BOARD	
Size C	Document Number E377G2NK7WPMNS (715T2484-1)
Date Jan 23, 2007	Rev 1
Sheet 1 of 1	

Power Board Layout (Top Side for 47PFL)



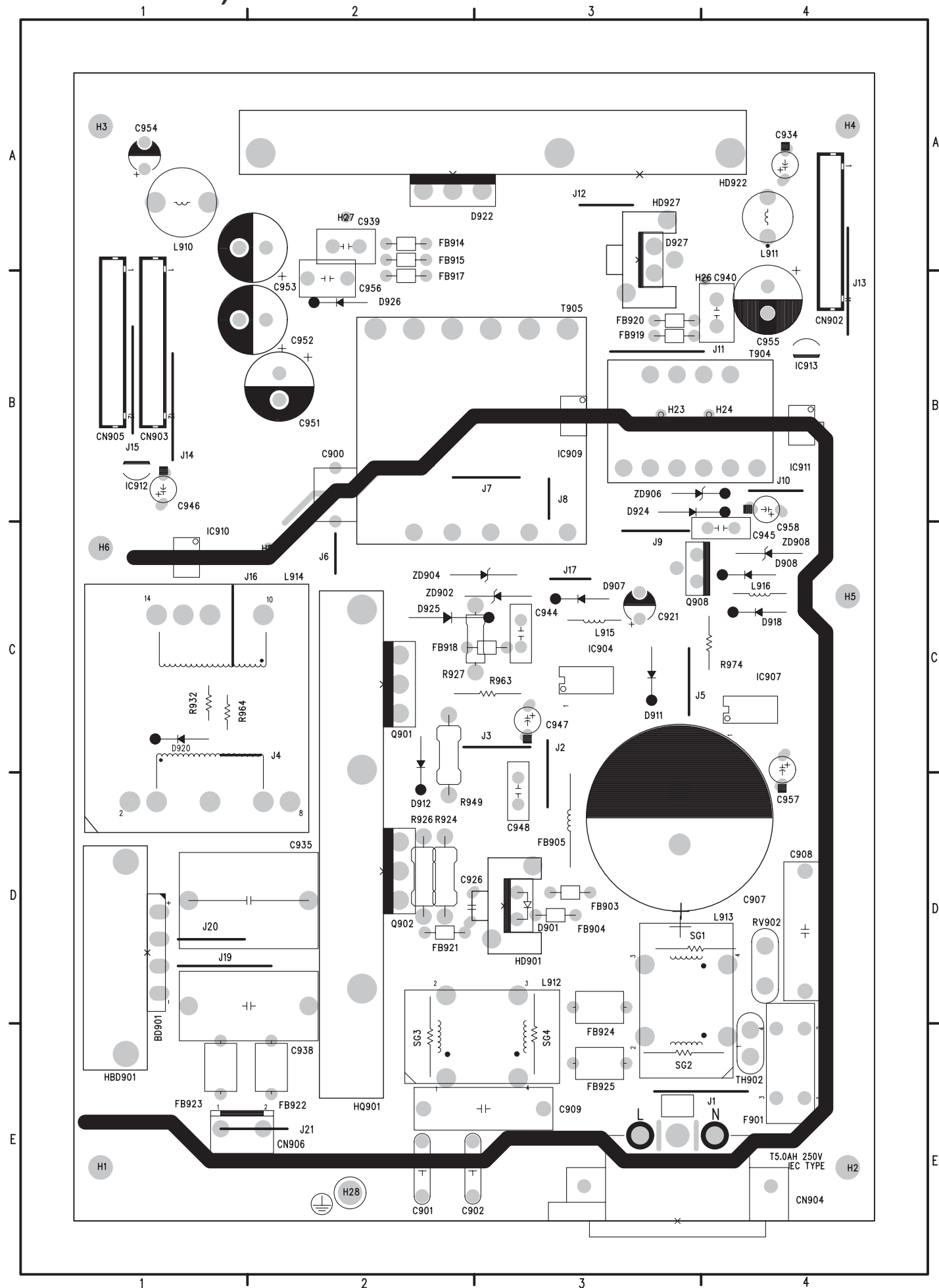
BD901	D1	FB918	C3
C900	C2	FB919	B3
C901	E2	FB920	B3
C902	E3	FB921	D2
C907	D3	FB922	E2
C908	D4	FB923	E1
C909	E3	FB924	D3
C921	C3	FB925	E3
C926	D3	FB926	E3
C934	A4	FB927	E4
C935	D2	HBD901	D1
C938	D2	HD901	D3
C940	B4	HD922	B2
C944	C3	HD927	A3
C945	C4	HQ901	D2
C946	B2	IC904	C3
C947	C3	IC907	C4
C948	D3	IC909	B3
C951	A3	IC910	C1
C952	A2	IC911	B4
C953	A3	IC913	B4
C954	A4	L910	A1
C955	B4	L911	A4
C956	A2	L912	E3
C957	D4	L913	D3
C958	C4	L914	C1
C960	A2	L915	C3
CN902	A4	L916	C4
CN903	B1	Q901	C2
CN904	E3	Q902	D2
CN905	B1	Q908	C4
CN906	E2	Q917	B2
D901	D3	Q918	B2
D907	C3	R924	D2
D908	C4	R926	D2
D911	C3	R932	C2
D912	D2	R938	C2
D918	C4	R949	C3
D924	C4	R963	C3
D925	C3	R964	C2
D926	A2	R974	C4
D927	A4	R979	C3
D928	B3	R983	B2
D930	C1	RV902	D4
F901	E4	T904	B4
FB903	D3	T907	B3
FB904	D3	TH902	E4
FB905	D3	ZD902	C3
FB913	B2	ZD904	C3
FB914	B2	ZD906	B4
FB915	B2	ZD908	C4
FB916	A2	ZD909	B1
FB917	B2		

Power Board Layout(Bottom Side for 47PFL)



- C912 C1
- C913 C2
- C914 C3
- C915 C1
- C916 C1
- C917 C4
- C918 C1
- C919 C4
- C920 C1
- C922 C3
- C923 B1
- C924 B4
- C937 B3
- C943 B1
- C961 B2
- C962 B4
- D906 C3
- D910 B3
- D914 C3
- D915 D2
- D919 C4
- D929 B4
- IC902 C1
- IC914 B2
- Q912 B3
- Q913 B3
- Q914 B3
- Q915 B3
- Q916 C1
- R913 C1
- R914 C4
- R915 B3
- R916 B3
- R918 C1
- R922 C3
- R923 C3
- R925 C3
- R927 B3
- R928 B3
- R929 D2
- R930 C3
- R931 B2
- R933 C4
- R934 C4
- R935 C4
- R936 B2
- R937 B2
- R939 B2
- R940 B1
- R941 B4
- R942 C3
- R943 B4
- R944 B4
- R945 B4
- R946 B3
- R947 B4
- R948 B1
- R950 C3
- R951 B3
- R952 D2
- R953 C3
- R956 B3
- R957 B3
- R958 C3
- R959 E2
- R960 E2
- R961 E2
- R962 C1
- R965 C4
- R969 D3
- R970 D3
- R971 D3
- R972 C2
- R973 C2
- R975 B3
- R976 B3
- R977 B4
- R978 C4
- R980 C3
- R981 C2
- R982 B2
- R984 C1
- R985 C1
- R986 C1
- R987 C3

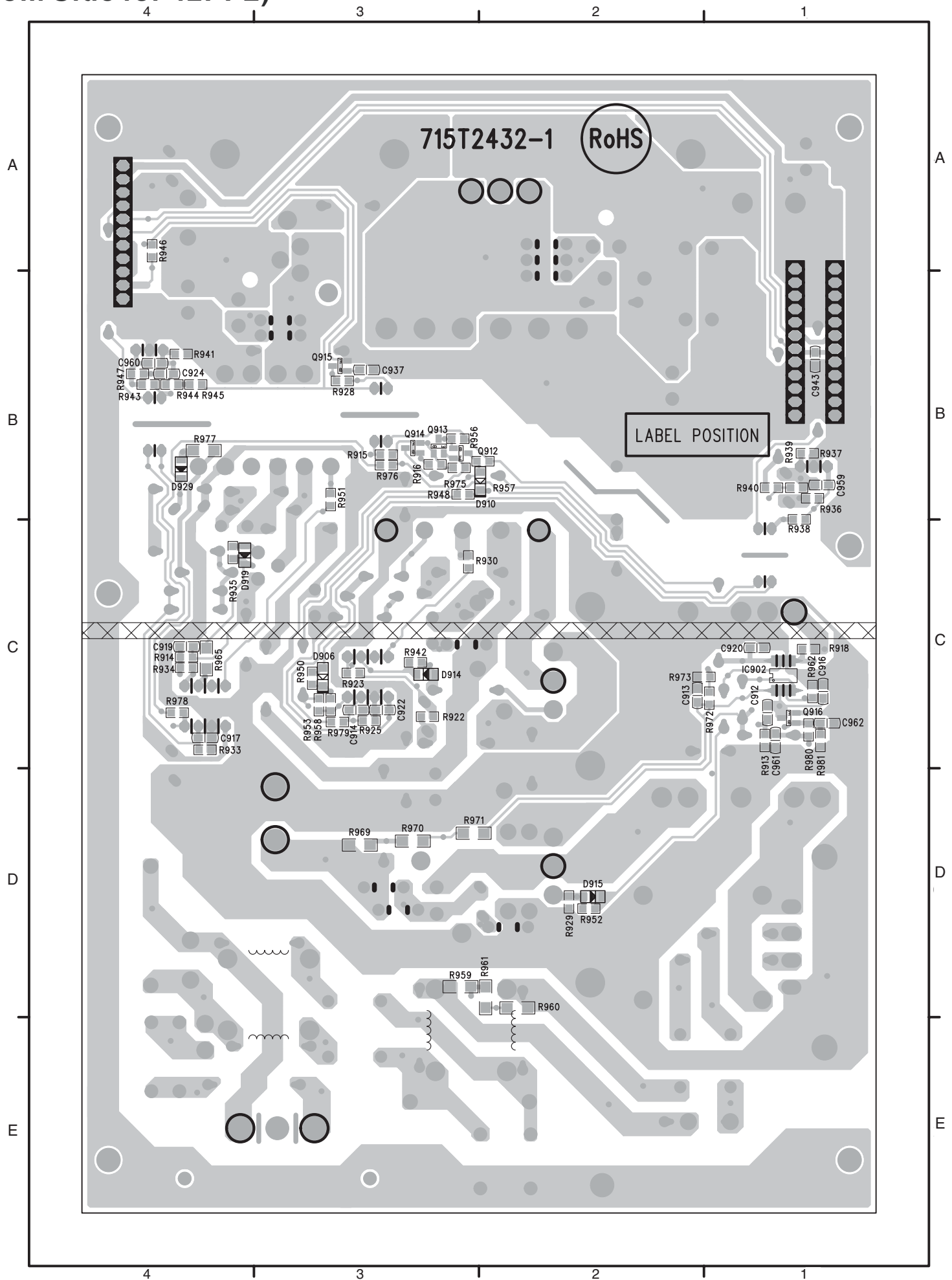
Power Board Layout (Top Side for 42PFL)



BD901 D1
 C900 B2
 C901 E2
 C902 E2
 C907 D3
 C908 D4
 C909 E3
 C921 C3
 C926 D2
 C934 A4
 C935 D2
 C938 D2
 C939 A2
 C940 B4
 C944 C3
 C945 C4
 C946 B1
 C947 C3
 C948 D3
 C951 B2
 C952 B2
 C953 A2
 C954 A1
 C955 B4
 C956 B2
 C957 C4
 C958 B4
 CN902 A4
 CN903 A1
 CN904 E3
 CN905 A1
 CN906 E1
 D901 D3
 D907 C3
 D908 C4
 D911 C3
 D912 D2
 D918 C4
 D920 C1
 D922 A2
 D924 B4
 D925 C3
 D926 B2
 D927 A3
 F901 E4
 FB903 D3
 FB904 D3
 FB905 D3
 FB914 A2
 FB915 A2
 FB917 B2
 FB918 C3
 FB919 B3
 FB920 B3
 FB921 D2
 FB922 E2
 FB923 E1
 FB924 D3
 FB925 E3
 HBD901 D1
 HD901 D3
 HD922 A3
 HD927 A3
 HQ901 D2
 IC904 C3
 IC907 C4
 IC909 B3
 IC910 C1
 IC911 B4
 IC912 B1
 IC913 B4
 L910 A1
 L911 A4
 L912 E3
 L913 D3
 L914 C1
 L915 C3
 L916 C4
 Q901 C2
 Q902 D2
 Q908 C3
 R924 D2
 R926 D2
 R927 C3
 R932 C1
 R949 C2
 R963 C3
 R964 C1
 R974 C4
 RV902 D4
 T904 B3
 T905 B2
 TH902 E4
 ZD902 C2
 ZD904 C3
 ZD906 B4
 ZD908 C4

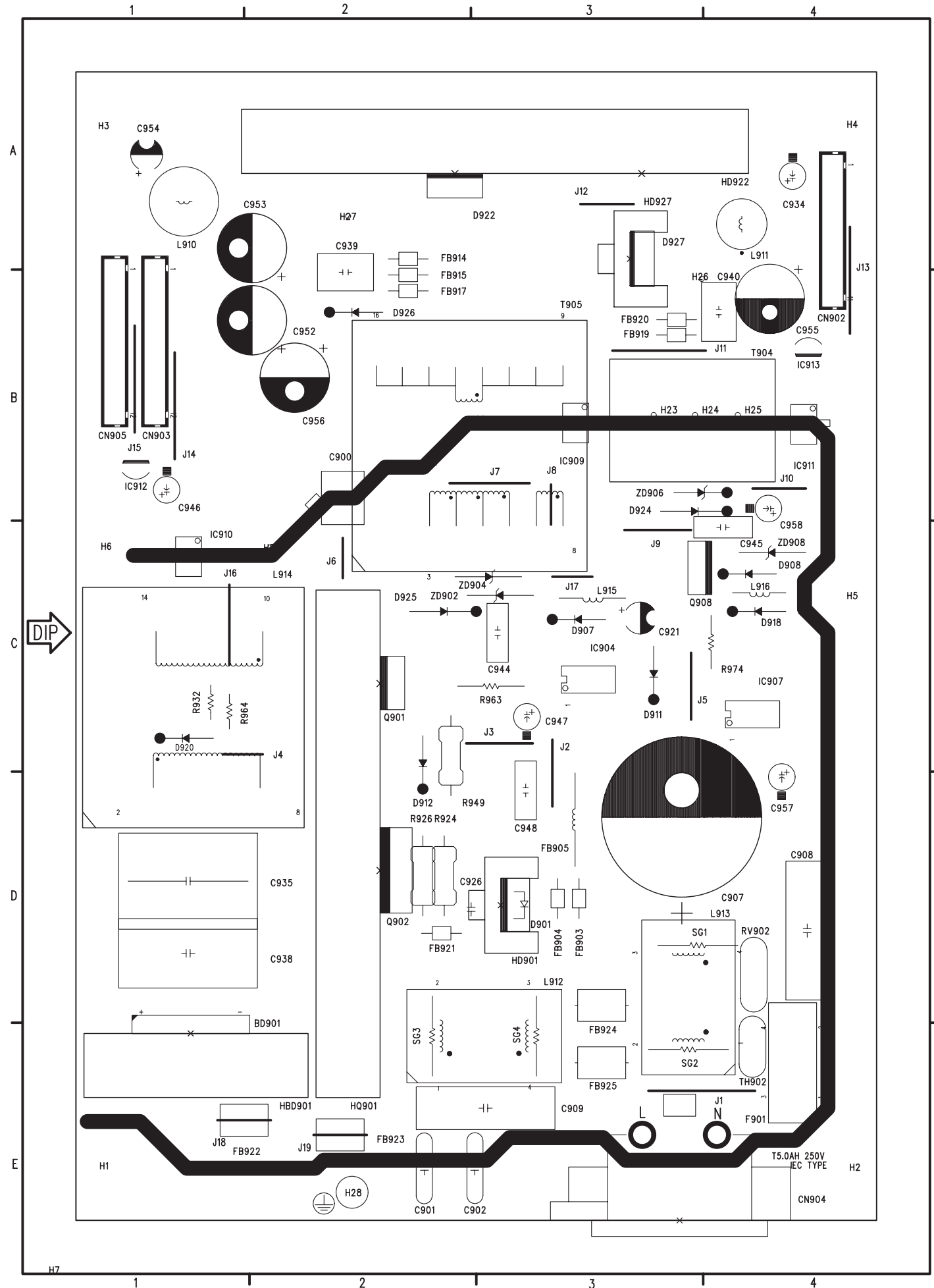
7.Circuit Diagrams and PWB Layouts

Power Board Layout(Bottom Side for 42PFL)



- C912 C1
- C913 C2
- C914 C3
- C916 C1
- C917 C4
- C919 C4
- C920 C1
- C922 C3
- C924 B4
- C937 B3
- C943 B1
- C959 B1
- C960 B4
- C961 C1
- C962 C1
- D906 C3
- D910 B2
- D914 C3
- D915 D2
- D919 C4
- D929 B4
- IC902 C1
- Q912 B3
- Q913 B3
- Q914 B3
- Q915 B3
- Q916 C1
- R913 C1
- R914 C4
- R915 B3
- R916 B3
- R918 C1
- R922 C3
- R923 C3
- R925 C3
- R928 B3
- R929 D2
- R930 C3
- R933 C4
- R934 C4
- R935 C4
- R936 B1
- R937 B1
- R938 B1
- R939 B1
- R940 B1
- R941 B4
- R942 C3
- R943 B4
- R944 B4
- R945 B4
- R946 A4
- R947 B4
- R948 B3
- R950 C3
- R951 B3
- R952 D2
- R953 C3
- R956 B3
- R957 B2
- R958 C3
- R959 D3
- R960 D2
- R961 D2
- R962 C1
- R965 C4
- R969 D3
- R970 D3
- R971 D3
- R972 C1
- R973 C2
- R975 B3
- R976 B3
- R977 B4
- R978 C4
- R979 C3
- R980 C1
- R981 C1

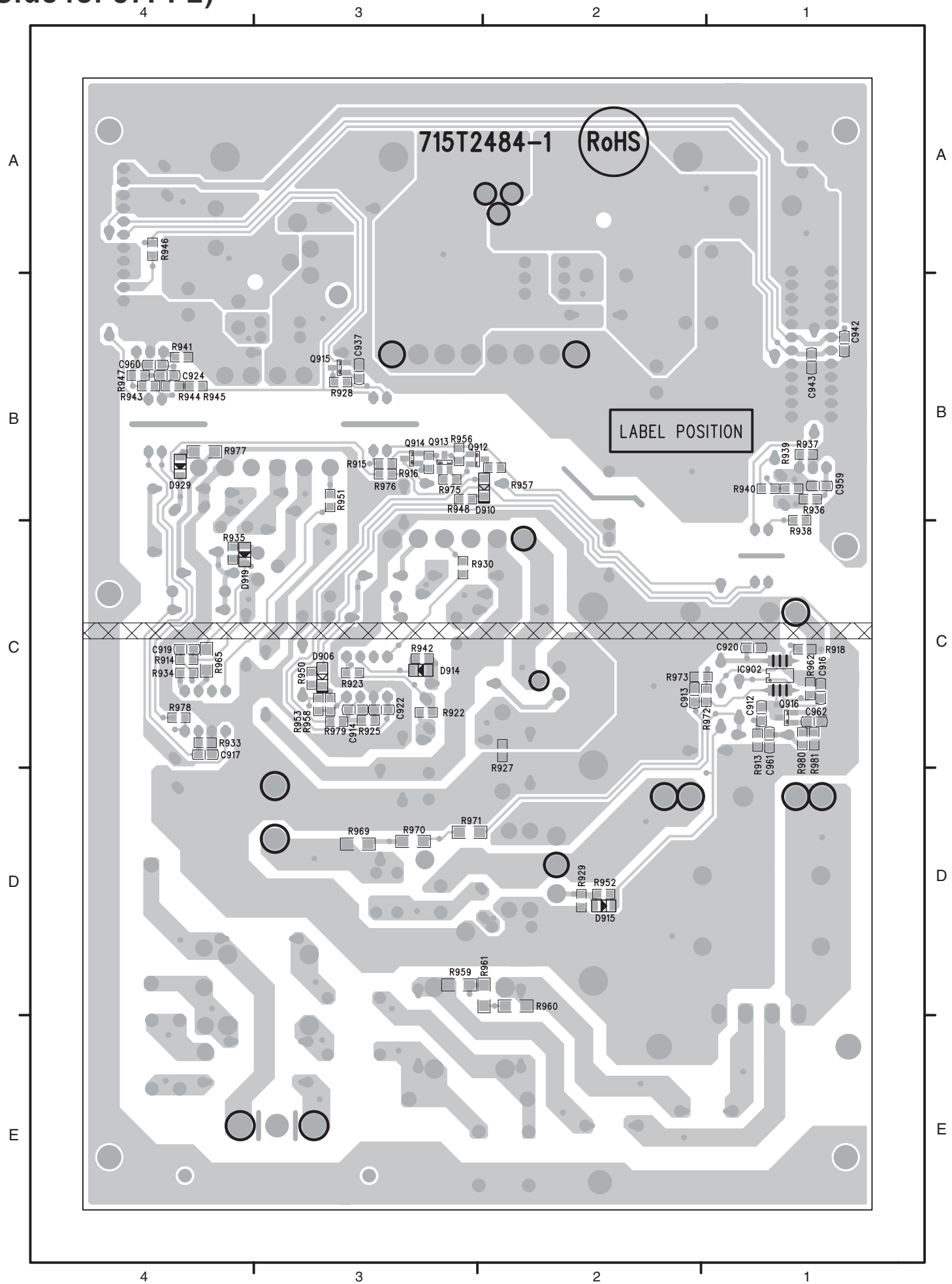
Power Board Layout (Top Side for 37PFL)



- BD901 D1 FB915 B2
- C900 B2 FB917 B2
- C901 E2 FB919 B3
- C902 E2 FB920 B3
- C907 D3 FB921 D2
- C908 D4 FB922 E2
- C909 E3 FB923 E2
- C921 C3 FB924 D3
- C926 D2 FB925 E3
- C934 A4 HBD901 E1
- C935 D1 HD901 D3
- C938 D1 HD922 A3
- C939 B2 HD927 A3
- C940 B4 HQ901 D2
- C944 C3 IC904 C3
- C945 C4 IC907 C4
- C946 B1 IC909 B3
- C947 C3 IC910 C1
- C948 D3 IC911 B4
- C952 B2 IC912 B1
- C953 A2 IC913 B4
- C954 A1 L910 A1
- C955 B4 L911 A4
- C956 B2 L912 E3
- C957 D4 L913 D3
- C958 B4 L914 C1
- CN902 A4 L915 C3
- CN903 A1 L916 C4
- CN904 E3 Q901 C2
- CN905 A1 Q902 D2
- D901 D3 Q908 C3
- D907 C3 R924 D2
- D908 C4 R926 D2
- D911 C3 R932 C1
- D912 D2 R949 C2
- D918 C4 R963 C3
- D920 C1 R964 C1
- D922 A2 R974 C4
- D924 B4 RV902 D4
- D925 C3 T904 B3
- D926 B2 T905 B2
- D927 A3 TH902 E4
- F901 E4 ZD902 C2
- FB903 D3 ZD904 C3
- FB904 D3 ZD906 B4
- FB905 D3 ZD908 C4
- FB914 A2

7.Circuit Diagrams and PWB Layouts

Power Board Layout(Bottom Side for 37PFL)



C912	C1	R933	C4
C913	C2	R934	C4
C914	C3	R935	C4
C916	C1	R936	B1
C917	C4	R937	B1
C919	C4	R938	B1
C920	C1	R939	B1
C922	C3	R940	B1
C924	B4	R941	B4
C937	B3	R942	C3
C942	B1	R943	B4
C943	B1	R944	B4
C959	B1	R945	B4
C960	B4	R946	A4
C961	C1	R947	B4
C962	C1	R948	B3
D906	C3	R950	C3
D910	B2	R951	B3
D914	C3	R952	D2
D915	D2	R953	C3
D919	C4	R956	B3
D929	B4	R957	B2
IC902	C1	R958	C3
Q912	B3	R959	D3
Q913	B3	R960	D2
Q914	B3	R961	D2
Q915	B3	R962	C1
Q916	C1	R965	C4
R913	C1	R969	D3
R914	C4	R970	D3
R915	B3	R971	D3
R916	B3	R972	C1
R918	C1	R973	C2
R922	C3	R975	B3
R923	C3	R976	B3
R925	C3	R977	B4
R927	C2	R978	C4
R928	B3	R979	C3
R929	D2	R980	C1
R930	C3	R981	C1