

F

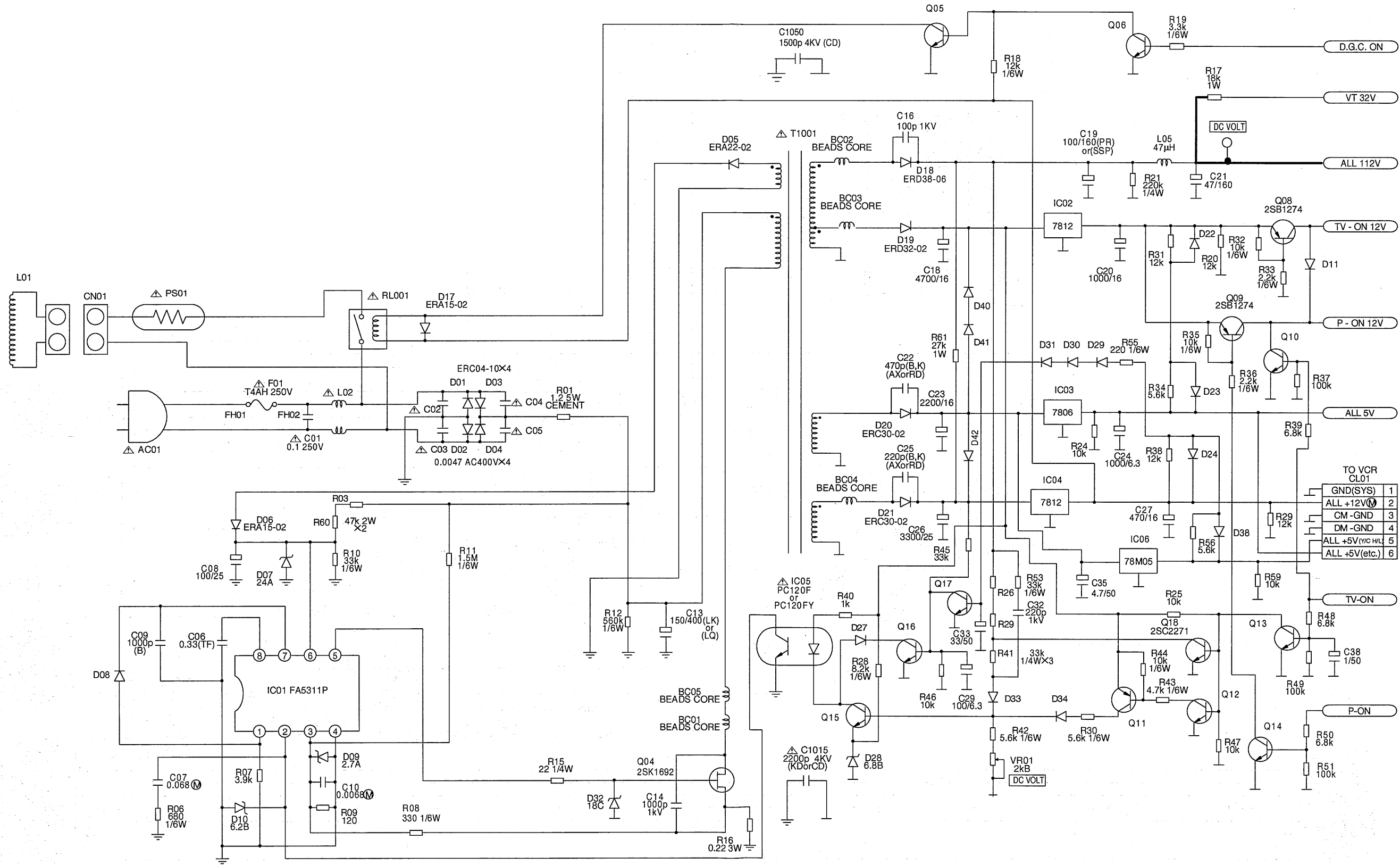
E

D

C

B

A



TO VCR CL01	
GND(SYS)	1
ALL +12V	2
CM -GND	3
DM -GND	4
ALL +5V(VIC H/L)	5
ALL +5V(etc.)	6