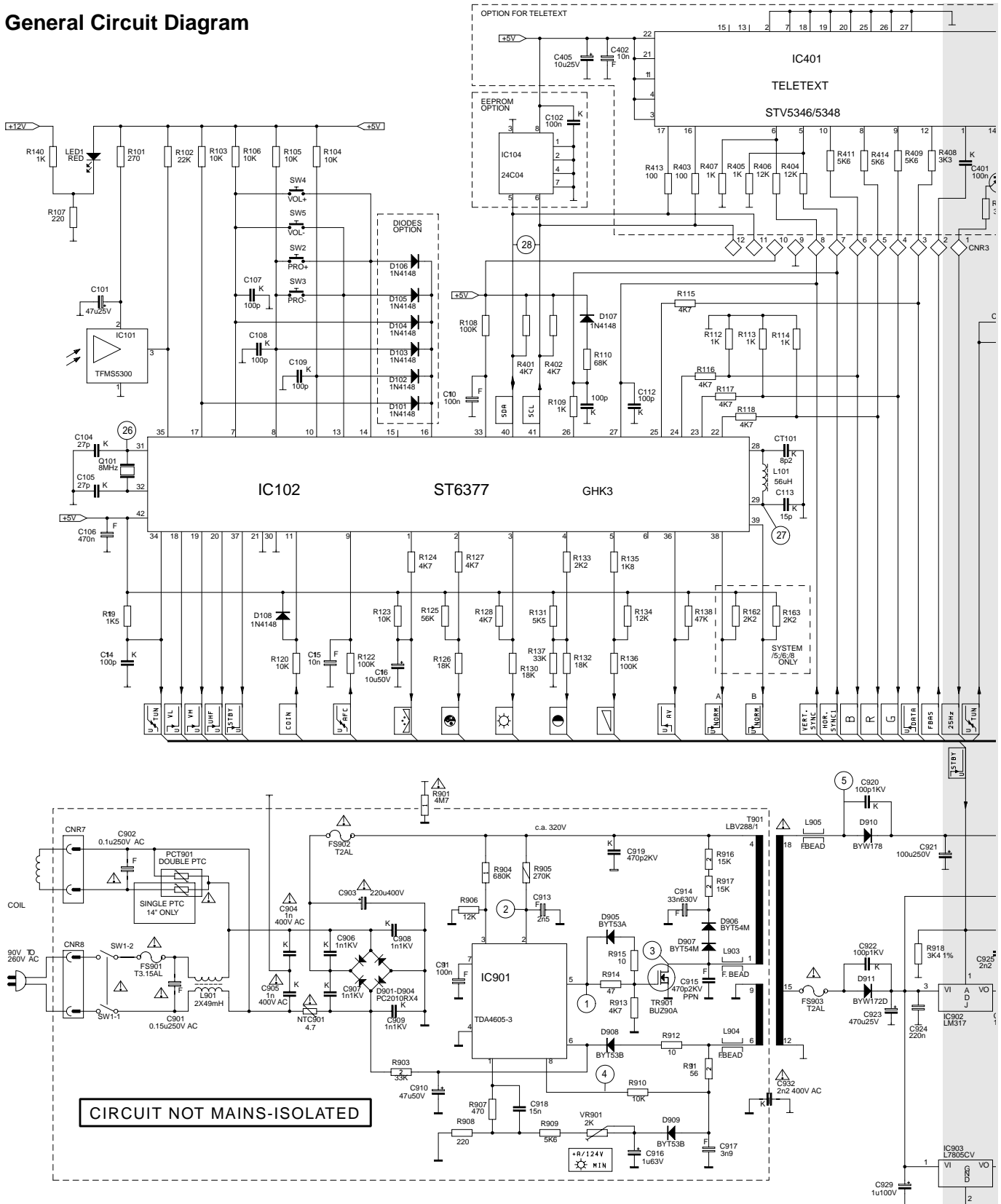
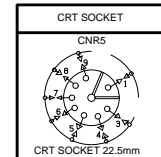


# General Circuit Diagram

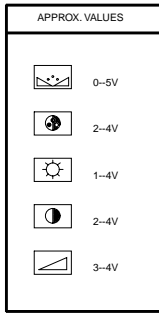
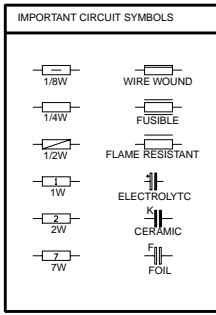


**CIRCUIT NOT MAINS-ISOLATED**

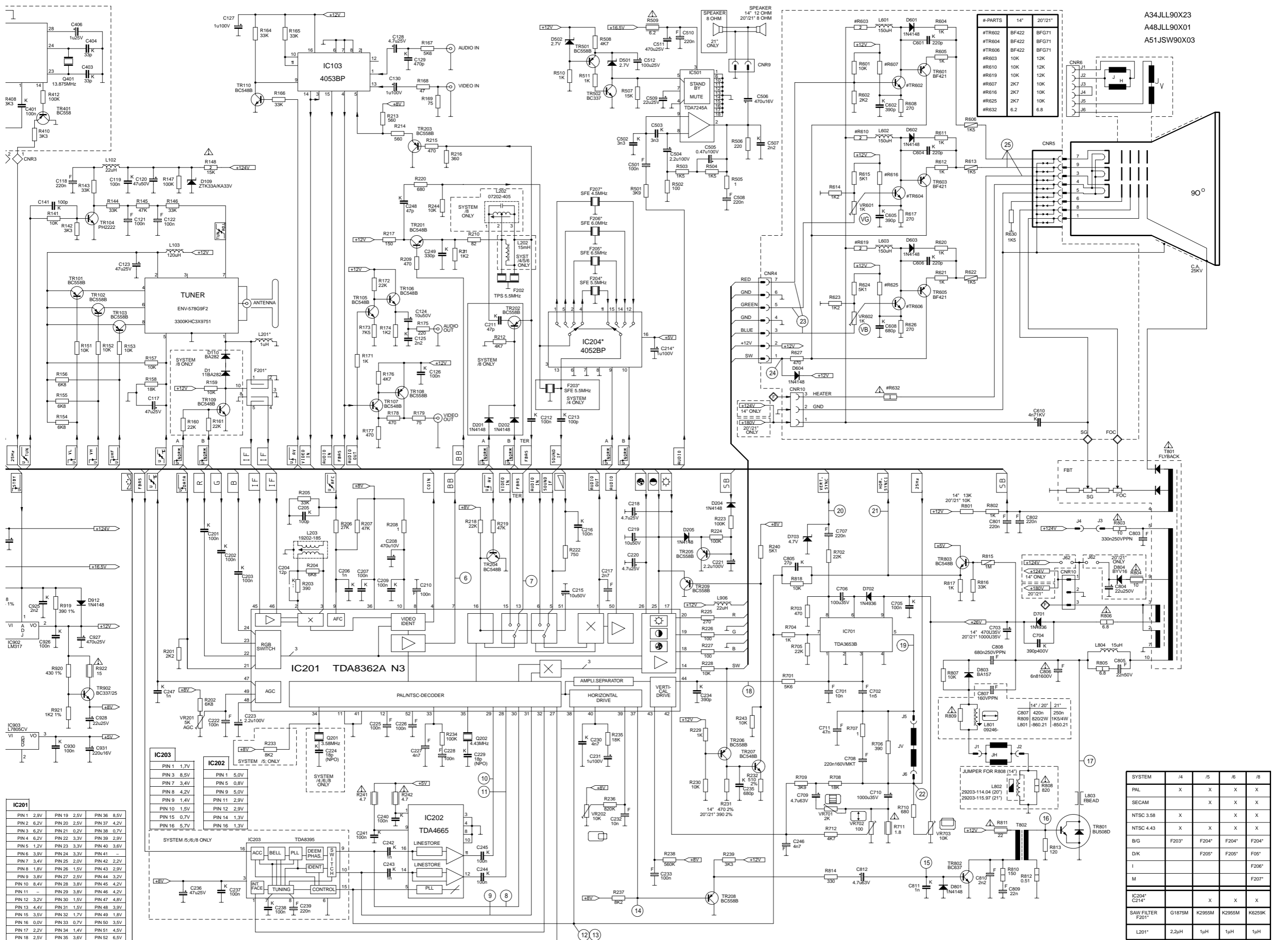
DIODE OPTION		
REF	WITH DIODES	WITHOUT DIODES
D101	WITH LOGO	WITHOUT LOGO
D102	AV2V1.A	AV
D103	MULTI SOUND IF	5.5MHz SOUND IF
D104	TINT	NO TINT
D105	HYPERBAND	NO HYPERBAND
D106	POWER ON START	POWER ON STANDBY



NORM ASSIGNMENT			
STANDARD	U-NORM		B
	A	B	
1	B/G	1	1
2	D/K	1	0
3	I	0	1
4	M	0	0

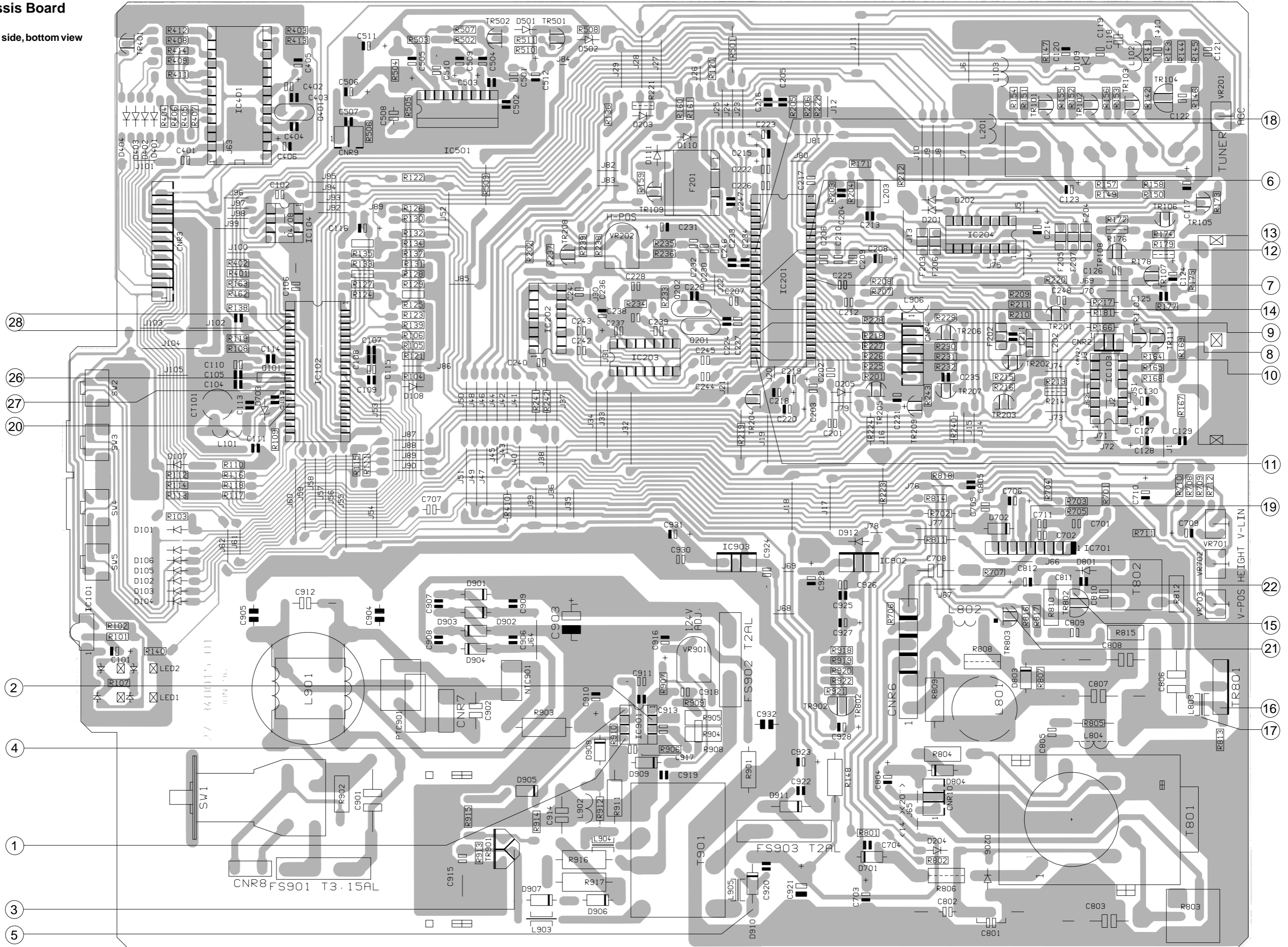


PIN ASSIGNMENT			
1	TINT	29	OSD OSC-OUT
2	COLOUR	30	TEST (GND)
3	BRIGHTNESS	31	OSC-IN
4	CONTRAST	32	OSC-OUT
5	VOLUME	33	RESET
6	AV1/AV2	34	VS TUNING
7	KBROW0	35	REMOTE IN
8	KBROW1	36	AV/TV
9	AFC IN	37	POWER ON/OFF
10	KBROW2	38	SOUND IF SELECT
11	TV STATUS	39	SOUND IF SELECT
12	N.C.	40	SDA
13	KBCOL0	41	SCL
14	KBCOL1	42	5V (VDD)
15	KBCOL2		
16	KBCOL3		
17	KBCOL4		
18	VHF LOW		
19	VHF HIGH		
20	UHF		
21	GROUND (VSS)		
22	RED-OUT		
23	GREEN-OUT		
24	BLUE-OUT		
25	BLANKING		
26	H-SYNC		
27	VSYNC		
28	OSD OSC-IN		

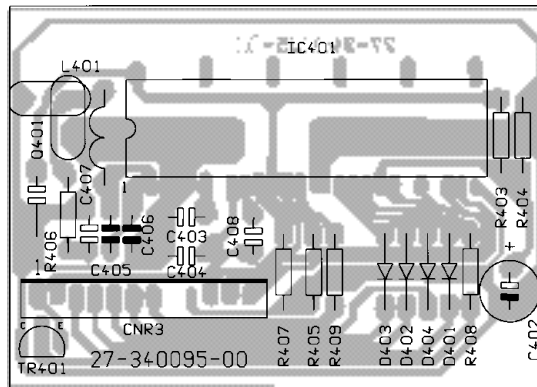
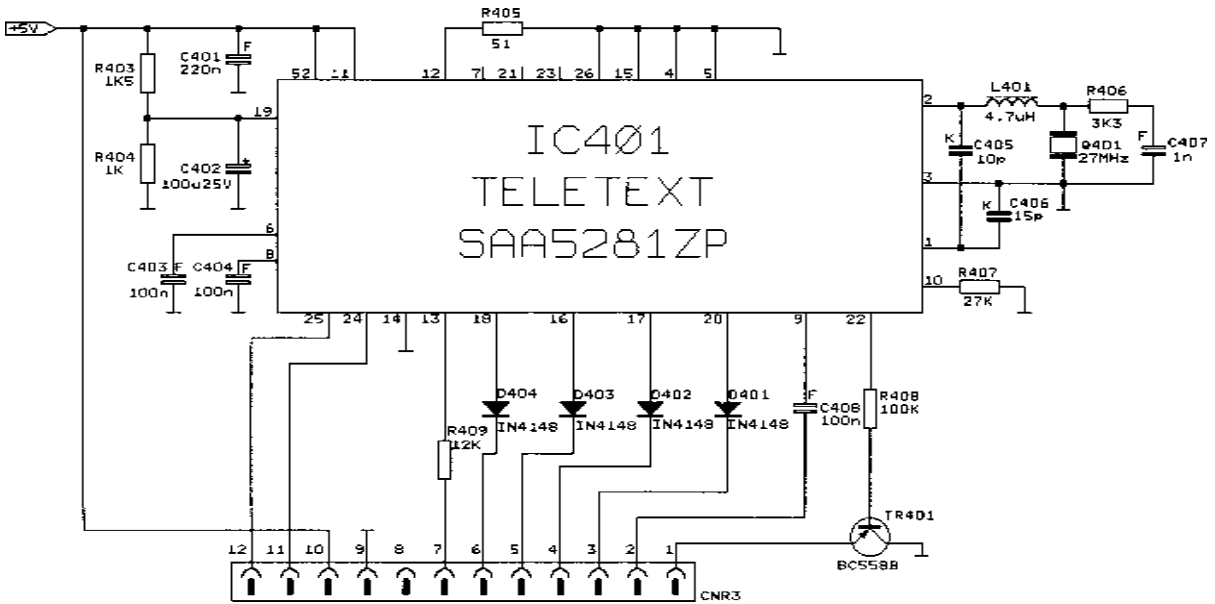


### Chassis Board

Solder side, bottom view



Teletext



CRT Panel

