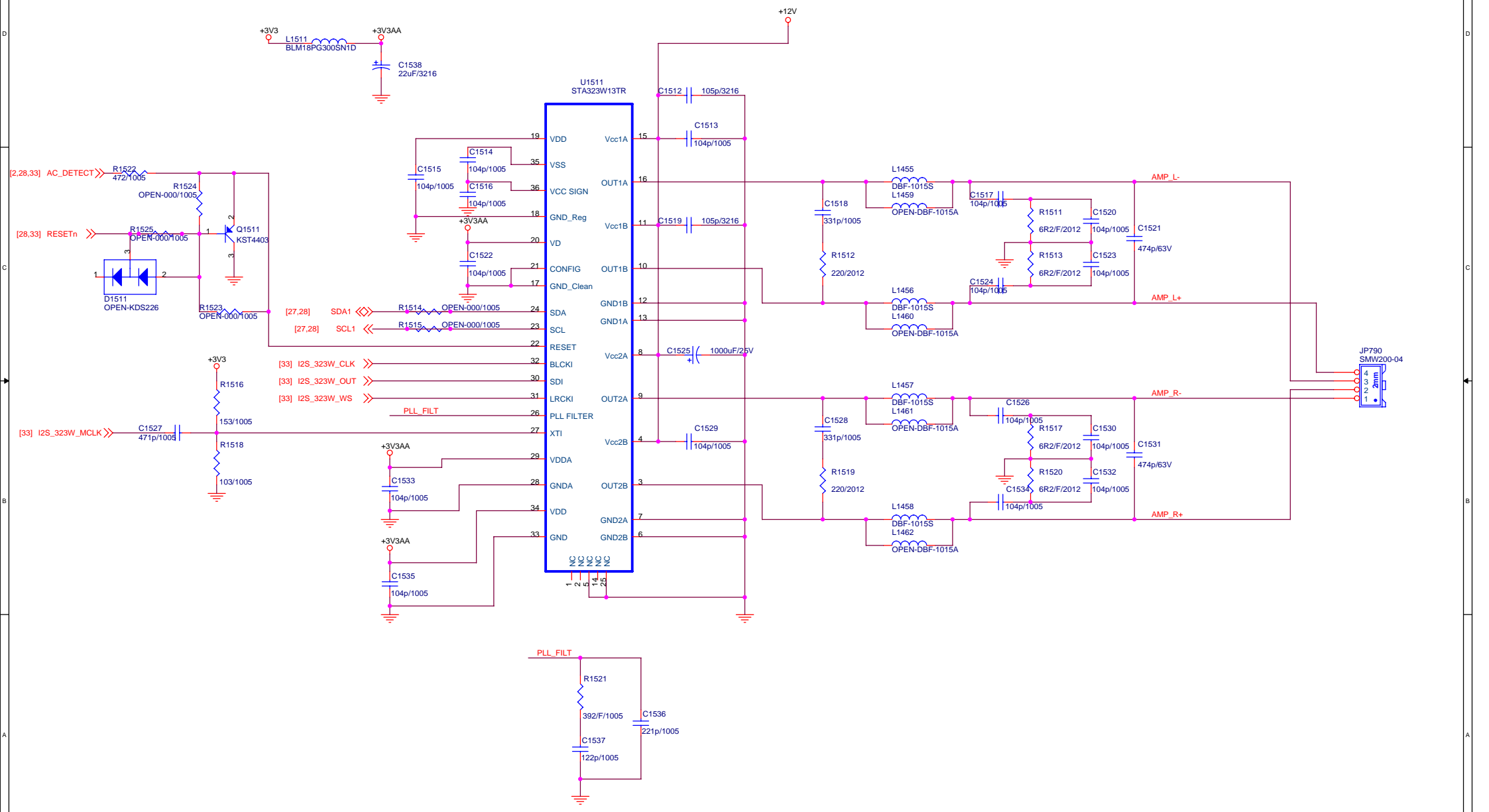
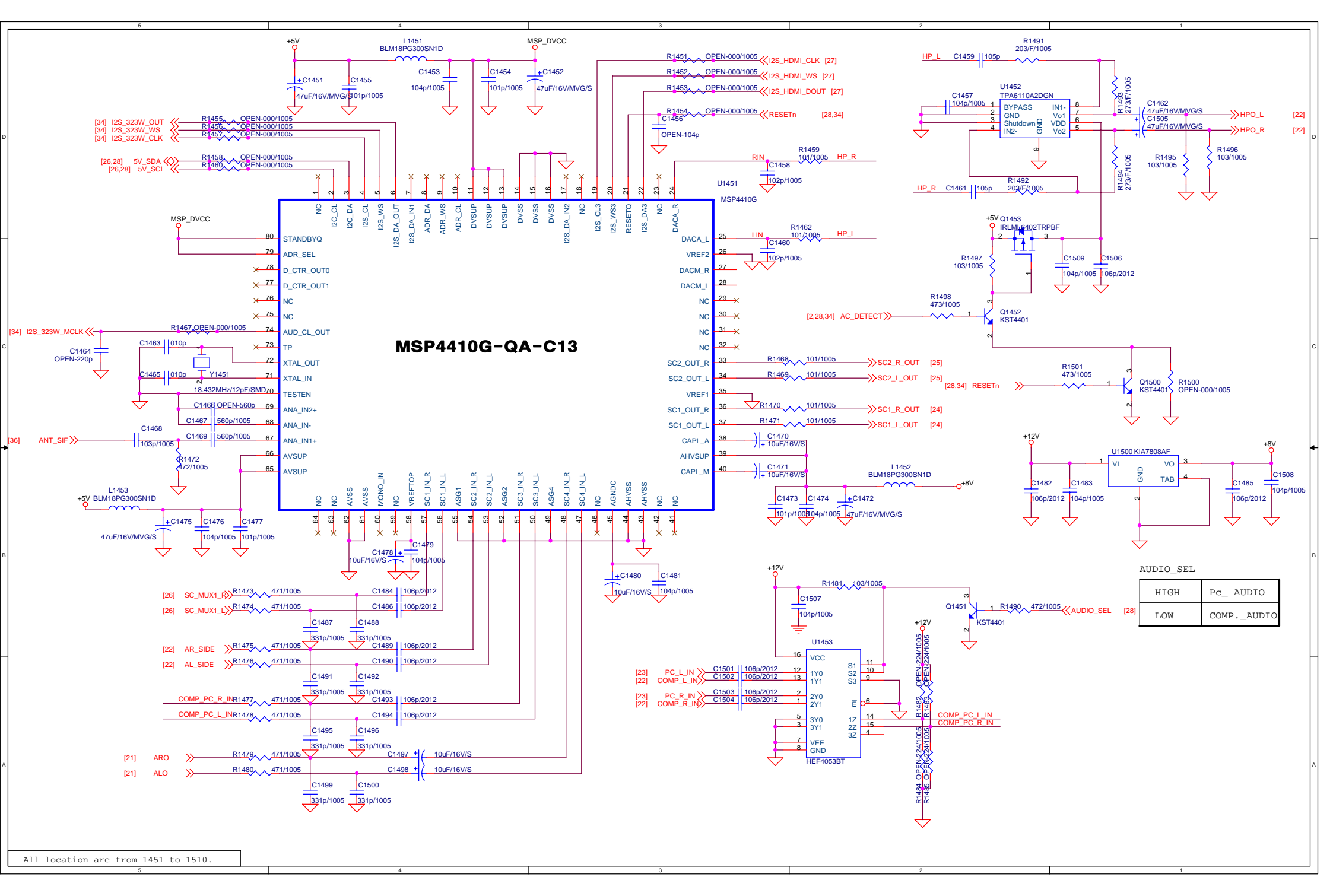


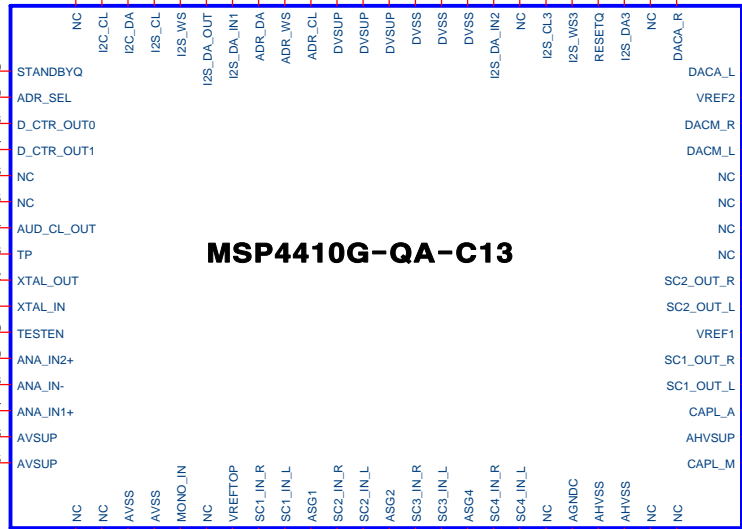
All location are from 1541 to 1560.



All location are from 1511 to 1540.

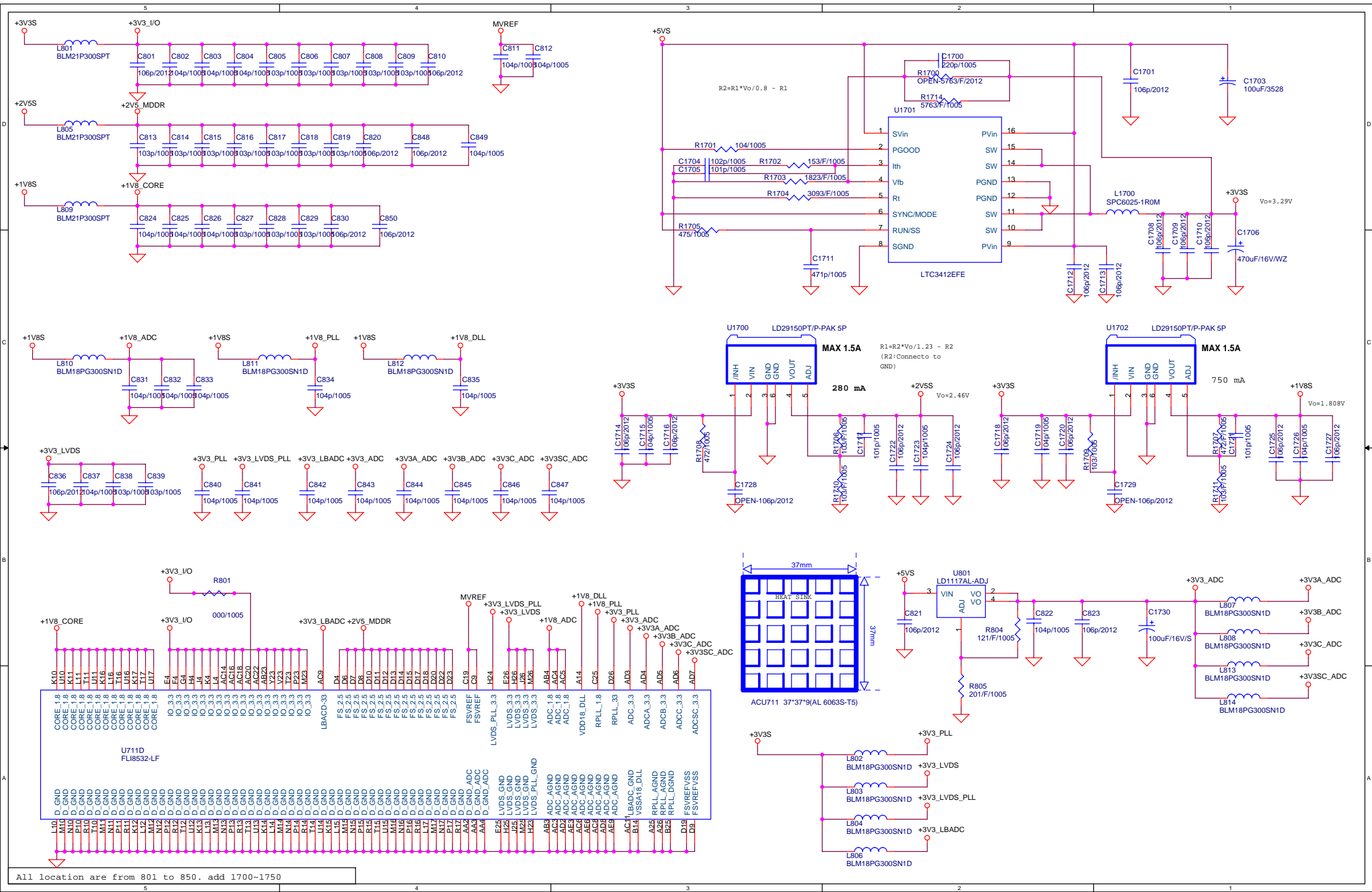


**MSP4410G-QA-C13**

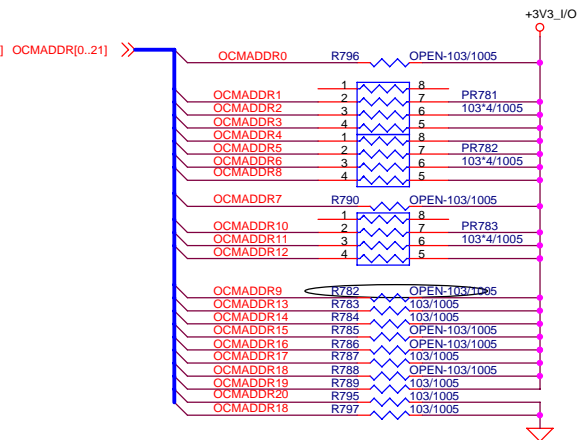
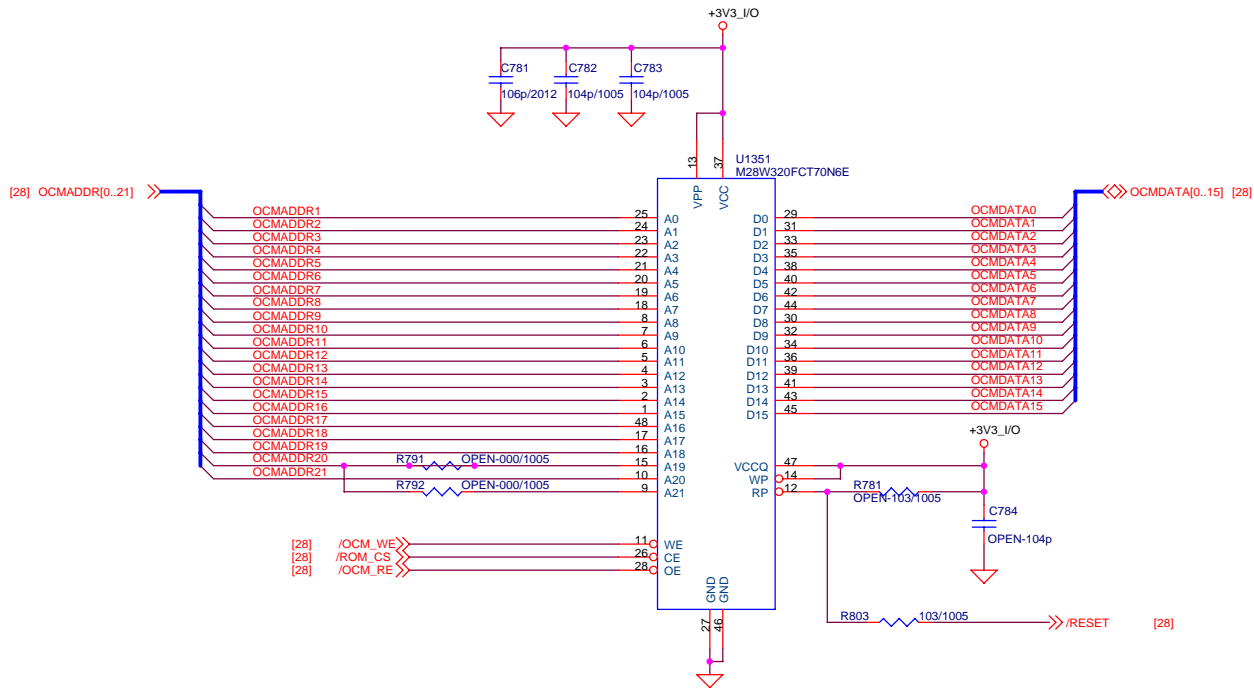


AUDIO_SEL	Signal
HIGH	Pc_ AUDIO
LOW	COMP_ _AUDIO

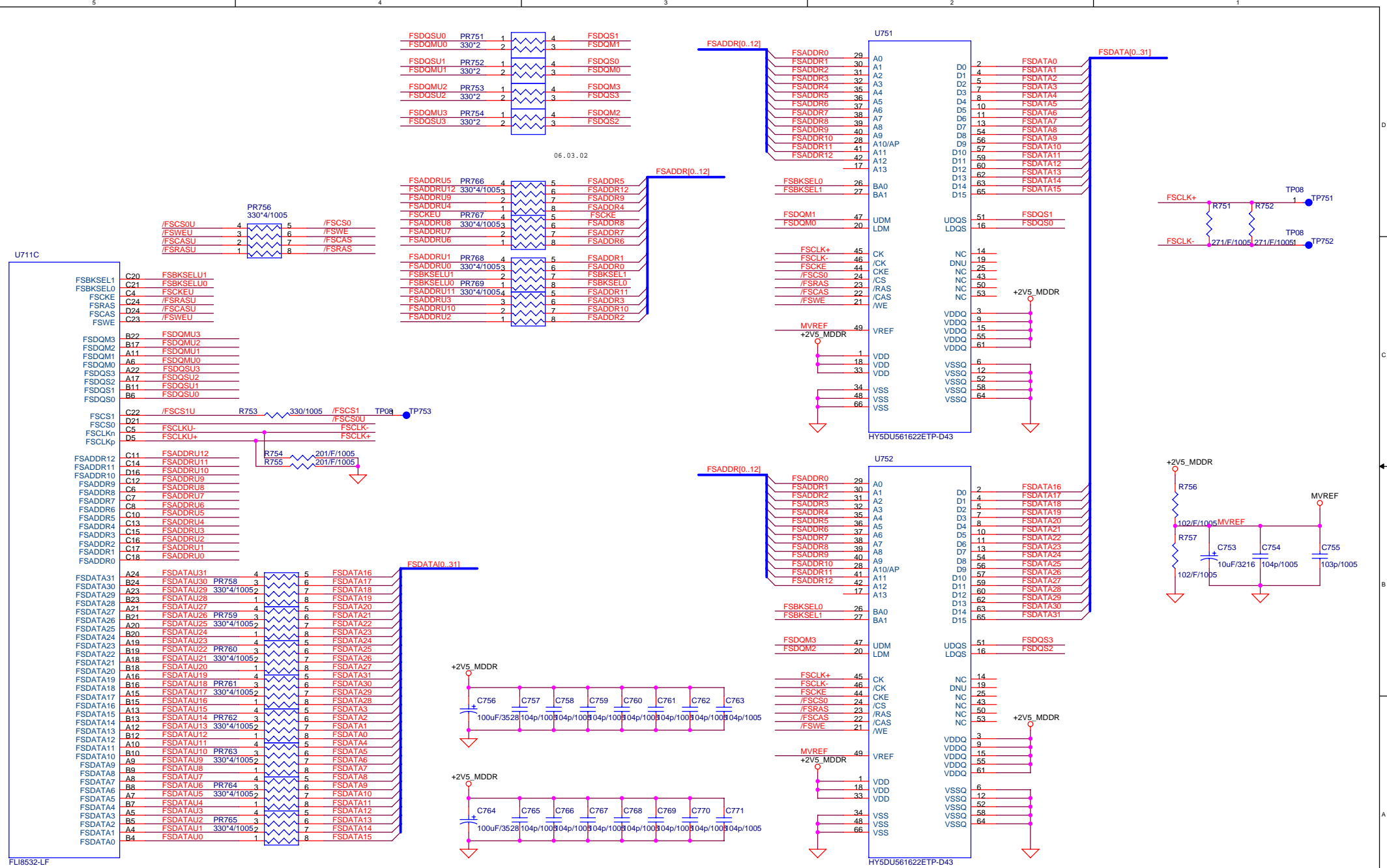
All location are from 1451 to 1510.



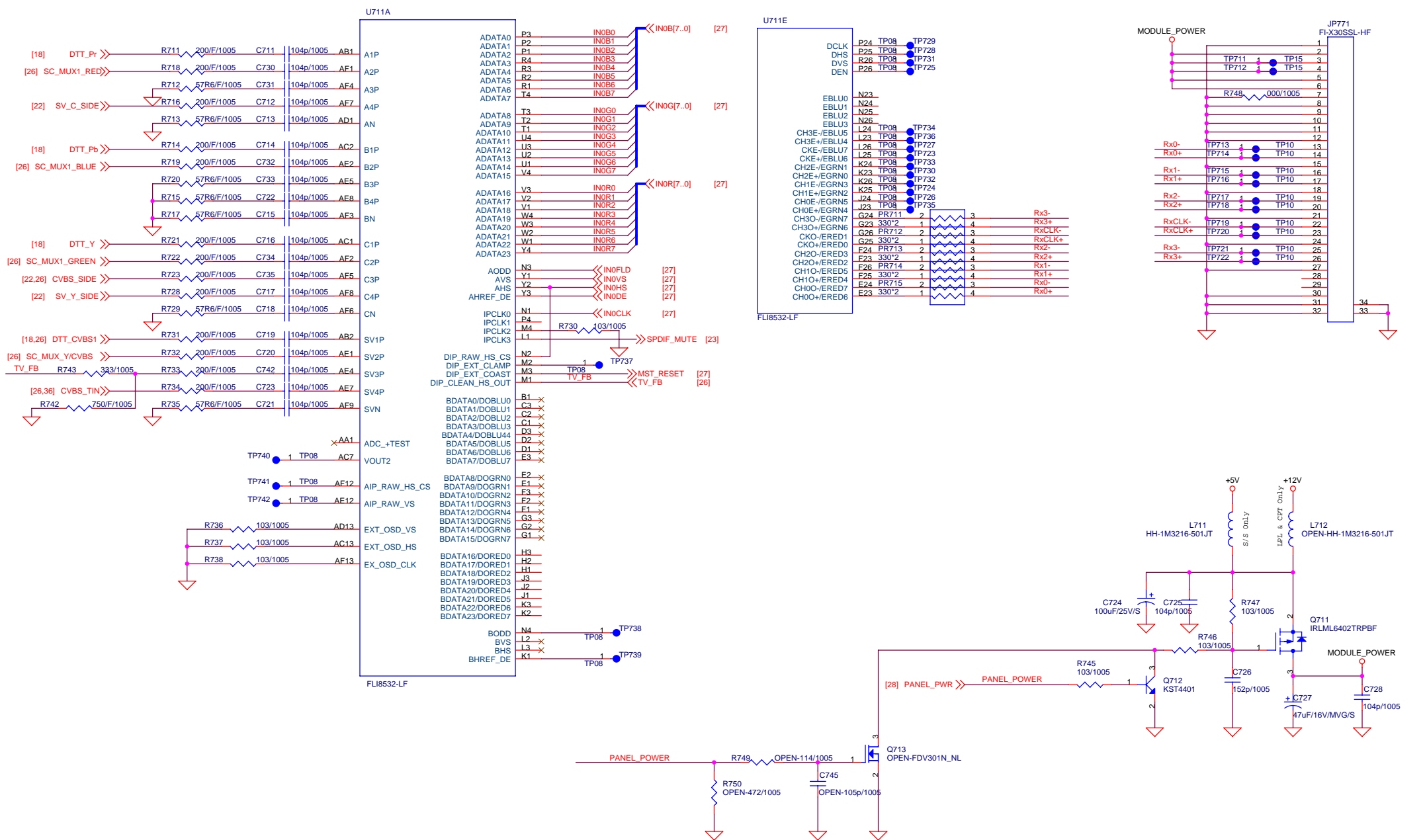
All location are from 801 to 850. add 1700-1750



All location are from 781 to 800.

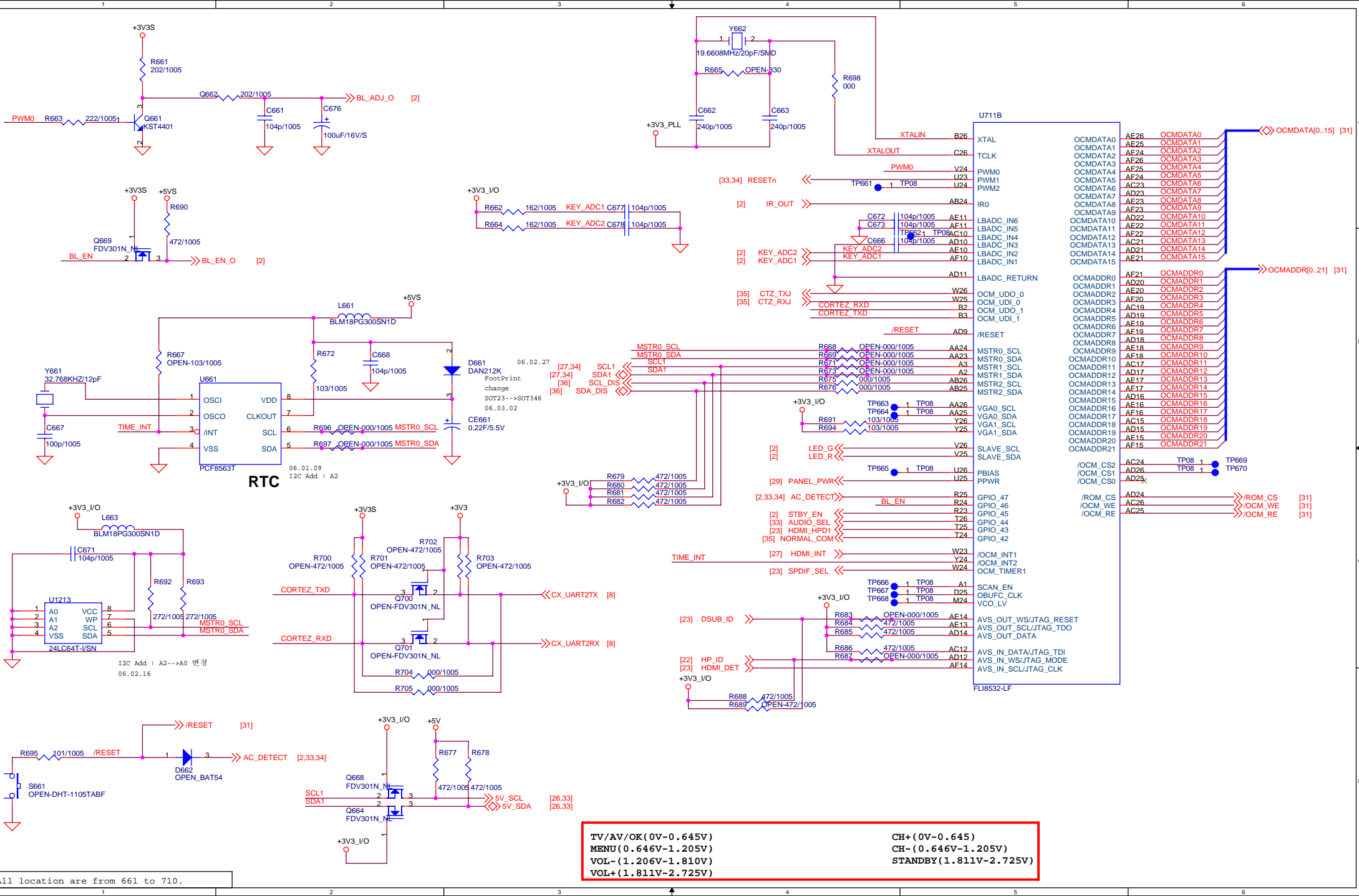


All location are from 751 to 780.



All location are from 711 to 750.

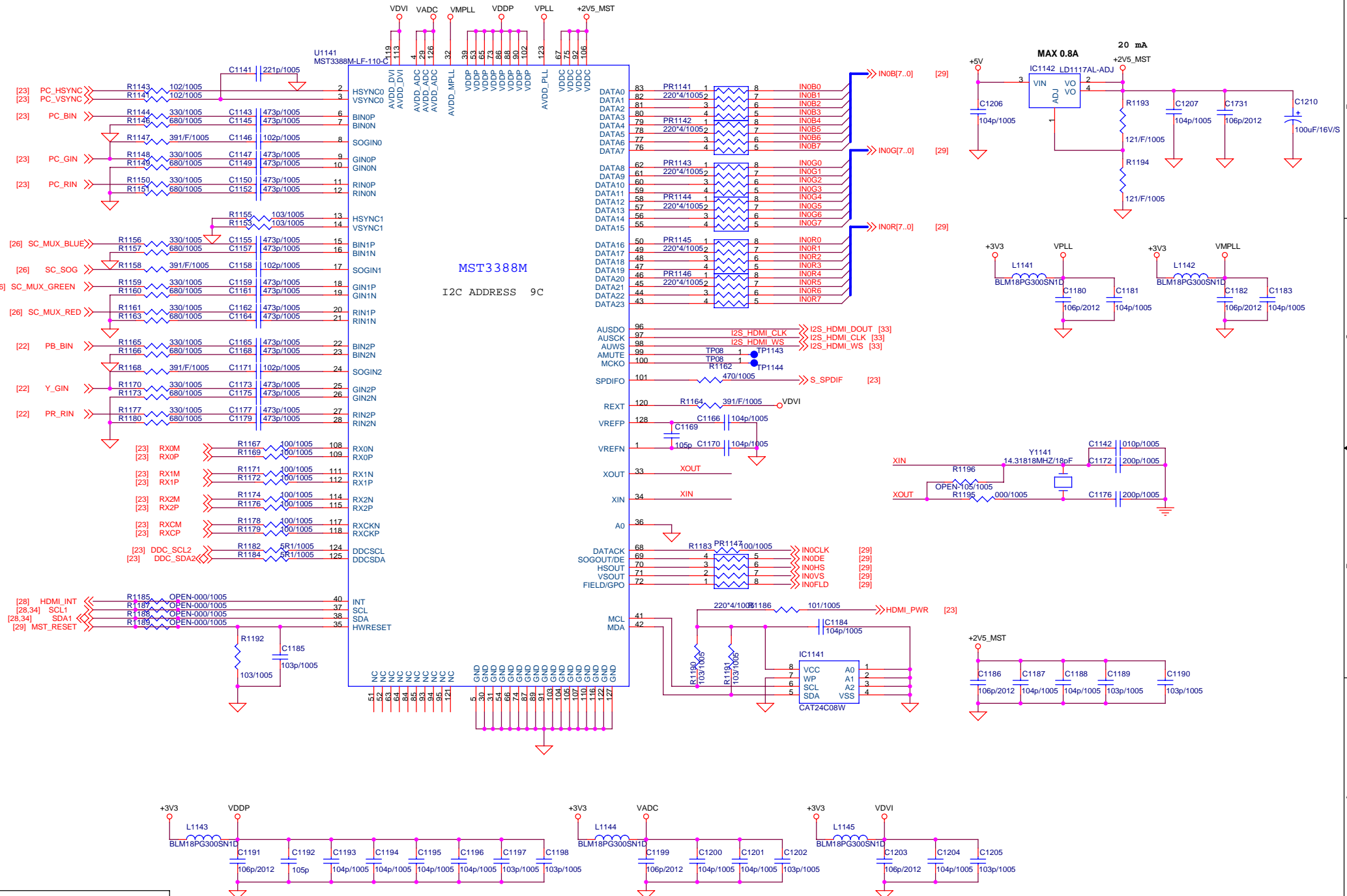




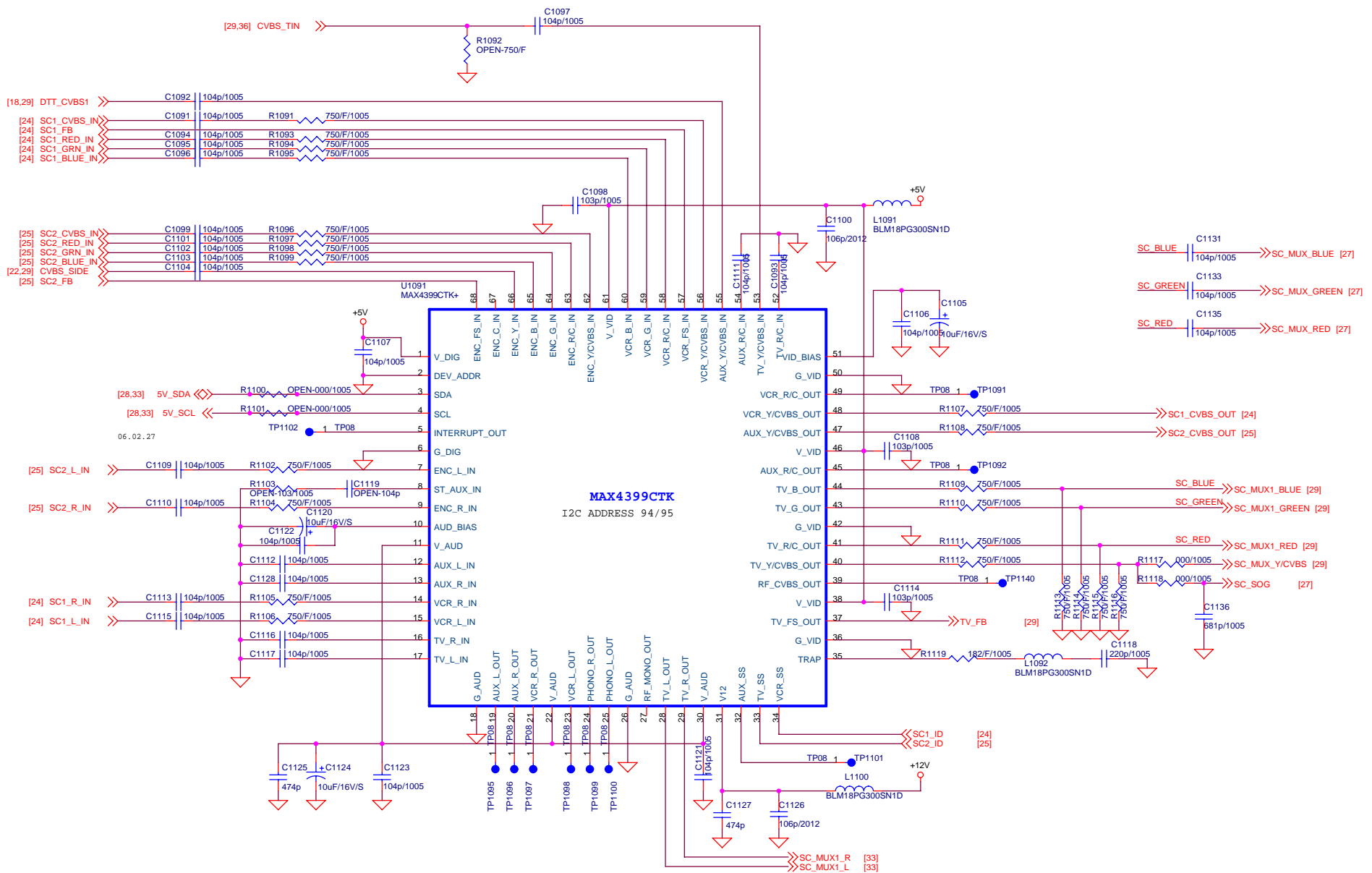
OCMDATA0	AE26	OCMDATA0	OCMDATA[0..15]	[31]
OCMDATA1	AE25	OCMDATA1		
OCMDATA2	AE24	OCMDATA2		
OCMDATA3	AE26	OCMDATA3		
OCMDATA4	AE25	OCMDATA4		
OCMDATA5	AE24	OCMDATA5		
OCMDATA6	AC23	OCMDATA6		
OCMDATA7	AD23	OCMDATA7		
OCMDATA8	AE23	OCMDATA8		
OCMDATA9	AE23	OCMDATA9		
OCMDATA10	AE22	OCMDATA10		
OCMDATA11	AE22	OCMDATA11		
OCMDATA12	AD22	OCMDATA12		
OCMDATA13	AC21	OCMDATA13		
OCMDATA14	AD21	OCMDATA14		
OCMDATA15	AE21	OCMDATA15		
OCMADDR0	AF21	OCMADDR0	OCMADDR[0..21]	[31]
OCMADDR1	AD20	OCMADDR1		
OCMADDR2	AE20	OCMADDR2		
OCMADDR3	AF20	OCMADDR3		
OCMADDR4	AC19	OCMADDR4		
OCMADDR5	AD19	OCMADDR5		
OCMADDR6	AE19	OCMADDR6		
OCMADDR7	AF19	OCMADDR7		
OCMADDR8	AD18	OCMADDR8		
OCMADDR9	AE18	OCMADDR9		
OCMADDR10	AC17	OCMADDR10		
OCMADDR11	AD17	OCMADDR11		
OCMADDR12	AE17	OCMADDR12		
OCMADDR13	AF17	OCMADDR13		
OCMADDR14	AD16	OCMADDR14		
OCMADDR15	AE16	OCMADDR15		
OCMADDR16	AF16	OCMADDR16		
OCMADDR17	AC15	OCMADDR17		
OCMADDR18	AD15	OCMADDR18		
OCMADDR19	AE15	OCMADDR19		
OCMADDR20	AF15	OCMADDR20		
OCMADDR21	AD24	OCMADDR21		
/OCM_CS2	AC24	TP08_1	TP669	
/OCM_CS1	AD26	TP08_1	TP670	
/OCM_CS0	AD25			
/ROM_CS	AD24			[31]
/OCM_WE	AC26			[31]
/OCM_RE	AC25			[31]

**TV+ (0V-0.645V)**  
**MENU (0.646V-1.205V)**  
**VOL- (1.206V-1.810V)**  
**VOL+ (1.811V-2.725V)**  
**CH+ (0V-0.645)**  
**CH- (0.646V-1.205V)**  
**STANDBY (1.811V-2.725V)**

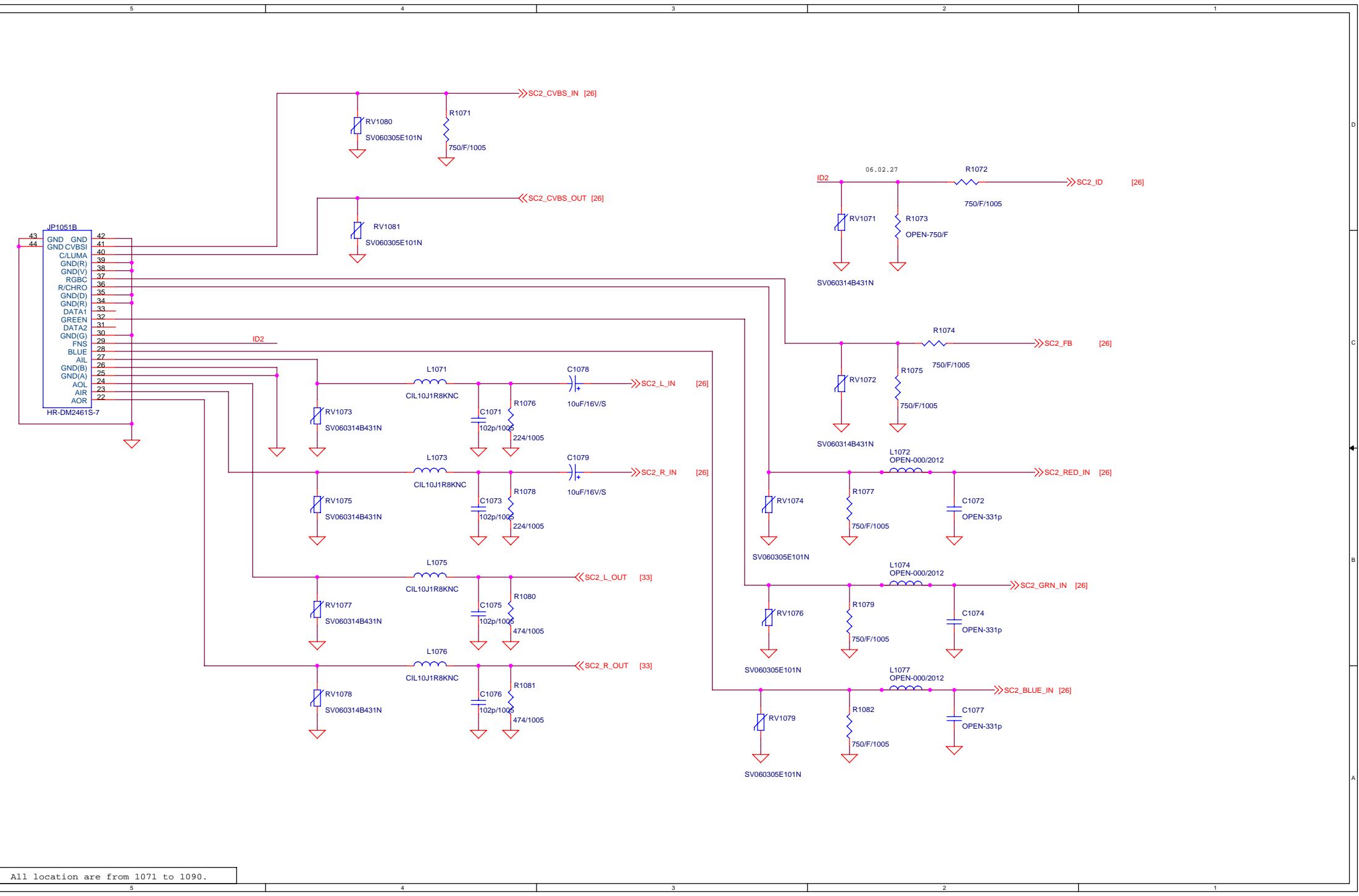
All location are from 661 to 710.



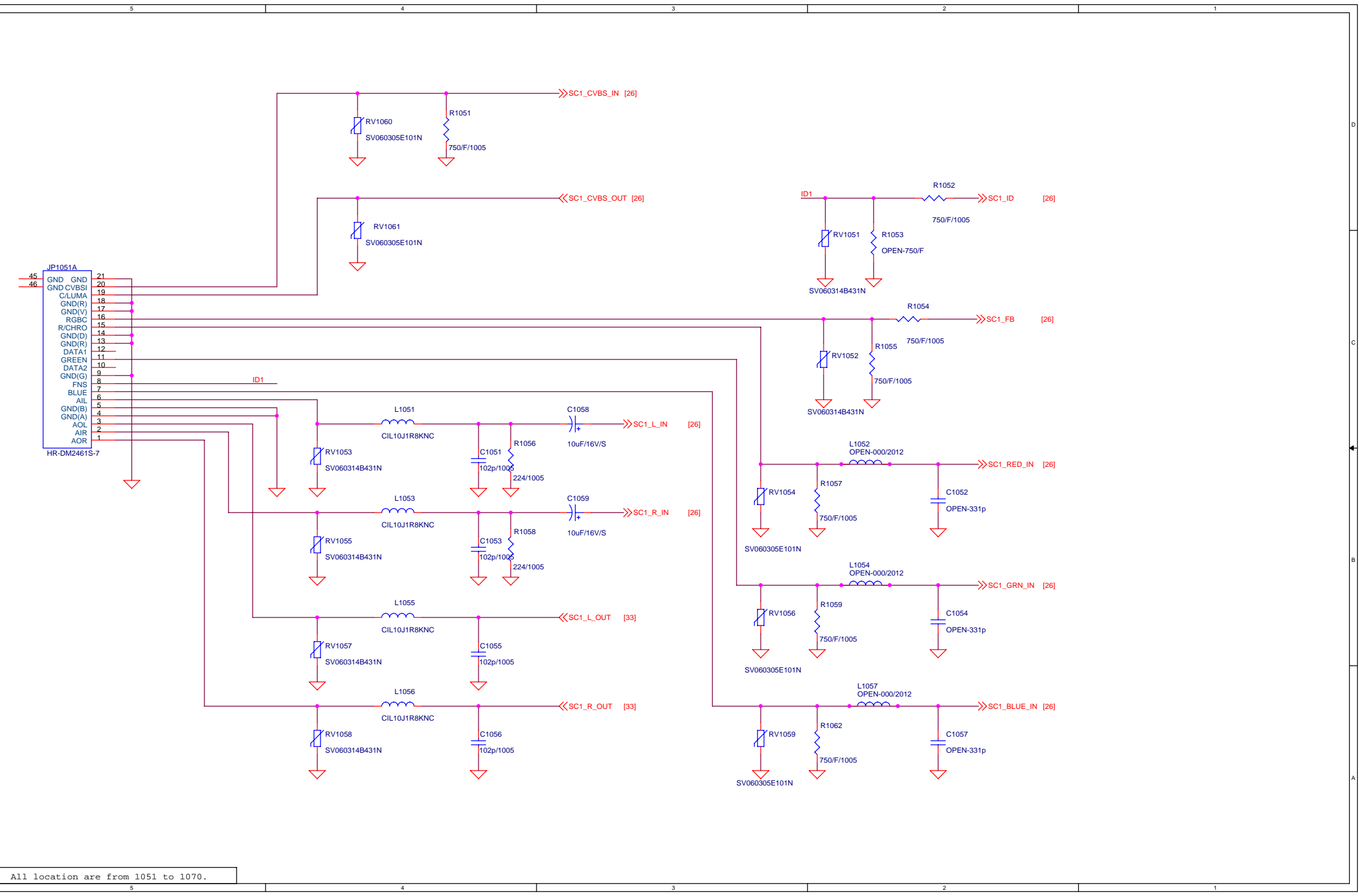
All location are from 1141 to 1210.



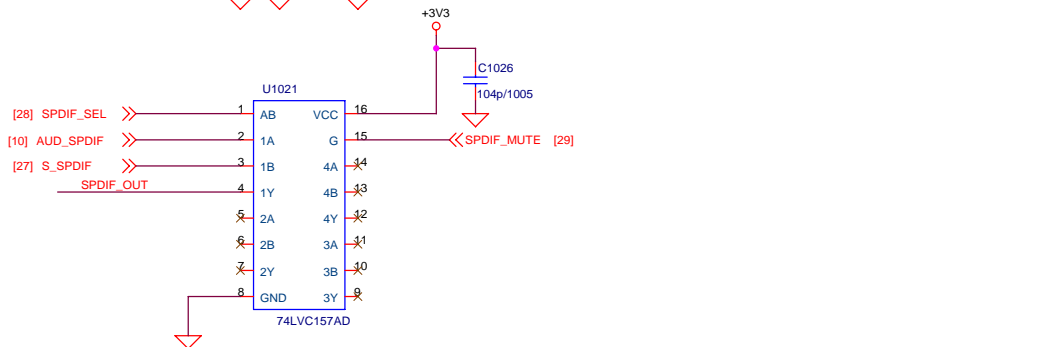
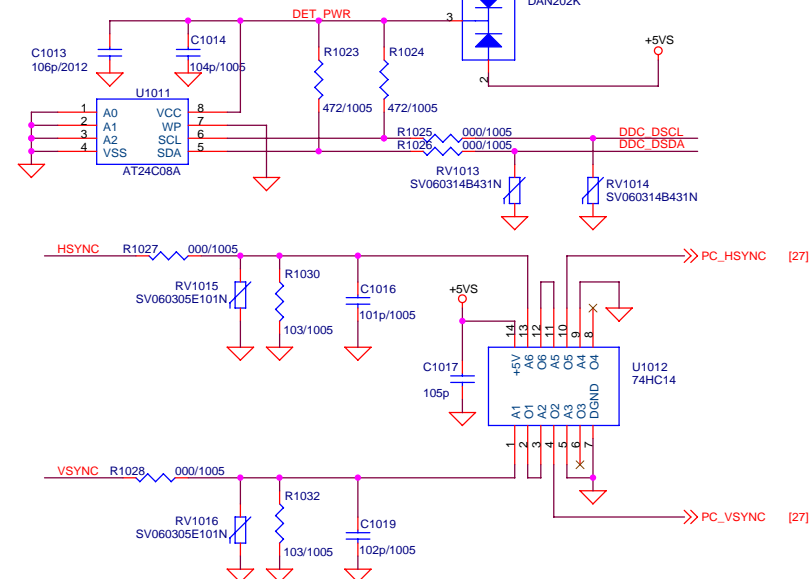
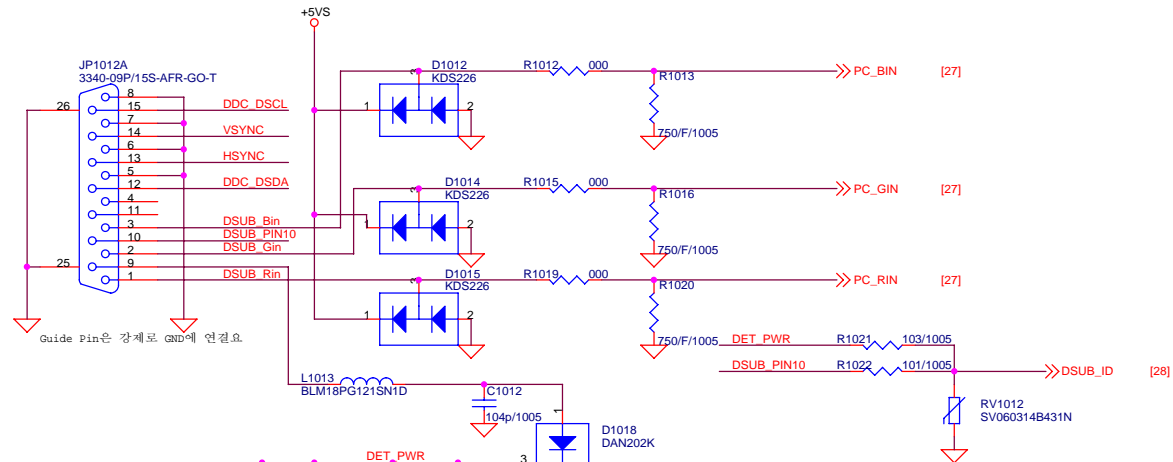
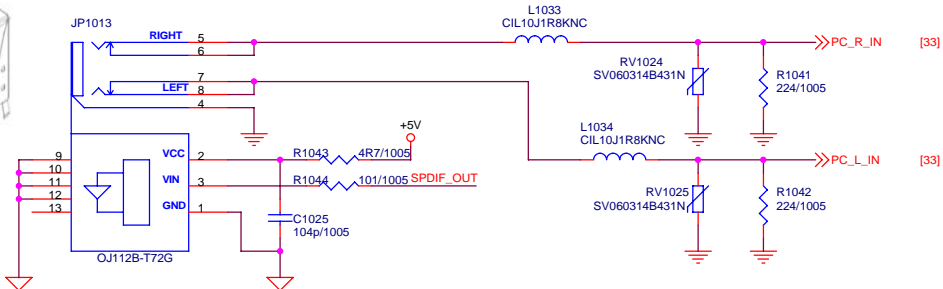
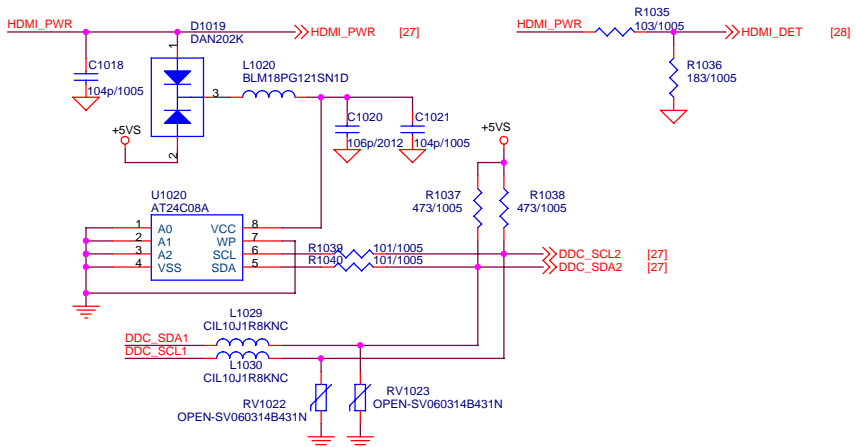
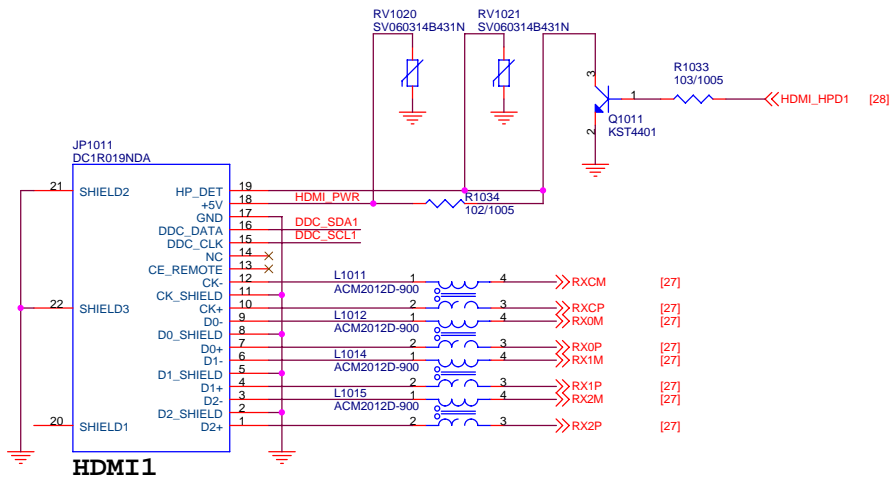
All location are from 1091 to 1140.



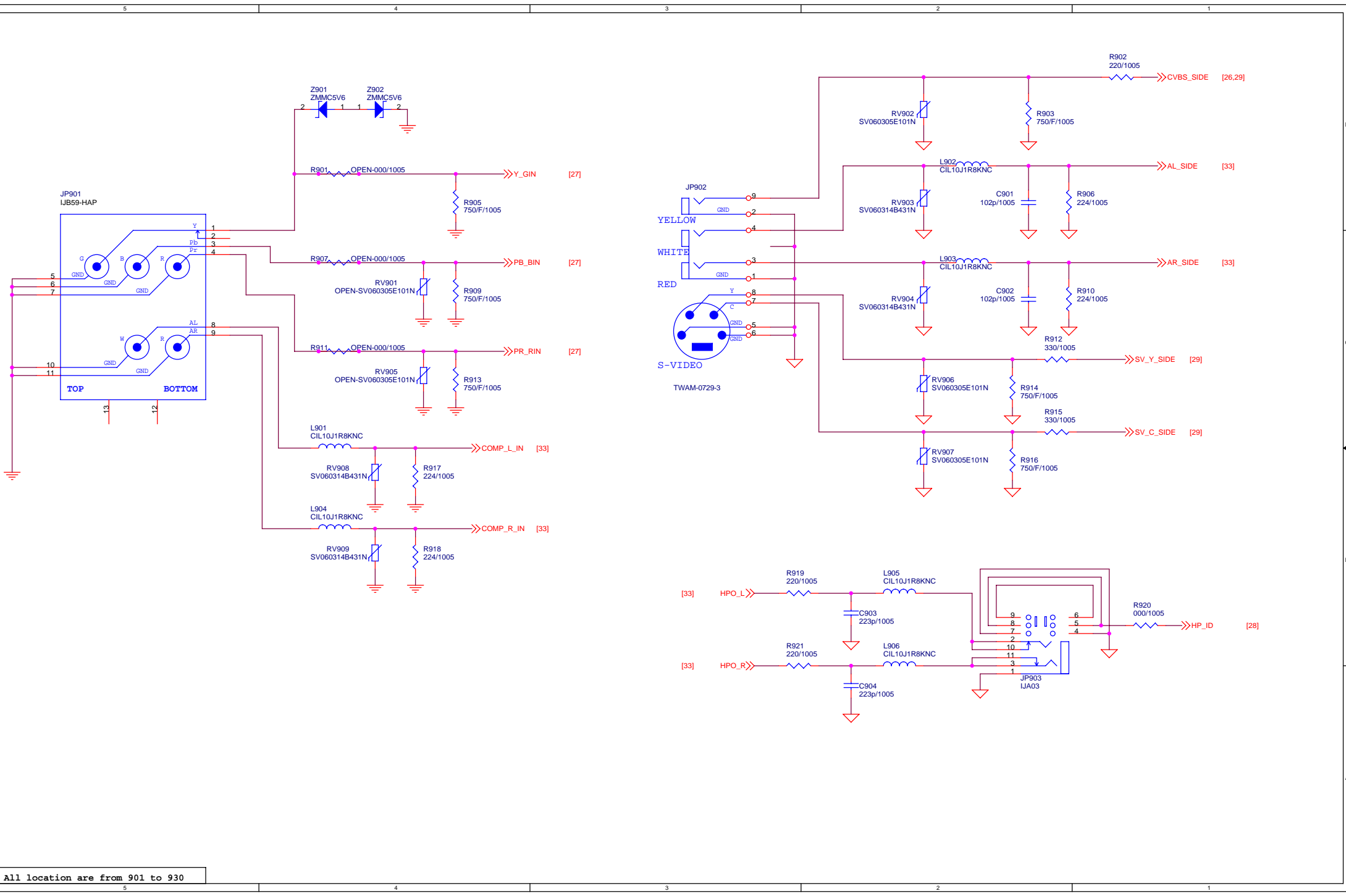
All location are from 1071 to 1090.



All location are from 1051 to 1070.

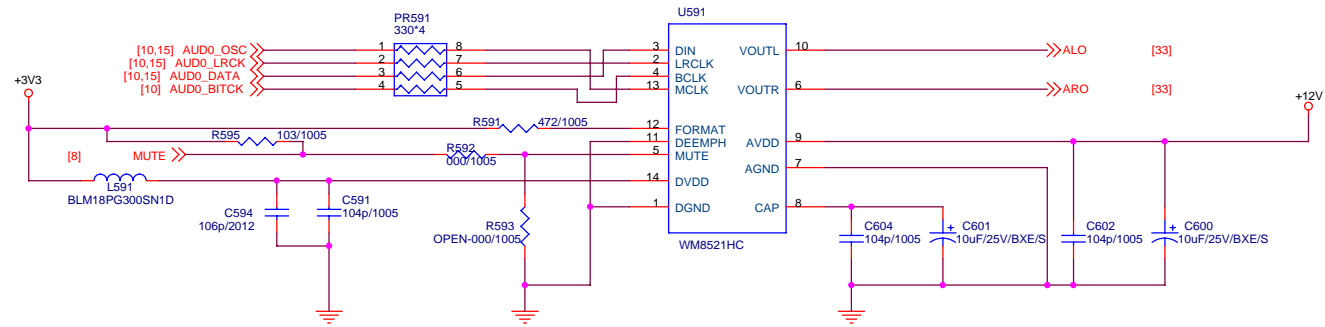


All location are from 1011 to1050



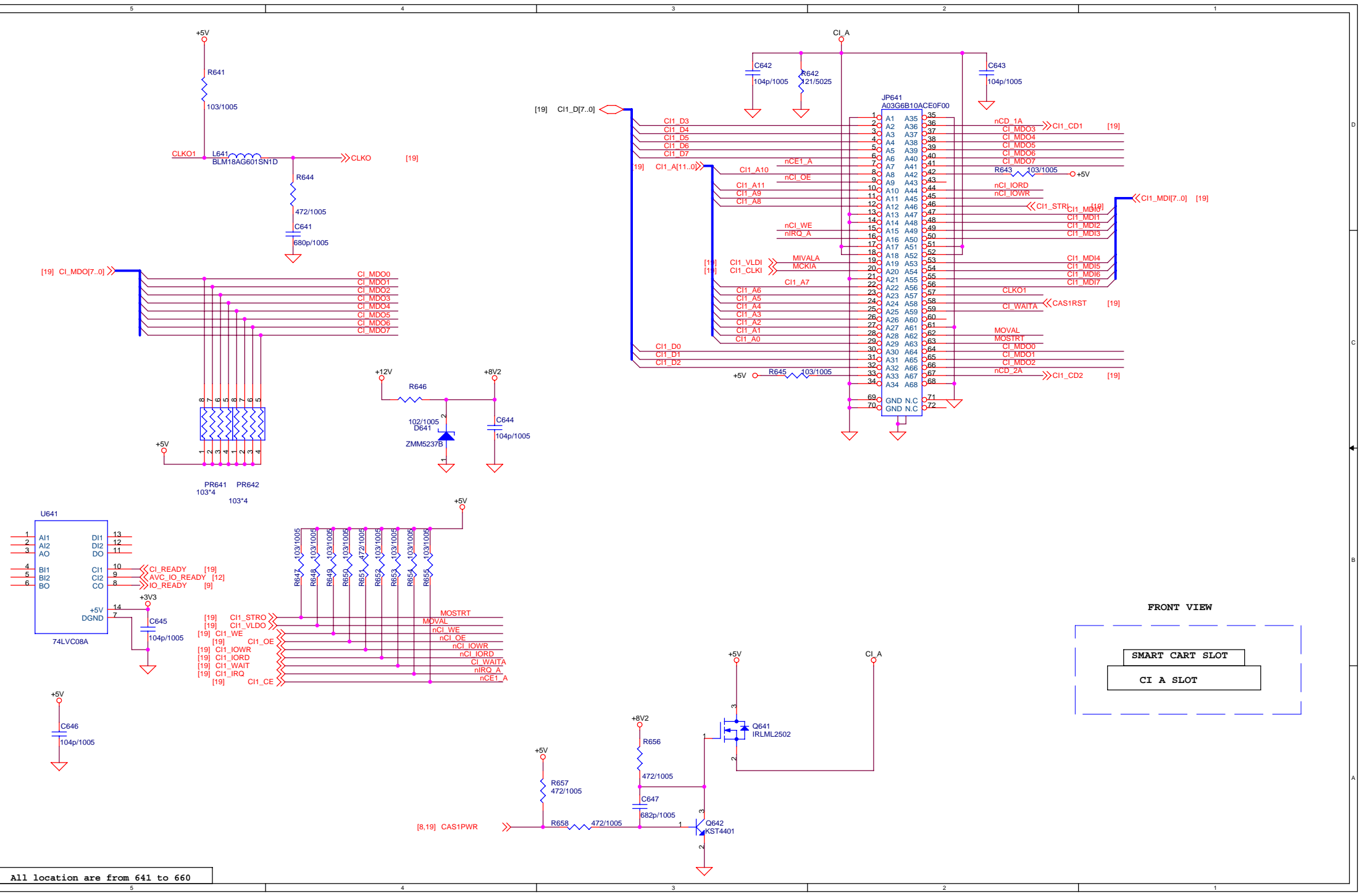
All location are from 901 to 930

D  
C  
B  
A



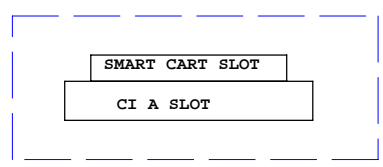
All location are from 591 to 620





All location are from 641 to 660

FRONT VIEW



[19] CI1\_D[7..0]

[19] CI1\_A[11..0]

[19] CI1\_MDO[7..0]

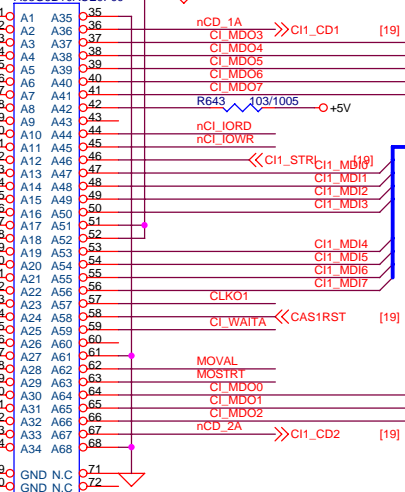
[19] CI1\_D0  
[19] CI1\_D1  
[19] CI1\_D2

[19] CI1\_STRO  
[19] CI1\_VLDO  
[19] CI1\_WE  
[19] CI1\_OE  
[19] CI1\_IOWR  
[19] CI1\_IORD  
[19] CI1\_WAITA  
[19] CI1\_IRQ  
[19] CI1\_CE

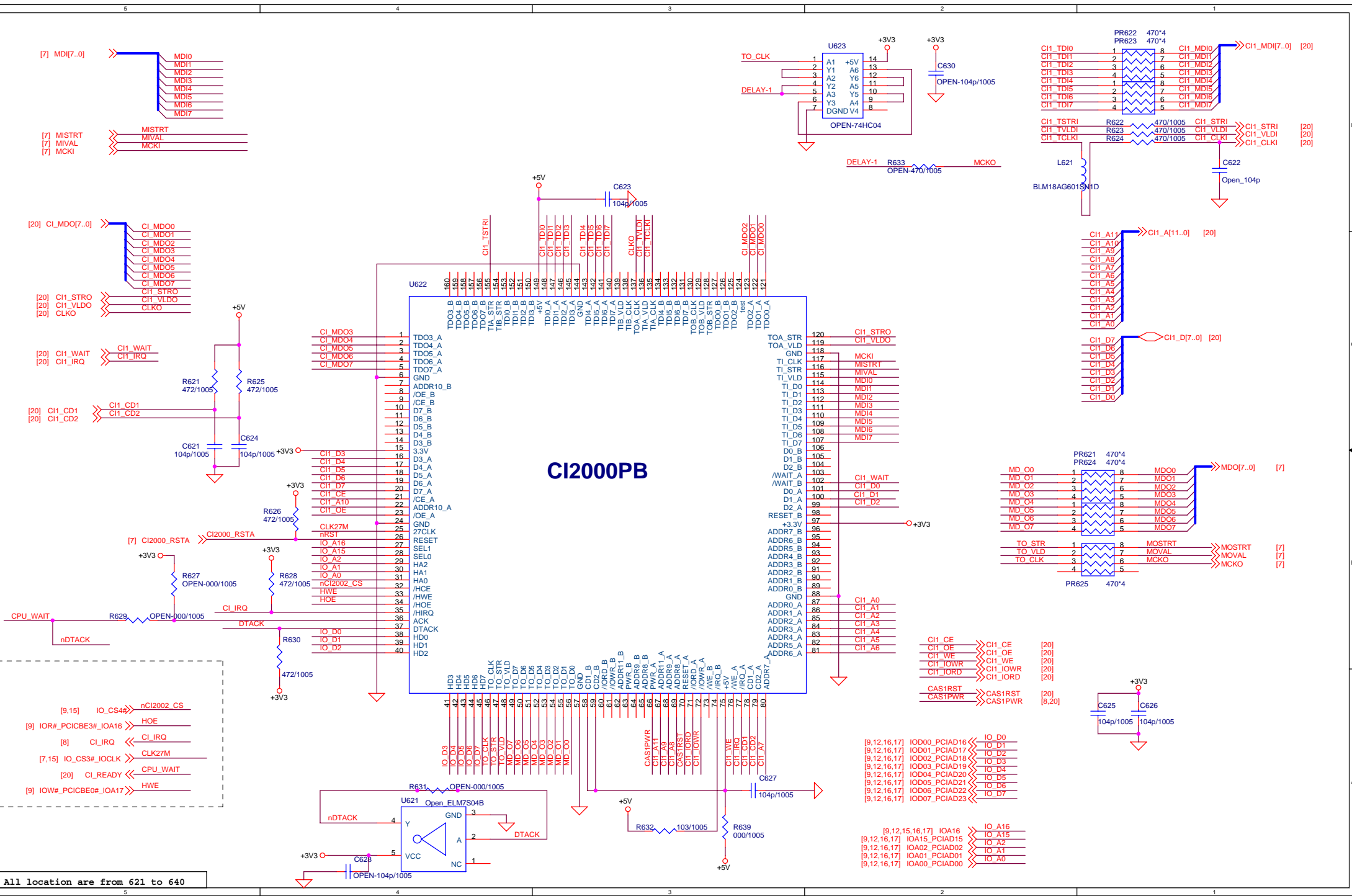
[19] CI1\_STRO  
[19] CI1\_VLDO  
[19] CI1\_WE  
[19] CI1\_OE  
[19] CI1\_IOWR  
[19] CI1\_IORD  
[19] CI1\_WAITA  
[19] CI1\_IRQ  
[19] CI1\_CE

[8,19] CAS1PWR

JP641  
A03G6B10ACE0F00



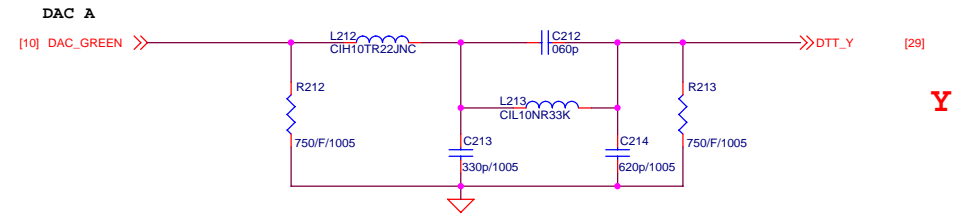
SMART CART SLOT  
CI A SLOT



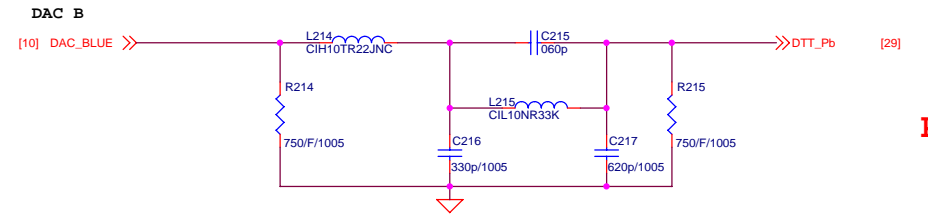
**CI2000PB**

All location are from 621 to 640

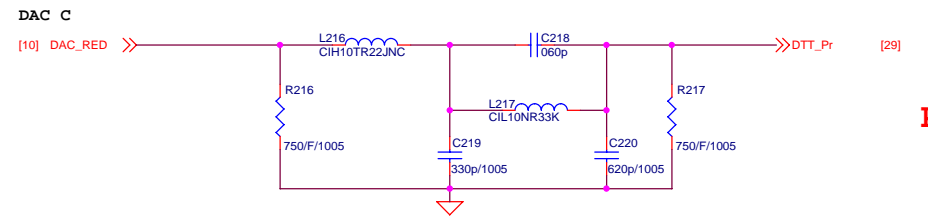
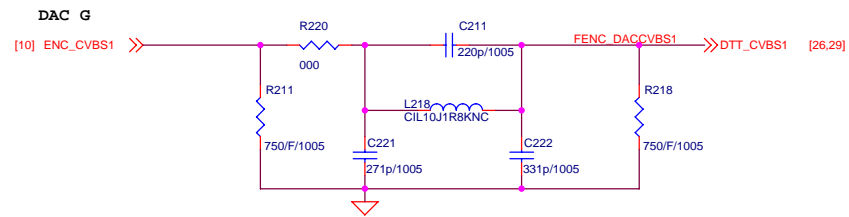
- [7] MDI[7..0] >> MDI0, MDI1, MDI2, MDI3, MDI4, MDI5, MDI6, MDI7
- [7] MISTRT >> MISTRT
- [7] MIVAL >> MIVAL
- [7] MCKI >> MCKI
- [20] CI\_MDO[7..0] >> CI\_MDO0, CI\_MDO1, CI\_MDO2, CI\_MDO3, CI\_MDO4, CI\_MDO5, CI\_MDO6, CI\_MDO7
- [20] CI1\_STRO >> CI1\_STRO
- [20] CI1\_VLDO >> CI1\_VLDO
- [20] CLKO >> CLKO
- [20] CI1\_WAIT >> CI1\_WAIT
- [20] CI1\_IRQ >> CI1\_IRQ
- [20] CI1\_CD1 >> CI1\_CD1
- [20] CI1\_CD2 >> CI1\_CD2
- [7] CI2000\_RSTA >> CI2000\_RSTA
- [9,15] IO\_CS4# >> nCI2002\_CS
- [9] IOR#\_PCICBE3#\_IOA16 >> HOE
- [8] CI\_IRQ >> CI\_IRQ
- [7,15] IO\_CS3#\_IOCLK >> CLK27M
- [20] CI\_READY >> CPU\_WAIT
- [9] IOW#\_PCICBE0#\_IOA17 >> HWE
- [9,12,16,17] IOD0\_PCIAD16 >> IO\_D0
- [9,12,16,17] IOD1\_PCIAD17 >> IO\_D1
- [9,12,16,17] IOD2\_PCIAD18 >> IO\_D2
- [9,12,16,17] IOD3\_PCIAD19 >> IO\_D3
- [9,12,16,17] IOD4\_PCIAD20 >> IO\_D4
- [9,12,16,17] IOD5\_PCIAD21 >> IO\_D5
- [9,12,16,17] IOD6\_PCIAD22 >> IO\_D6
- [9,12,16,17] IOD7\_PCIAD23 >> IO\_D7
- [9,12,15,16,17] IOA16 >> IO\_A16
- [9,12,16,17] IOA15\_PCIAD15 >> IO\_A15
- [9,12,16,17] IOA02\_PCIAD02 >> IO\_A2
- [9,12,16,17] IOA01\_PCIAD01 >> IO\_A1
- [9,12,16,17] IOA00\_PCIAD00 >> IO\_A0



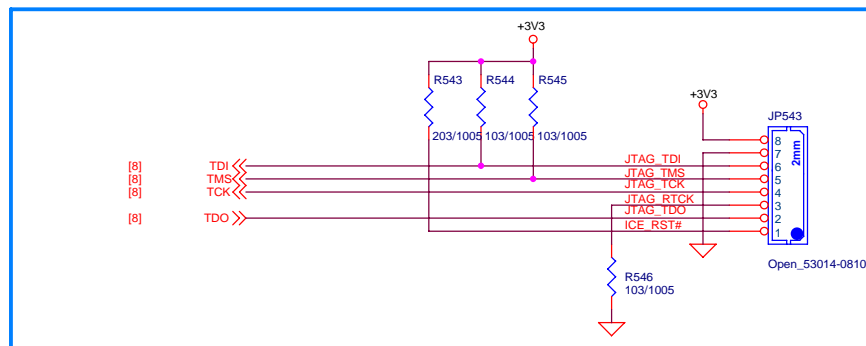
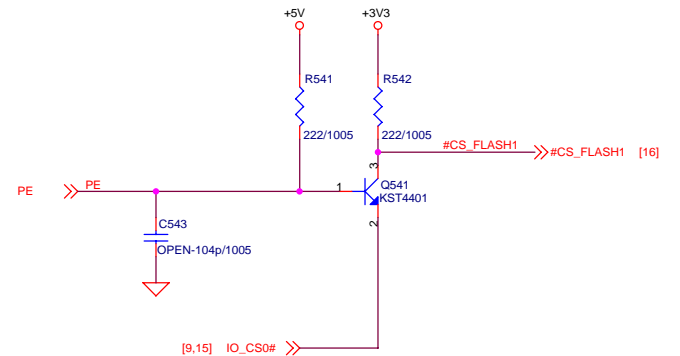
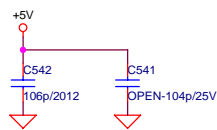
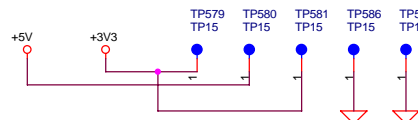
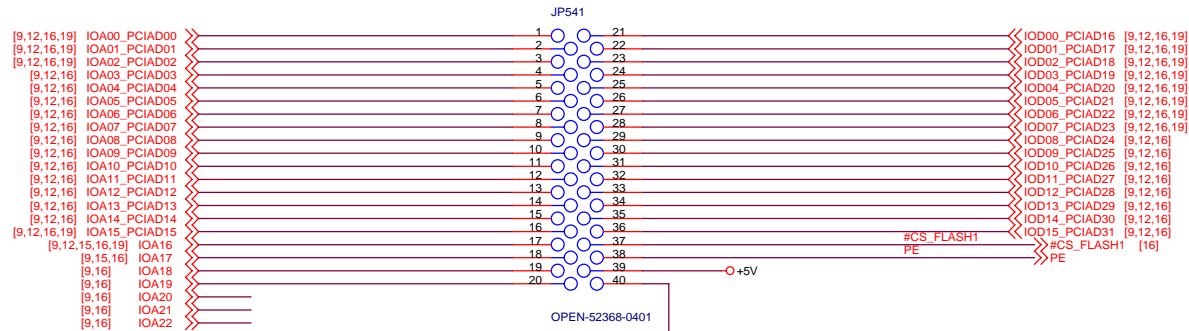
**Y**



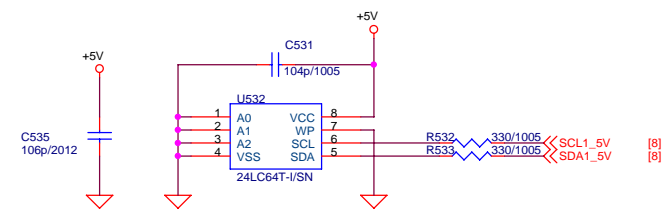
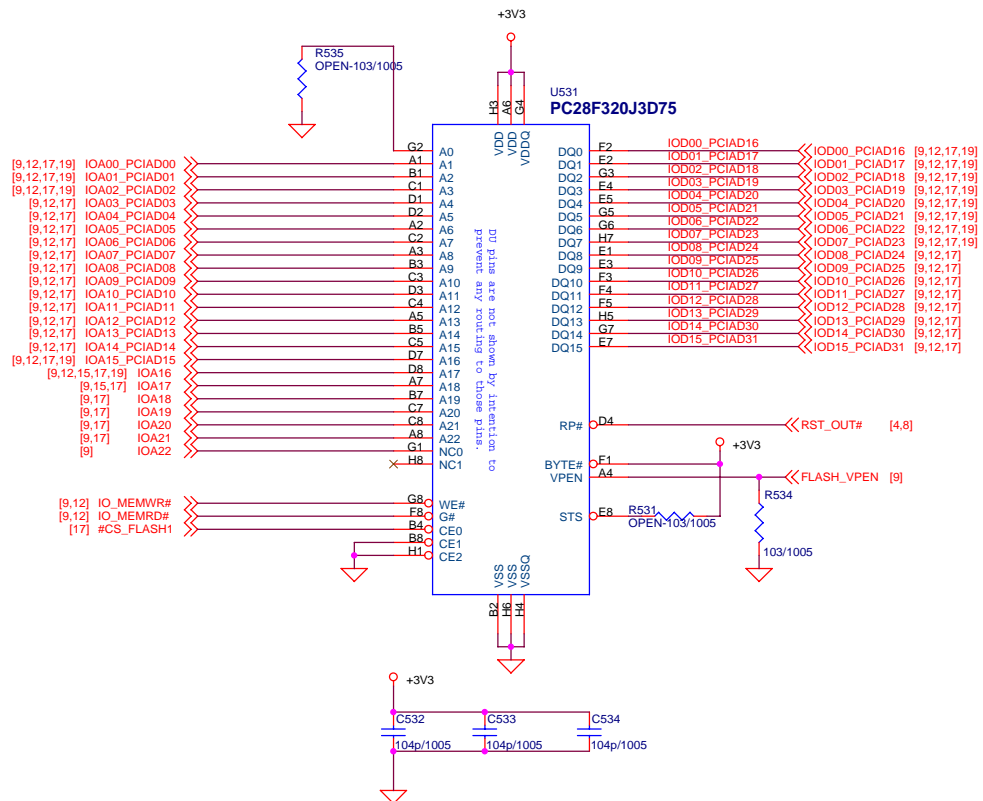
**Pb**



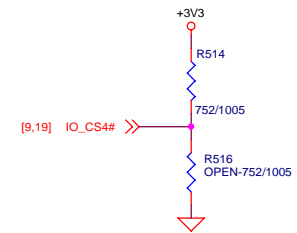
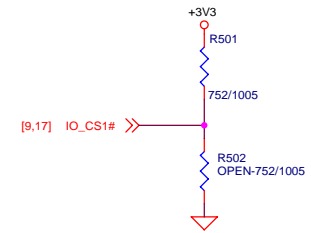
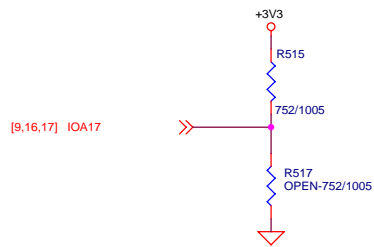
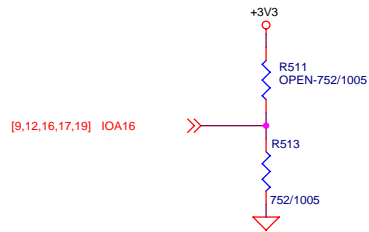
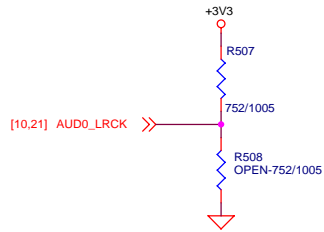
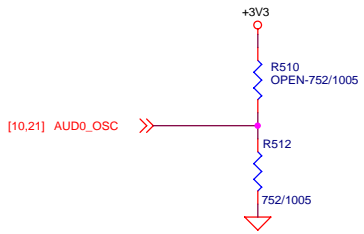
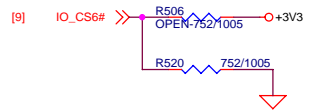
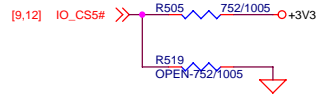
**Pr**



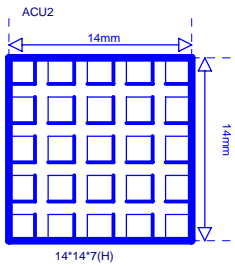
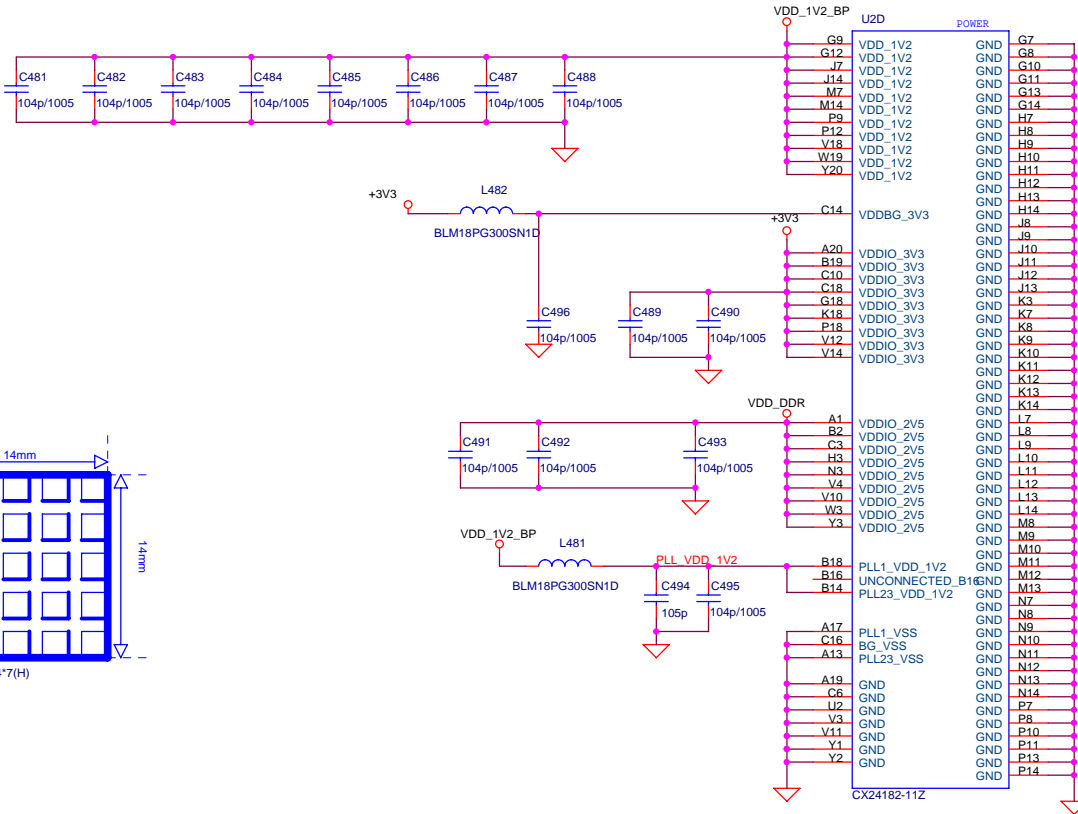
All location are from 541 to 590



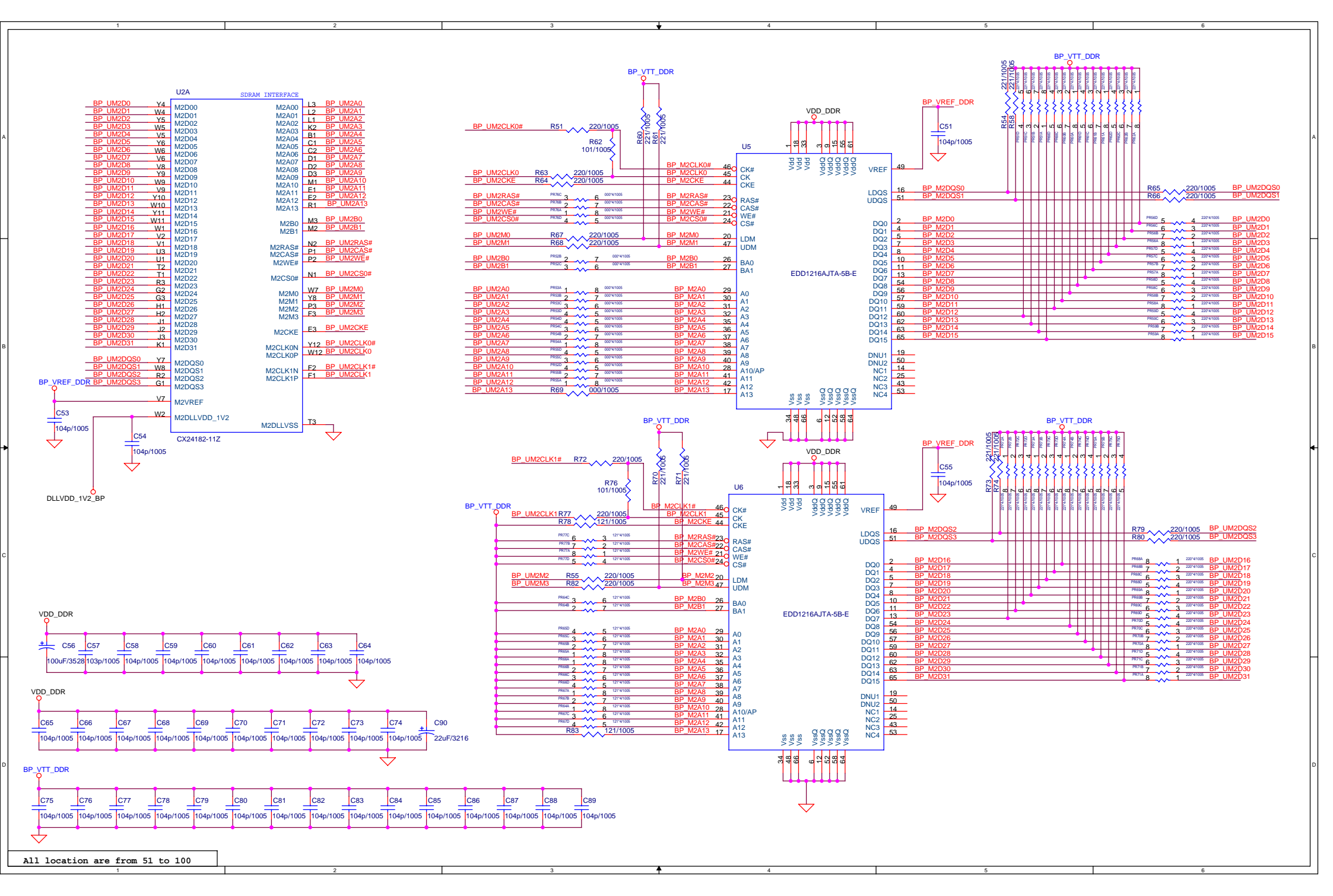
All location are from 531 to 540



All location are from 501 to 530

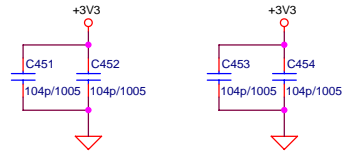
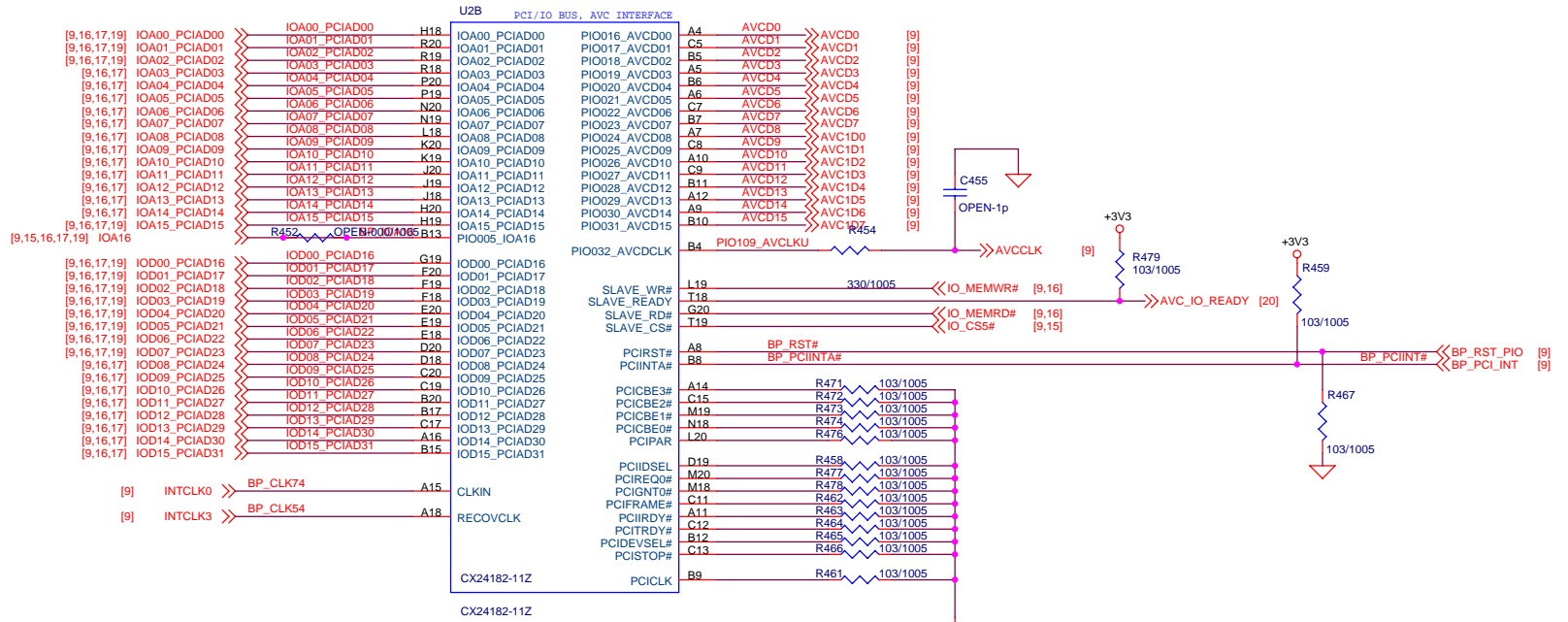
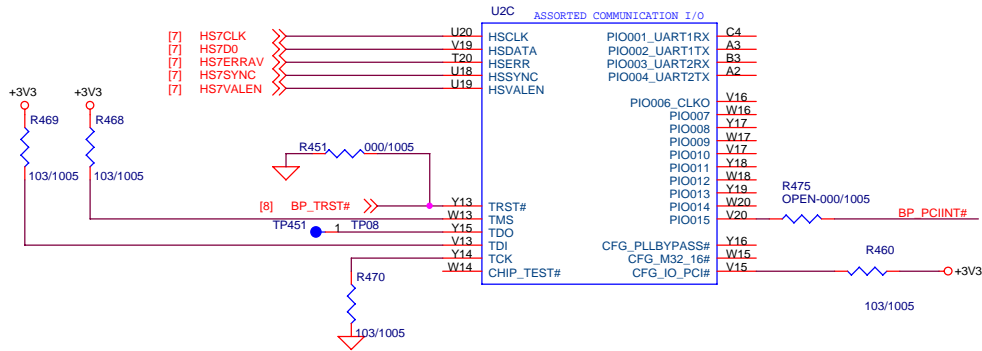


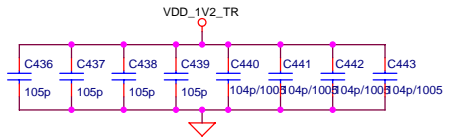
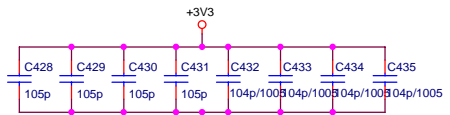
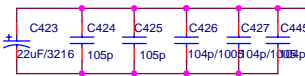
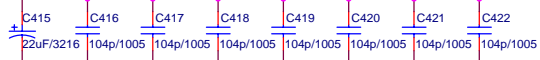
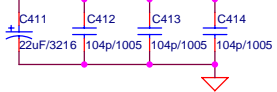
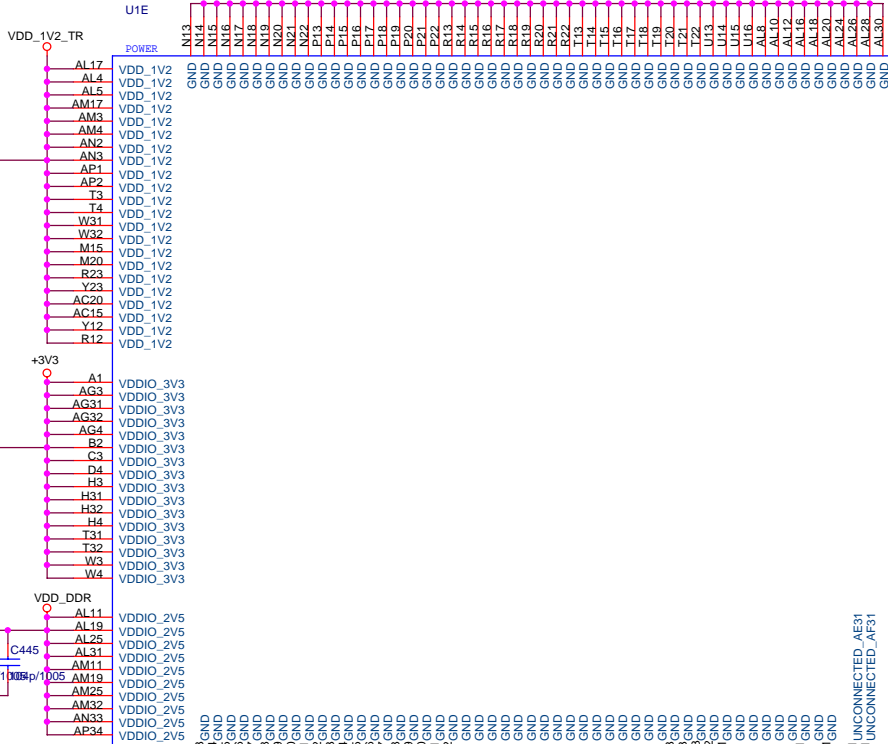
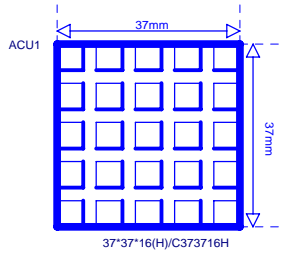
All location are from 481 to 500



All location are from 51 to 100



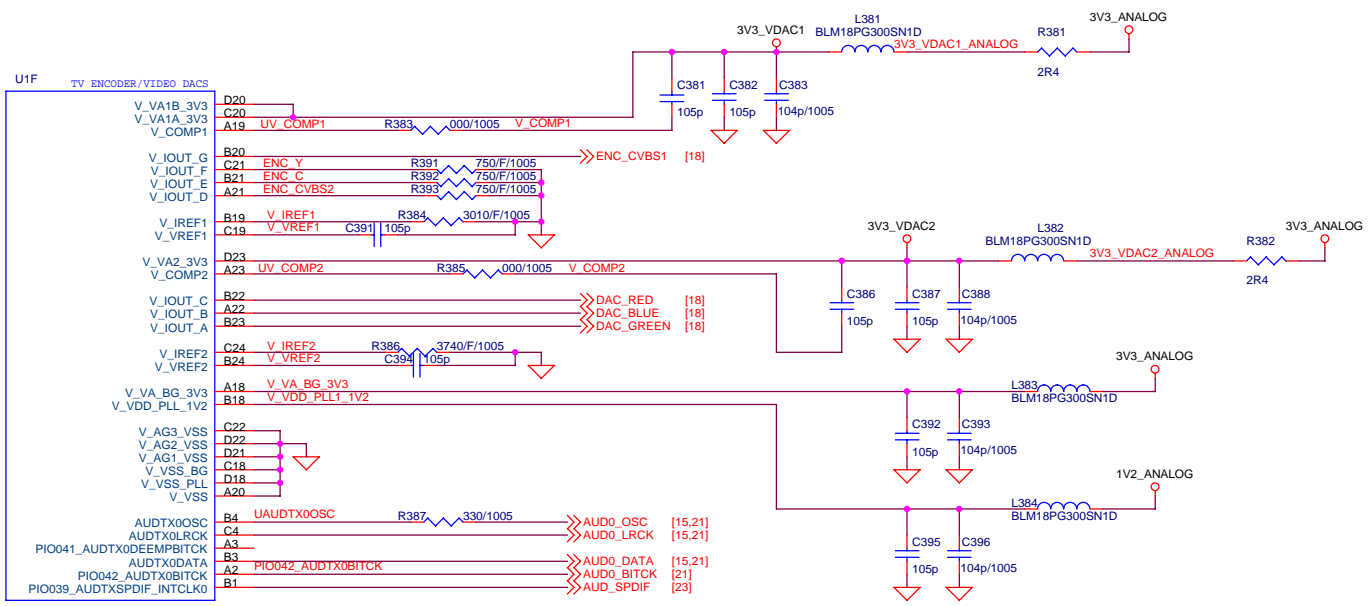




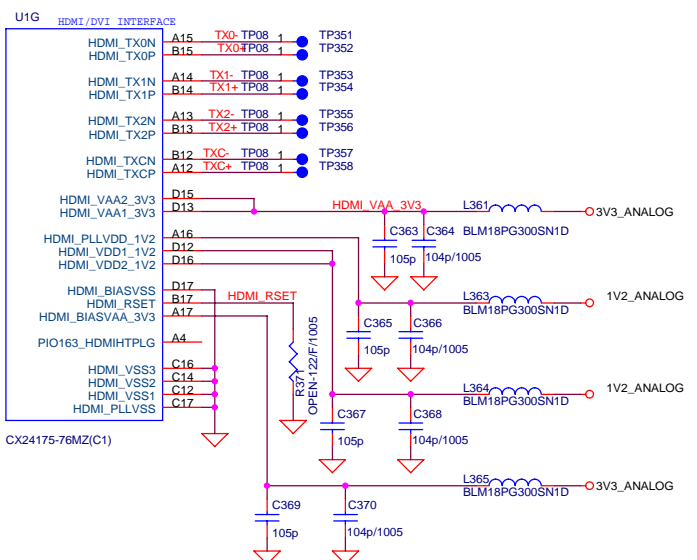
AE1 UNCONNECTED\_AE1  
AE7 UNCONNECTED\_AE7

CX24175-76MZ(C1)

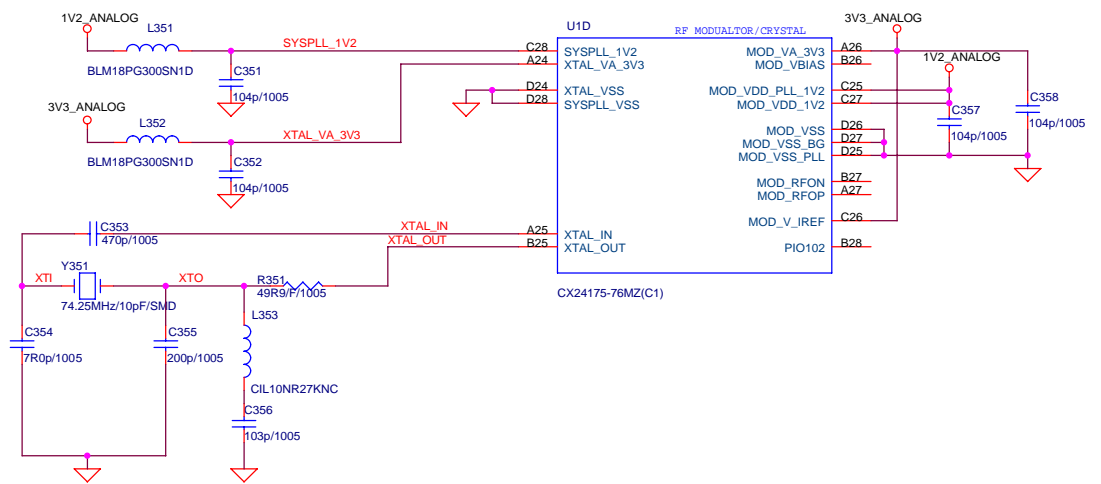
All location are from 411 to 450



CX24175-76MZ(C1)

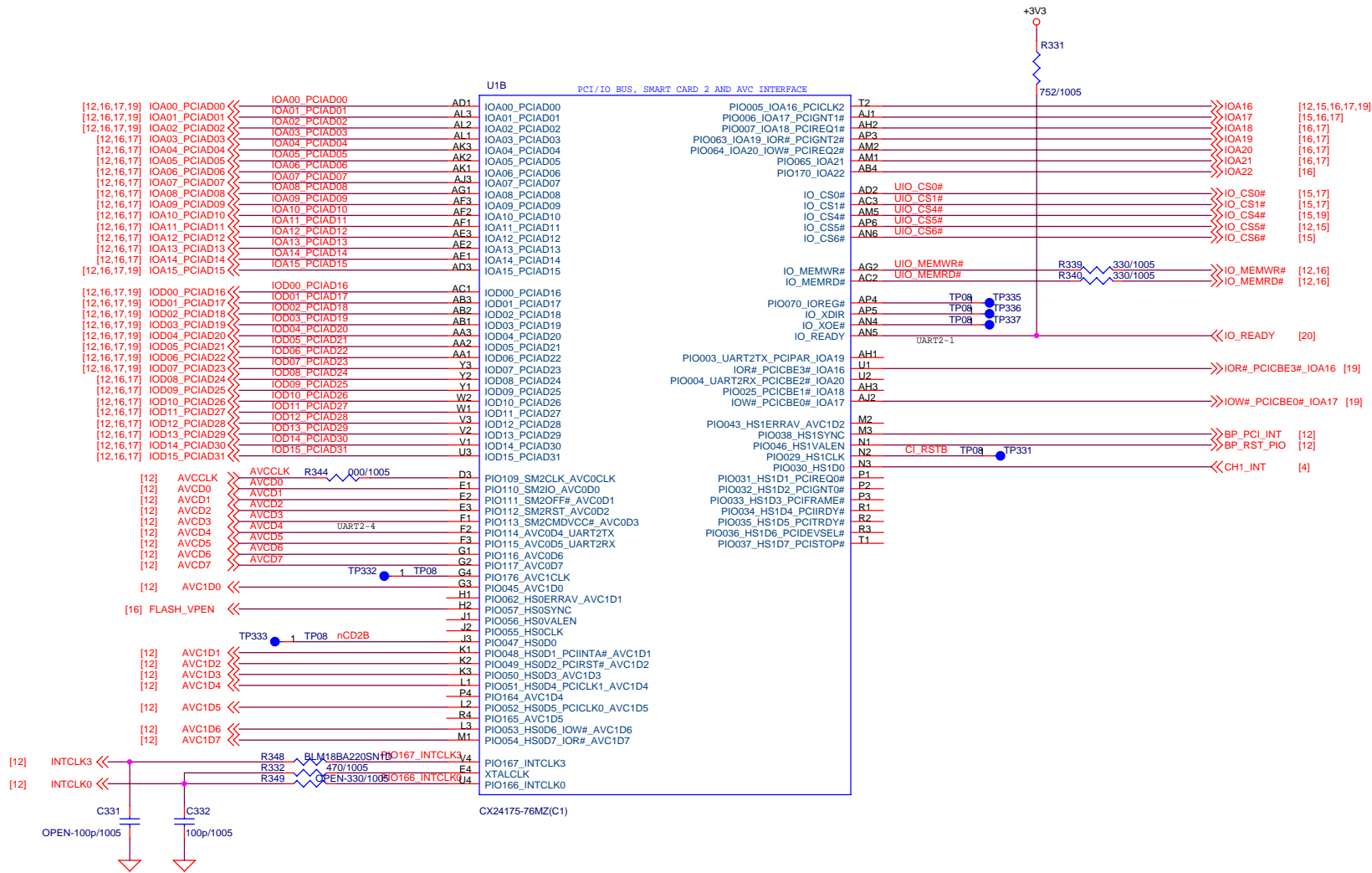


CX24175-76MZ(C1)

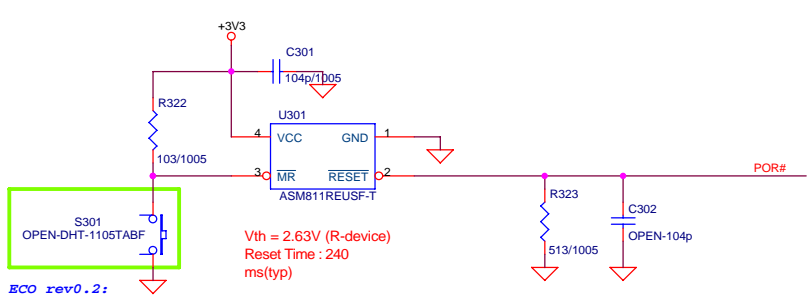
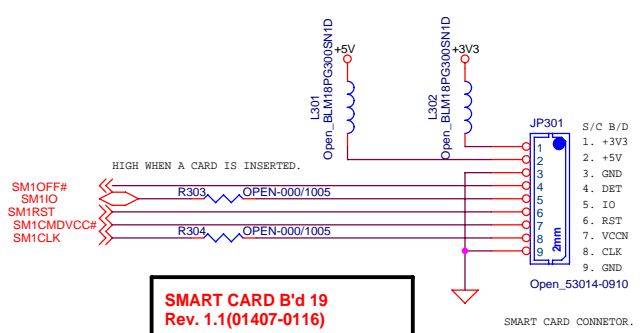
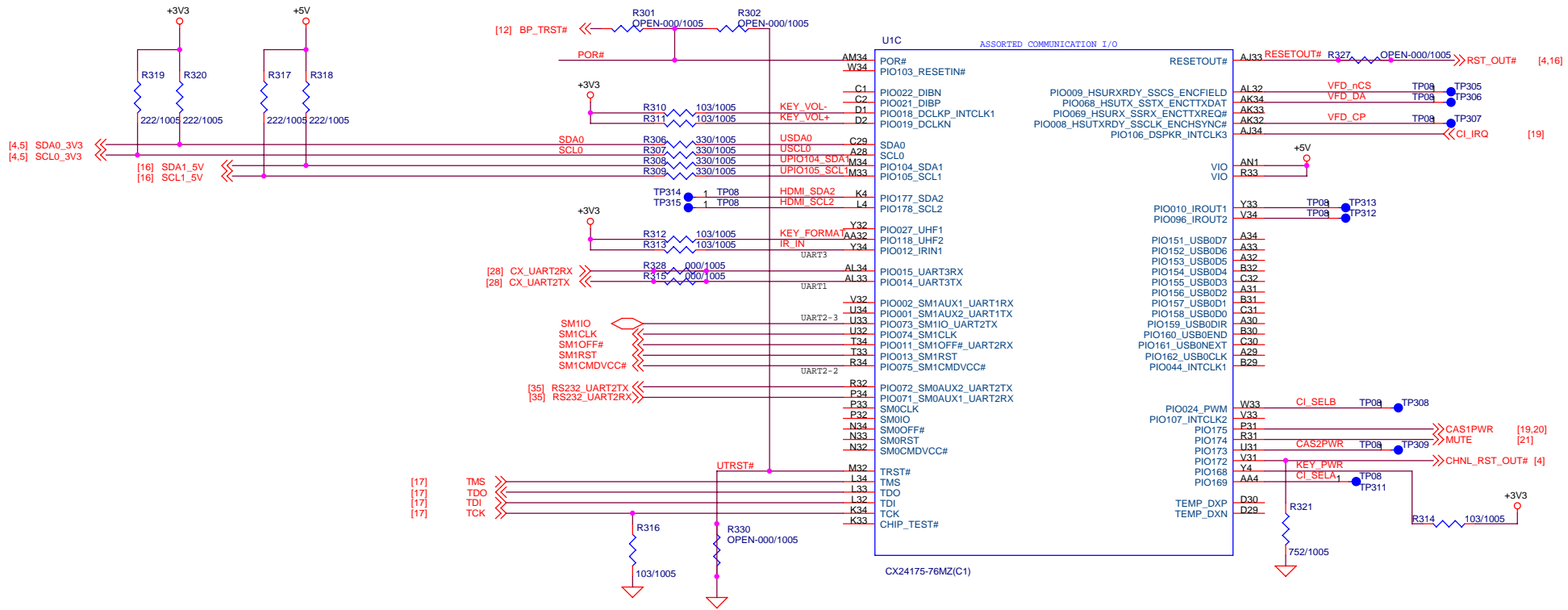


CX24175-76MZ(C1)

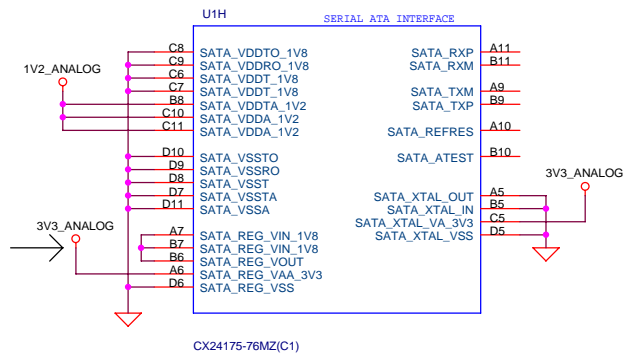
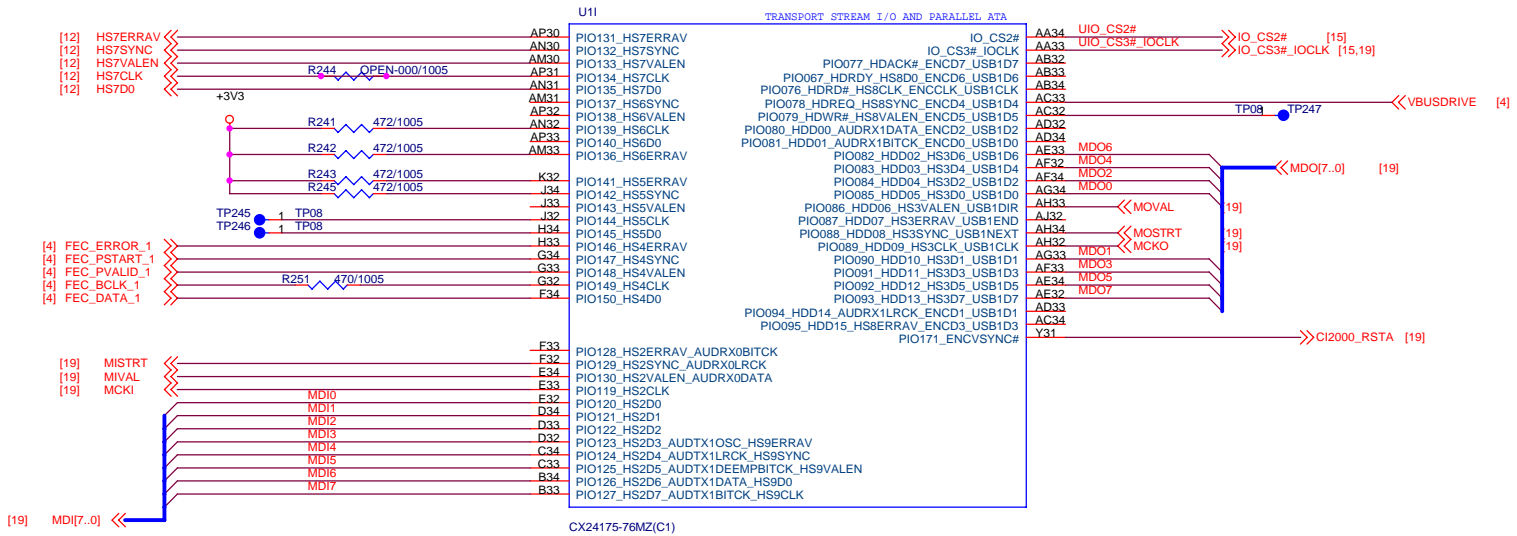
All location are from 351 to 410



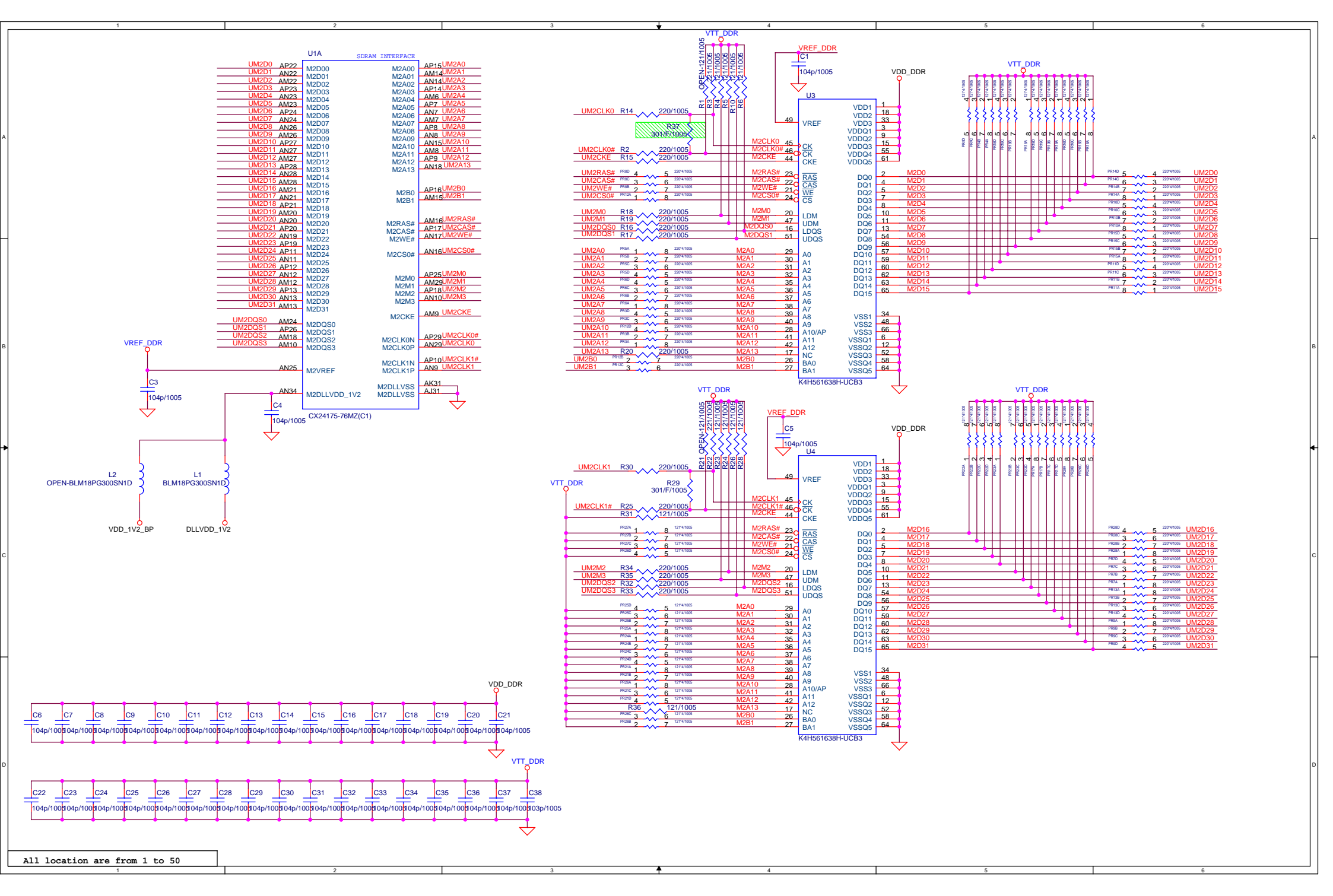
All location are from 331 to 350



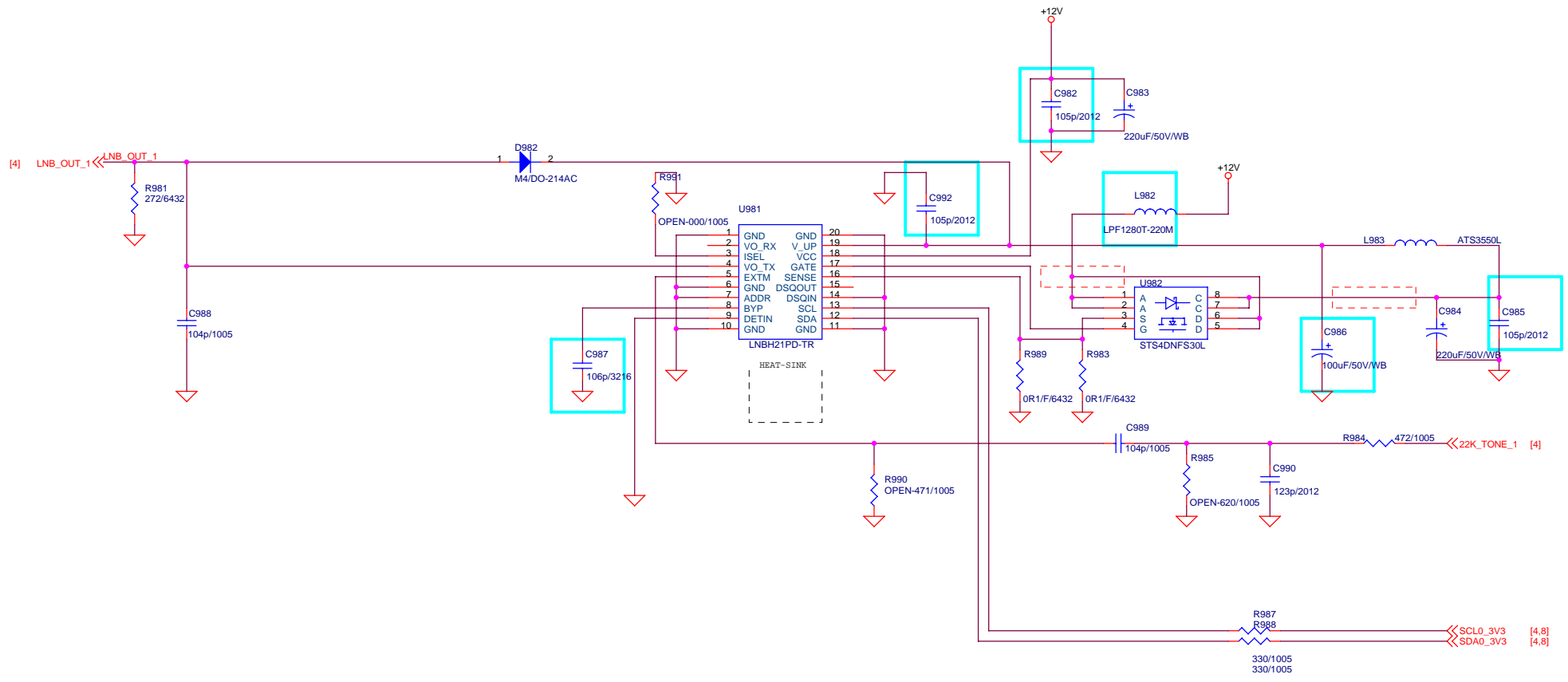
All location are from 301 to 330



All location are from 241 to 270

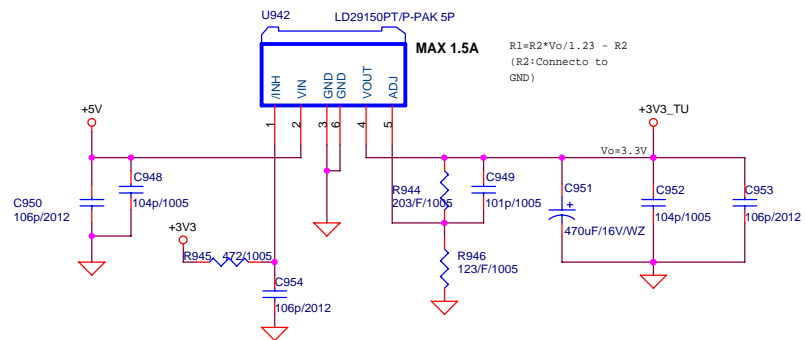
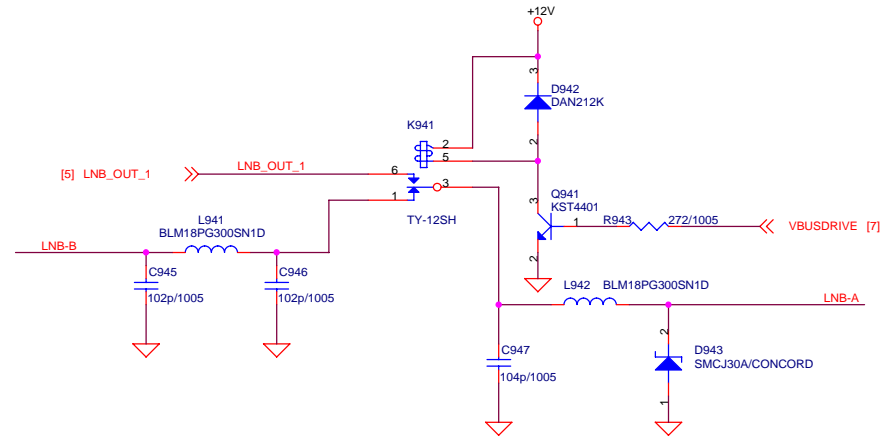
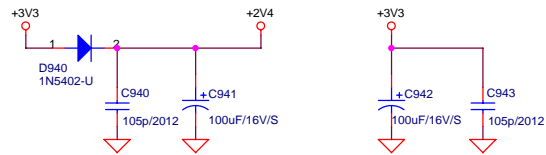
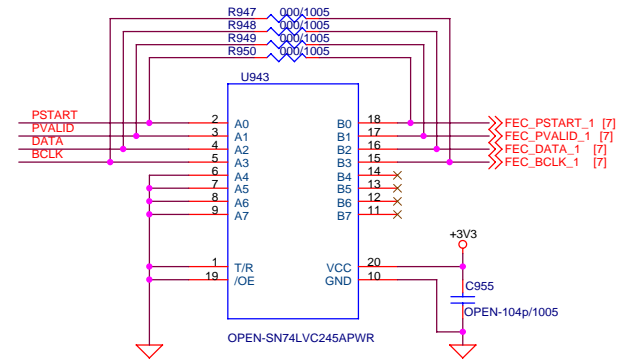
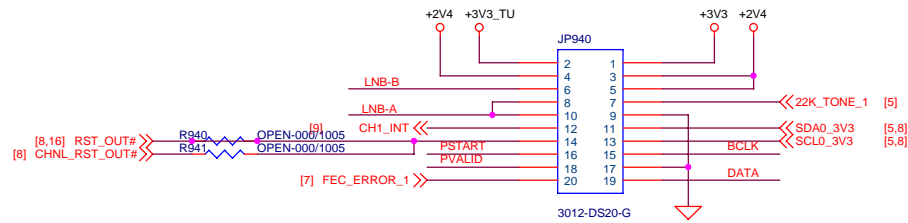


All location are from 1 to 50

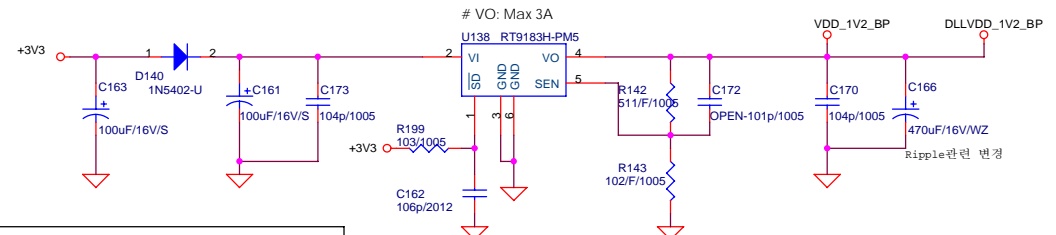
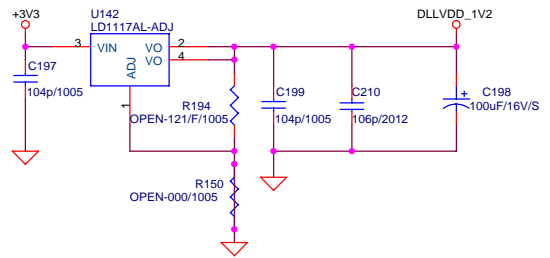
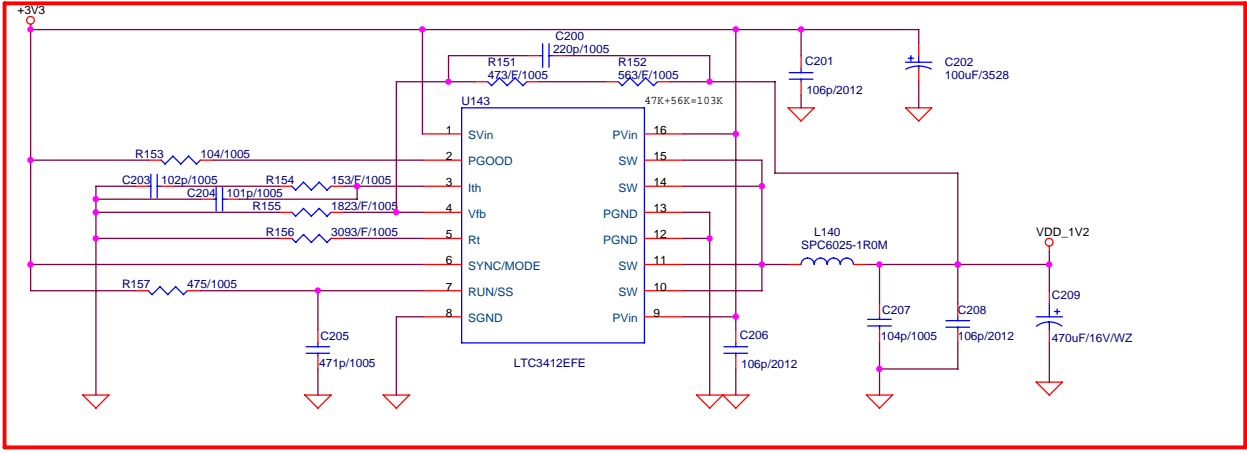
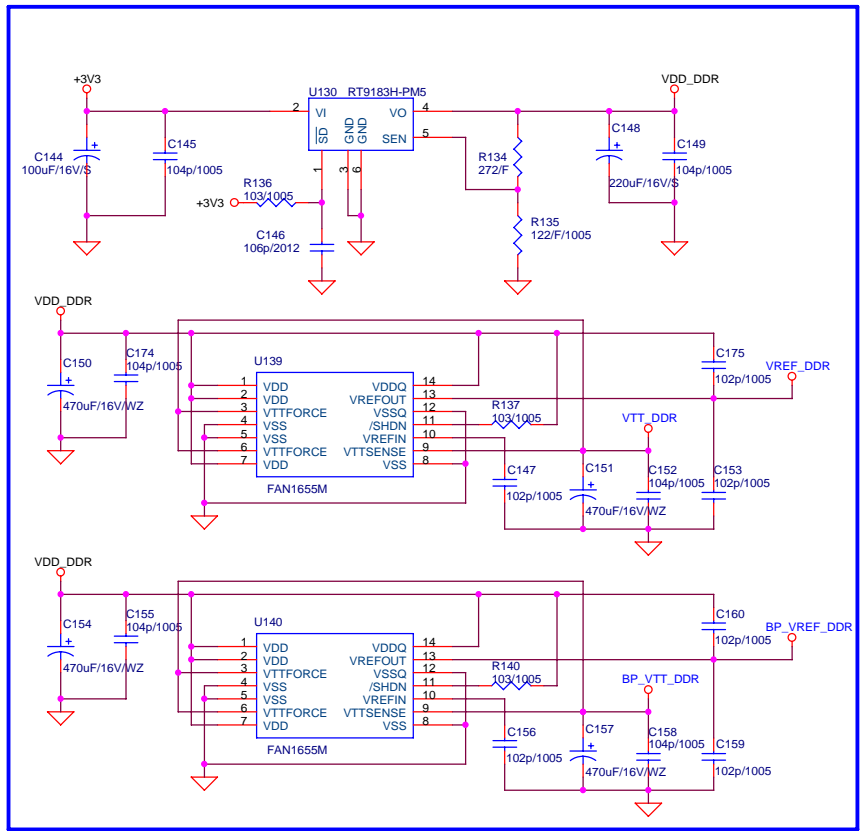
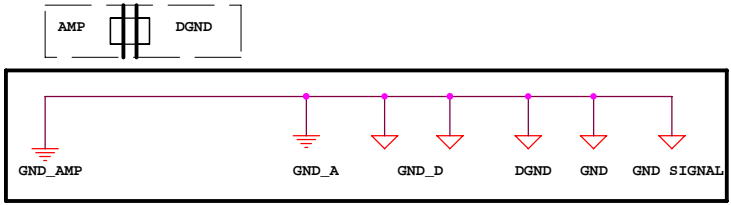
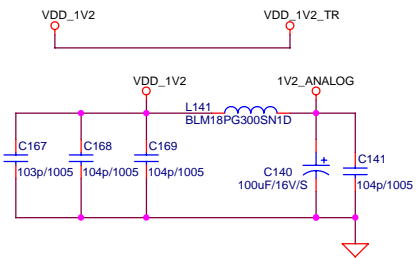
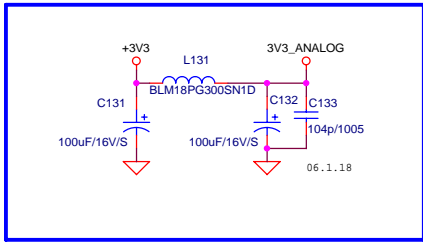


All location are from 981 to 999

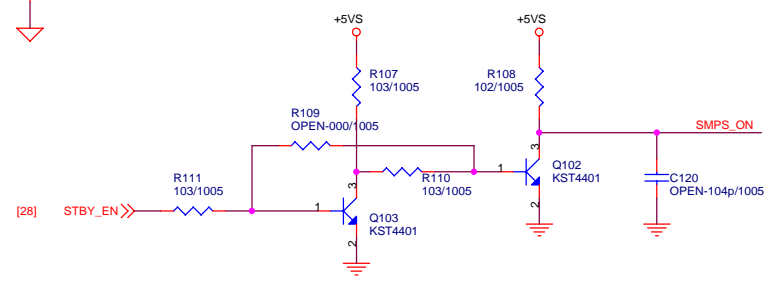
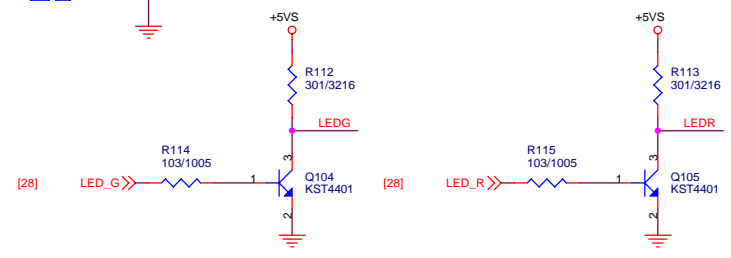
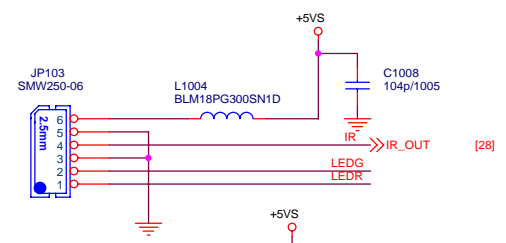
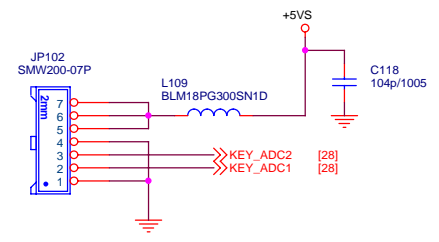
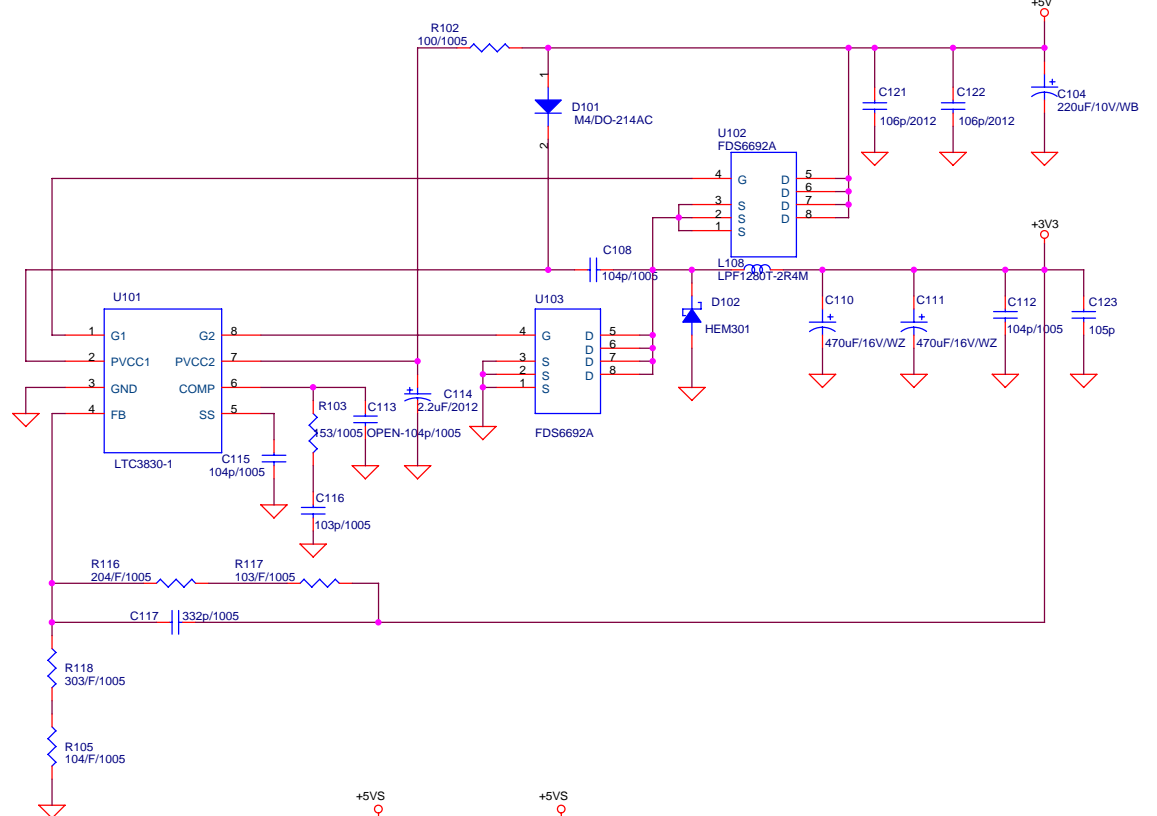
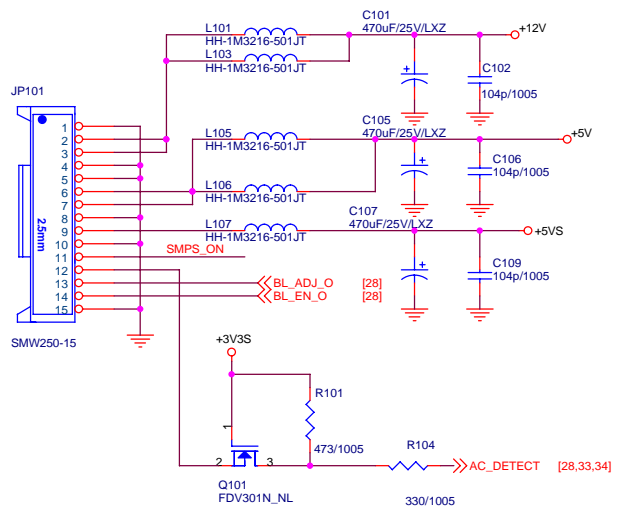




All location are from 940 to 960



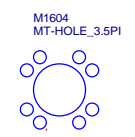
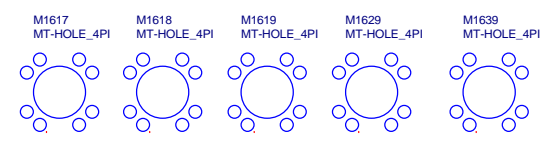
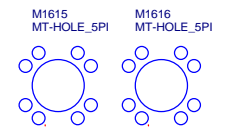
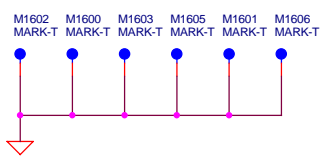
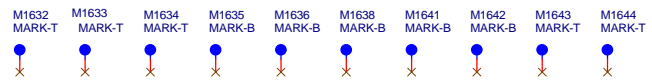
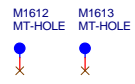
All location are from 131 to 210



All location are from 101 to 130



*ECO rev0.2:*



All location are from 1611 to 1640.