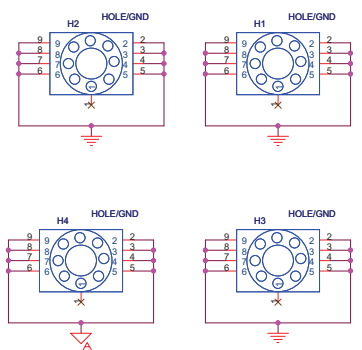
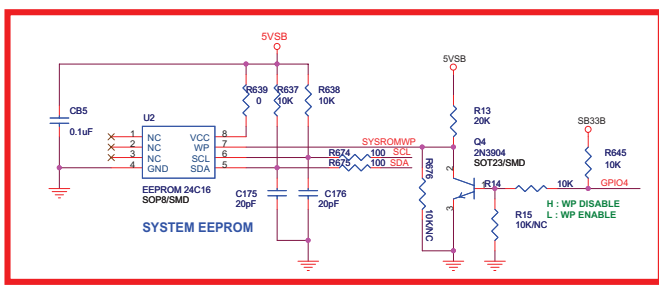
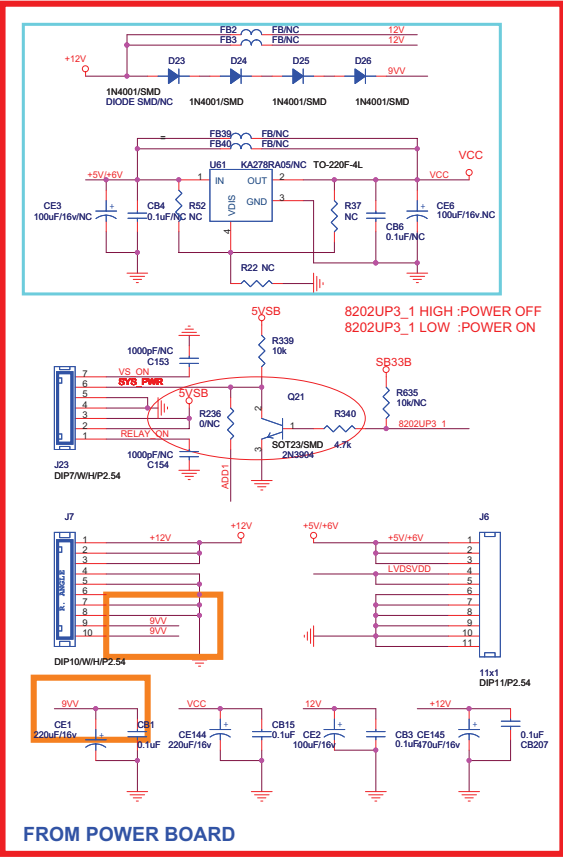
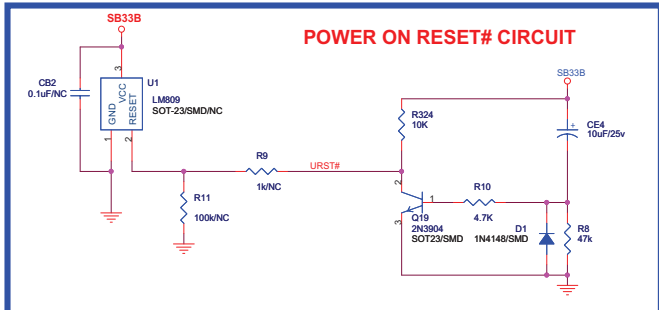
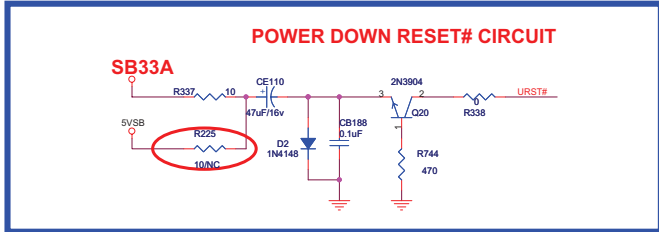
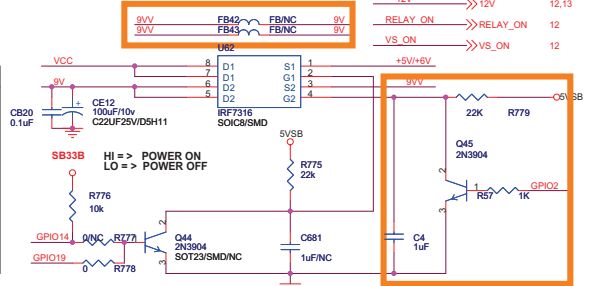


MT8202E (PBGA388) LCDTV BOARD 4 LAYERS FOR AKAI

LVDSVDD	→	LVDSGND	2,3,4
SCL	→	SCL	9,14
SDA	→	SDA	9,14
URST#	→	URST#	3
8202UP3_1	→	8202UP3_1	3
GPIO2	→	GPIO2	3,12
GPIO4	→	GPIO4	3
GPIO14	→	GPIO14	3,13
GPIO19	→	GPIO19	3,13
9V	→	9V	7,9,14
12V	→	12V	12,13
RELAY_ON	→	RELAY_ON	12
VS_ON	→	VS_ON	12

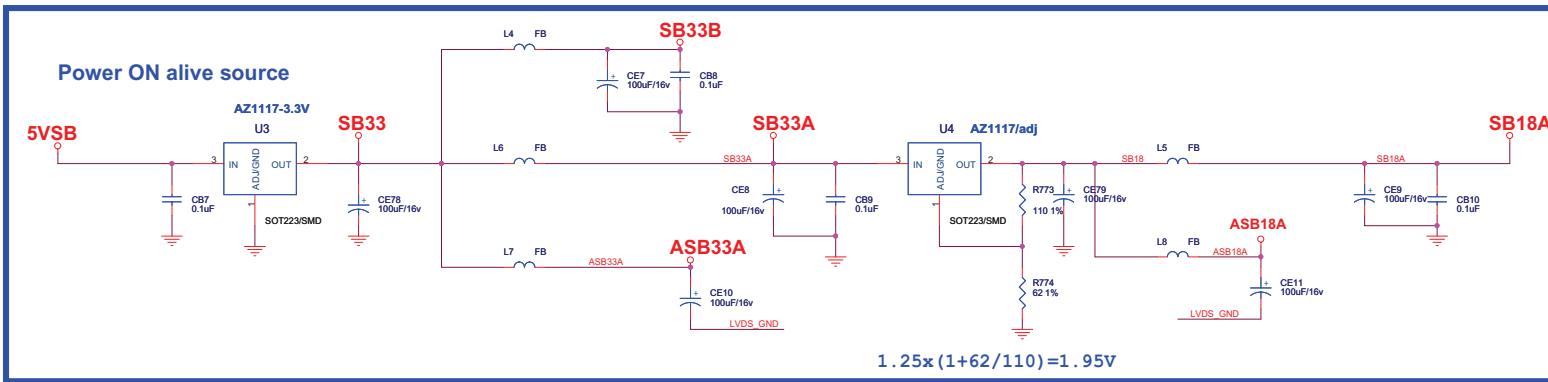
1. INDEX / POWER / RESET / EEPROM
2. LDO
3. MT8202E PBGA388
4. MT8202 DECOUPLING
5. DDR MEMORY & FLASH
6. MT5351 INTERFACE
7. HDMI MT8293
8. DAUGHTER BOARD IN
9. WM8776 & VIDEO BYPASS
10. AUDIO / VIDEO IN CIRCUIT
11. VGA & PC AUDIO IN
12. LVDS OUT
13. BACK LIGHT / KEYPAD
14. TUNER IN
15. AV IN
16. AUDIO IN
17. AUDIO Amplifier

Rev	History	P#	Date
AKAI_MT8202_27US_LVDS_V0.0 AKAI_MT8202_27US_HDMI_LVDS_V0.0	New ADD HDMI / VIDEO /AUDIO CONNECTOR INPUT IN		2005/11/22

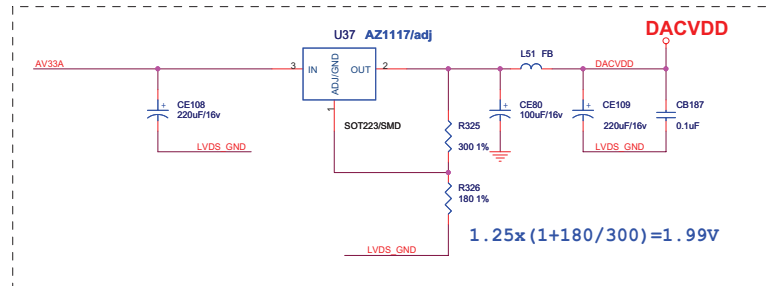
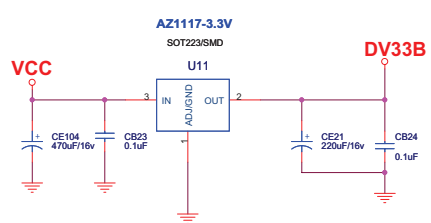
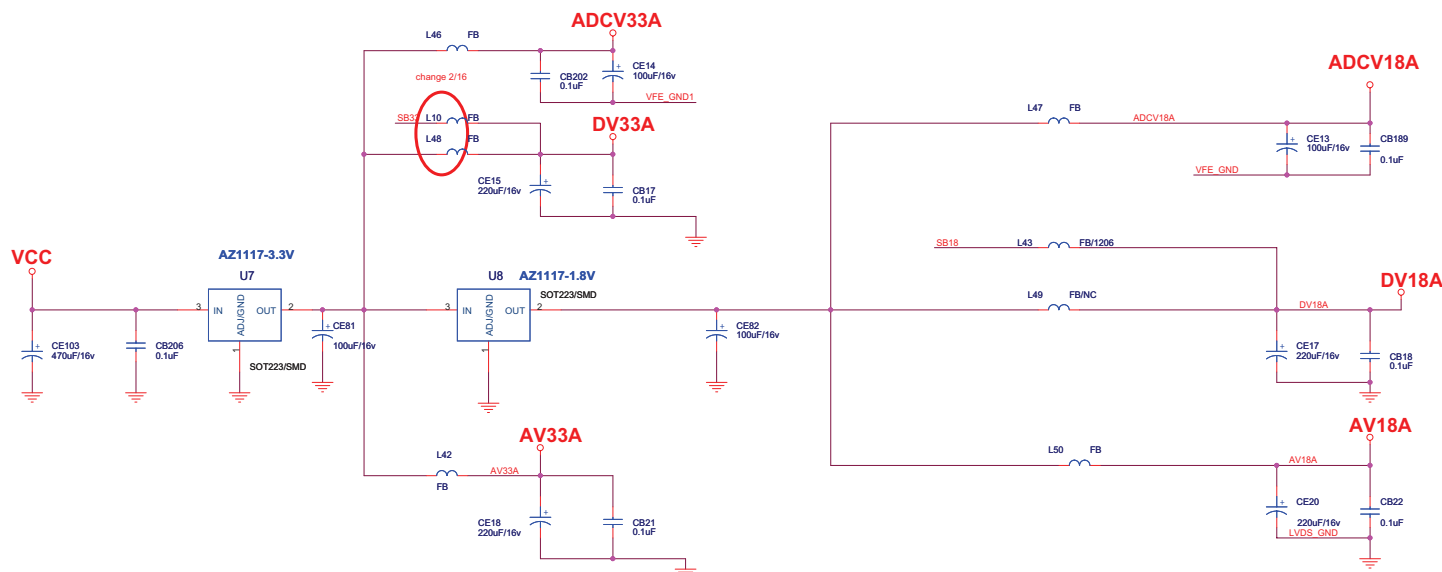


KAWA Confidential

File	INDEX / POWER / RESET / EEPROM		
Size	Document Number	<Designer>	Rev
C	AKAI_MT8202_27US_LVDS_V0.0	Checked: <Checker>	1
Date:	Thursday, April 13, 2006	Sheet	17



- LVDS_GND >> LVDS_GND 3.4.12
- VFE_GND >> VFE_GND 3.4.8.11
- VFE_GND1 >> VFE_GND1 3.4.8.11



KAWA Confidential

Title				
LDO				
Size	Document Number	<Designer>	Rev	
C	AKAI_MT8202_27US_LVDS_V0.0	Checked: <Checker>	1	
Date:	Thursday, April 13, 2006	Sheet	2	17

XTALVDD >> XTALVDD 3
 ADCVDD >> ADCVDD 3
 AVICM >> AVICM 3
 PWM2VREF >> PWM2VREF 3

DACFS >> DACFS 3
 LVDDA >> LVDDA 3
 LVDDB >> LVDDB 3
 LVDDC >> LVDDC 3

AVDD_VFE0 >> AVDD_VFE0 3
 AVDD_VAD0 >> AVDD_VAD0 3
 AACVDD >> AACVDD 3
 ADACVDD >> ADACVDD 3

VPLLVD1 >> VPLLVD1 3
 VPLLVD2 >> VPLLVD2 3

AVDD_VAD1 >> AVDD_VAD1 3
 AVDD_VFE1 >> AVDD_VFE1 3
 PLLVDD1 >> PLLVDD1 3
 PLLVDD2 >> PLLVDD2 3
 PLLVDD3 >> PLLVDD3 3

DACVDDA >> DACVDDA 3
 DACVDDB >> DACVDDB 3
 DACVDDC >> DACVDDC 3

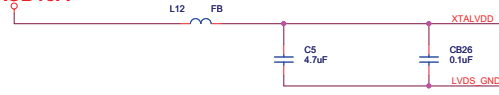
TESTP3 >> TESTP3 3
 TESTN3 >> TESTN3 3
 TESTP4 >> TESTP4 3
 TESTN4 >> TESTN4 3

REFP >> REFP 3
 REFN >> REFN 3
 AACVSS >> AACVSS 3.10
 AUDIO_GND >> AUDIO_GND 3.10

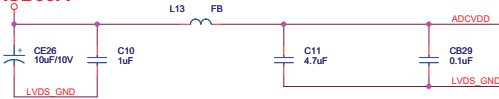
LVDS_GND >> LVDS_GND 2.3,12
 VFE_GND >> VFE_GND 2.3,8,11
 AACVSS >> AACVSS 3.10
 VFE_GND1 >> VFE_GND1 2.3,8,11

STANDBY ANALOG POWER

ASB18A

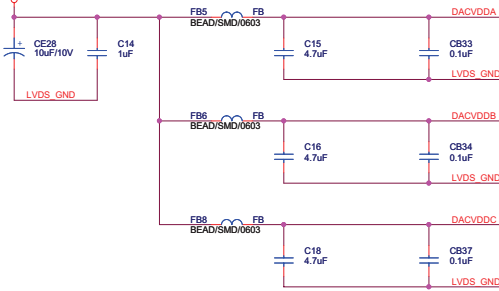


ASB33A



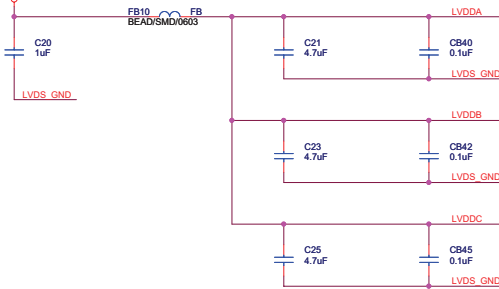
NORMAL VIDEO DAC POWER

DACVDD



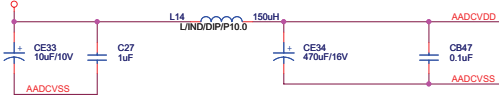
NORMAL VIDEO DAC POWER

AV33A

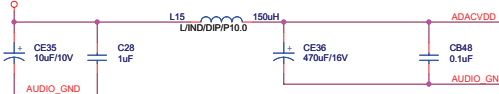


NORMAL AUDIO ADC / DAC POWER

ADCV33A

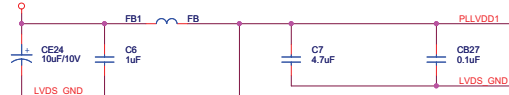


ADCV33A

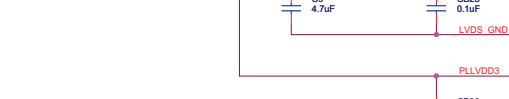


NORMAL ANALOG POWER

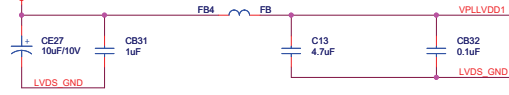
ASB18A



AV18A

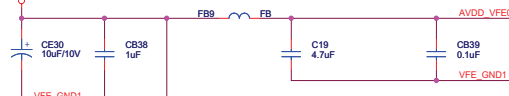


AV33A

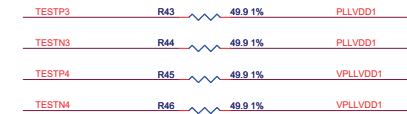
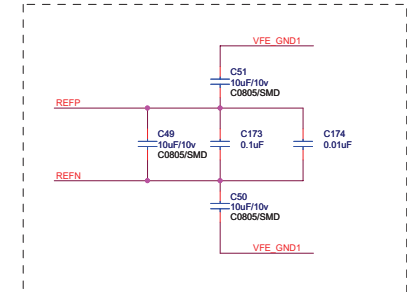
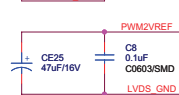
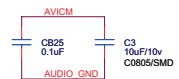
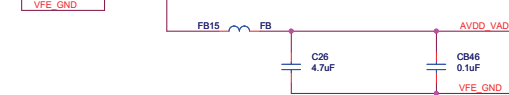
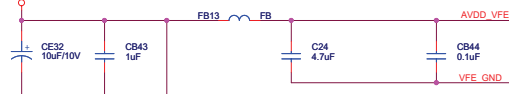


NORMAL VIDEO ADC POWER

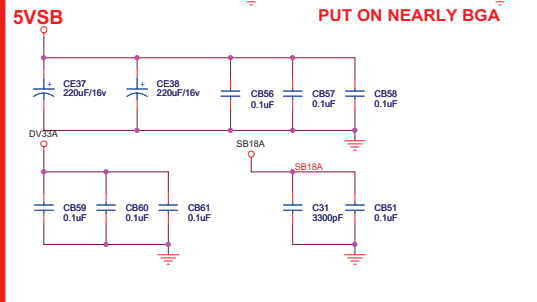
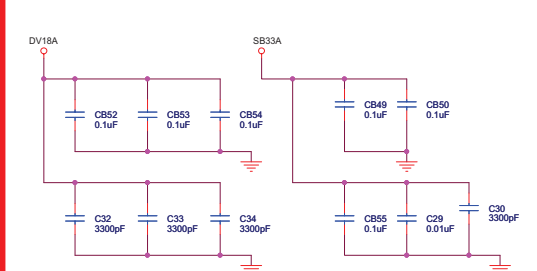
ADCV33A



ADCV18A



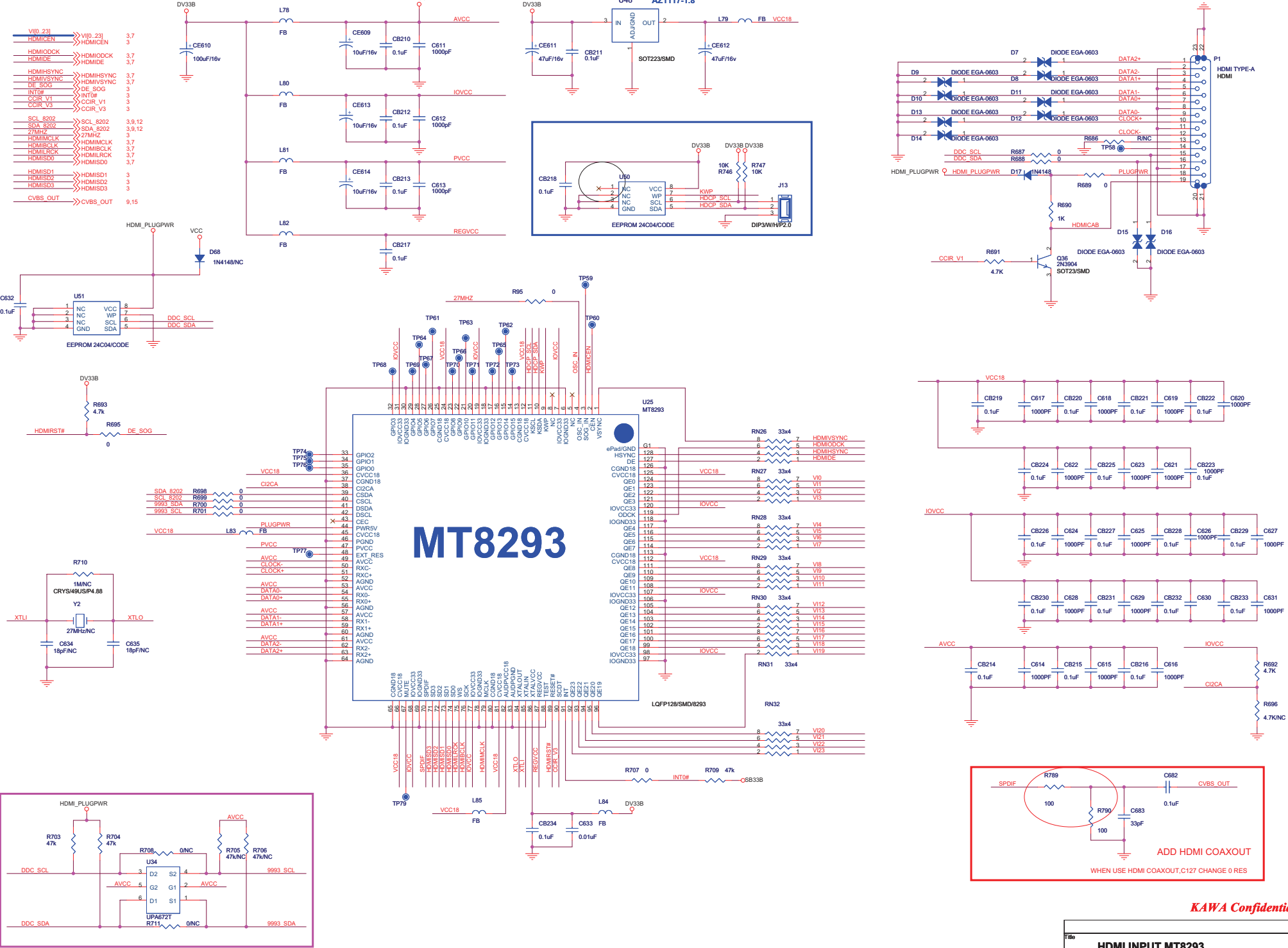
MT8202 DIGITAL POWER & DECOUPLING



PUT ON NEARLY BGA

KAWA Confidential

Title		MT8202 DECOUPLING	
Size	Document Number	<Designer>	Rev
C	AKAI_MT8202_27US_LVDS_V0.0	Checked: <Checker>	1
Date:	Thursday, April 13, 2006	Sheet	4



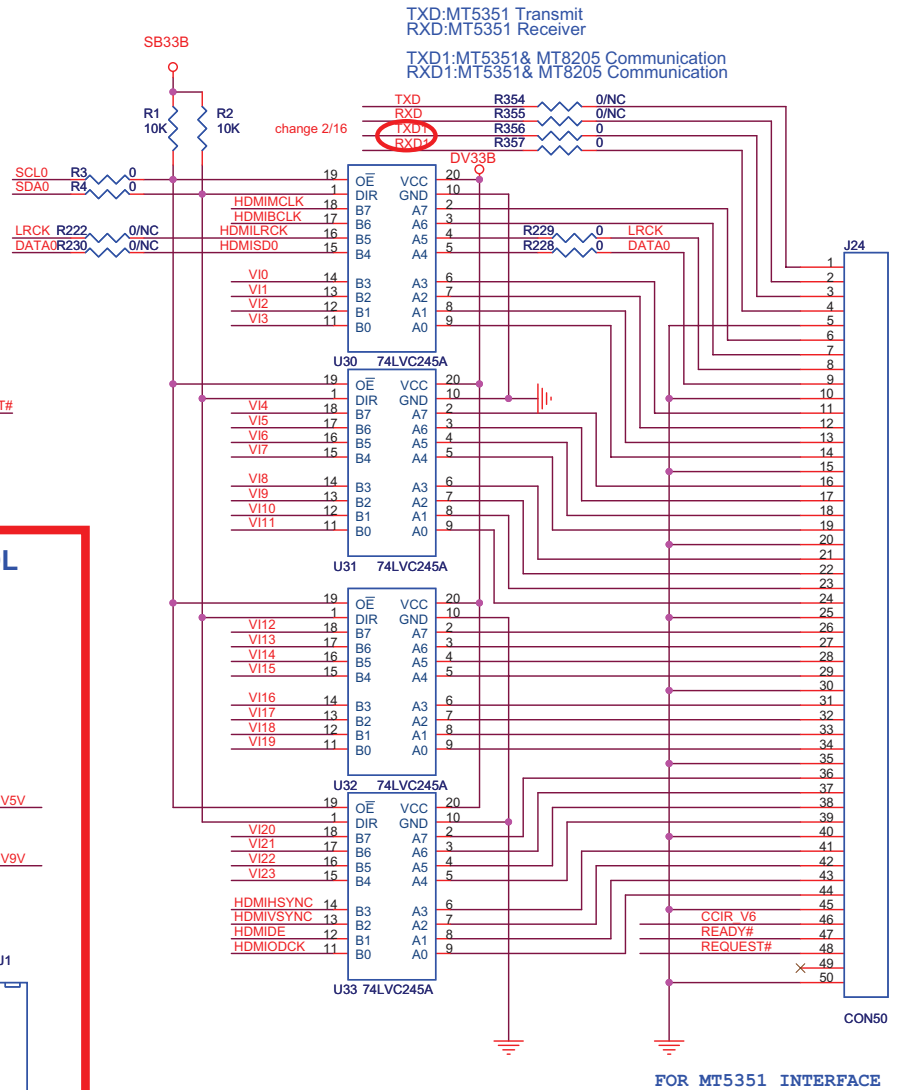
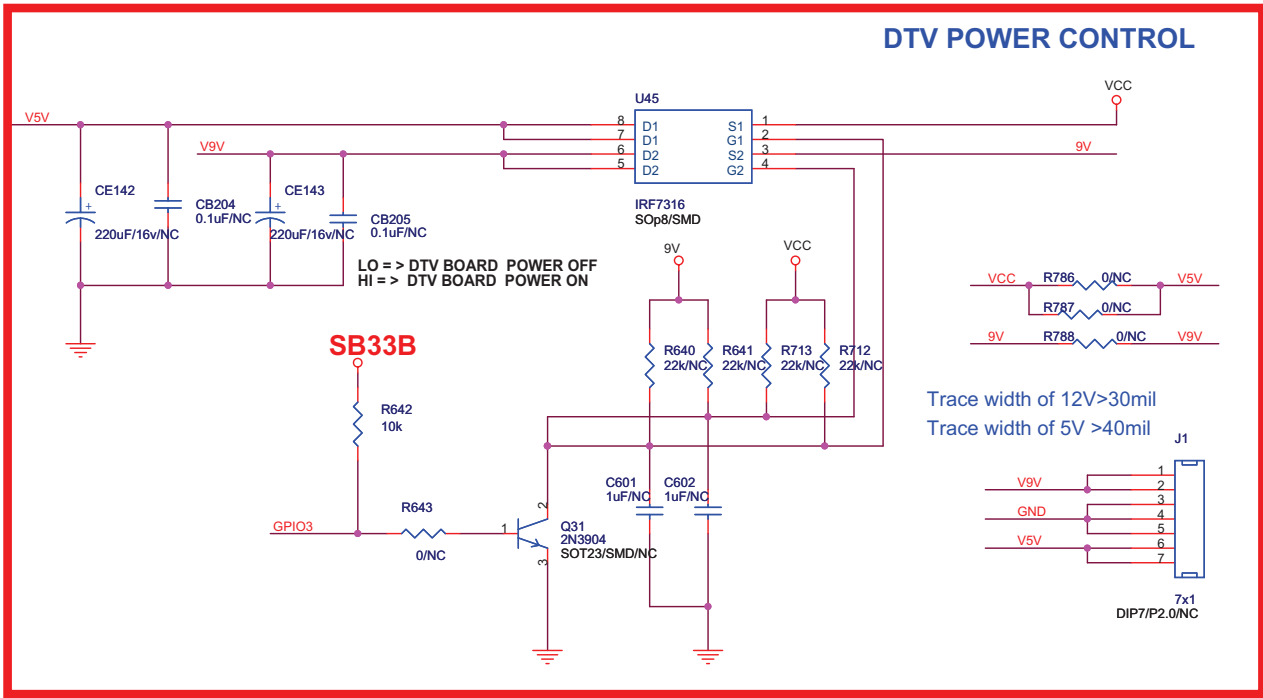
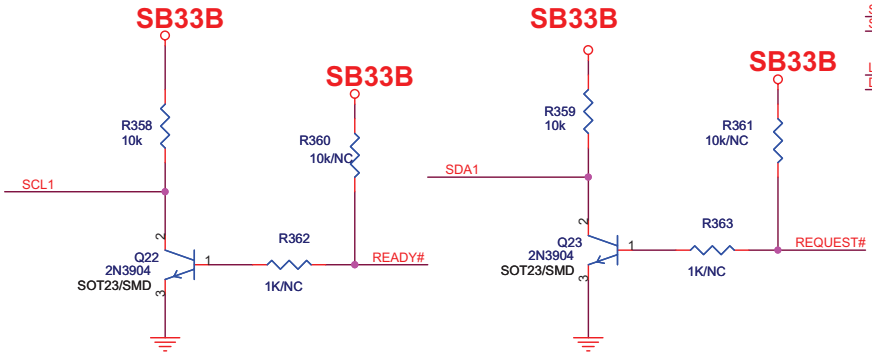
MT8293

ADD HDMI COAXOUT
 WHEN USE HDMI COAXOUT, C127 CHANGE 0 RES

KAWA Confidential

Title			
HDMI INPUT MT8293			
Size	Document Number	AKAI_MT8202_27US_LVDS_V0.0	Designer
C	Checked:	<Checker>	Rev 1
Date:	Thursday, April 20, 2006	Sheet	6 of 17

HDMIMCLK	>>>	HDMIMCLK	3,6
HDMIBCLK	>>>	HDMIBCLK	3,6
HDMILRCK	>>>	HDMILRCK	3,6
HDMISD0	>>>	HDMISD0	3,6
HDMIDE	>>>	HDMIDE	3,6
HDMIODCK	>>>	HDMIODCK	3,6
HDMIHSYNC	>>>	HDMIHSYNC	3,6
HDMIVSYNC	>>>	HDMIVSYNC	3,6
VI[0..23]	>>>	VI[0..23]	3,6
TXD	>>>	TXD	3,11
RXD	>>>	RXD	3,11
TXD1	>>>	TXD1	3
RXD1	>>>	RXD1	3
SCL1	>>>	SCL1	3
SDA1	>>>	SDA1	3
GPIO3	>>>	GPIO3	3
CCIR_V6	>>>	CCIR_V6	3
SCL0	>>>	SCL0	3
SDA0	>>>	SDA0	3
9V	>>>	9V	1,9,14



FOR MT5351 INTERFACE

KAWA Confidential

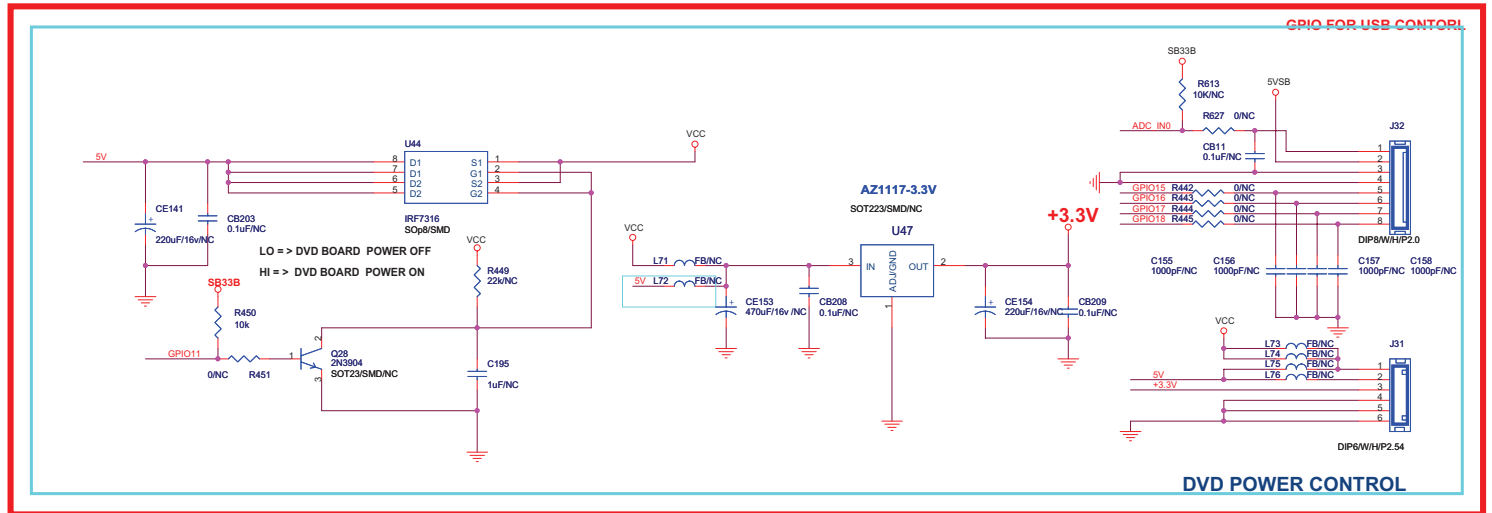
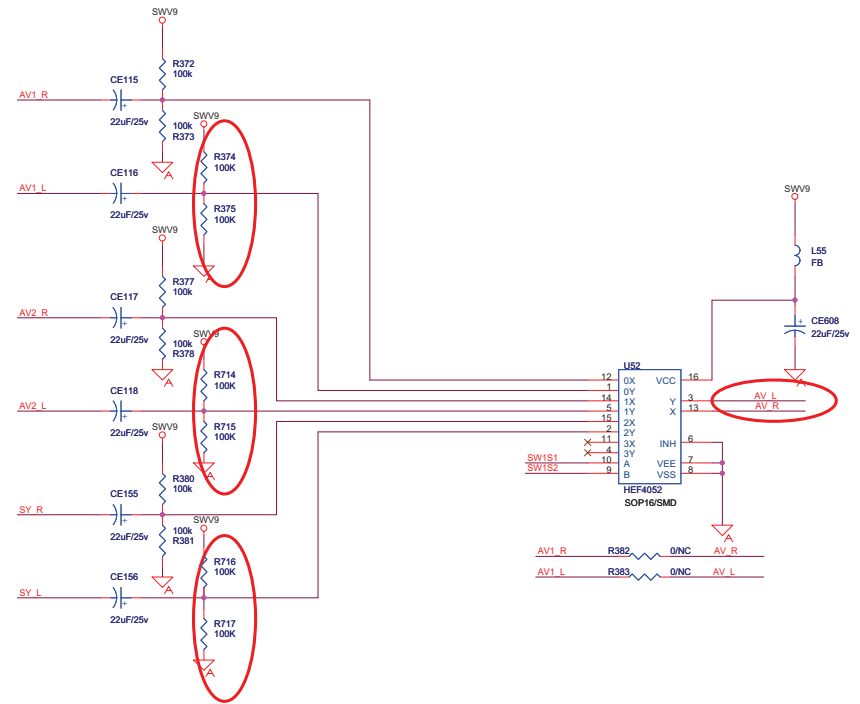
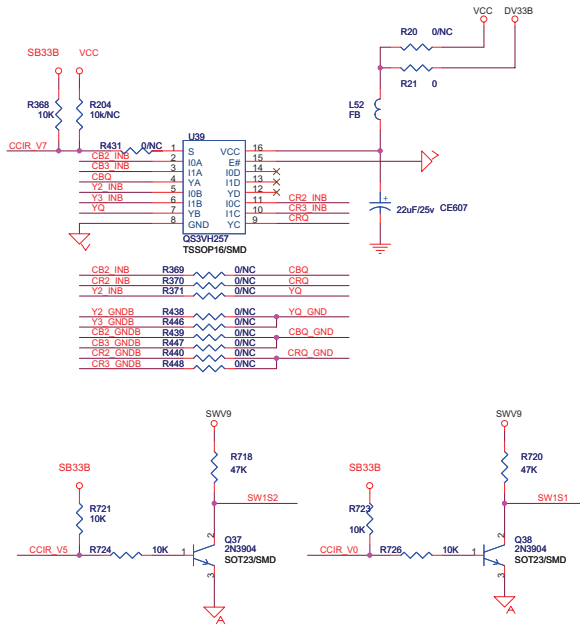
Title			
MT5351 INTERFACE			
Size	Document Number	<Designer>	Rev
B	AKAI_MT8202_27US_LVDS_V0.0	Checked: <Checker>	1
Date:	Thursday, April 13, 2006	Sheet	7
			17

INPUT

ADC_IN0	ADC_IN0	3
CCIR_V0	CCIR_V0	3
CCIR_V5	CCIR_V5	3
CCIR_V7	CCIR_V7	3
GPIO11	GPIO11	3
GPIO15	GPIO15	3
GPIO16	GPIO16	3
GPIO17	GPIO17	3
GPIO18	GPIO18	3
VFE_GND	VFE_GND	2,3,4,11
AADC_VSS	AADC_VSS	3,4,10
AV1_L	AV1_L	15
AV2_R	AV1_L	15
AV2_L	AV2_R	15
SY_R	AV2_L	15
SY_L	SY_R	15
YZ_INB	YZ_INB	15
YZ_GNDB	YZ_INB	15
CB2_INB	YZ_GNDB	10,15
CR2_INB	CB2_INB	10,15
CR2_GNDB	CR2_INB	10,15
YZ_INB	CR2_GNDB	10,15
Y3_INB	YZ_INB	15
Y3_GNDB	Y3_INB	15
CB3_INB	Y3_GNDB	15
CR3_GNDB	CB3_INB	15
CR3_INB	CR3_GNDB	15
CR3_GNDB	CR3_INB	15
9V	9V	1,7,9,14

OUTPUT

AV_R	AV_R	9
AV_L	AV_L	9
YQ	YQ	10
CBQ	CBQ	10
CRQ	CRQ	10
YQ_GND	YQ_GND	10
CBQ_GND	CBQ_GND	10
CRQ_GND	CRQ_GND	10



KAWA Confidential

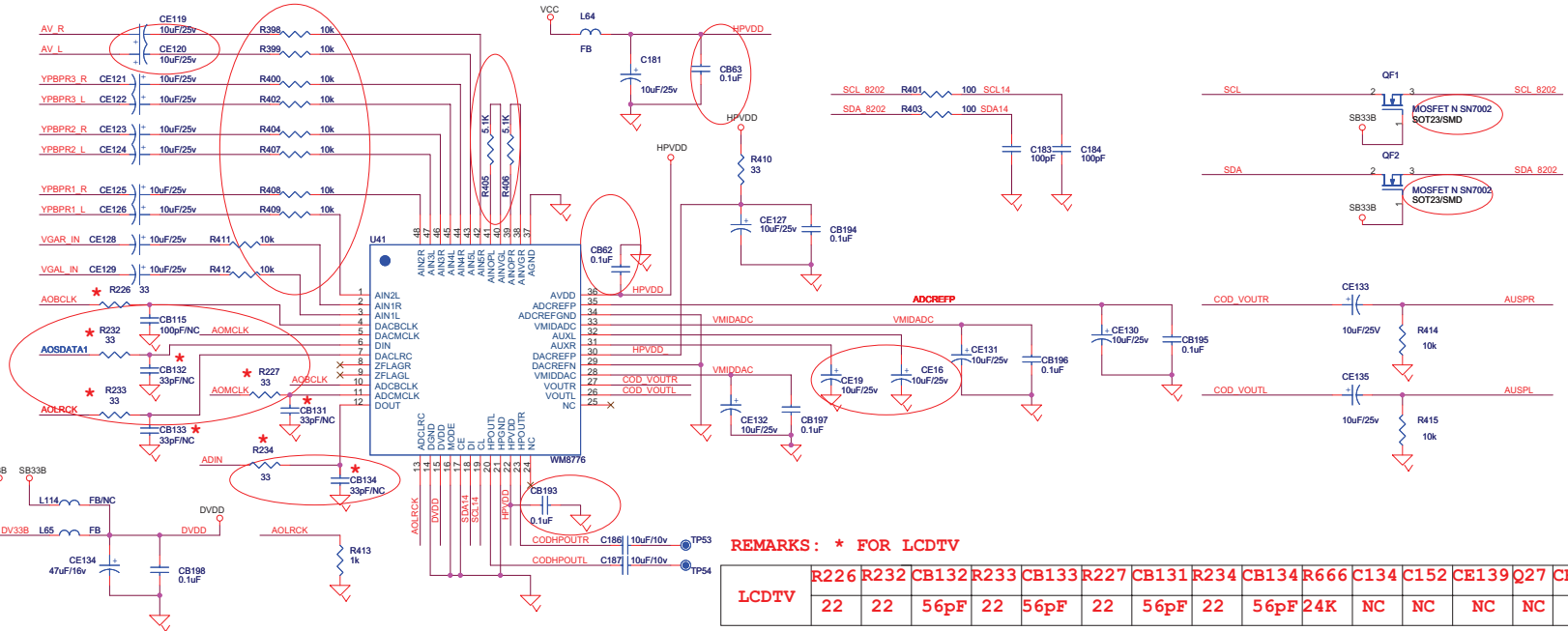
Title			
DAUGHTER BOARD IN			
Size	Document Number	<Designer>	Rev
C	AKAI_MT8202_27US_LVDS_V0.0	Checked: <Checker>	1
Date:	Thursday, April 13, 2006	Sheet	8

INPUT

GPIO7	GPIO7	3
SCL	SCL	1,14
SDA	SDA	1,14
SDA_8202	SDA_8202	3,6,12
SCL_8202	SCL_8202	3,6,12
AOSDATA1	AOSDATA1	3
AOMCLK	AOMCLK	3,16
AOBCLK	AOBCLK	3,16
AOLRCK	AOLRCK	3,16
ADIN	ADIN	3,16
AV_L	AV_L	8
YBPBR1_L	YBPBR1_L	15
YBPBR1_R	YBPBR1_R	15
YBPBR2_L	YBPBR2_L	15
YBPBR2_R	YBPBR2_R	15
YBPBR3_L	YBPBR3_L	15
YBPBR3_R	YBPBR3_R	15
VGAR_IN	VGAR_IN	11
VGAL_IN	VGAL_IN	11
TESTP2	TESTP2	3
AR	AR	3
MU	MU	16
A_MUTE	A_MUTE	17
9V	9V	1,7,14

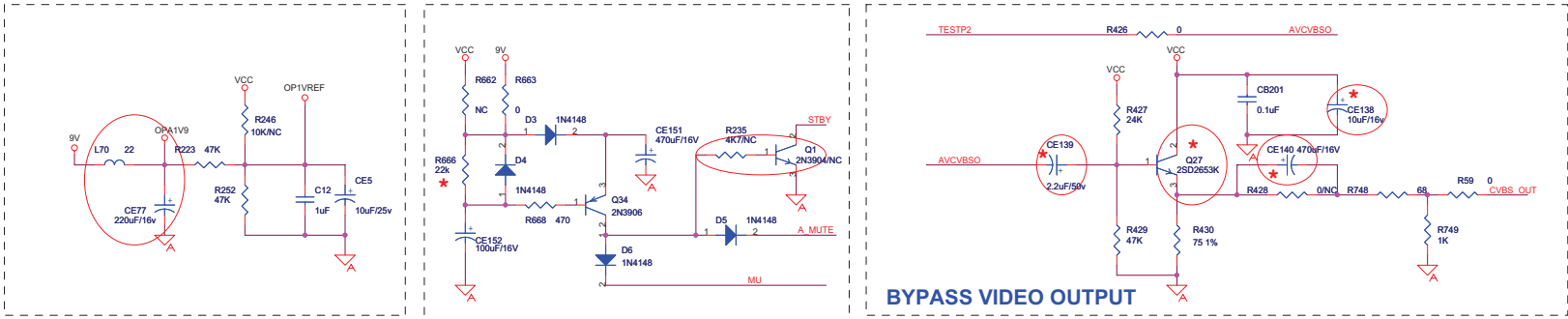
OUTPUT

AUSPR	AUSPR	16
AUSPL	AUSPL	16
AVR_OUT	AVR_OUT	16
AVL_OUT	AVL_OUT	16
CVBS_OUT	CVBS_OUT	6,15

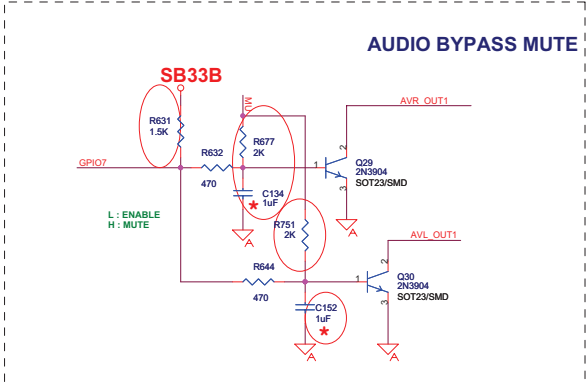


REMARKS: * FOR LCDTV

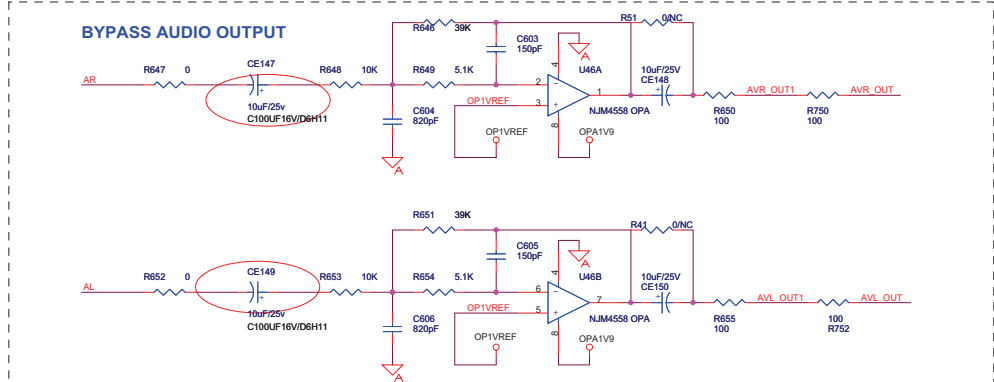
LCDTV	R226	R232	CB132	R233	CB133	R227	CB131	R234	CB134	R666	C134	C152	CE139	Q27	CE140	CE138
	22	22	56pF	22	56pF	22	56pF	22	56pF	24K	NC	NC	NC	NC	NC	NC



BYPASS VIDEO OUTPUT



AUDIO BYPASS MUTE



BYPASS AUDIO OUTPUT

KAWA Confidential

Title M8776 & VIDEO BYPASS			
Size	Document Number	AKAI_MT8202_27US_LVDS_V0.0	Designer
Sheet	Checked:	<Checker>	Sheet
Date:	Saturday, April 22, 2006	Sheet	17

CVBS0 >>> CVBS0 3
 CVBS1 >>> CVBS1 3
 CVBS2 >>> CVBS2 3

SY0 >>> SY0 3
 SC0 >>> SC0 3

SY1 >>> SY1 3
 SC1 >>> SC1 3

Y0+ >>> Y0+ 3
 Y0- >>> Y0- 3
 PB0+ >>> PB0+ 3
 PB0- >>> PB0- 3
 PR0+ >>> PR0+ 3
 PR0- >>> PR0- 3
 SOY0 >>> SOY0 3

Y1+ >>> Y1+ 3
 Y1- >>> Y1- 3
 PB1+ >>> PB1+ 3
 PB1- >>> PB1- 3
 PR1+ >>> PR1+ 3
 PR1- >>> PR1- 3
 SOY1 >>> SOY1 3

MPX1 >>> MPX1 3
 MPX2 >>> MPX2 3

TO MT8202

TV_GND >>> TV_GND 14
 CVBS_0 >>> CVBS_0 14
 SIF >>> SIF 14
 AF >>> AF 14

CVBS_1 >>> CVBS_1 15
 CVBS1_GND >>> CVBS1_GND 15
 CVBS_2 >>> CVBS_2 15
 CVBS2_GND >>> CVBS2_GND 15

SY_1 >>> SY_1 15
 SY_1_GND >>> SY_1_GND 15
 SC_1 >>> SC_1 15
 SC_1_GND >>> SC_1_GND 15

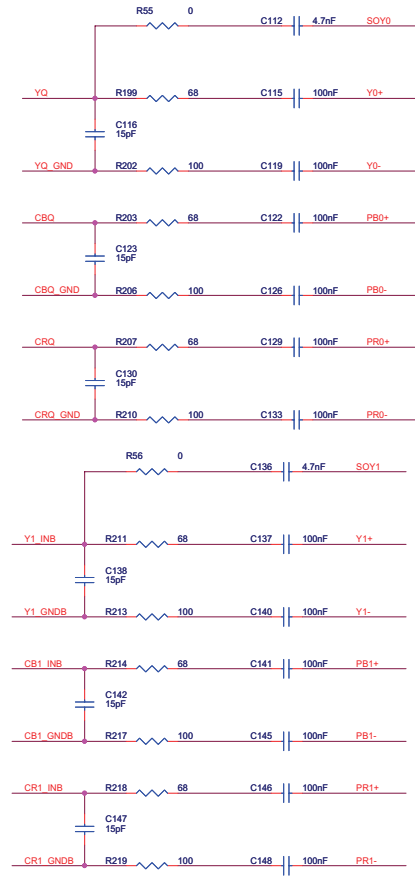
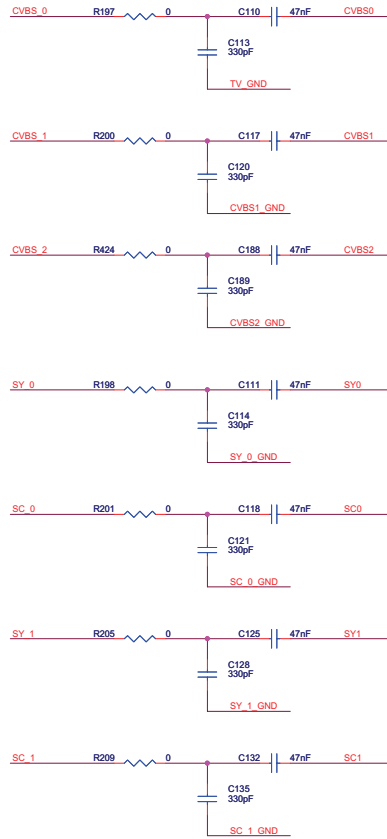
SY_0 >>> SY_0 15
 SY_0_GND >>> SY_0_GND 15
 SC_0 >>> SC_0 15
 SC_0_GND >>> SC_0_GND 15

SOY1 >>> SOY1 3
 SOY0 >>> SOY0 3
 Y1_INB >>> Y1_INB 15
 Y1_GNDB >>> Y1_GNDB 8,15
 CR1_INB >>> CR1_INB 15
 CR1_GNDB >>> CR1_GNDB 8,15
 CB1_INB >>> CB1_INB 15
 CB1_GNDB >>> CB1_GNDB 8,15
 CRO >>> CRO 8
 YO >>> YO 8
 YO_GND >>> YO_GND 8
 CBO_GND >>> CBO_GND 8
 CRO_GND >>> CRO_GND 8

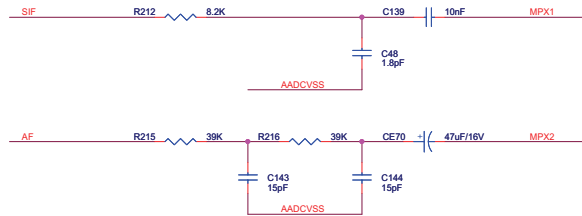
FROM AV BOARD

AADCYSS >>> AADCYSS 3,4

THIS PAGE NEARLY IC



FROM Tuner

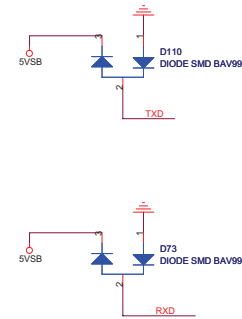
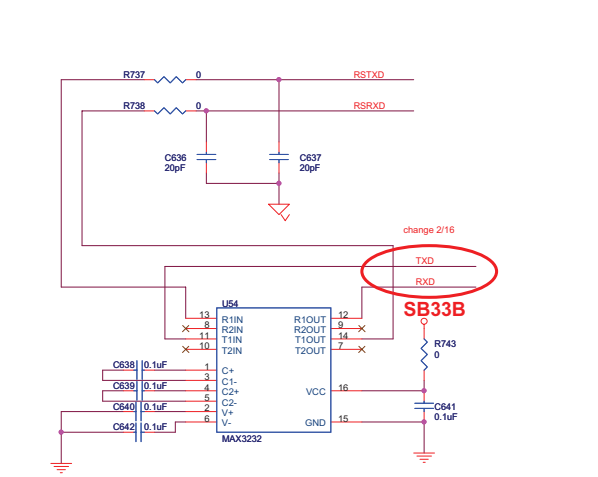
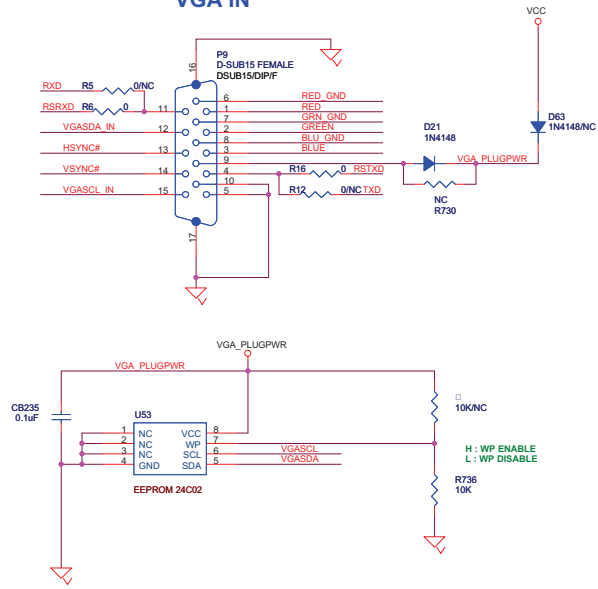


KAWA Confidential

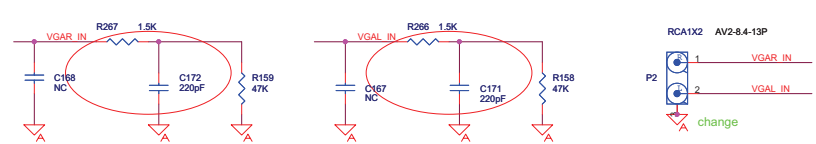
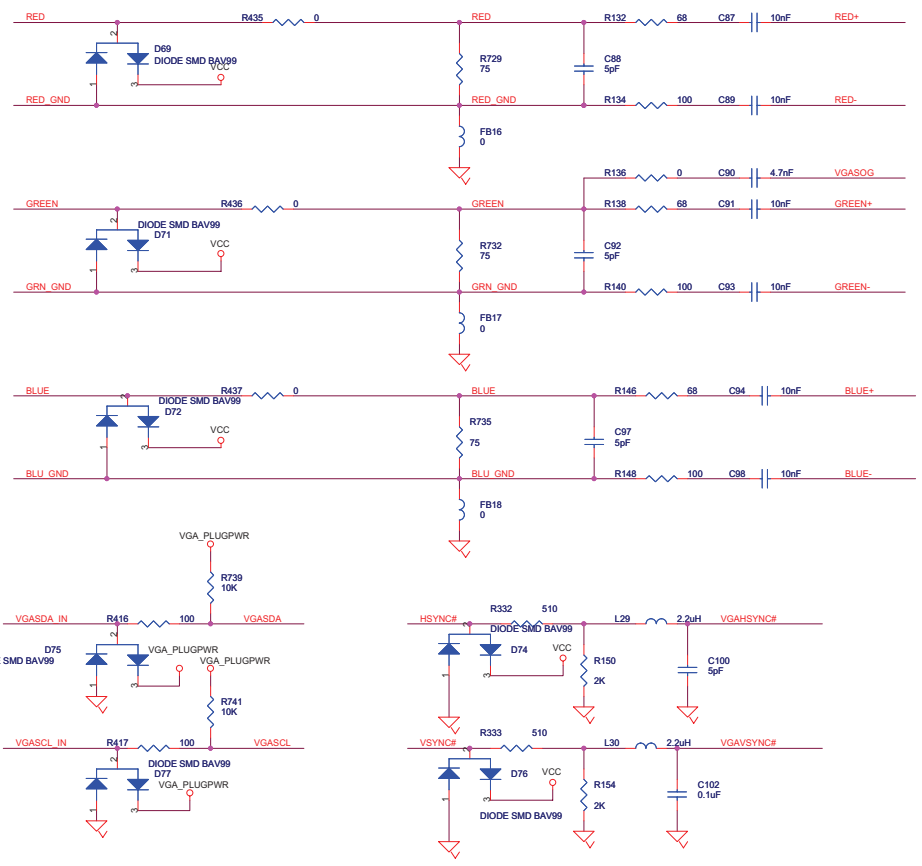
AUDIO / VIDEO IN CIRCUIT			
Size	Document Number	<Designer>	Rev
C	AKAI_MT8202_27US_LVDS_V0.0	<Checker>	1
Date:	Thursday, April 13, 2006	Sheet	10 / 17



VGA IN

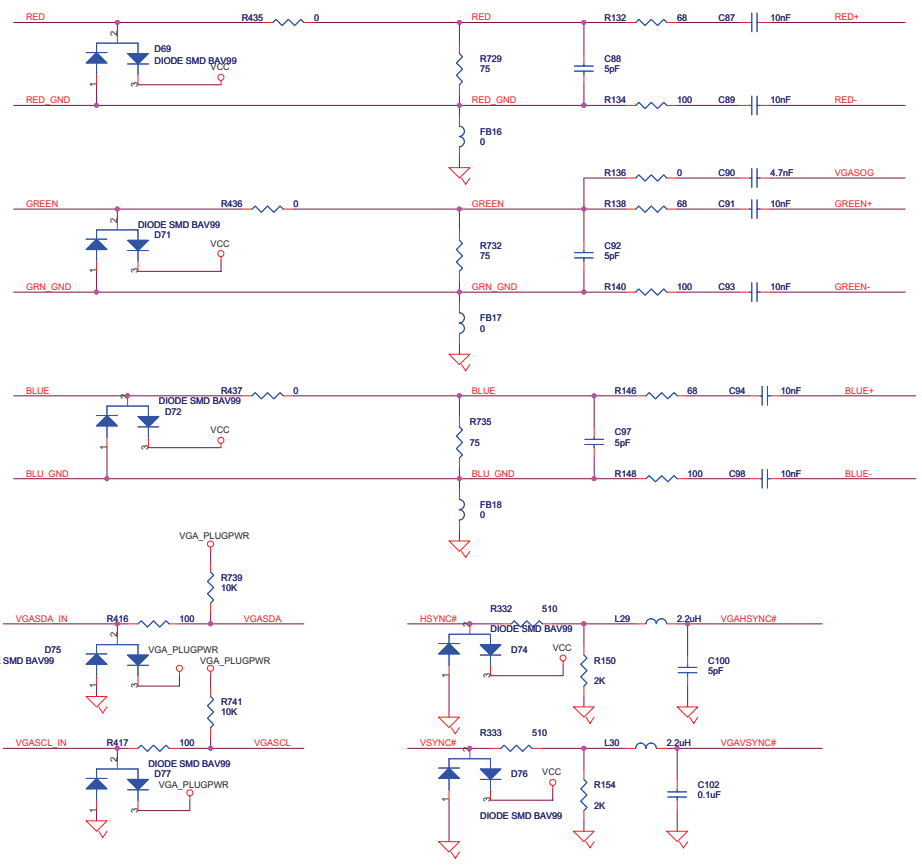


NEARLY VGA CON



VGA/DVI AUDIO INPUT

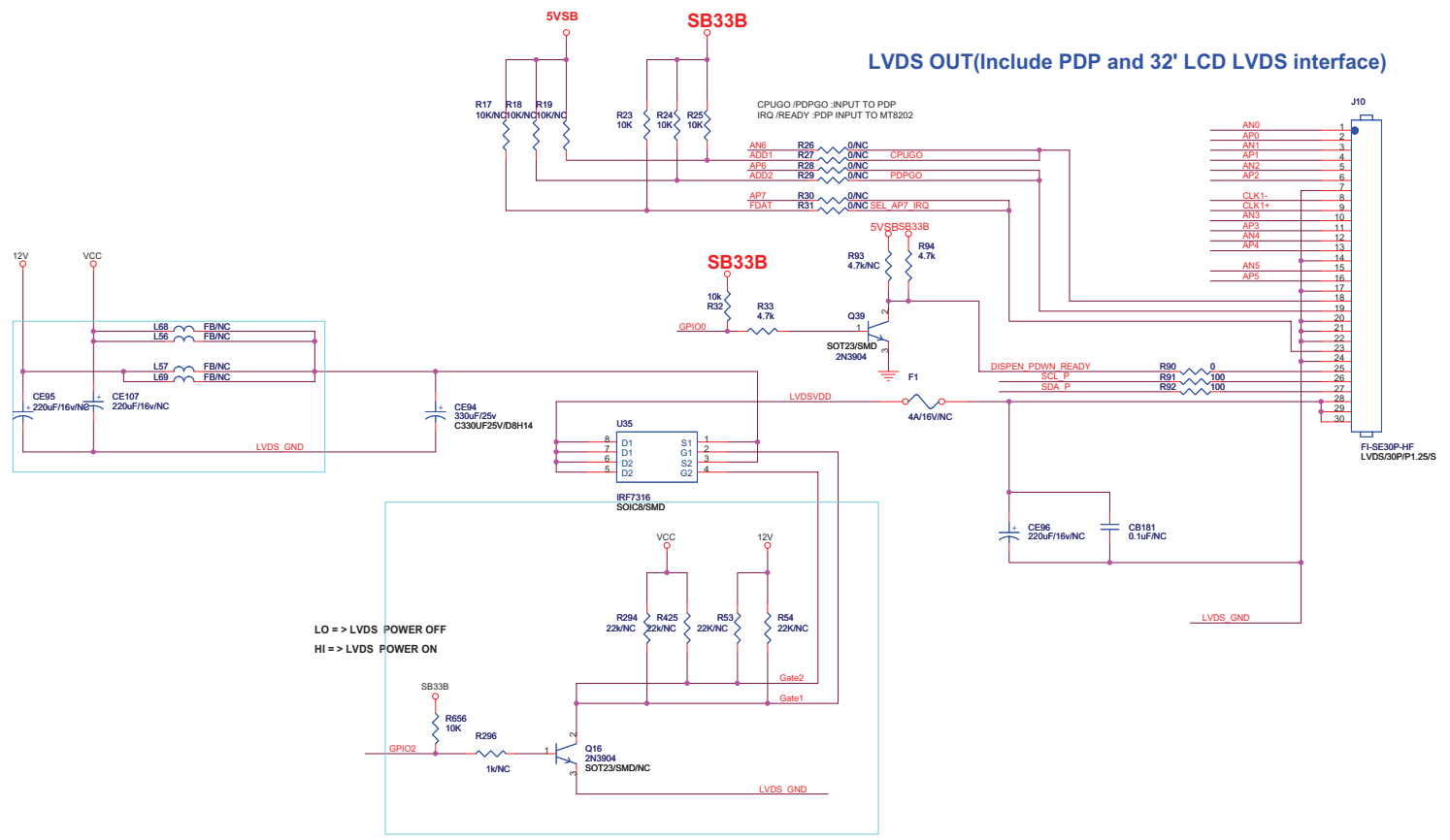
NEARLY 8202



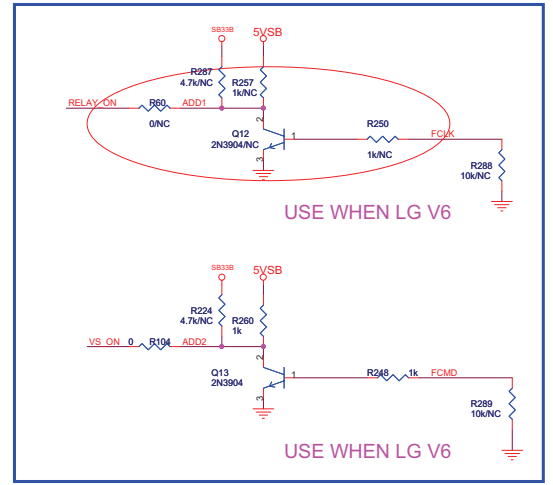
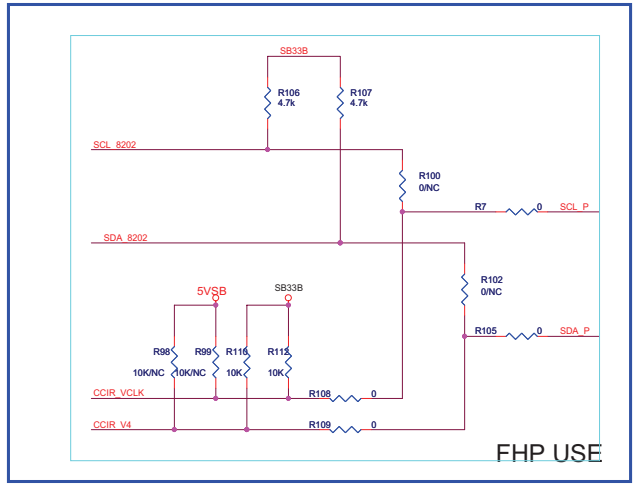
KAWA Confidential

Title		VGA IN & PC AUDIO IN	
Size	Document Number	<Designer>	Rev
C	AKAL_MT8202_27US_LVDS_V0.0	Checked: <Checker>	1
Date:	Thursday, April 13, 2006	Sheet	11 / 17

GPIO0	>>	GPIO2	3
CLK1+	>>	CLK1+	3
CLK1-	>>	CLK1-	4
AP0_7	>>	AP0_7	3
AND_6	>>	AND_6	3
LVDS_GND	>>	LVDS_GND	2,3,4
LVDS0D	>>	LVDS0D	2,3,4
CCIR_VCLK	>>	CCIR_VCLK	3
CCIR_V4	>>	CCIR_V4	3
FCLK	>>	FCMD	3
FCMD	>>	FCMD	3
FDAT	>>	FDAT	3
SCL_8202	>>	SCL_8202	3,6,9
SDA_8202	>>	SDA_8202	3,6,9
RELAY_ON	>>	RELAY_ON	1
VS_ON	>>	VS_ON	1
12V	>>	12V	1,13



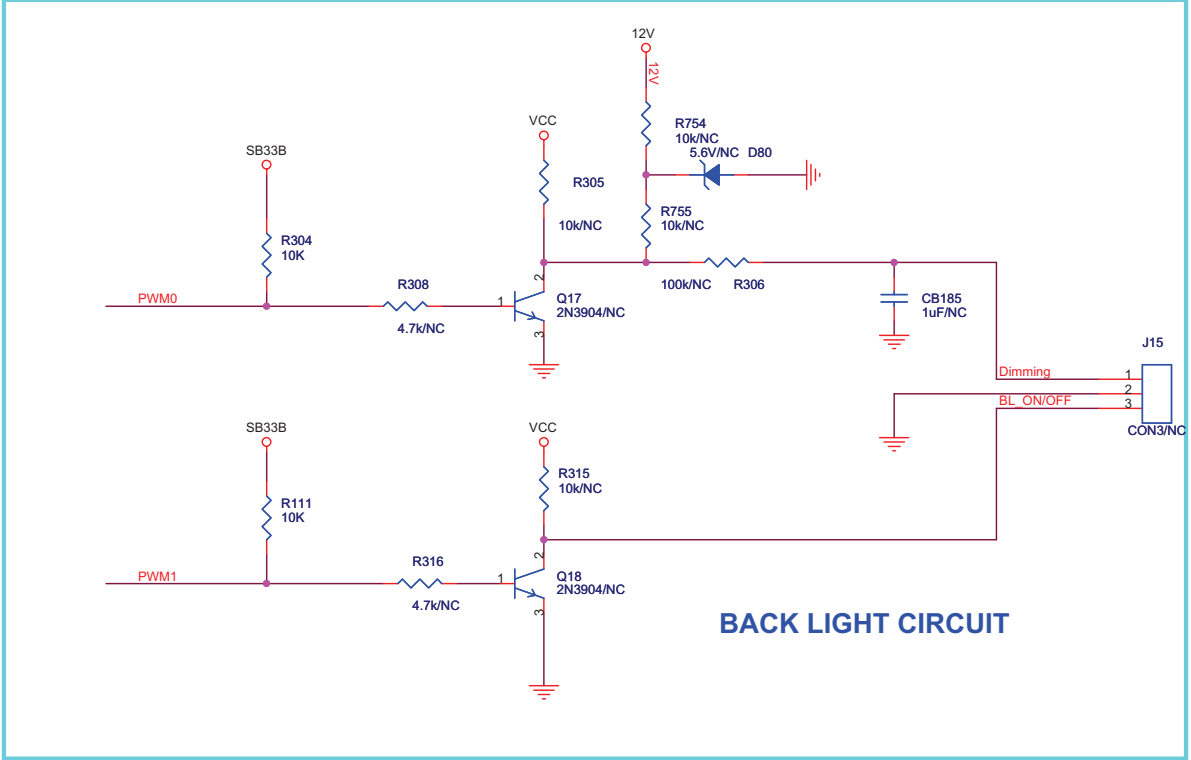
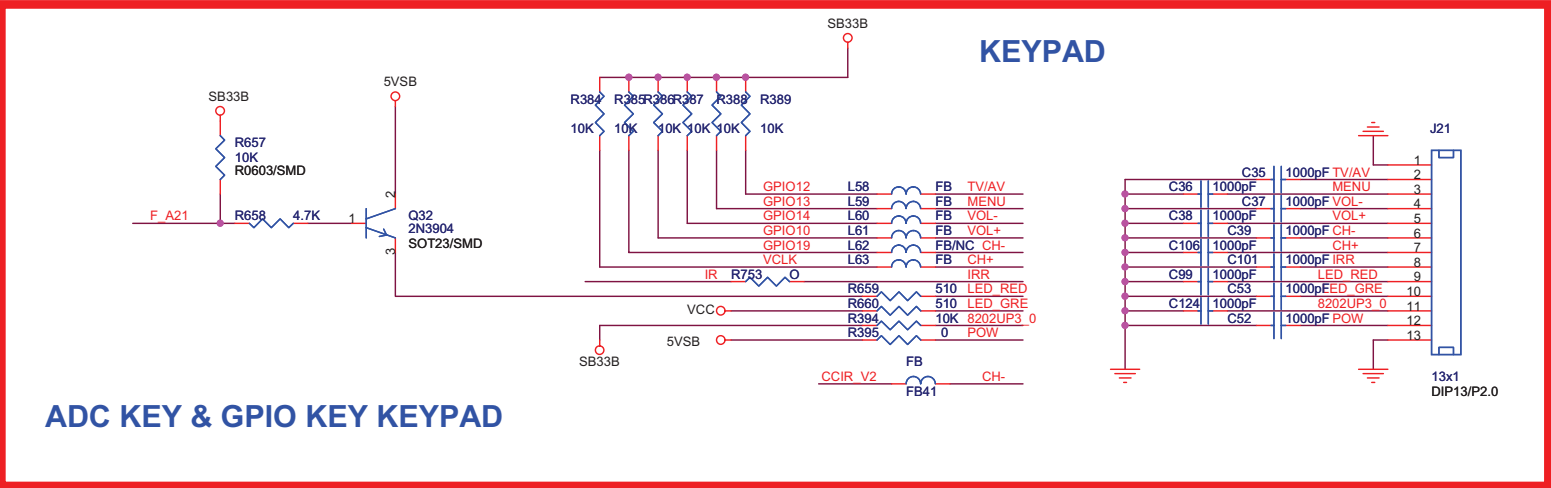
LO => LVDS POWER OFF
HI => LVDS POWER ON



KAWA Confidential

LVDS OUT			
Size	Document Number	<Designer>	Rev
C	AKAI_MT8202_27US_LVDS_V0.0	Checked: <Checker>	1
Date:	Thursday, April 13, 2006	Sheet	17

IR	>>>IR	3,15
GPIO10	>>>GPIO10	3
GPIO12	>>>GPIO12	3
GPIO13	>>>GPIO13	3
GPIO14	>>>GPIO14	1,3
PWM0	>>>PWM0	3
PWM1	>>>PWM1	3
8202UP3_0	>>>8202UP3_0	3
GPIO14	>>>GPIO14	1,3
GPIO19	>>>GPIO19	1,3
VCLK	>>>VCLK	3
F_A21	>>>F_A21	3
CCIR_V2	>>>CCIR_V2	3
12V	>>>12V	1,12

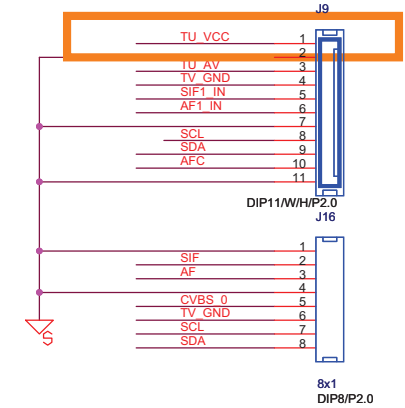
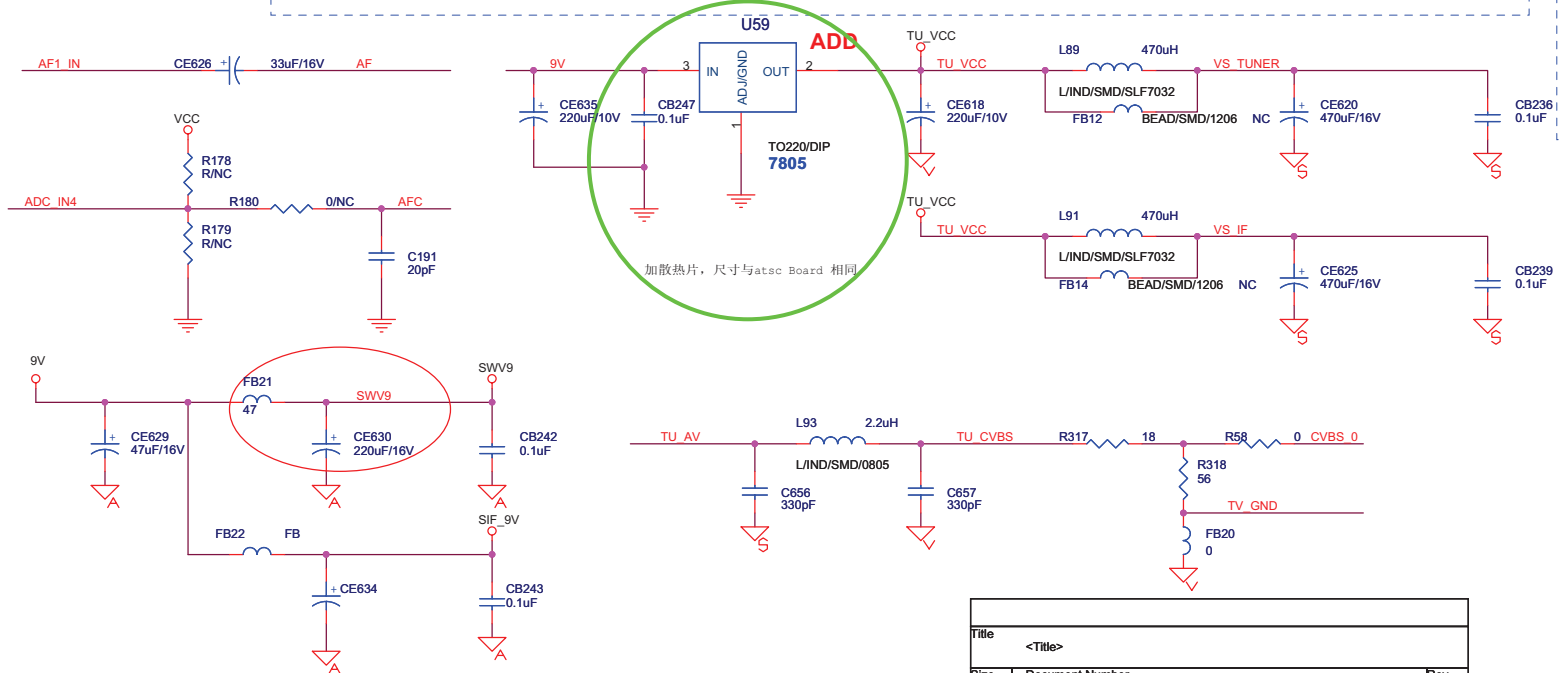
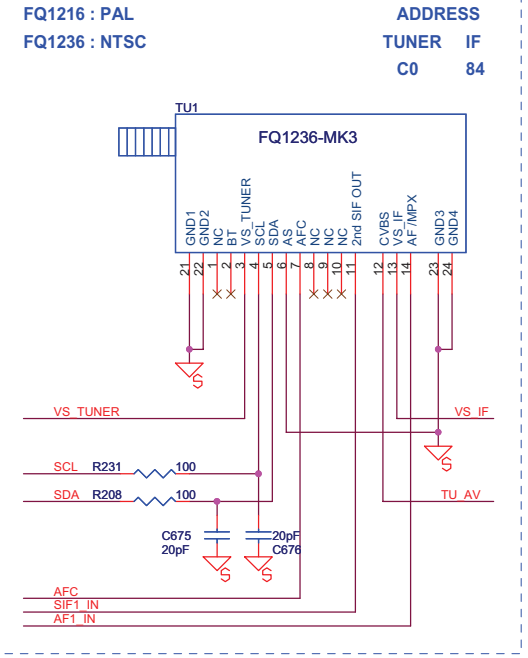
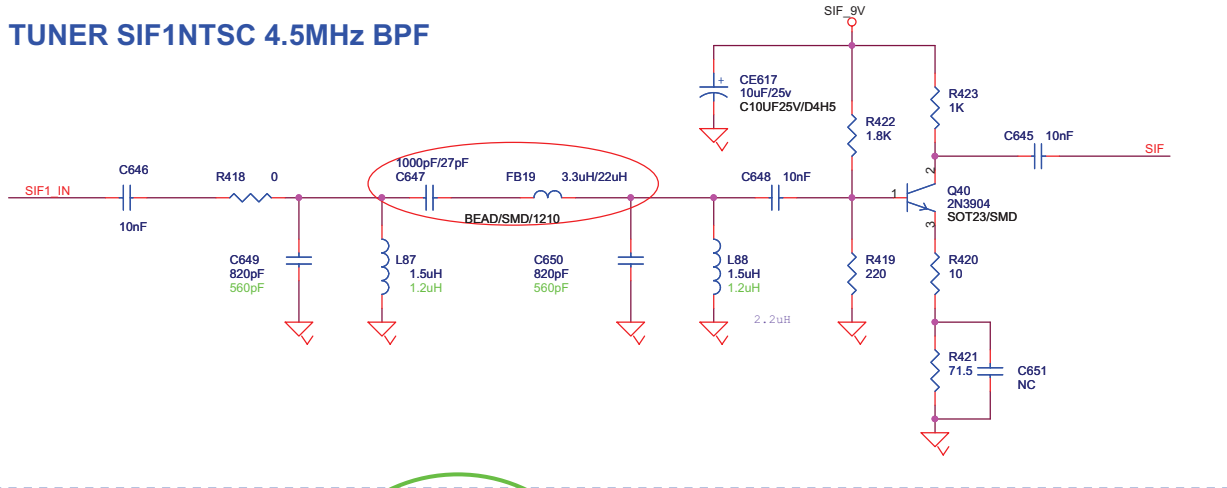


KAWA Confidential

Title			
BACK LIGHT / KEYPAD			
Size	Document Number	<Designer>	Rev
B	AKAI_MT8202_27US_LVDS_V0.0	Checked: <Checker>	1
Date:	Thursday, April 13, 2006	Sheet	13

SCL SCL 1,9
 SDA SDA 1,9
 CVBS_0 CVBS_0 10
 TV_GND TV_GND 10
 AF AF 10
 SIF SIF 10
 ADC_IN4 ADC_IN4 3
 9V 9V 1,7,9

TUNER SIF1NTSC 4.5MHz BPF

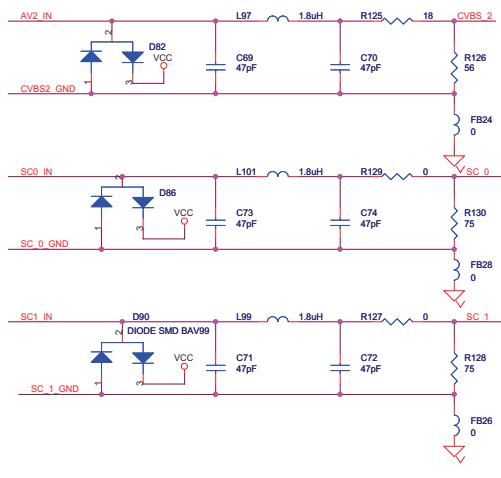
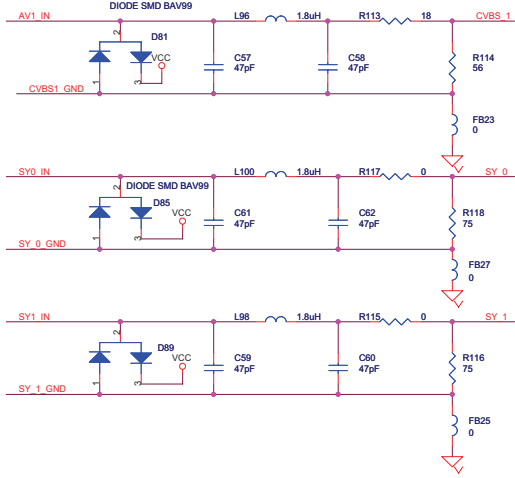
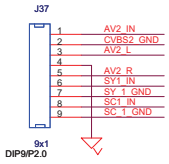
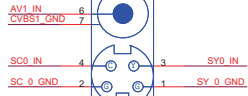


KAWA Confidential

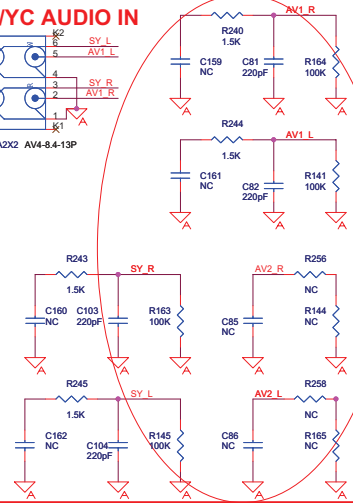
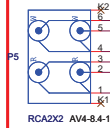
Title		<Title>
Size	Document Number	Rev
Custom-Doc		<Rev Code>
Date:	Thursday, April 13, 2006	Sheet 1 of 1

Title		TUNER IN	
Size	Document Number	<Designer>	Rev
Custom	KAL_MT8202_27US_LVDS_V0.0	Checked: <Checker>	1
Date:	Thursday, April 13, 2006	Sheet	14 of 17

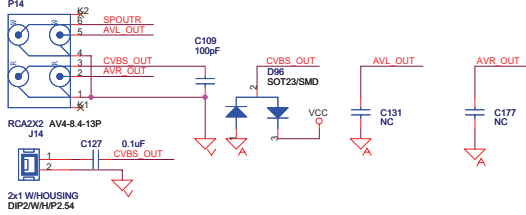
AV /YC VIDEO IN



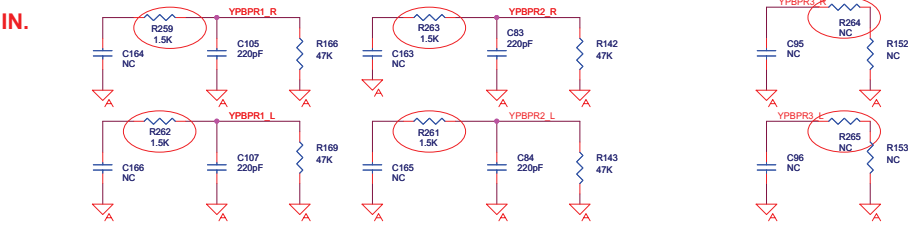
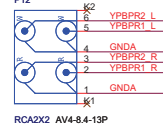
AV /YC AUDIO IN



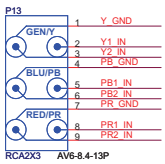
AV VIDEO/AUDIO OUT.



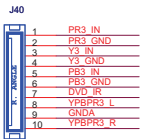
YPBPR AUDIO IN.



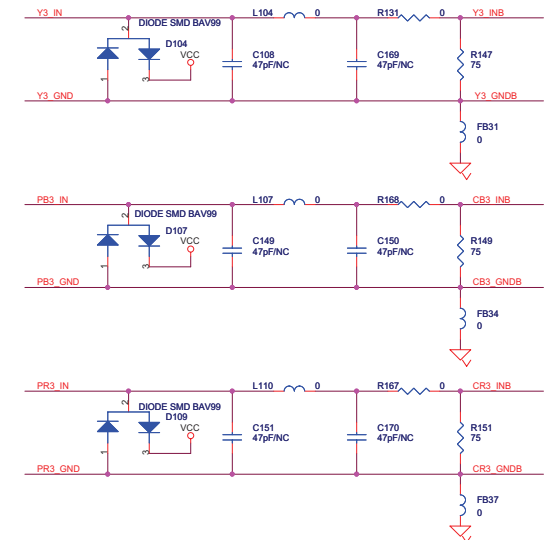
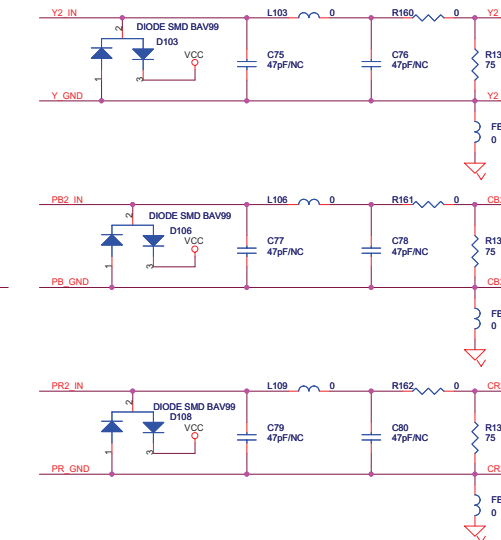
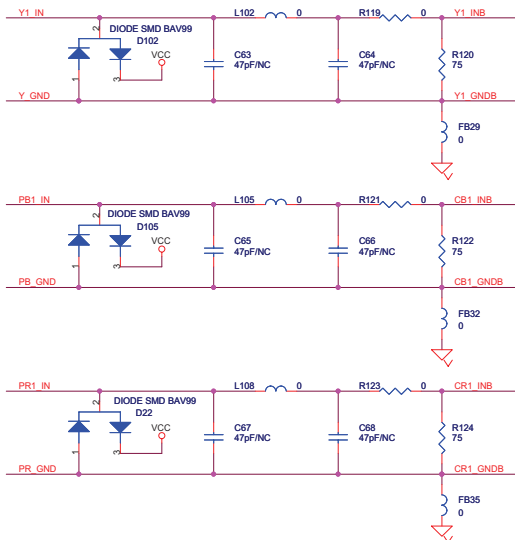
YPBPR VIDEO IN.



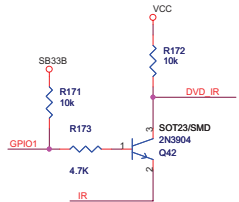
YPBPR1 / 2 INPUT.



YPBPR 3 INPUT.



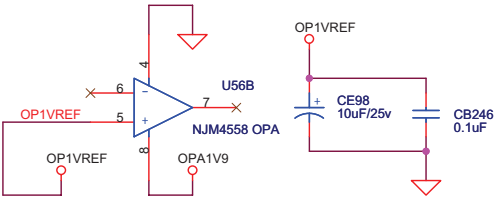
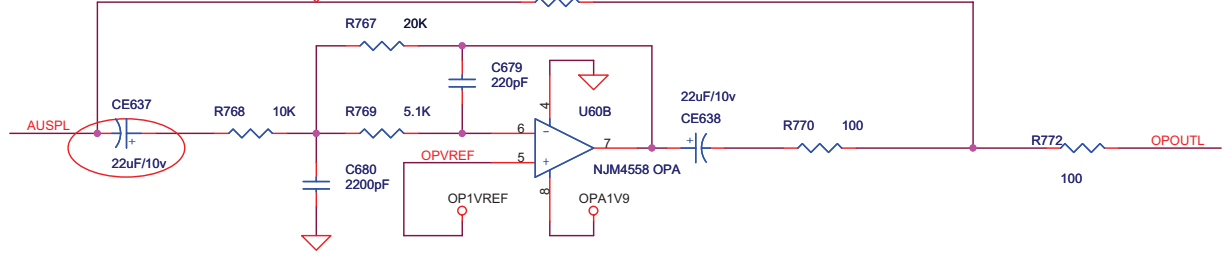
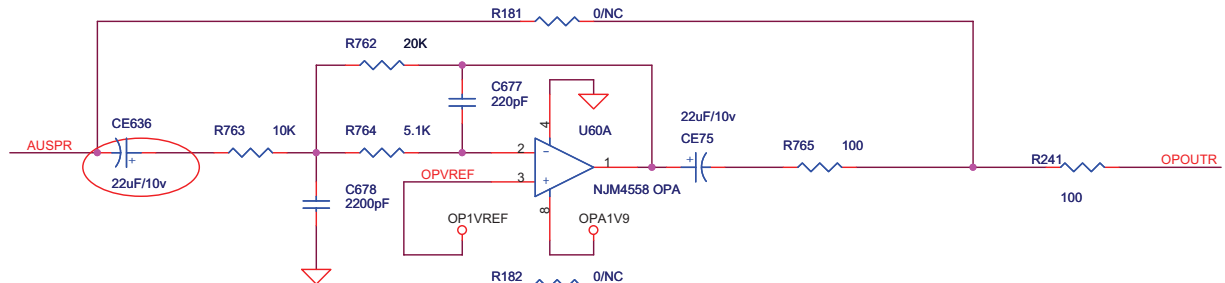
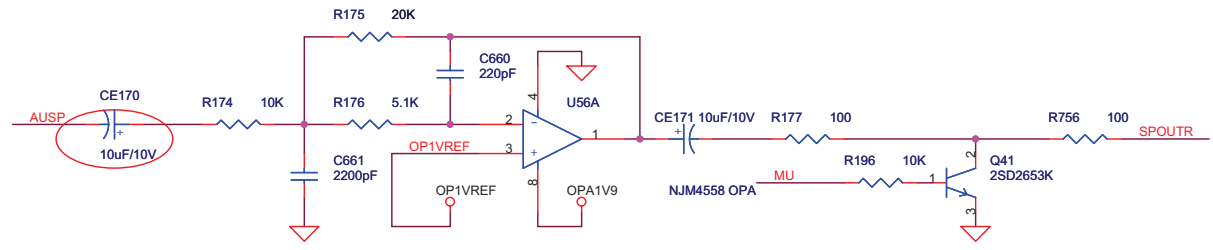
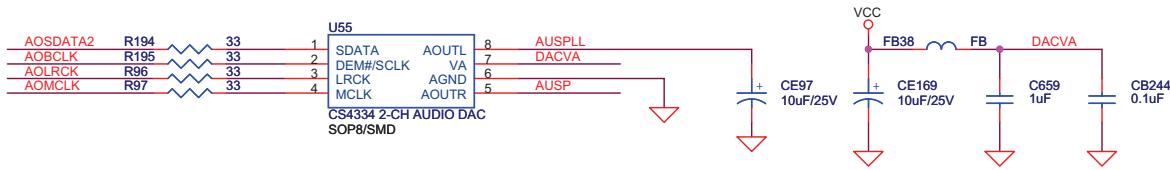
GPIO1	GPIO1	3
IR	IR	3,13
SY 1	SY 1	10
SY 1 GND	SY 1 GND	10
SC 1	SC 1	10
SC 1 GND	SC 1 GND	10
SY 0	SY 0	10
SY 0 GND	SY 0 GND	10
SC 0	SC 0	10
SC 0 GND	SC 0 GND	10
CVBS 1	CVBS 1	10
CVBS 1 GND	CVBS 1 GND	10
CVBS 2	CVBS 2	10
CVBS 2 GND	CVBS 2 GND	10
SPOUTIR	SPOUTIR	16
SPOUTR	SPOUTR	16
AVR_OUT	AVR_OUT	9
AVL_OUT	AVL_OUT	9
CVBS_OUT	CVBS_OUT	6,9
AV1_R	AV1_R	8
AV1_L	AV1_L	8
AV2_R	AV2_R	8
AV2_L	AV2_L	8
SY_R	SY_R	8
SY_L	SY_L	8
YPBPR1_L	YPBPR1_L	8
YPBPR1_R	YPBPR1_R	9
YPBPR2_L	YPBPR2_L	9
YPBPR2_R	YPBPR2_R	9
YPBPR3_L	YPBPR3_L	9
YPBPR3_R	YPBPR3_R	9
Y1_INB	Y1_INB	10
Y1_GNDB	Y1_GNDB	10,10
CBI_INB	CBI_INB	10
CBI_GNDB	CBI_GNDB	10
CRI_INB	CRI_INB	10
CRI_GNDB	CRI_GNDB	10
Y2_INB	Y2_INB	8
CBI_INB	CBI_INB	8
CBI_GNDB	CBI_GNDB	8
Y3_INB	Y3_INB	8
CBI_INB	CBI_INB	8
CBI_GNDB	CBI_GNDB	8
Y3_GNDB	Y3_GNDB	8
Y3_INB	Y3_INB	8
Y3_GNDB	Y3_GNDB	8
CR2_INB	CR2_INB	8
CR2_GNDB	CR2_GNDB	8
CR3_INB	CR3_INB	8
CR3_GNDB	CR3_GNDB	8
CR3_INB	CR3_INB	8
CR3_GNDB	CR3_GNDB	8
GNDV	GNDV	
GND A	GND A	



KAWA Confidential

Title				AV IN	
Size	Document Number			<Designer>	Rev
C	AKAI_MT8202_27US_LVDS_V0.0			Checked: <Checker>	1
Date:	Thursday, April 13, 2006	Sheet	15	17	

AOSDATA2 >>> AOSDATA2 3
 AOMCLK >>> AOMCLK 3,9
 AOBCLK >>> AOBCLK 3,9
 AOLRCK >>> AOLRCK 3,9
 MU >>> MU 9
 SPOUTR >>> SPOUTR 15
 AUSPR >>> AUSPR 9
 AUSPL >>> AUSPL 9
 OPOUTL >>> OPOUTL 17
 OPOUTR >>> OPOUTR 17
 A_MUTE >>> A_MUTE 9,17



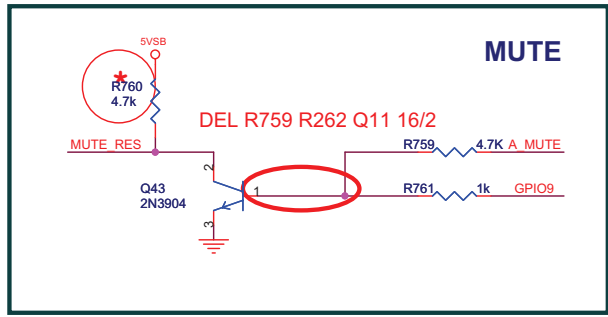
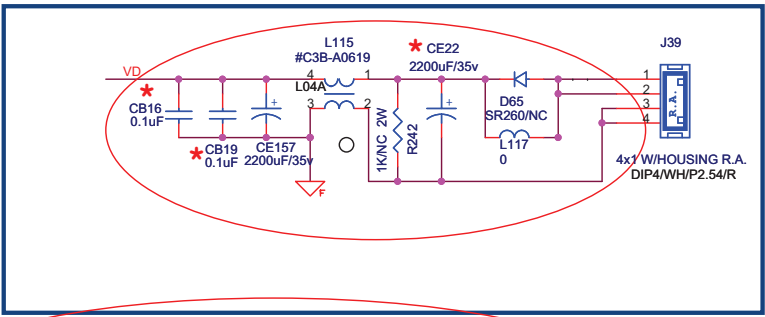
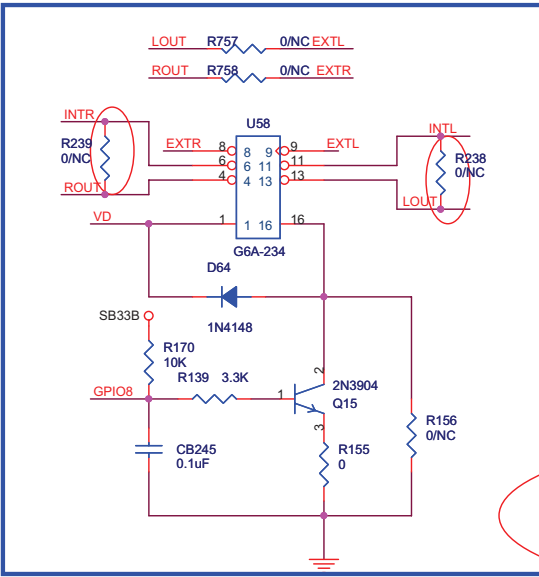
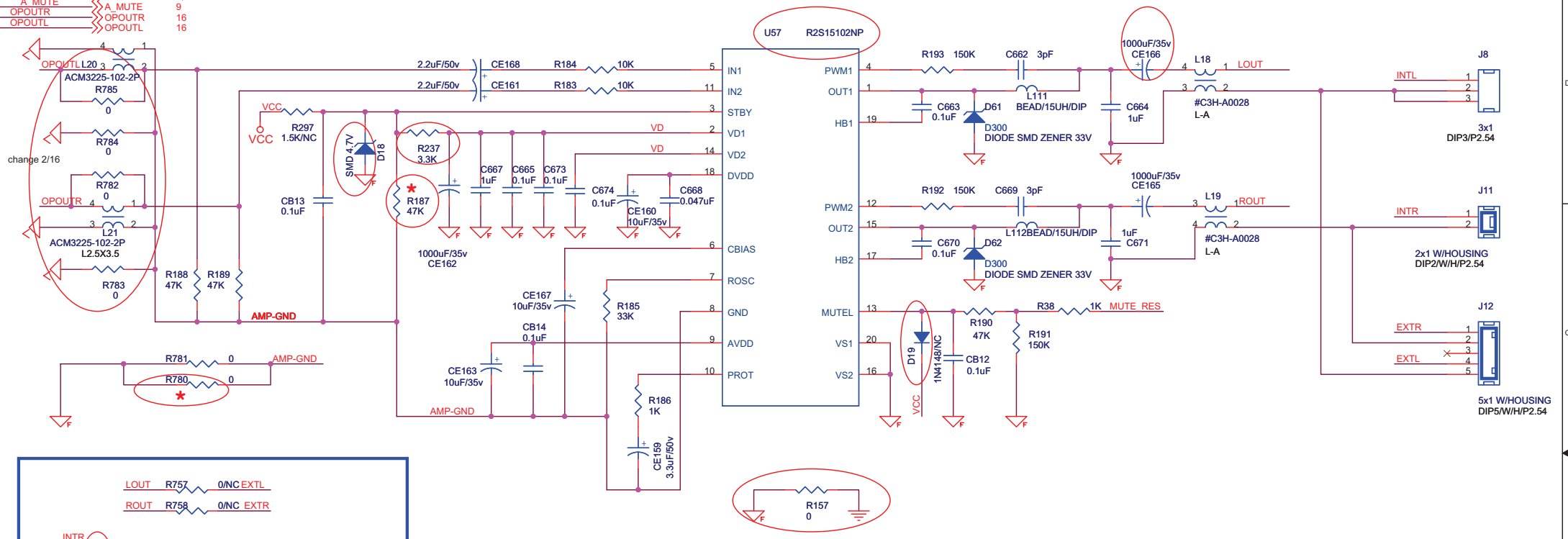
GPIO DECRPTION

- UP3_4 : SW SCL
- UP3_5 : SW SDA
- ERO0/UP3_0 : KEYPAD POWER
- ERO1/UP3_1 : MAIN POWER SWITCH
- VCLK : KEPAD CH+
- GPIO19 : KEPAD CH-
- DE/GPIO : DVD IR
- CCIR_CLK : PDP USE
- CCIR_V4 : PDP USE
- GPIO0 : PDP USE
- GPIO1 : NO USE
- GPIO2 : LVDS POWER SW
- GPIO3 : DTV POWER CONTROL
- GPIO4 : EEPROM WRITE PROTECT
- GPIO5/TXD : 2nd UART FOR MT5351
- GPIO6/RXD : 2nd UART FOR MT5351
- GPIO7 : AUDIO BYPASS MUTE CONTROL
- GPIO8 : SPEAKER SWITCH
- GPIO9 : AUDIO MUTE
- GPIO10 : Indicates active video at HDMI port
- GPIO11 : DVD POWER CONTROL
- GPIO12 : AV SWITCH
- GPIO13 : HDMI Hot Plug Detect
- GPIO14 : NO USE
- GPIO[15..18] : FOR DVD CONTROL
- GPIO/PWM0 : DIMMING
- GPIO/PWM1 : BACKLIGHT ON/OFF
- OUT_27Mhz/GPIO : HDMI CRYSTAL
- SDA1 : TO MT5351 I/F REQUEST
- SCL1 : TO MT5351 I/F READY
- F_A21 : KEYPAD(LED RED)
- ADCIN0 : KEYPAD
- ADCIN3:PDP 5VD DETECT
- ADCIN4:FOR TUNER AFC
- CCIR_V[0-3] : KEYPAD
- CCIR_V5 : AUDIO SWITCH
- CCIR_V6 : RESET DTV
- CCIR_V7 : YBPBR VIDEO SWITCH

KAWA Confidential

Title			
SUB WOOFER			
Size	Document Number	<Designer>	Rev
B	AKAI_MT8202_27US_LVDS_V0.0	Checked: <Checker>	1
Date:	Thursday, April 13, 2006	Sheet	16

GPIO8	GPIO8	3
GPIO9	GPIO9	3
AUSPR	AUSPR	9,16
AUSPL	AUSPL	9,16
A_MUTE	A_MUTE	9
OPOUTR	OPOUTR	16
OPOUTL	OPOUTL	16



REMARKS : * FOR LCDTV

LCDTV	R780	R187	R760	CB16	CB19	CE22
	NC	51K	2.2K	NC	NC	NC

KAWA Confidential

GPIO8: SPEAKER SWITCH(INTERNAL OR EXTERNAL)

Title			
AUDIO Amplifier			
Size	Document Number	<Designer>	Rev
B	AKAL_MT8202_27US_LVDS_V0.0		1
Date:	Saturday, April 22, 2006	Checked: <Checker>	Sheet
			17

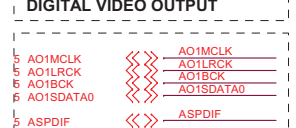
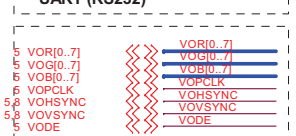
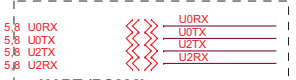
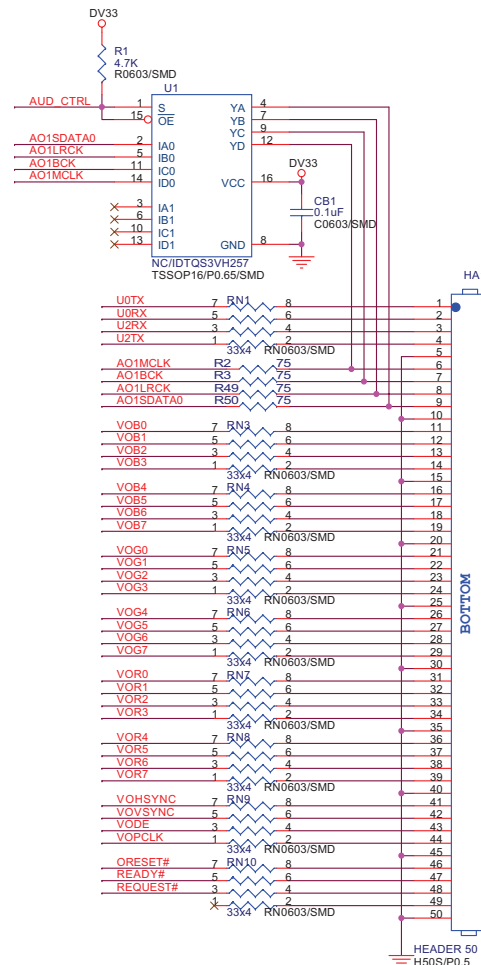
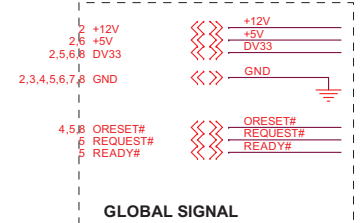
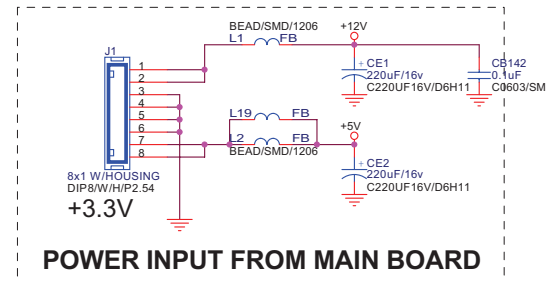
MT5111 / MT5351 REFERENCE DESIGN - 4 LAYERS

Rev	History	P#	DATE
RA-V1	INITIAL VERSION		2005/06/15
RA-V2	ADDED AUDIO SWITCH / REFINE POWER CIRCUIT		2005/07/14

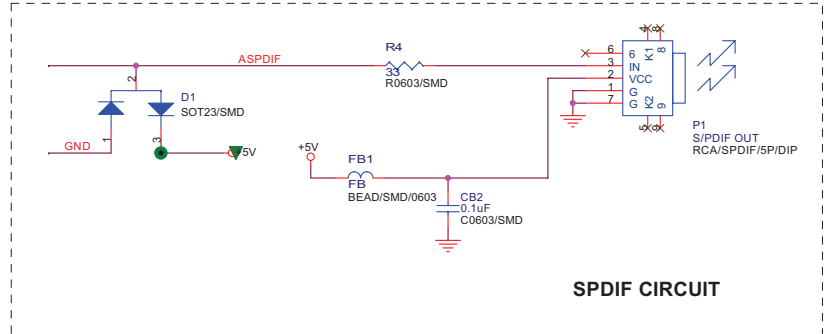
01. INDEX AND INTERFACE
02. POWER
03. TUNER
04. MT5111 ASIC
05. MT5351 ASIC
06. MT5351 PERIPHERAL
07. DDR MEMORY
08. NOR FLASH / JTAG / UART

NS : NON-STUFF

NAME	TYPE	DEVICE
+12V	POWER +12V	POWER SUPPLY
+5V	POWER +5V	POWER SUPPLY
+5V_tuner	POWER +5V	TUNER POWER
DV33_DM	POWER +3V3	MT5111 POWER
DV18	POWER +1V8	MT5111 POWER
DV33	POWER +3V3	MT5351 POWER
AV33	POWER +3V3	MT5351 ANALOG POWER
DV25	POWER +2V5	MT5351 DDR POWER
DV12	POWER +1V2	MT5351 POWER
GND	GROUND	GROUND



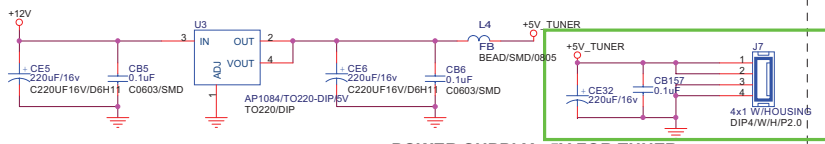
DIGITAL OUTPUT



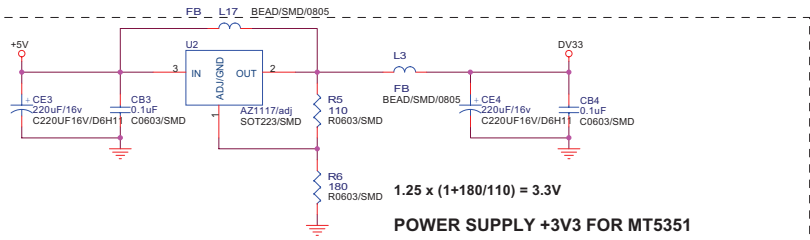
MediaTek Confidential

Title		INDEX	
Size	Document Number	Rev	1
Custom	MT5351RA-V2	TwinSon Chan	
Date:	Monday, February 20, 2006	Sheet	1 of 8

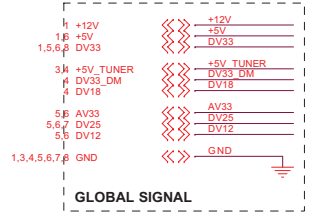
9V



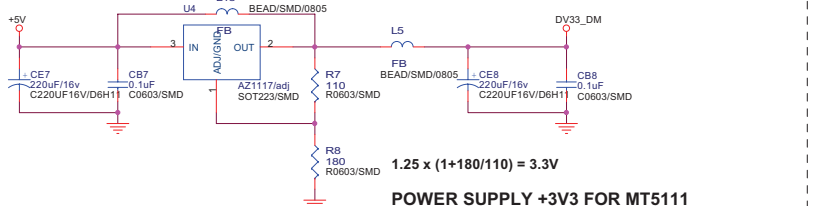
POWER SUPPLY +5V FOR TUNER



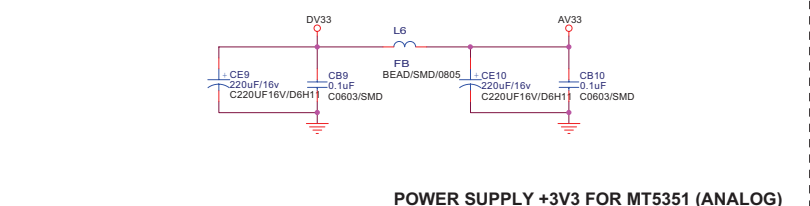
POWER SUPPLY +3V3 FOR MT5351



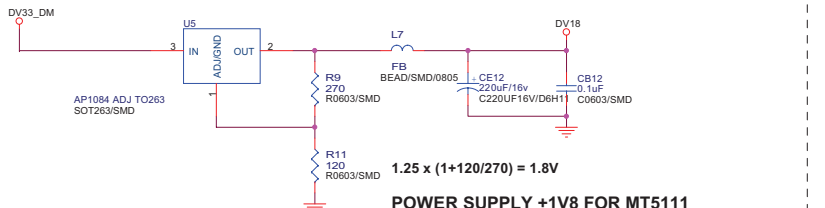
GLOBAL SIGNAL



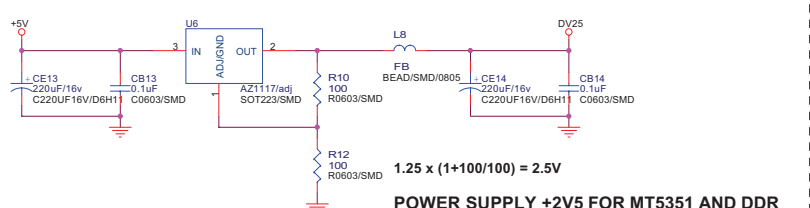
POWER SUPPLY +3V3 FOR MT5111



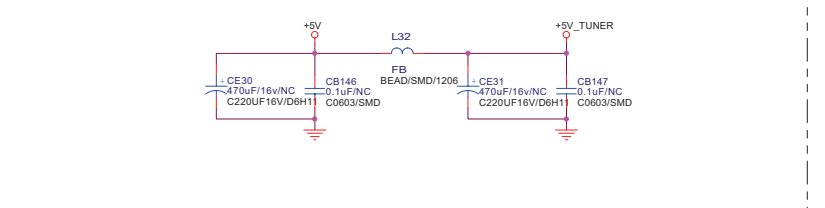
POWER SUPPLY +3V3 FOR MT5351 (ANALOG)



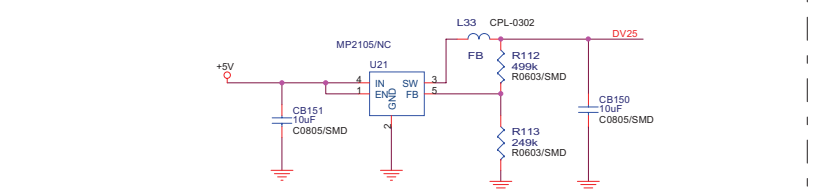
POWER SUPPLY +1V8 FOR MT5111



POWER SUPPLY +2V5 FOR MT5351 AND DDR



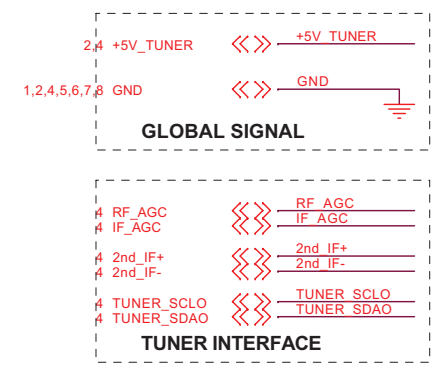
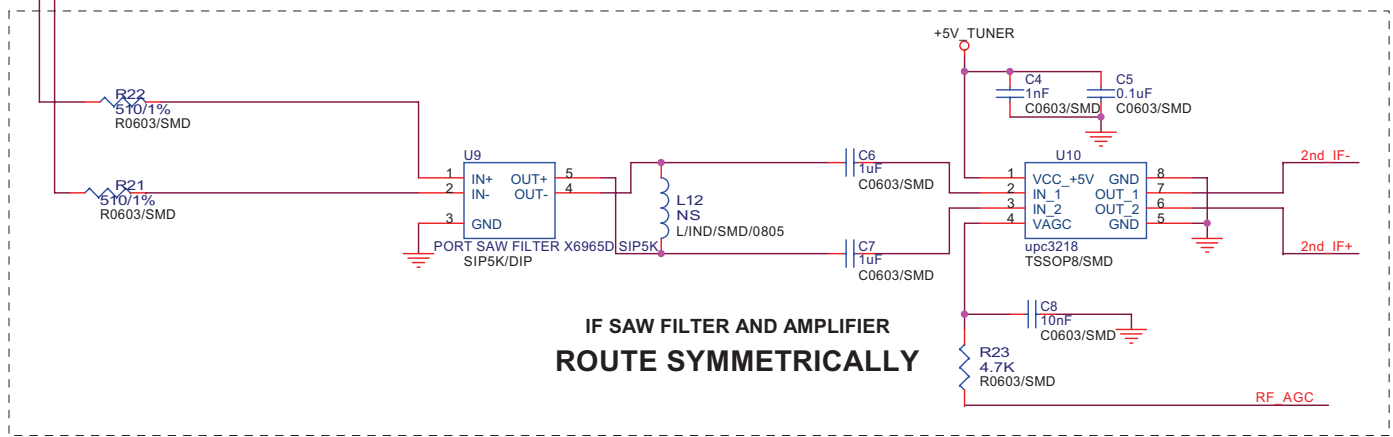
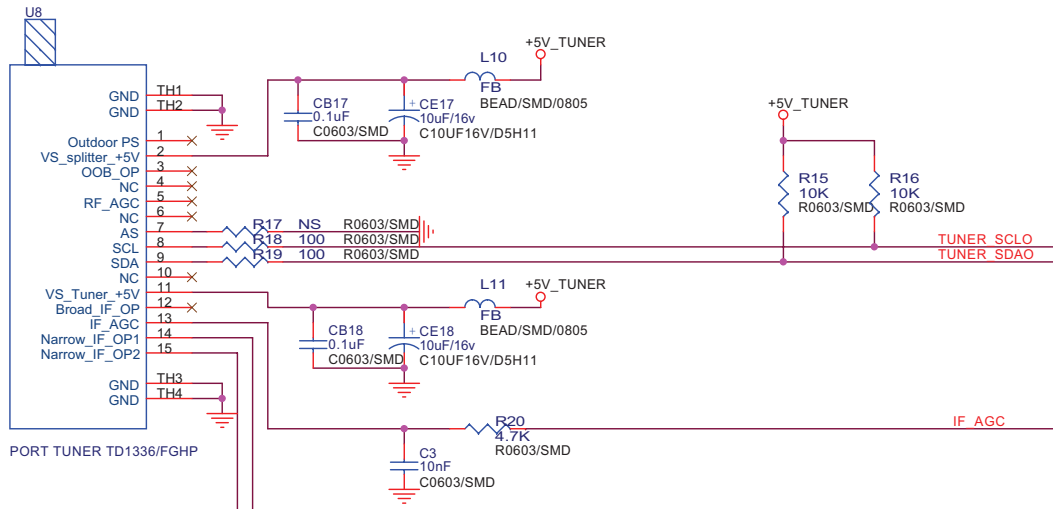
POWER SUPPLY +1V2 FOR MT5351



Compatible With U6

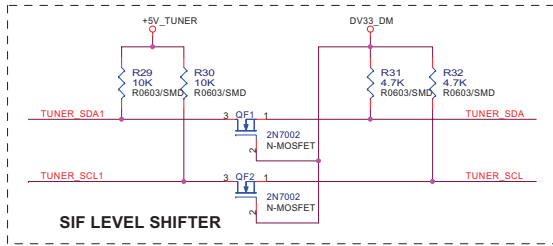
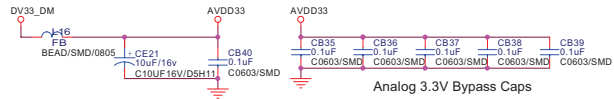
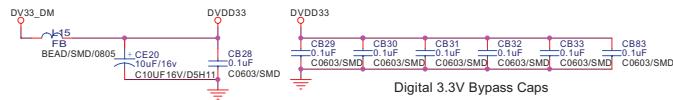
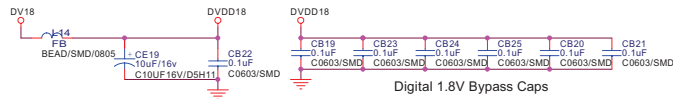
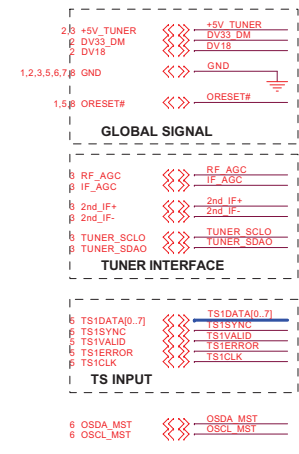
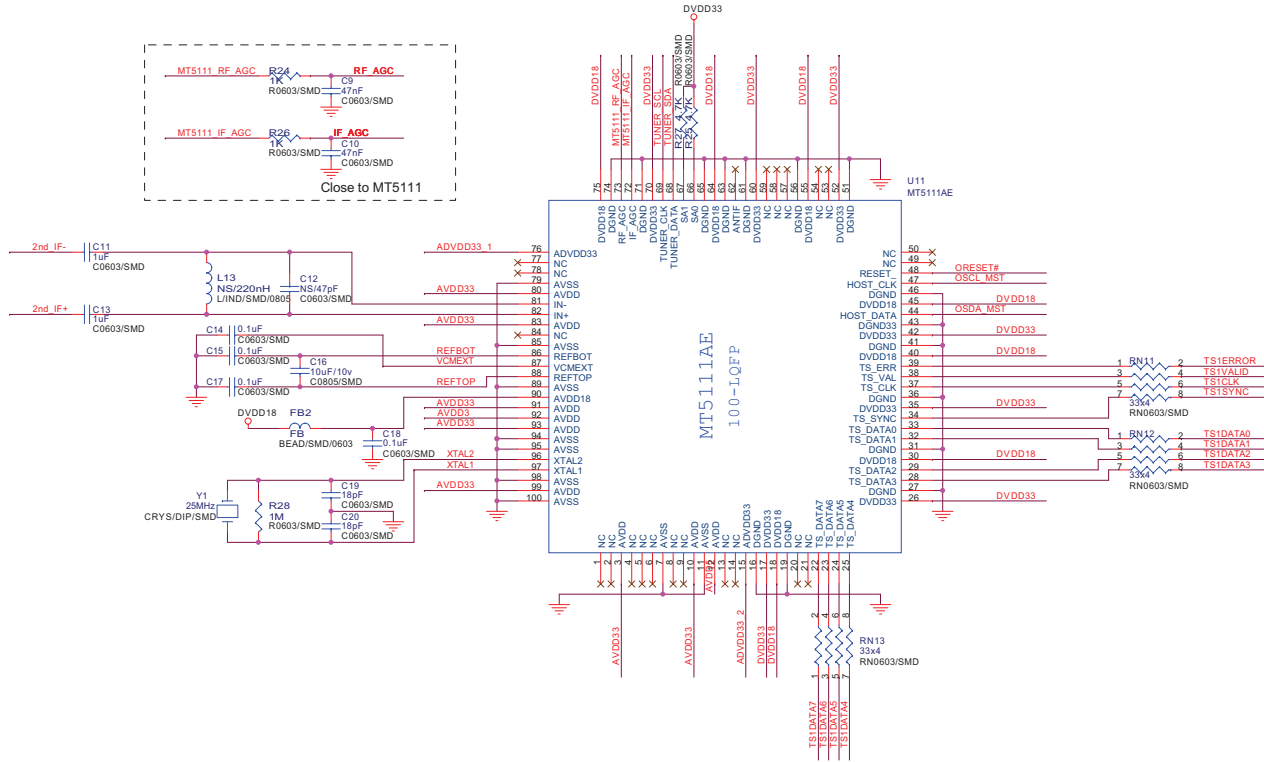
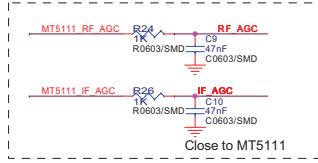
MediaTek Confidential

Title		POWER	
Size	Document Number	MT5351RA-V2	
Cus	pm	TwinSon Chan	
Date:	Monday, February 20, 2006	Sheet	2 of 8



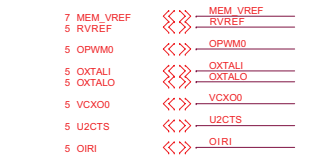
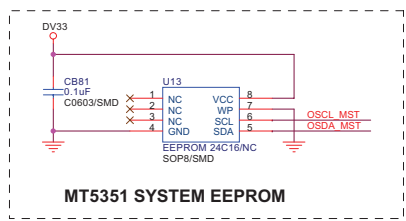
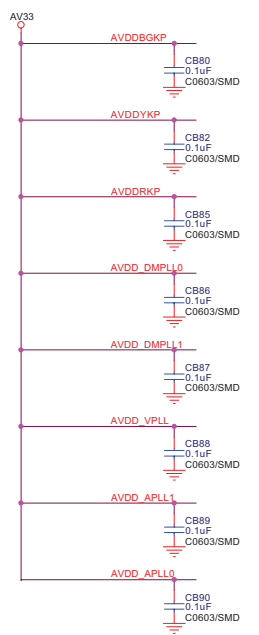
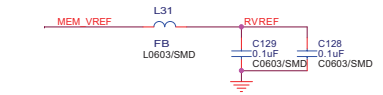
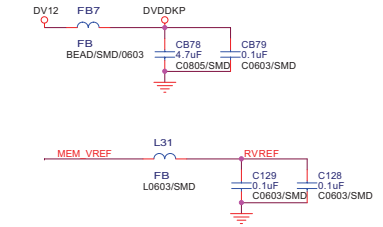
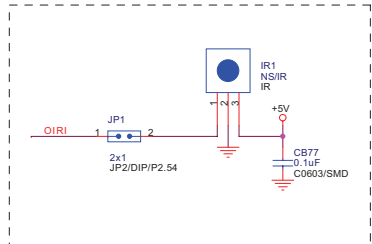
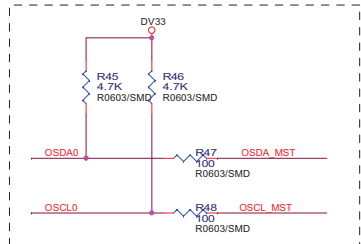
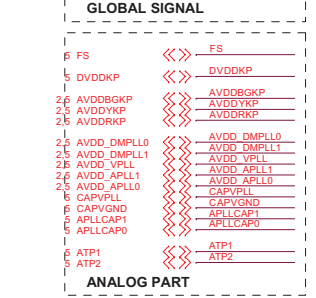
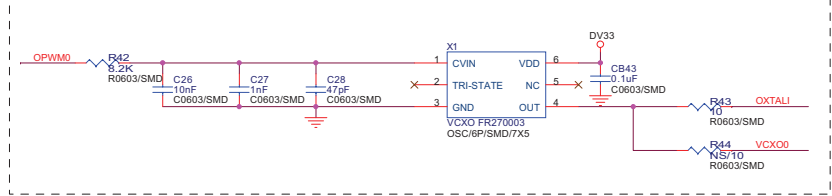
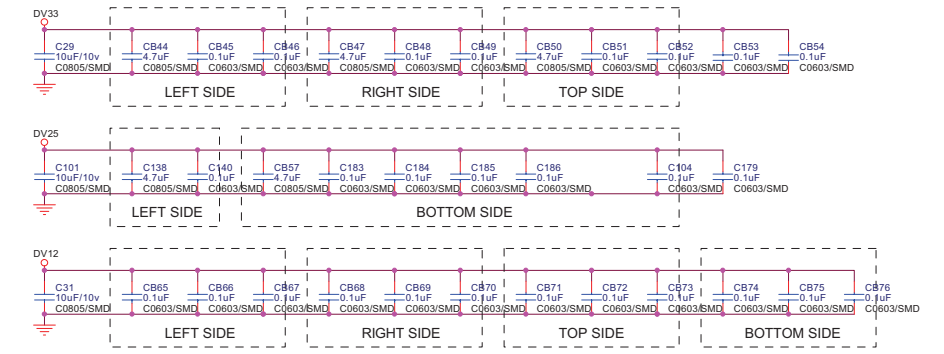
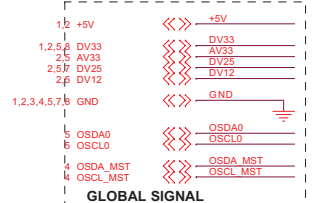
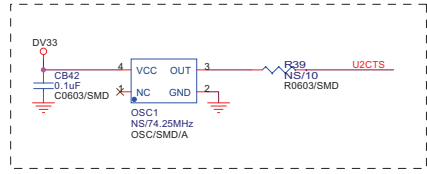
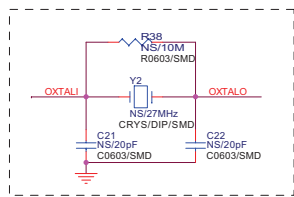
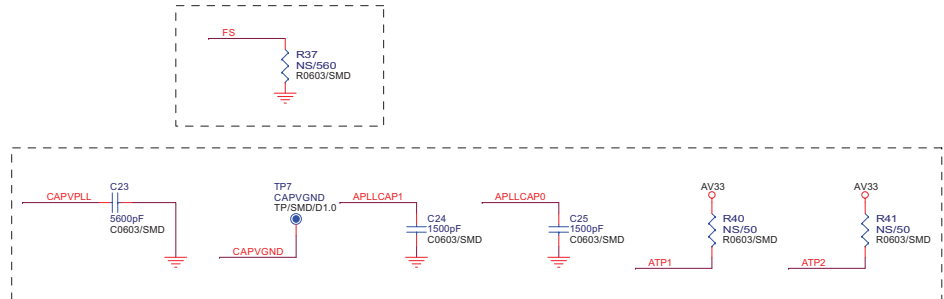
MediaTek Confidential

Title			
TUNER			
Size	Document Number	Rev	
Custom	MT5351RA-V2	1	
Date:	Monday, February 20, 2006	Sheet	3 of 8



MediaTek Confidential

File	MT5111 ASIC		
Size	Document Number	MT5351RA-V2	
C	Date	Monday, February 20, 2006	Sheet 4 of 8
		TwinSon Chan	Rev 1



MediaTek Confidential

Title			
MT5351 PERIPHERAL			
Size	Document Number	Rev	
Cuspm	MT5351RA-V2	TwinSon Chan 1	
Date:	Monday, February 20, 2006	Sheet	6 of 8

