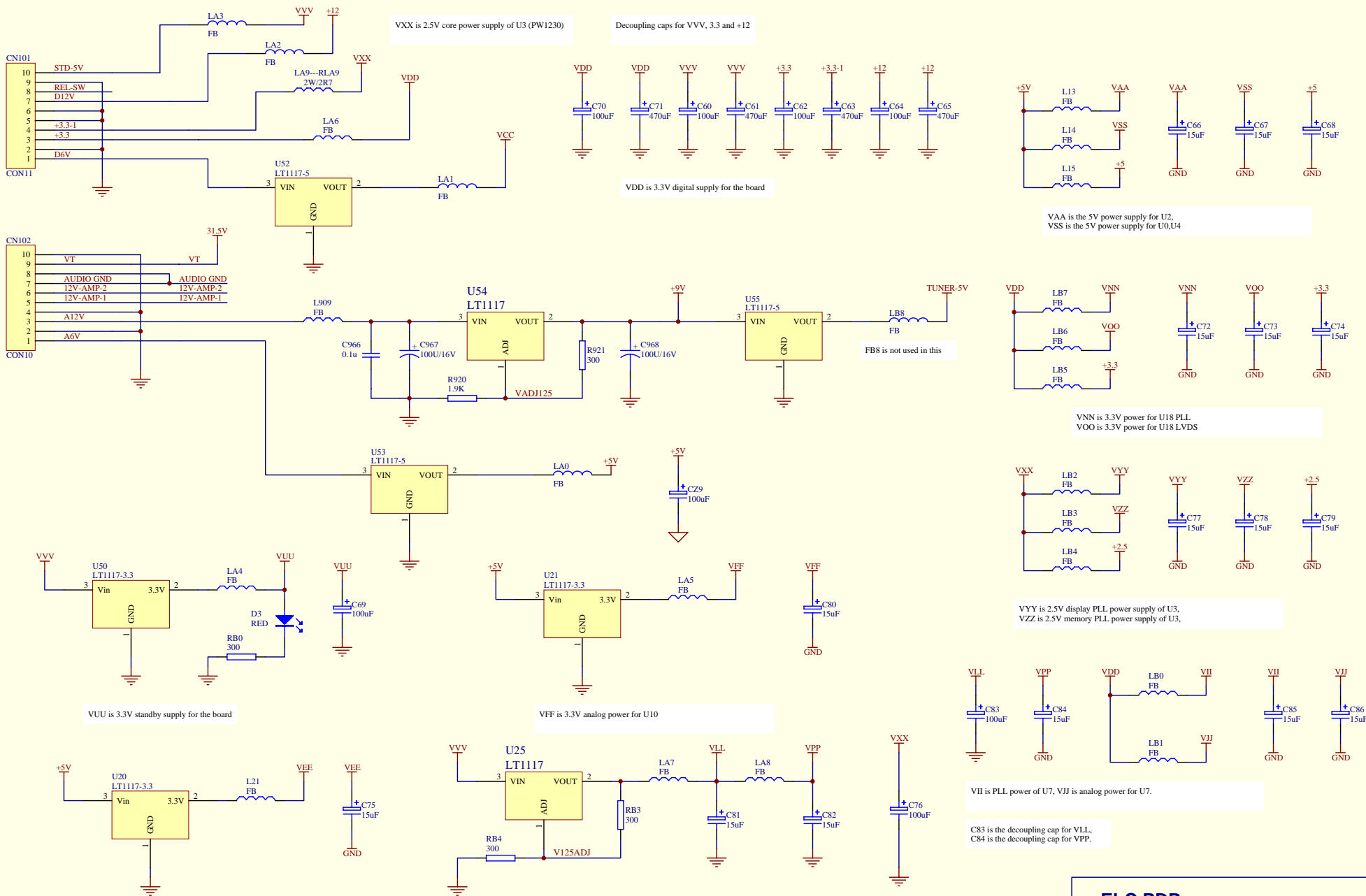
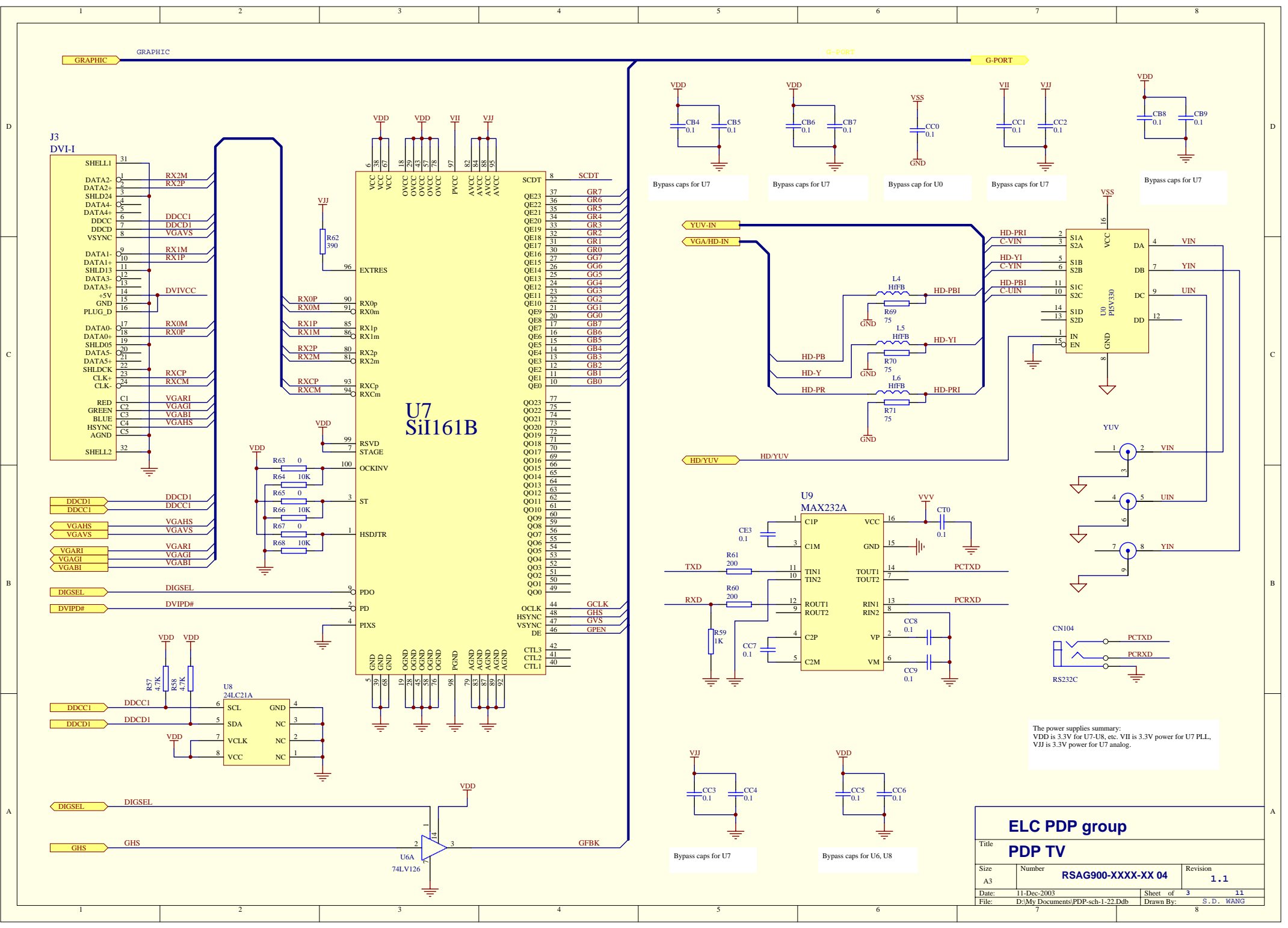


Title: **SCHTOPDP PW166B-3230-1230-9883-161**

Size	Number	Revision
B		
Date:	11-Dec-2003	Sheet of Scaler SCH TOP
File:	D:\My Documents\PDP-sch-1-22.Ddb	Drawn By: WANG SHAODUN

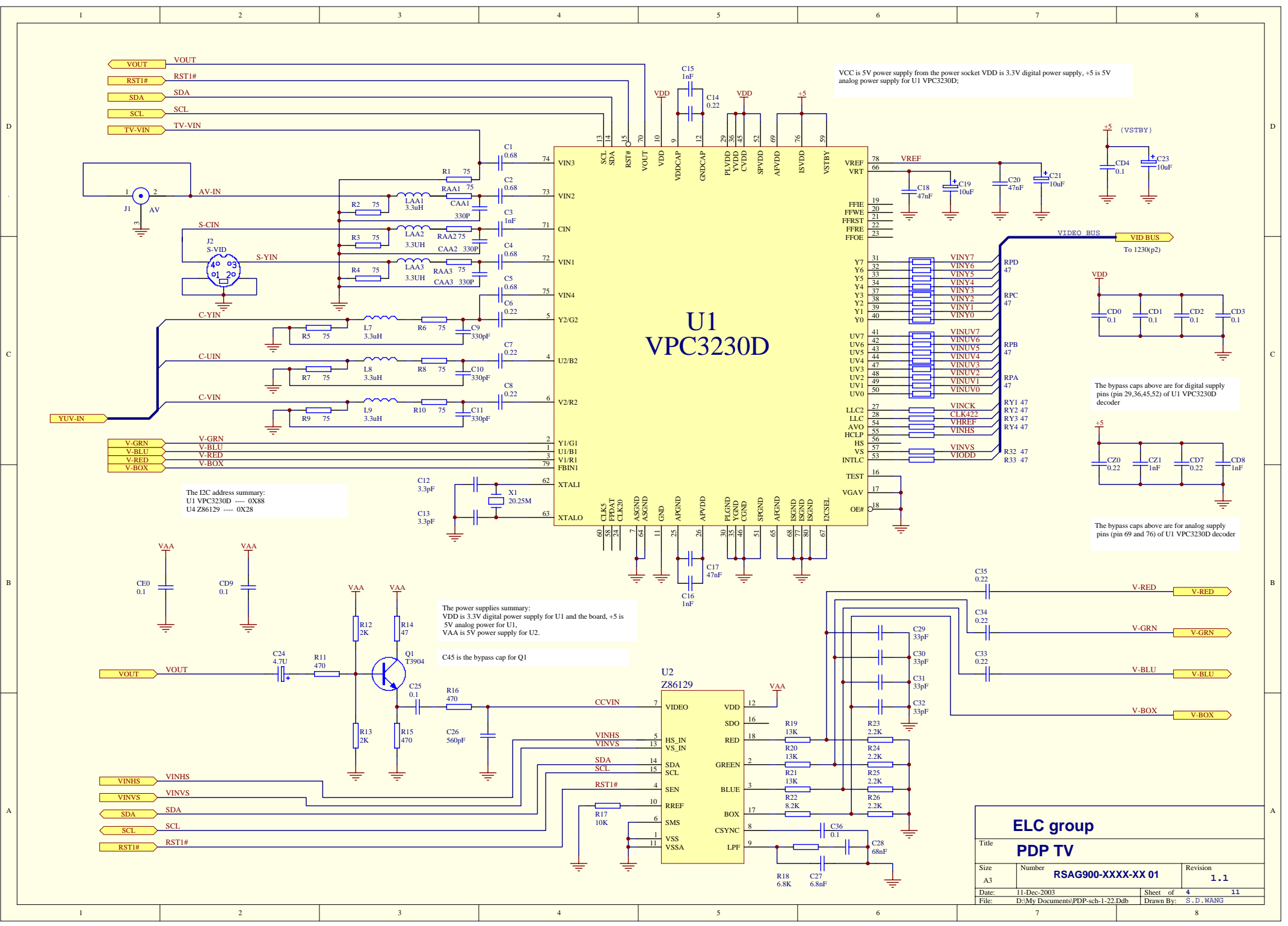


ELC PDP group		
PDP TV daigram		
Title		
Size	Number	Revision
A3	RSAG900-XXXX-XX 08	1.1
Date:	11-Dec-2003	Sheet of 1 11
File:	D:\My Documents\PDP-sch-1-22.Ddb	Drawn By:



The power supplies summary:
 VDD is 3.3V for U7-U8, etc. VJJ is 3.3V power for U7 PLL.
 VJJ is 3.3V power for U7 analog.

ELC PDP group		
PDP TV		
Title	Revision	
A3	Number	1.1
	RSAG900-XXXX-XX 04	
Date:	11-Dec-2003	Sheet of 3 11
File:	D:\My Documents\PDP-sch-1-22.Ddb	Drawn By: S. D. WANG



VCC is 5V power supply from the power socket VDD is 3.3V digital power supply, +5 is 5V analog power supply for U1 VPC3230D.

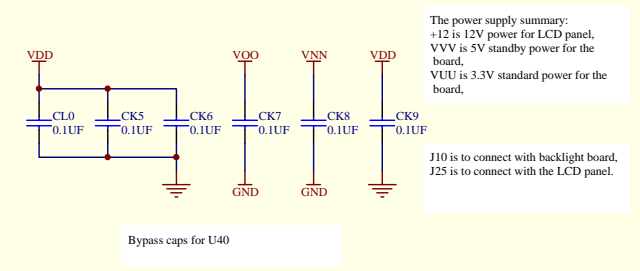
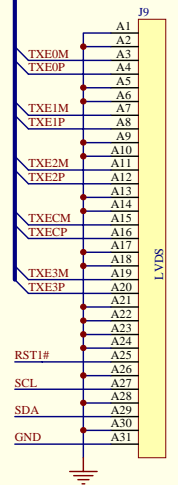
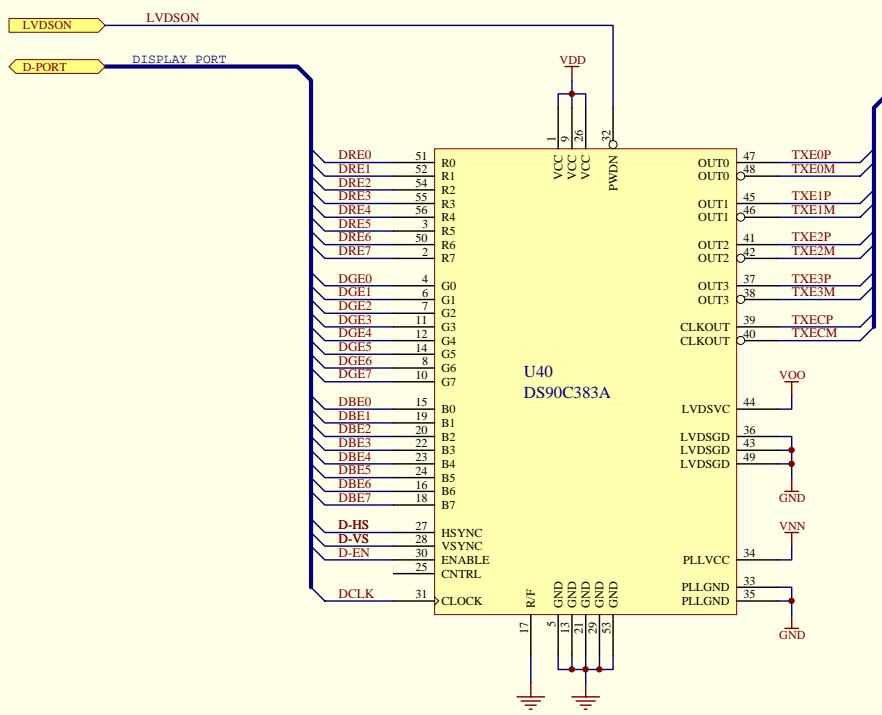
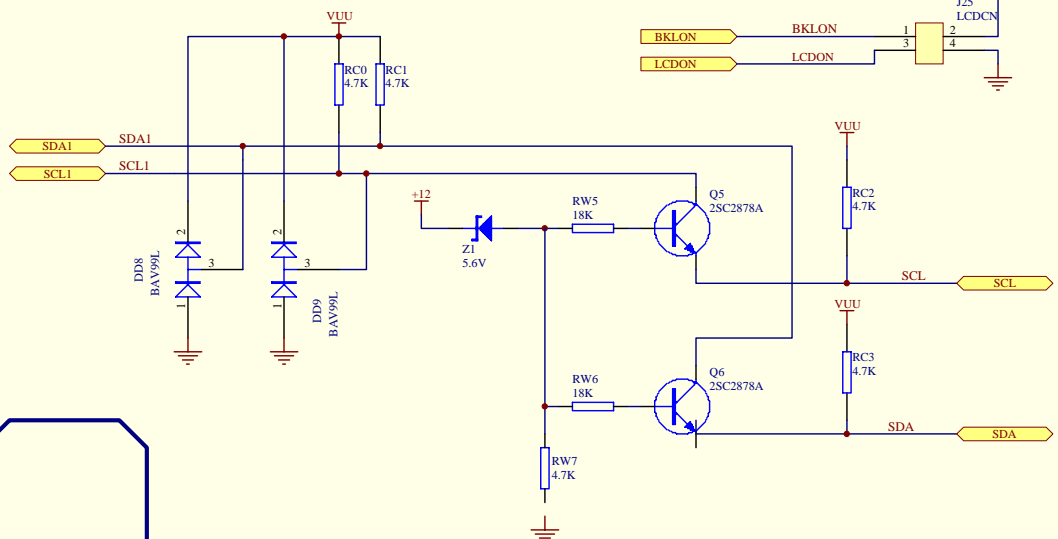
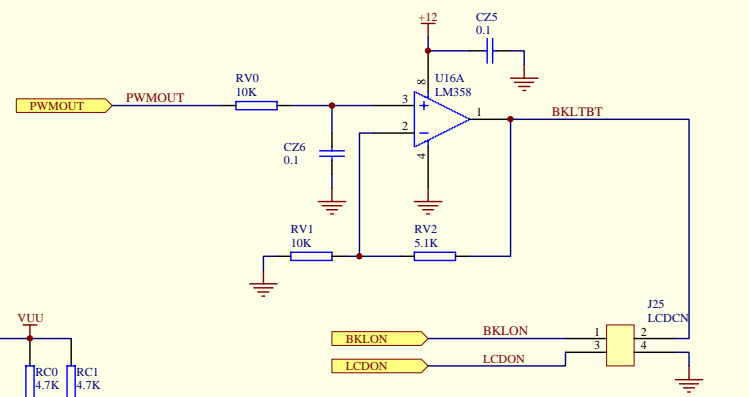
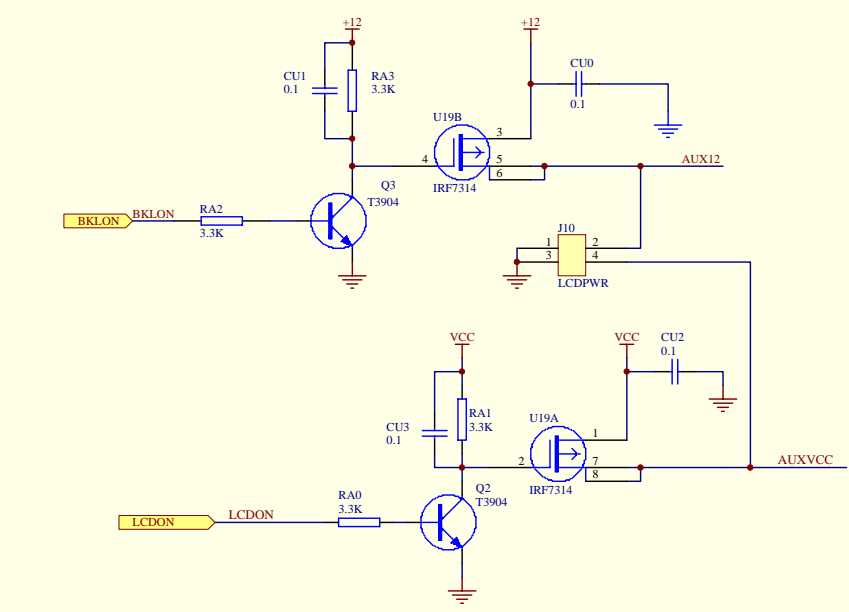
The I2C address summary:
 U1 VPC3230D ---- 0X88
 U4 Z86129 ---- 0X28

The power supplies summary:
 VDD is 3.3V digital power supply for U1 and the board, +5 is 5V analog power for U1, VAA is 5V power supply for U2.
 C45 is the bypass cap for Q1

The bypass caps above are for digital supply pins (pin 29,36,45,52) of U1 VPC3230D decoder

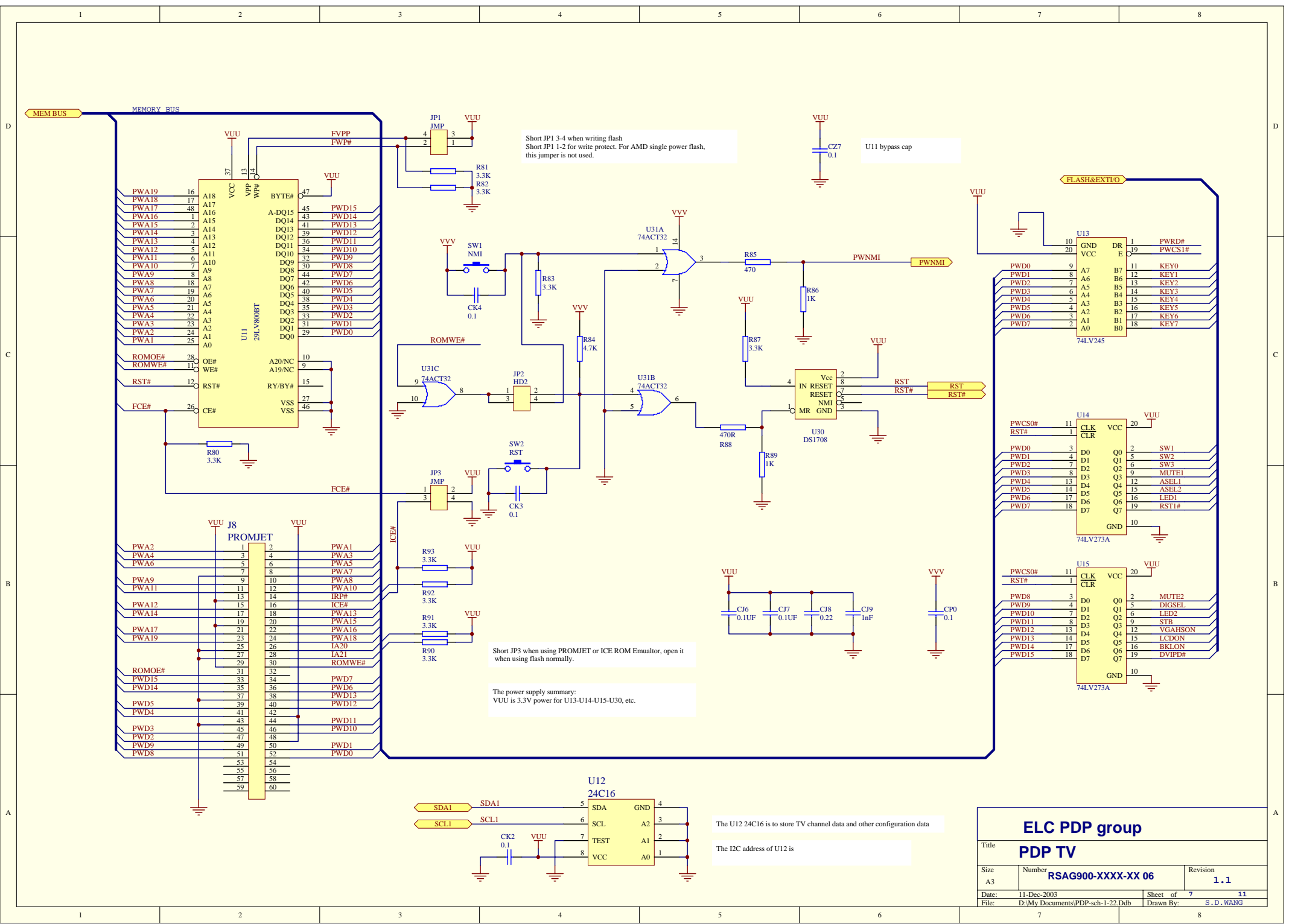
The bypass caps above are for analog supply pins (pin 69 and 76) of U1 VPC3230D decoder

ELC group		
PDP TV		
Title		
Size A3	Number RSAG900-XXXX-XX 01	Revision 1.1
Date: 11-Dec-2003	Sheet of 4 11	
File: D:\My Documents\PDP-sch-1-22.Ddb	Drawn By: S. D. WANG	



The power supply summary:
 +12 is 12V power for LCD panel,
 VVV is 5V standby power for the board,
 VUU is 3.3V standard power for the board,

ELC PDP group		
PDP TV		
Title	Number	Revision
A3	RSAG900-XXXX-XX 07	1.1
Date:	11-Dec-2003	Sheet of 9 11
File:	D:\My Documents\PDP-sch-1-22.Ddb	Drawn By:



Short JP1 3-4 when writing flash
Short JP1 1-2 for write protect. For AMD single power flash, this jumper is not used.

U11 bypass cap

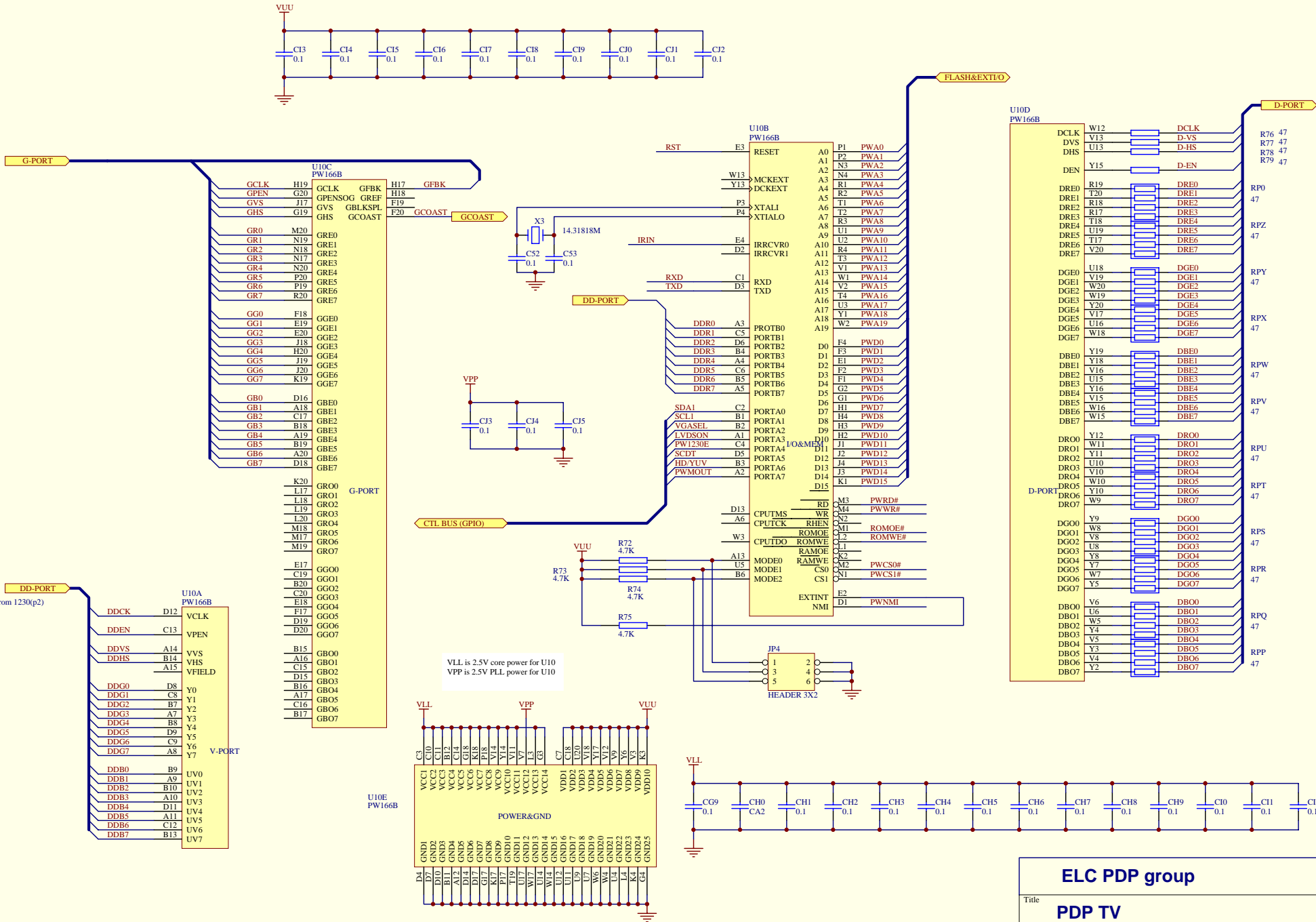
Short JP3 when using PROMJET or ICE ROM Emulator, open it when using flash normally.

The power supply summary:
VUU is 3.3V power for U13-U14-U15-U30, etc.

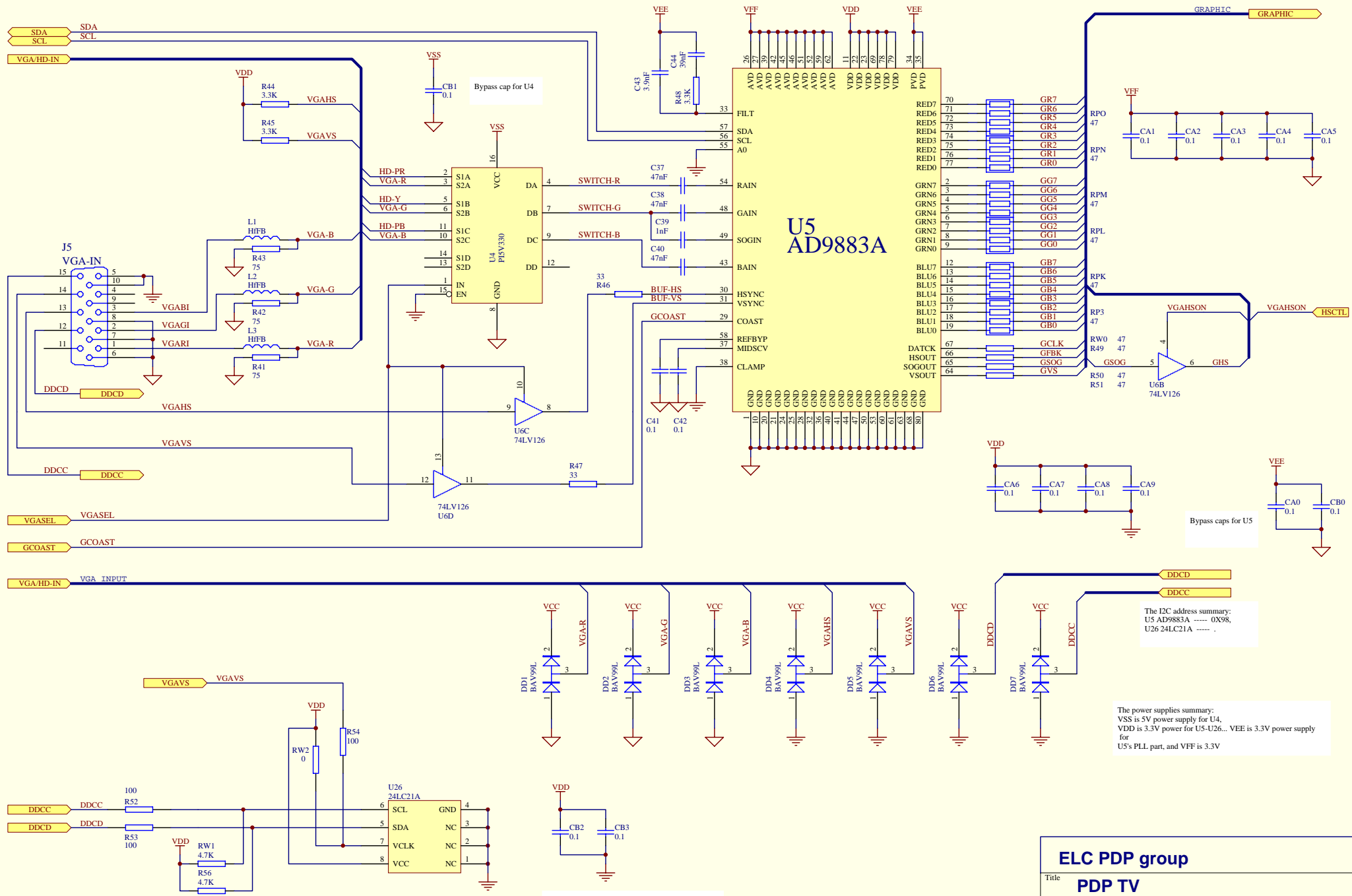
The U12 24C16 is to store TV channel data and other configuration data

The I2C address of U12 is

ELC PDP group		
PDP TV		
Title	Number	Revision
	RSAG900-XXXX-XX 06	1.1
Size	Date:	Sheet of
A3	11-Dec-2003	7
File:	D:\My Documents\PDP-sch-1-22.Ddb	Drawn By: S. D. WANG



ELC PDP group		
PDP TV		
Title		
Size	Number	Revision
A3		1.1
Date:	11-Dec-2003	Sheet of 6
File:	D:\My Documents\PDP-sch-1-22.Ddb	Drawn By:



**U5
AD9883A**

The I2C address summary:
 U5 AD9883A ----- 0X98,
 U26 24LC21A ----- .

The power supplies summary:
 VSS is 5V power supply for U4,
 VDD is 3.3V power for U5-U26... VEE is 3.3V power supply
 for U5's PLL part, and VFF is 3.3V

ELC PDP group		
PDP TV		
Title		
Size	Number	Revision
A3	RSAG900-XXXX-XX 03	1 . 1
Date:	11-Dec-2003	Sheet of 2 11
File:	D:\My Documents\PDP-sch-1-22.Ddb	Drawn By:

D

C

B

A

D

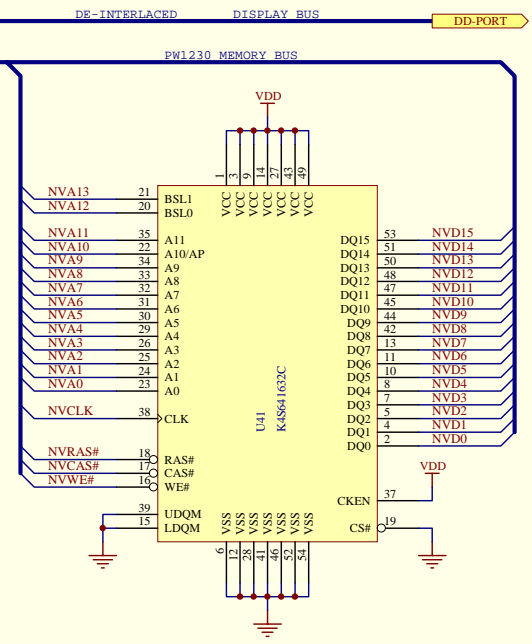
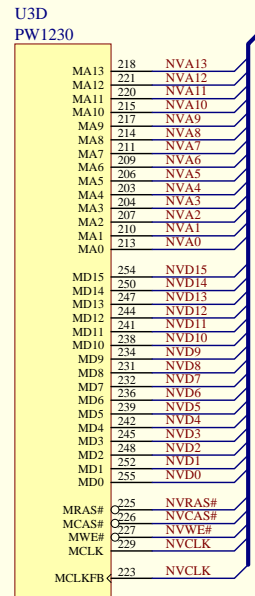
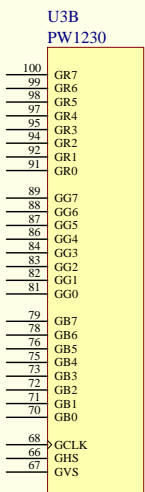
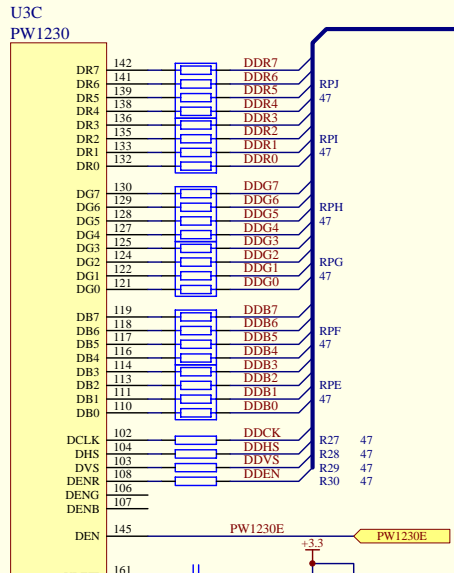
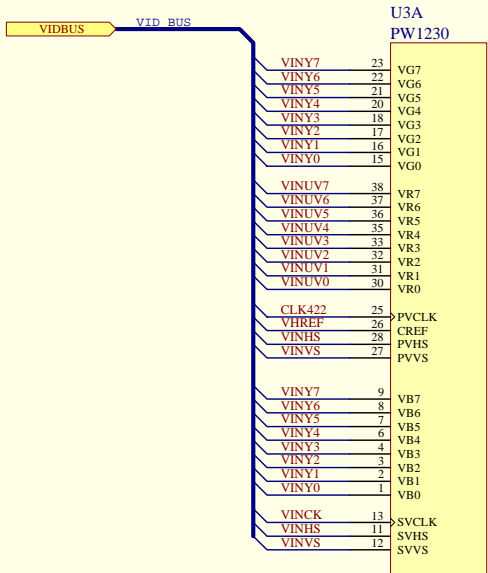
C

B

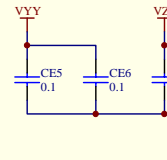
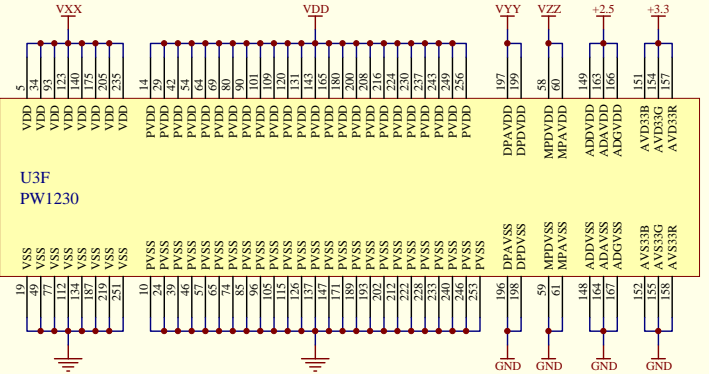
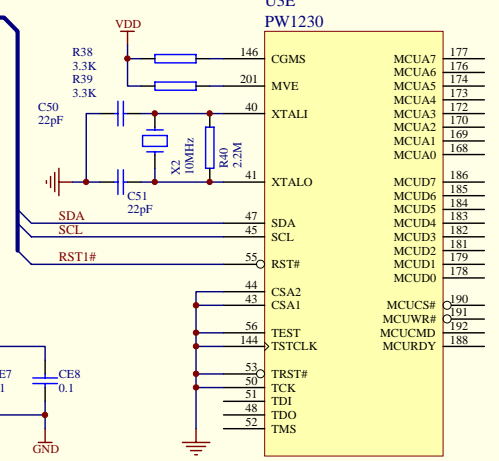
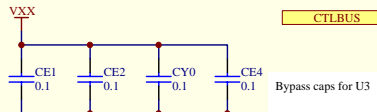
A

1 2 3 4 5 6 7 8

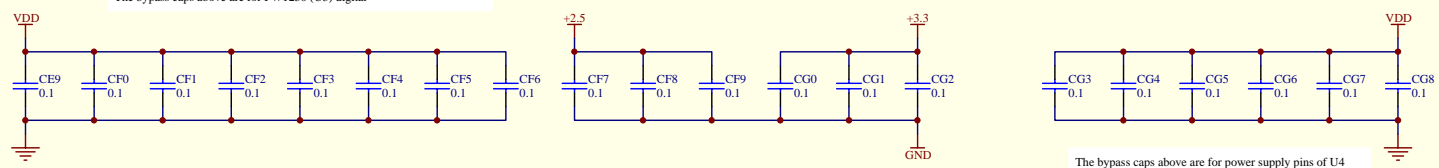
1 2 3 4 5 6 7 8



The I2C address of U3 PW1230 is 0X60



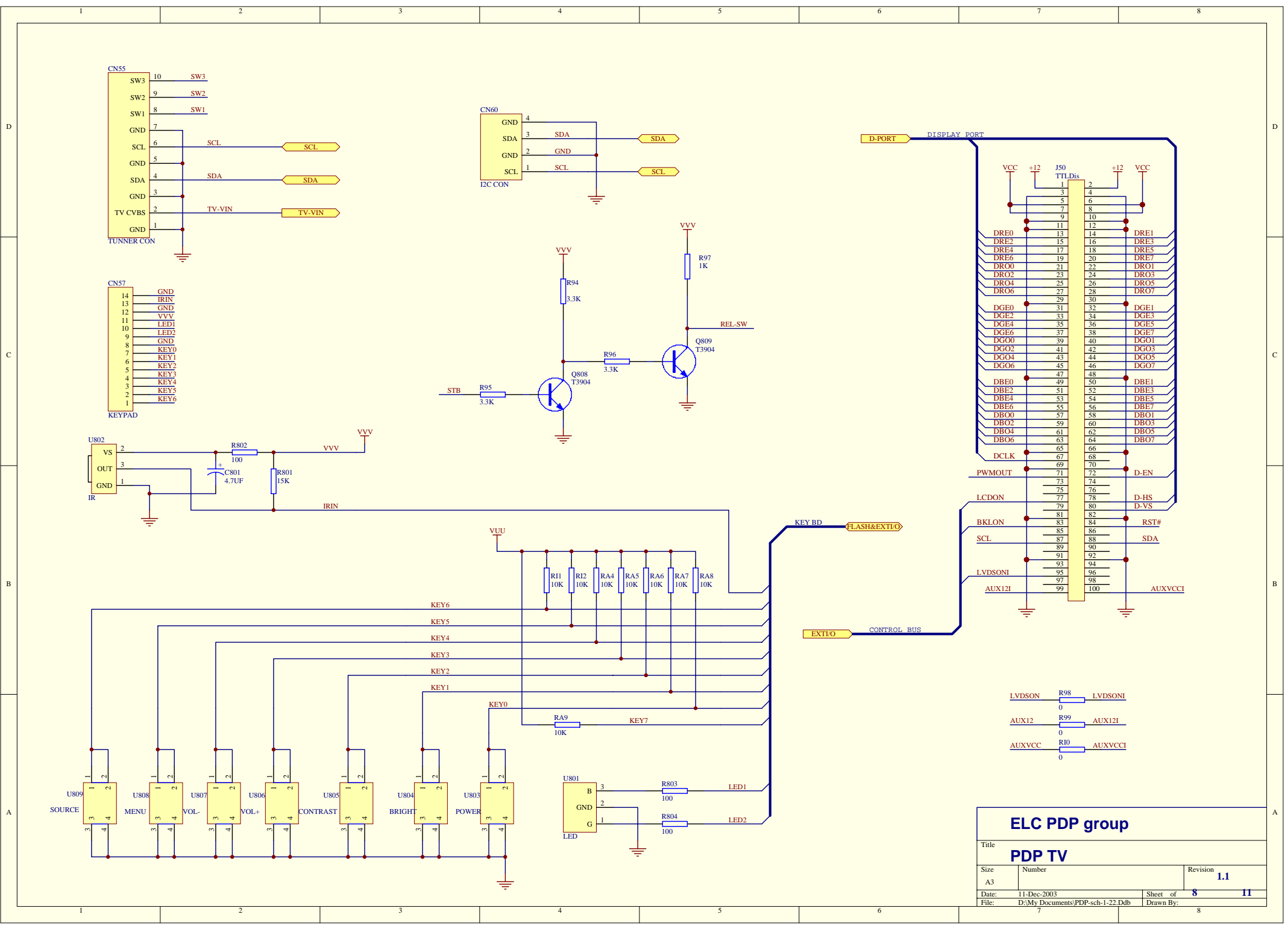
The power supplies summary:
 VDD is 3.3V power for U3, U4, etc.
 +3.3 is 3.3V analog supply for U3.
 VXX is 2.5V digital supply for U3.
 VYY is 2.5V D-PLL supply for U3.
 VZZ is 2.5V M-PLL supply for U3.



The bypass caps above are for power supply pins of U4

The bypass caps above are for PW1230 (U3) digital

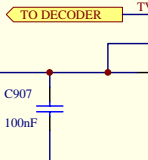
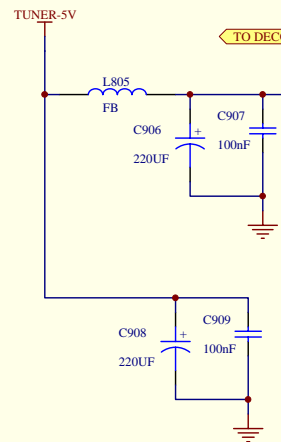
ELC group		
PDP TV		
Title	Revision	
Size	Number	Revision
A3	RSAG900-XXXX-XX 02	1.1
Date:	11-Dec-2003	Sheet of 5 11
File:	D:\My Documents\PDP-sch-1-22.Dxb	Drawn By:



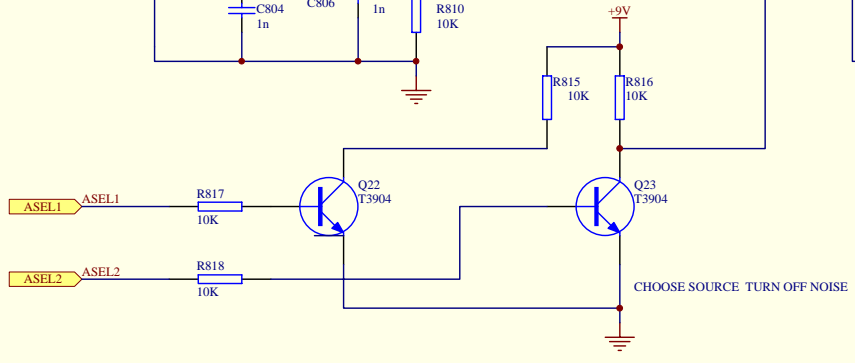
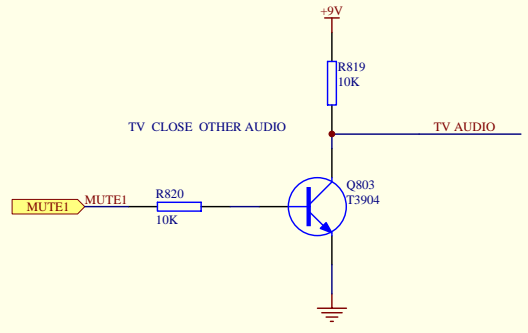
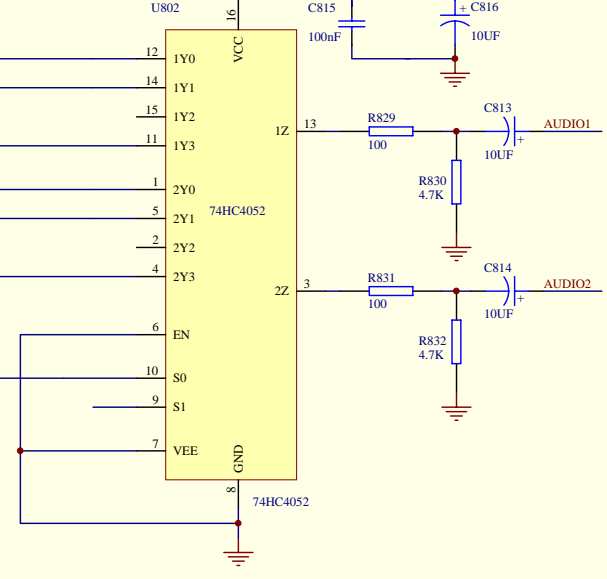
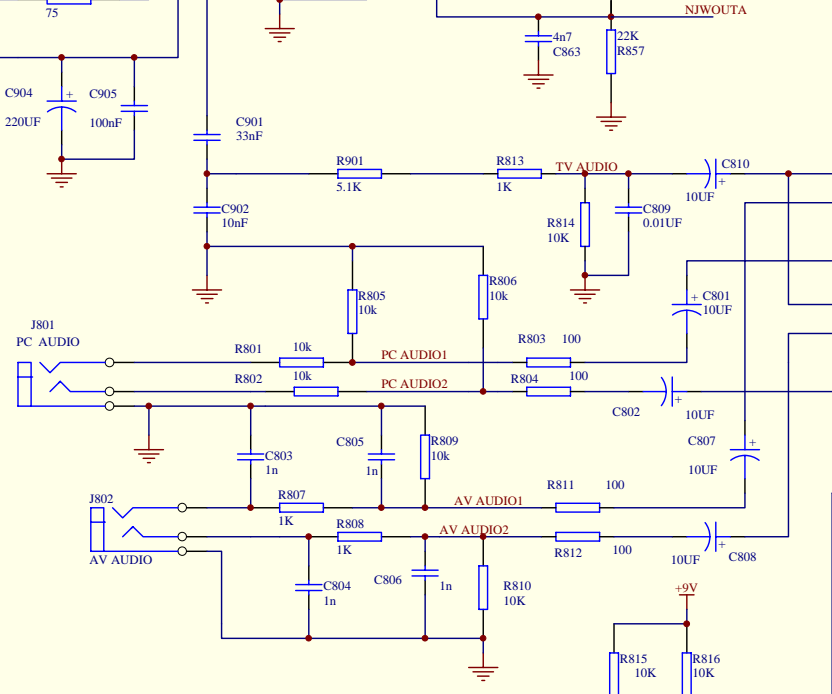
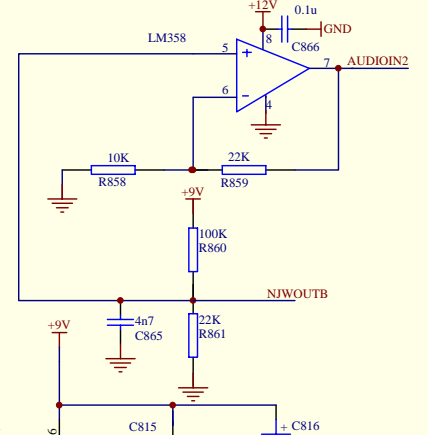
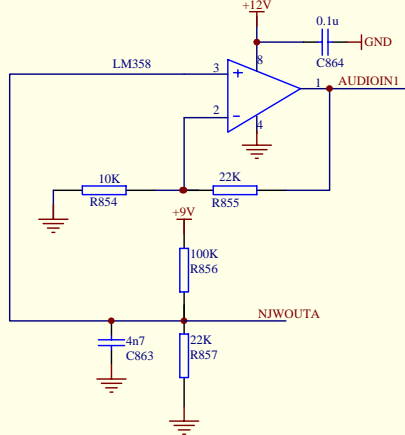
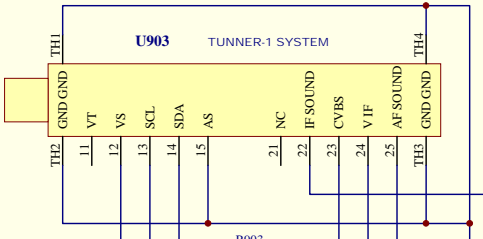
ELC PDP group		
Title PDP TV		
Size A3	Number	Revision 1.1
Date: 11-Dec-2003	Sheet of 8	11
File: D:\My Documents\PDP-sch-1-22.Ddb	Drawn By:	

LVDS0N1	R98	LVDS0N1
0		
AUX121	R99	AUX121
0		
AUXVCC1	R10	AUXVCC1
0		

TUNNER-1 SYSTEM
 USE FI1256 FOR PAL FORMAT.
 USE FI1236 FOR NTSC FORMAT.



	MUTE1	AUX0	AUX1
TV	0	1	1
VIDEO	1	0	1
PC	1	1	0



ELC PDP group PDP TV		
Title	RSAG7XXXX	1.1
Size	Number 10	Revision 11
Date:	21-Nov-2003	Sheet of
File:	C:\WINDOWS\Desktop\today\sch.ddb	Drawn By:

